

US00D404921S

United States Patent [19]
Smith

[11] **Patent Number: Des. 404,921**
[45] **Date of Patent: **Feb. 2, 1999**

[54] **TOOTHBRUSH**

5,078,732 1/1992 Cenicerros 606/235
5,138,737 8/1992 Thomas 15/143.1
5,623,739 4/1997 Thompson 15/167.1

[76] Inventor: **Robert R. Smith**, c/o 9201 Sunset Blvd., Suite 200, West Hollywood, Calif. 90069

[**] Term: **14 Years**

Primary Examiner—Alan P. Douglas
Assistant Examiner—Lavone D. Tabor
Attorney, Agent, or Firm—Finnegan, Henderson, Farabow, Garrett & Dunner, L.L.P.

[21] Appl. No.: **85,731**

[57] **CLAIM**

[22] Filed: **Mar. 30, 1998**

The ornamental design for a toothbrush, as shown and described.

[51] **LOC (6) Cl.** **04-02**

[52] **U.S. Cl.** **D4/104; D4/129**

[58] **Field of Search** D4/104-112, 129, D4/134, 138; 15/143.1, 159.1, 167.1; 601/139, 141; 606/235

DESCRIPTION

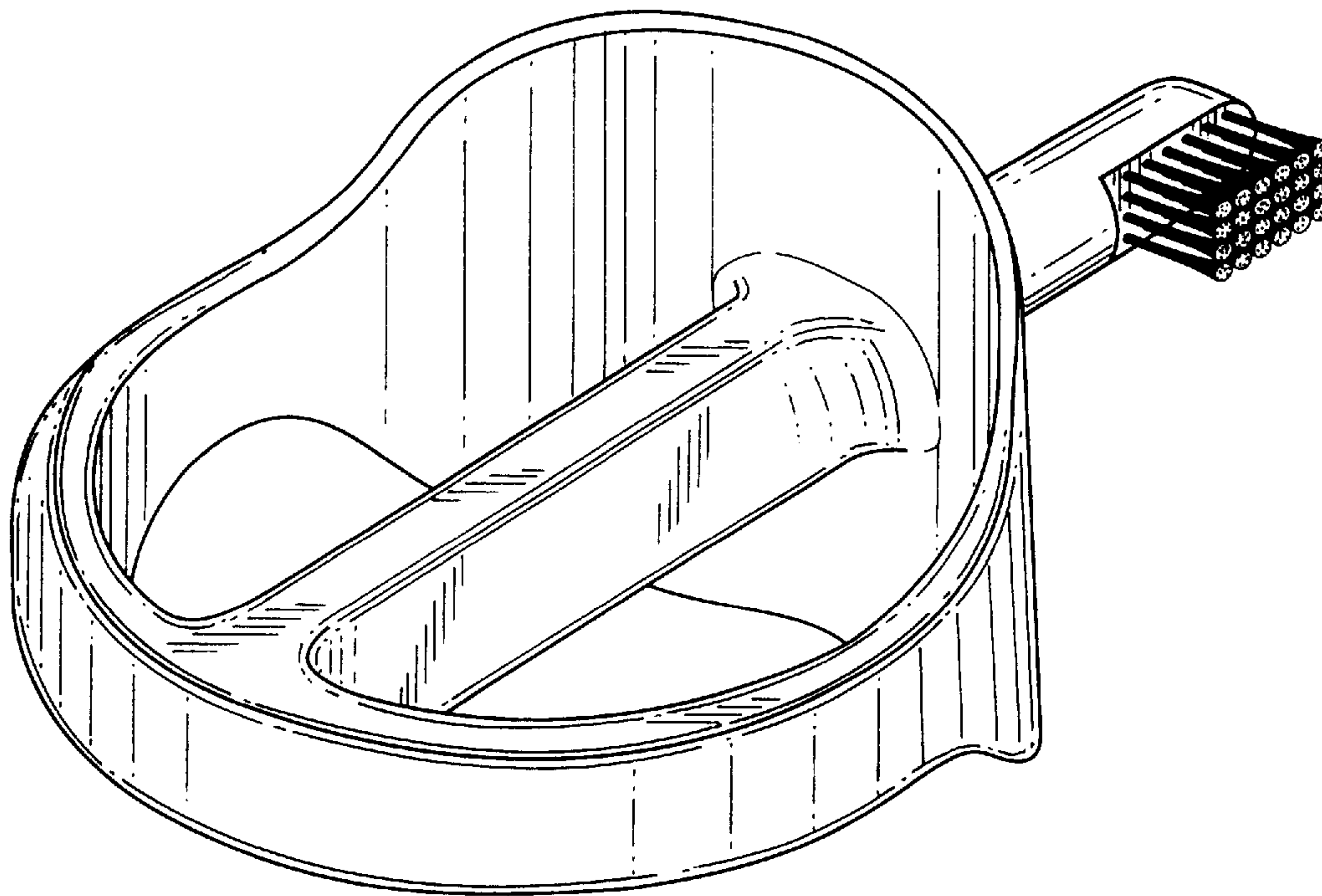
FIG. 1 is a perspective view of a toothbrush embodying my design;
FIG. 2 is a top plan view thereof, the bottom plan view being a mirror image thereof;
FIG. 3 is a front elevational view thereof;
FIG. 4 is a rear elevational view thereof;
FIG. 5 is a left side elevational view thereof; and,
FIG. 6 is a right side elevational view thereof.

[56] **References Cited**

U.S. PATENT DOCUMENTS

D. 229,903	1/1974	Cenicerros	D4/107
D. 301,937	7/1989	Thompson	D4/104
D. 389,312	1/1998	Porter	D4/104
4,621,387	11/1986	Noser	15/167.1
4,654,921	4/1987	Dinner	15/167.1

1 Claim, 3 Drawing Sheets



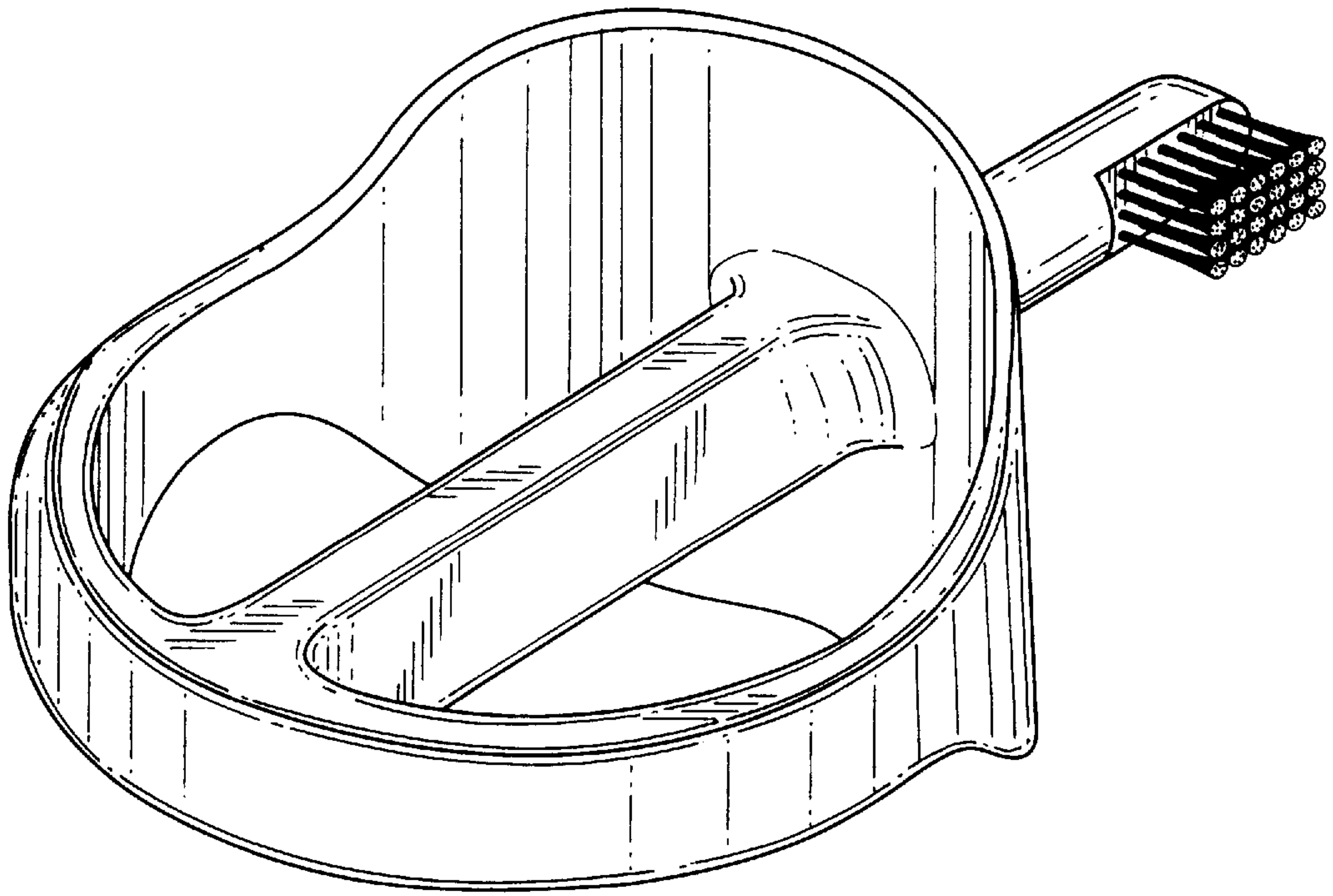


FIG. 1

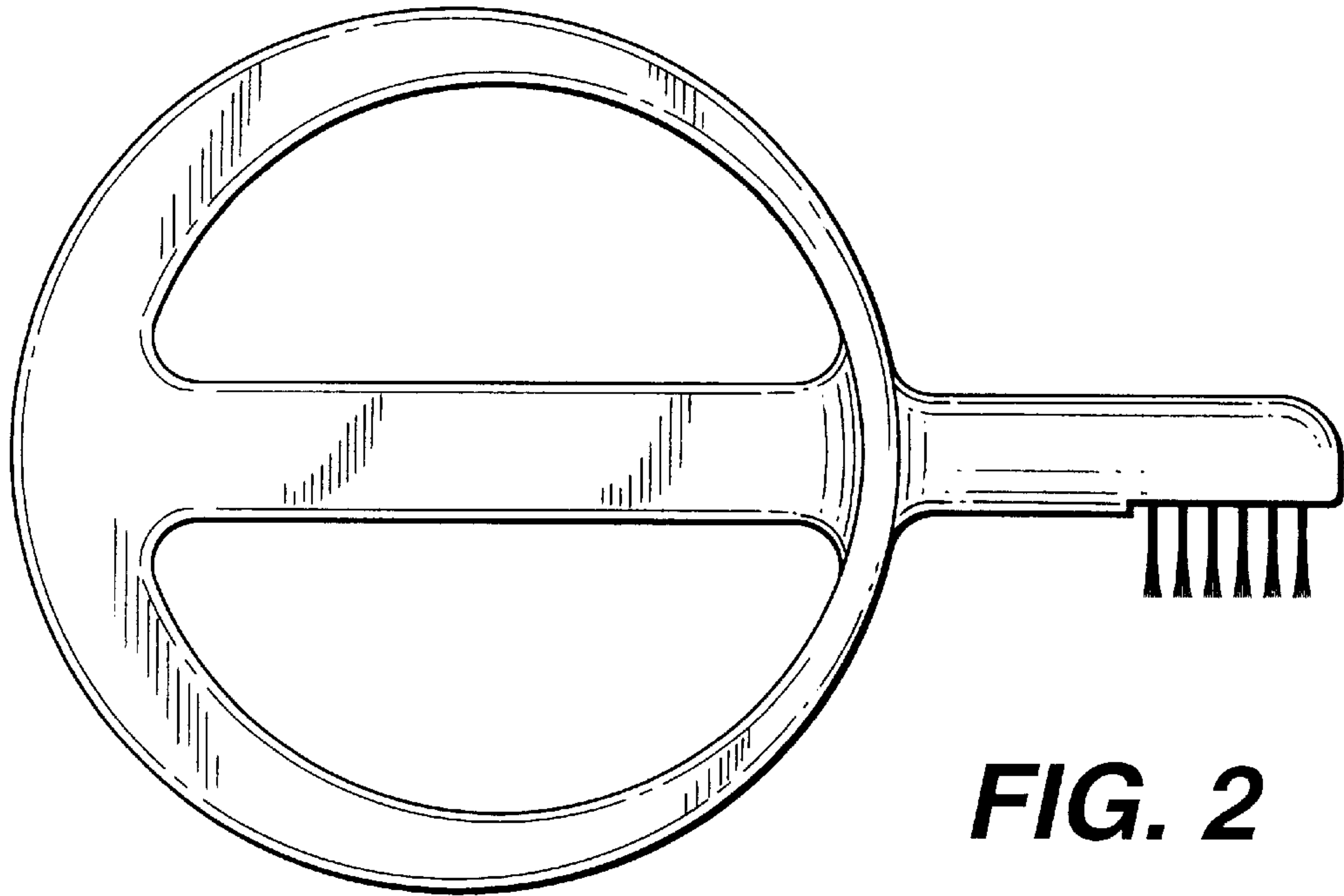


FIG. 2

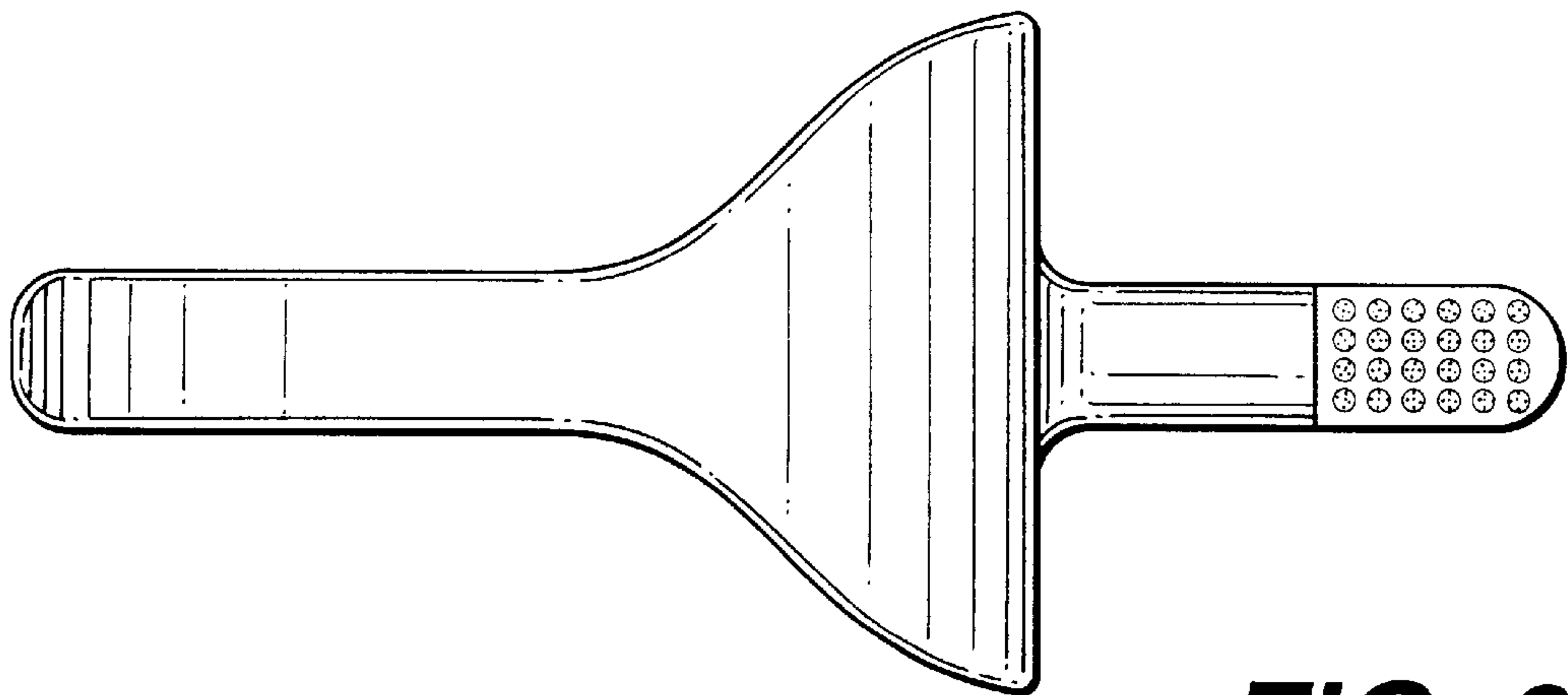


FIG. 3

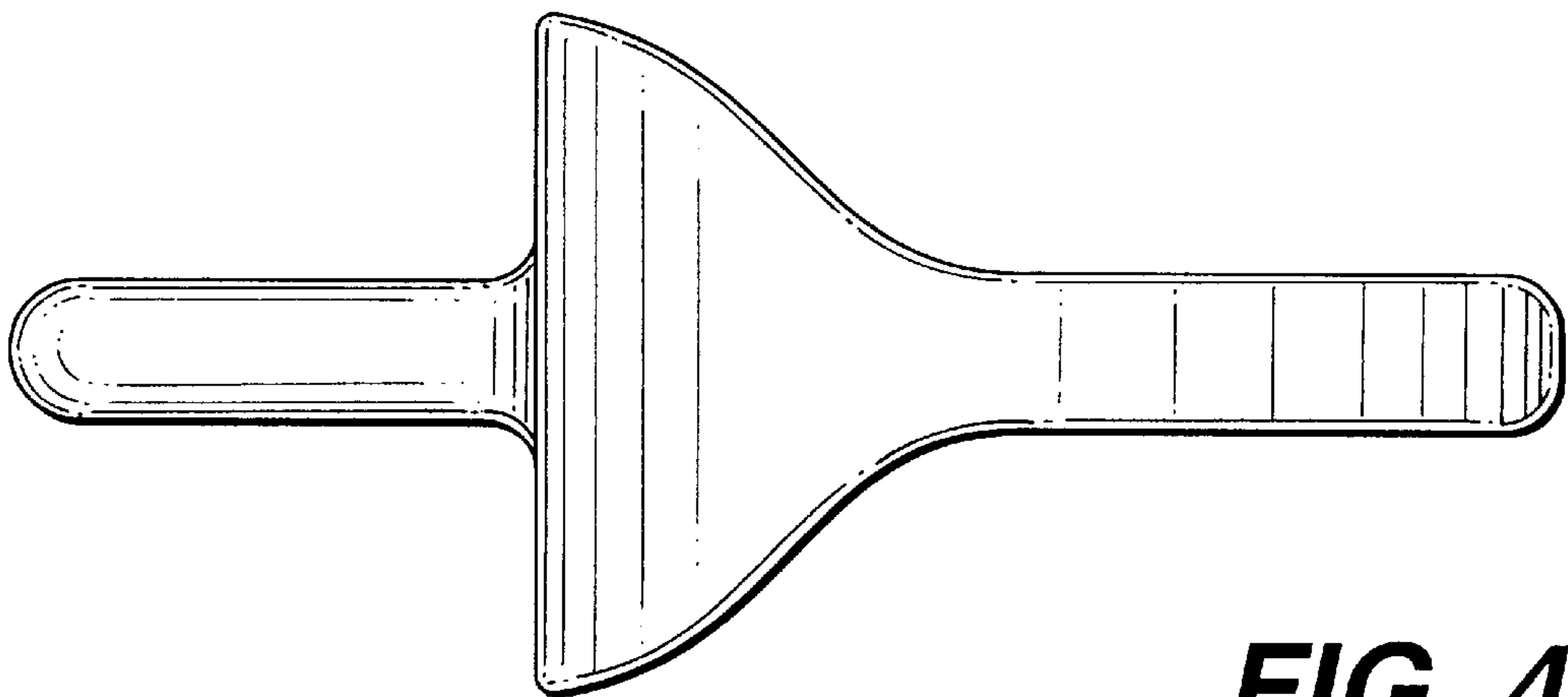


FIG. 4

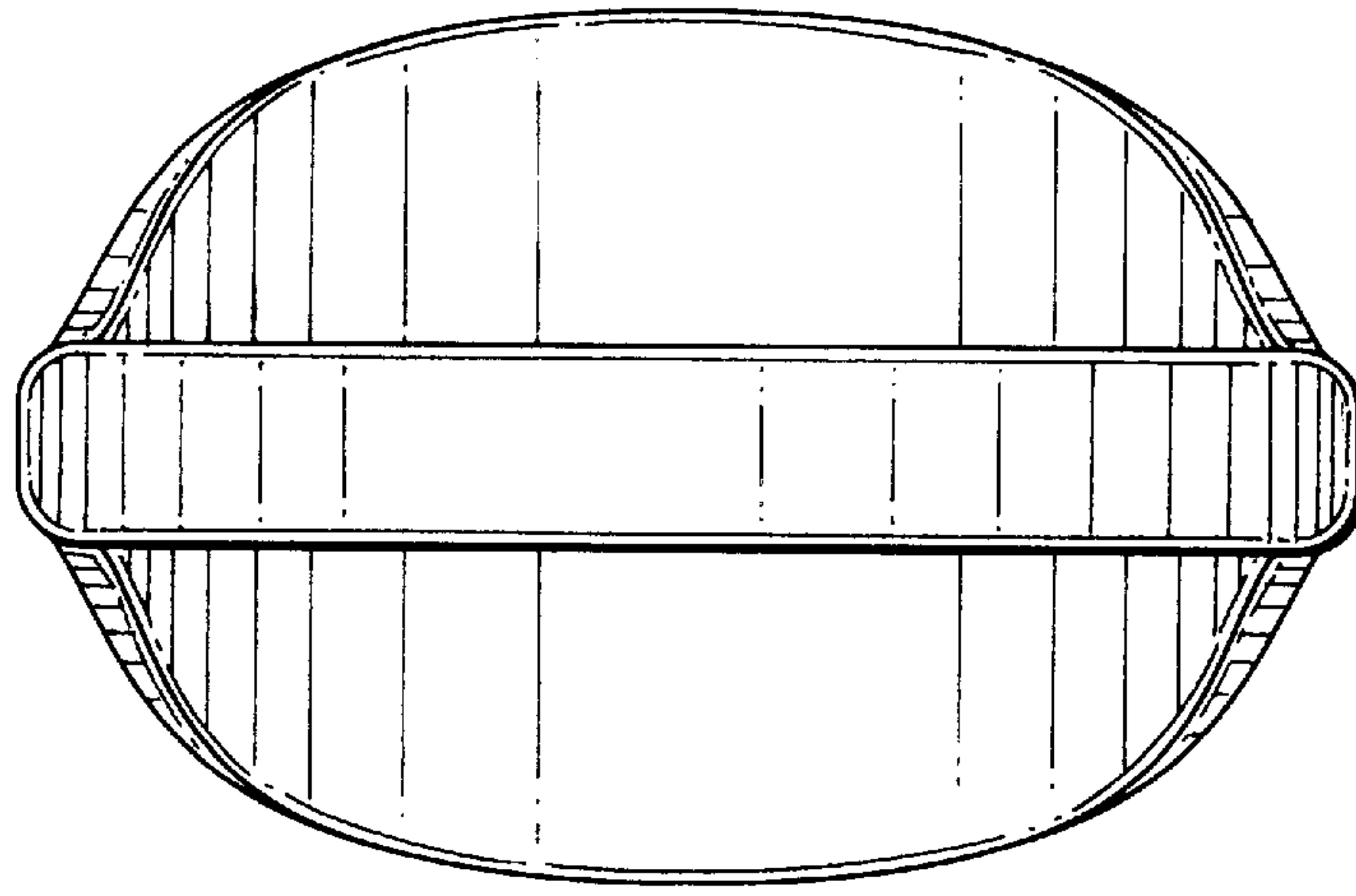


FIG. 5

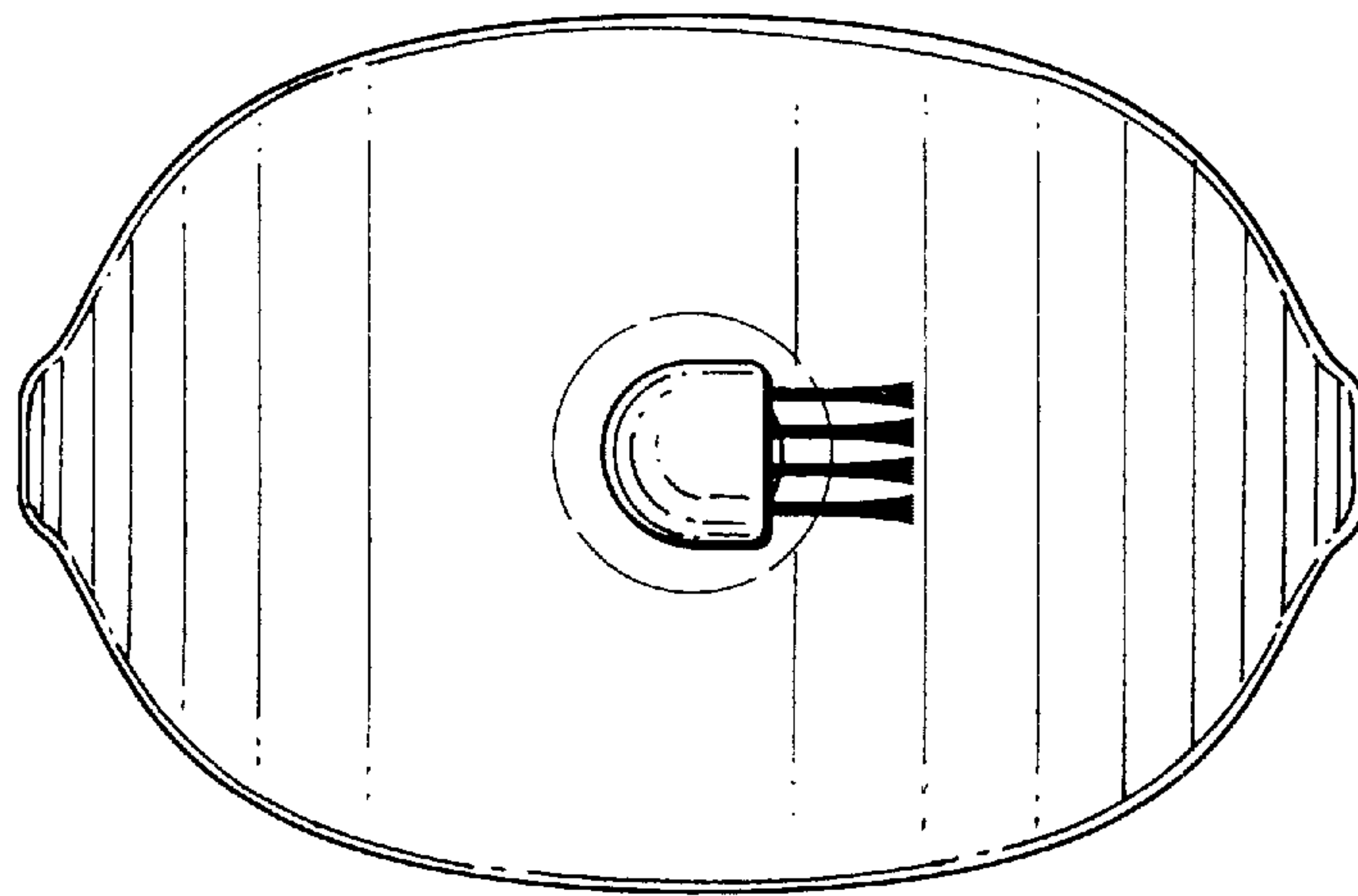


FIG. 6