



US00D404920S

United States Patent [19]

Long et al.

[11] **Patent Number: Des. 404,920**

[45] **Date of Patent: **Feb. 2, 1999**

[54] **TOOL BOX LID**

[75] Inventors: **Joseph Long**, Orland, Ind.; **Jeffrey L. Frye**, Sturgis, Mich.

[73] Assignee: **DFM Corporation**, Indianola, Iowa

[**] Term: **14 Years**

[21] Appl. No.: **78,655**

[22] Filed: **Oct. 28, 1997**

[51] **LOC (6) Cl.** **03-01**

[52] **U.S. Cl.** **D3/318**; D12/423

[58] **Field of Search** D12/423; D3/302, D3/905, 294, 318; 206/335, 349, 356, 372, 373; 224/541, 404

[56] **References Cited**

U.S. PATENT DOCUMENTS

D. 261,499	10/1981	Sauber	D12/423
D. 275,275	8/1984	Stapp	D12/423
D. 298,308	11/1988	VanKirk	D12/423
D. 324,197	2/1992	Dickinson	D12/423
D. 369,140	4/1996	Sills	D12/423
D. 369,342	4/1996	Williams	D12/423

D. 372,016	7/1996	Wolford	D12/423
D. 373,989	9/1996	Dickinson	D12/423
D. 376,693	12/1996	Wolff	D3/302
4,770,330	9/1988	Bonstead et al.	224/42.42
5,308,126	5/1994	Weger, Jr. et al.	292/53

Primary Examiner—Philip S. Hyder
Attorney, Agent, or Firm—Zarley, McKee, Thomte, Voorhees & Sease

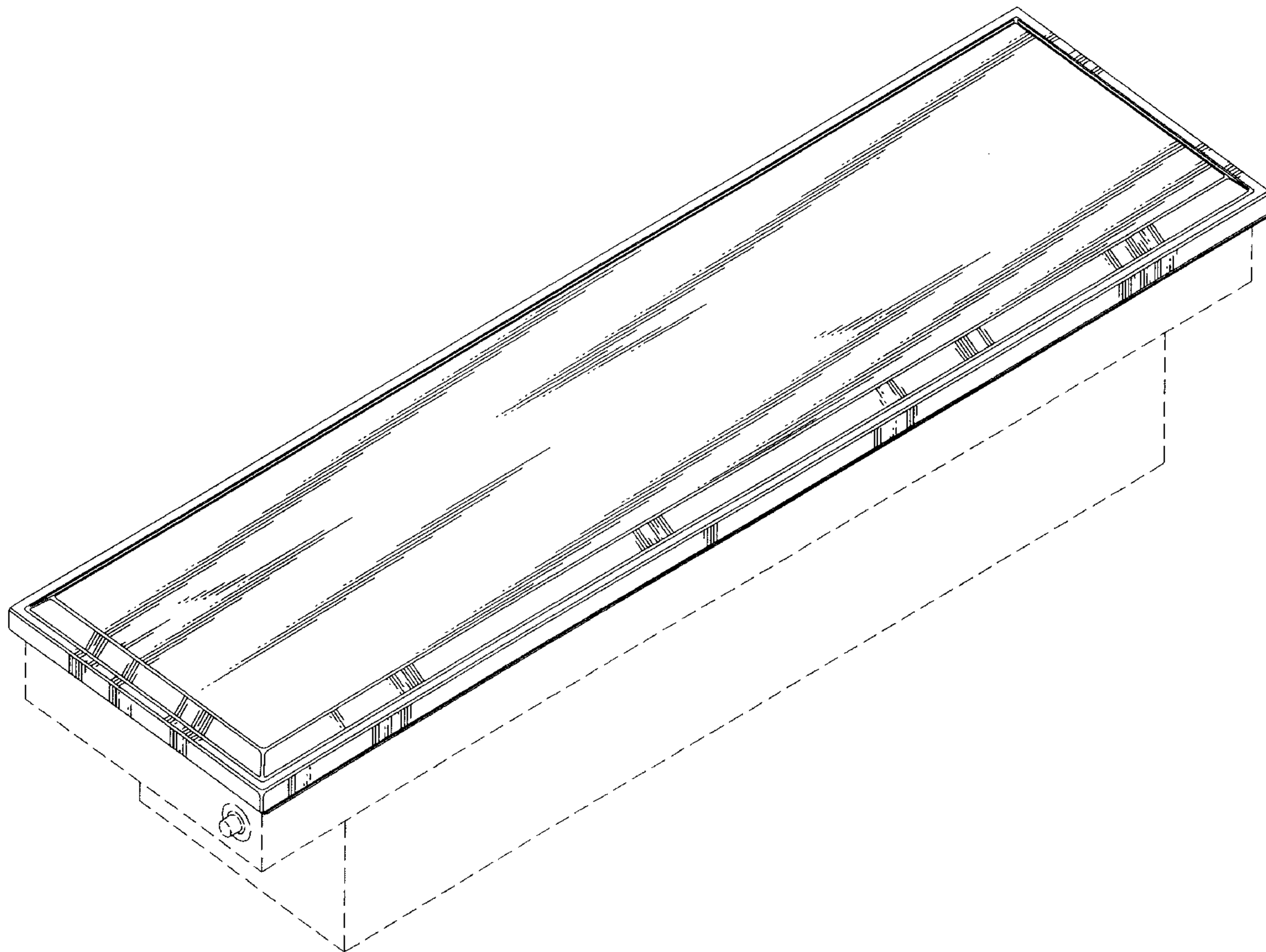
[57] **CLAIM**

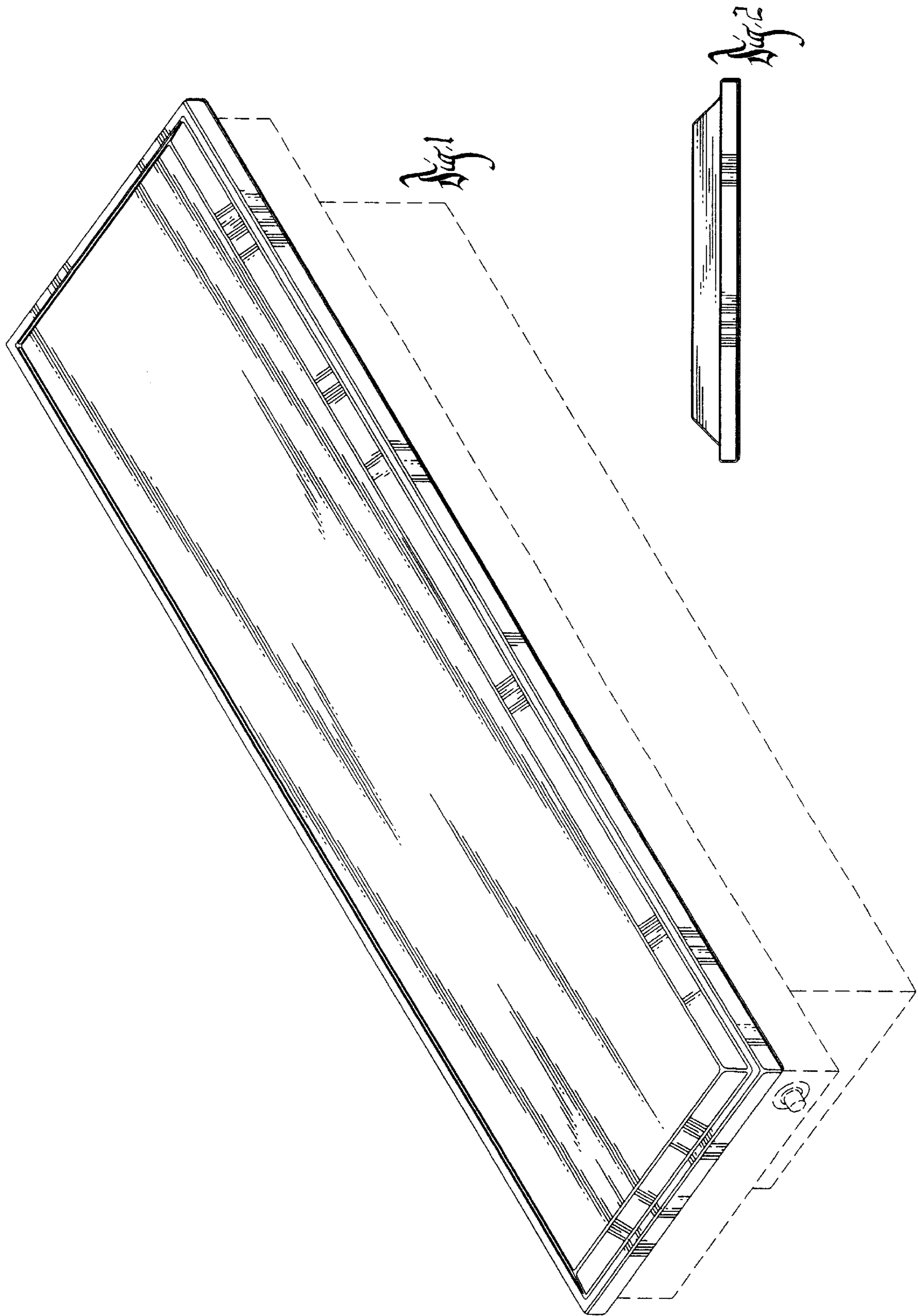
We claim the ornamental design for a tool box lid, as shown and described.

DESCRIPTION

FIG. 1 is a perspective view of the tool box lid of the present invention;
FIG. 2 is an end elevational view of the tool box lid;
FIG. 3 is a top elevational view of the tool box lid; and,
FIG. 4 is a side elevational view of the tool box lid.
The broken line showing the tool box in FIG. 1 is for illustrative purposes only and forms no part of the claimed design. The undisclosed bottom or underside of the lid also forms no part of the claimed design.

1 Claim, 2 Drawing Sheets





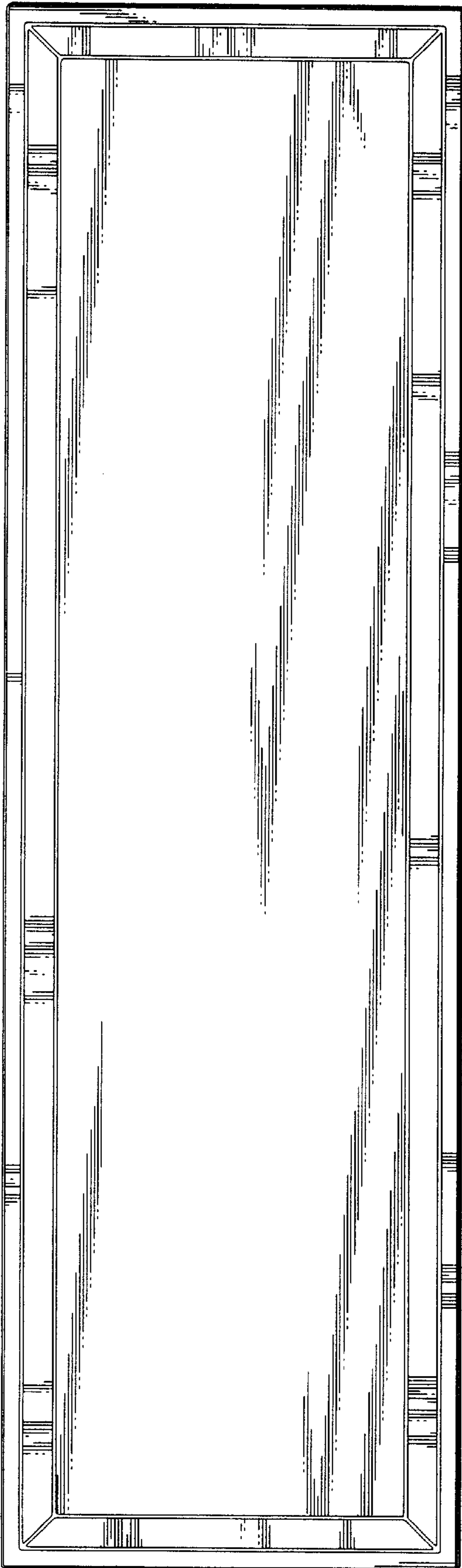


Fig. 3

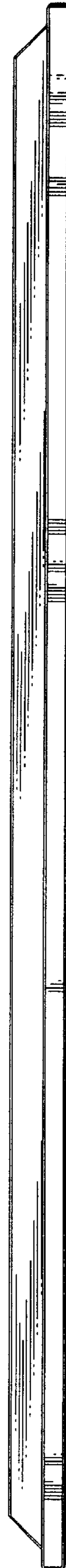


Fig. 4