



US00D404918S

United States Patent [19]

[11] **Patent Number:** **Des. 404,918**

Littler et al.

[45] **Date of Patent:** ****Feb. 2, 1999**

[54] **COMBINED TOILETRIES TOTE AND MAT FOR PUBLIC SHOWER**

[76] Inventors: **Lawrence J. Littler; Edwina L. Littler**, both of 9500 Geurts La., Silver Springs, Nev. 89429

[**] Term: **14 Years**

[21] Appl. No.: **22,678**

[22] Filed: **May 10, 1994**

Related U.S. Application Data

[63] Continuation of Ser. No. 924,243, Aug. 3, 1992, abandoned.

[51] **LOC (6) Cl.** **03-01**

[52] **U.S. Cl.** **D3/315**

[58] **Field of Search** D3/315, 307, 318; D6/512, 524, 525, 582, 583; D9/433, 434; 294/15, 25, 137, 141, 152, 153, 154, 157, 72; 224/925, 927; 383/13; D24/211, 214; 601/115, 118, 128, 129, 132

[56] References Cited

U.S. PATENT DOCUMENTS

- D. 177,201 3/1956 Wheeler D3/315
- D. 226,875 5/1973 Haworth, Jr. D24/211
- D. 286,237 10/1986 Muderlak .

- D. 291,912 9/1987 Fabian .
- D. 299,423 1/1989 Davis .
- 1,118,519 11/1914 Weaver 294/152
- 1,314,397 8/1919 Heffron 294/72
- 4,174,822 11/1979 Larsson .
- 4,914,759 4/1990 Goff .

OTHER PUBLICATIONS

Brochure distributed by American Inventors Corporation approximately during Oct. 1992.

Primary Examiner—Doris V. Coles
Assistant Examiner—Catherine R. Oliver

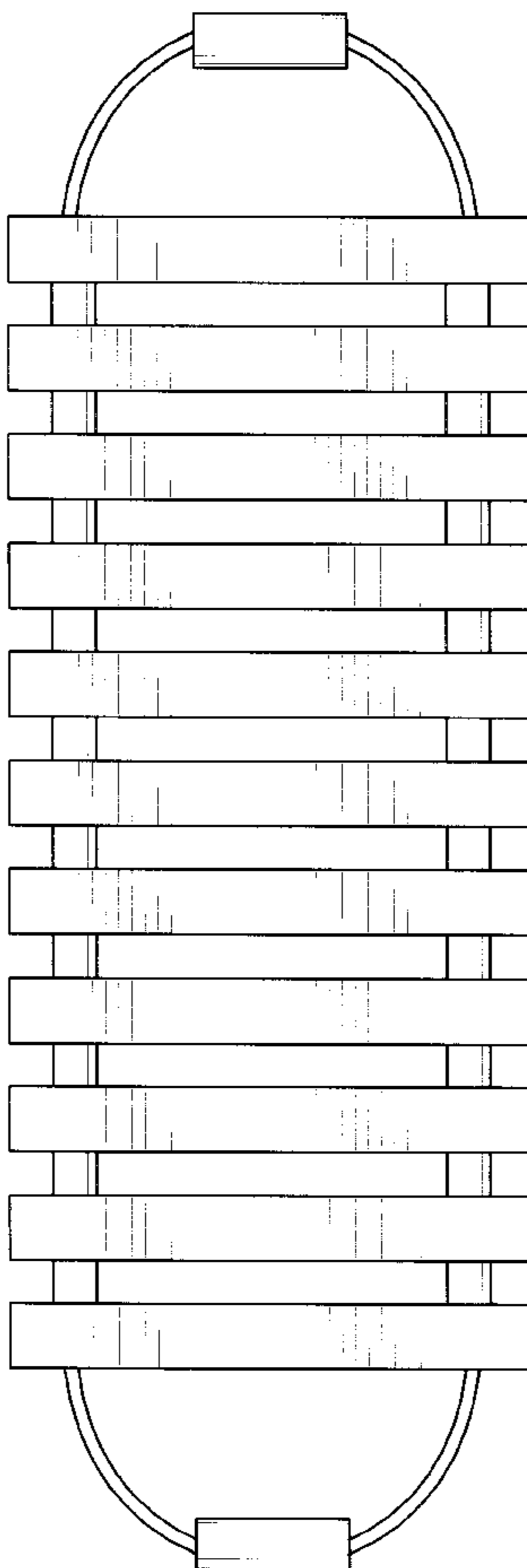
[57] CLAIM

The ornamental design for a combined toiletries tote and mat for public shower, as shown and described.

DESCRIPTION

FIG. 1 is a front elevational view of the combined toiletries tote and mat for public shower showing my new design; FIG. 2 is a rear elevational view thereof; FIG. 3 is a left side elevational view thereof; FIG. 4 is a right side elevational view thereof; FIG. 5 is a top plan view thereof; FIG. 6 is a bottom plan view thereof; and, FIG. 7 is a perspective view thereof.

1 Claim, 4 Drawing Sheets



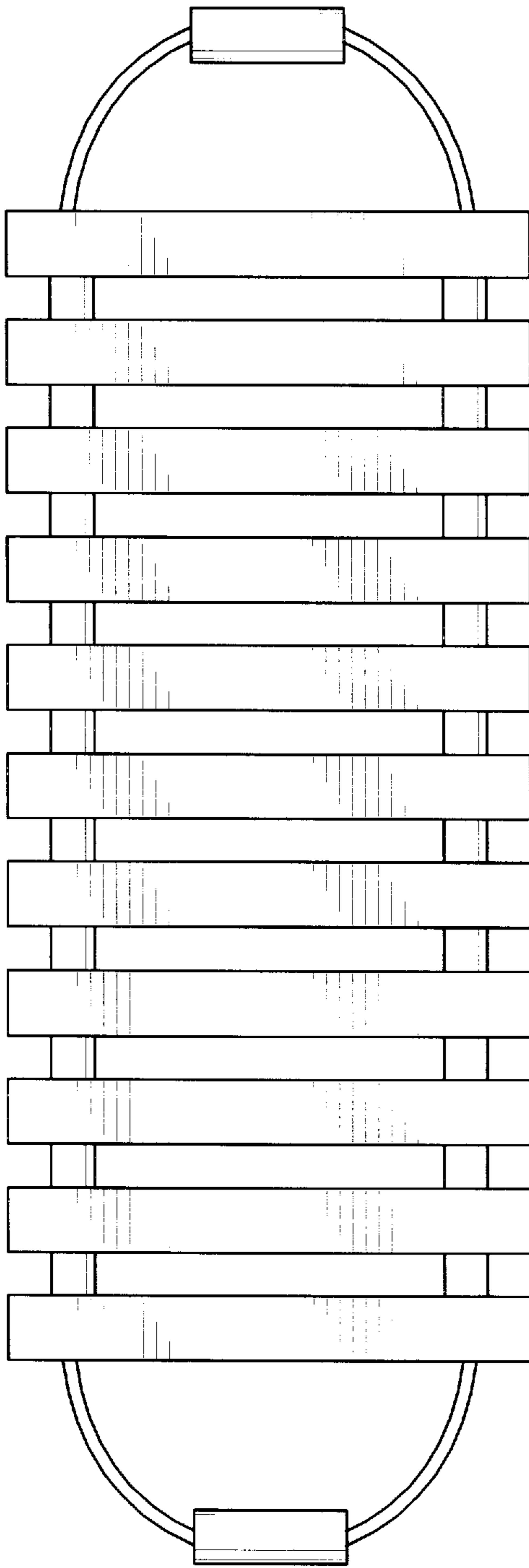


FIG. 1

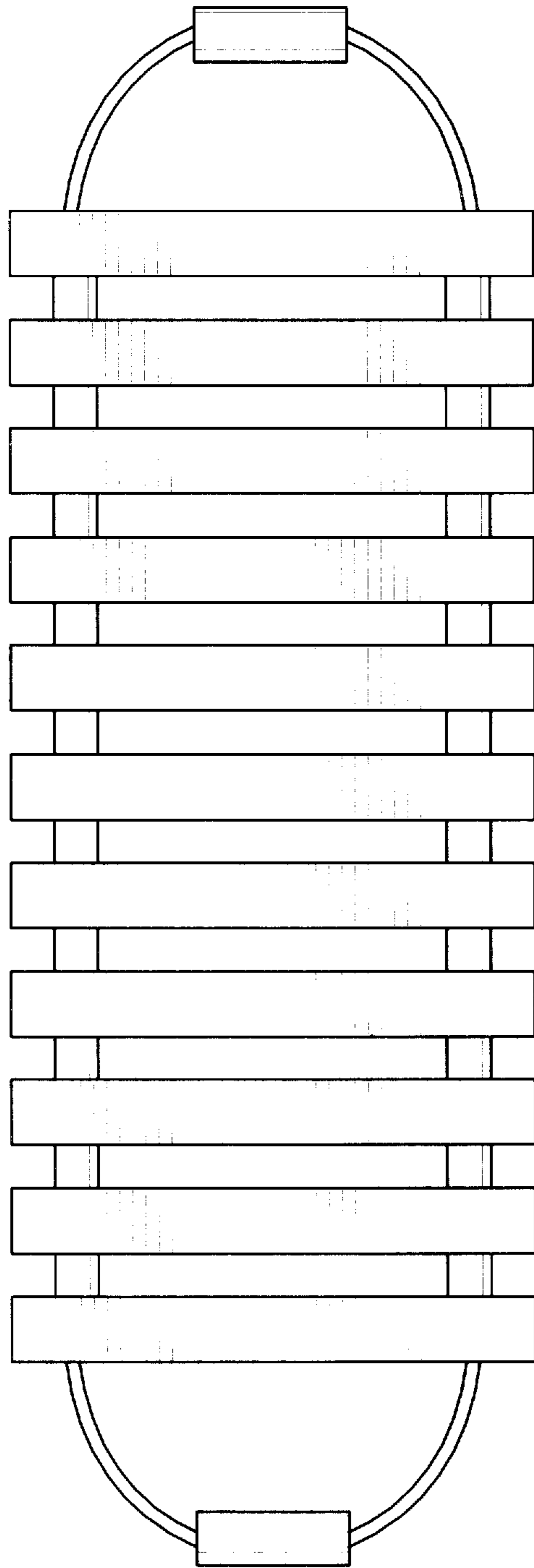


FIG. 2

FIG. 3

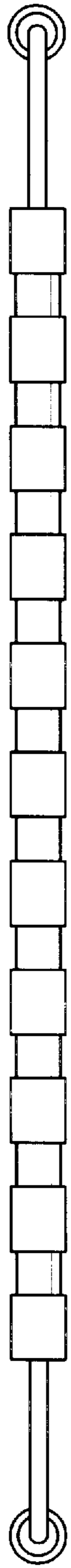


FIG. 4

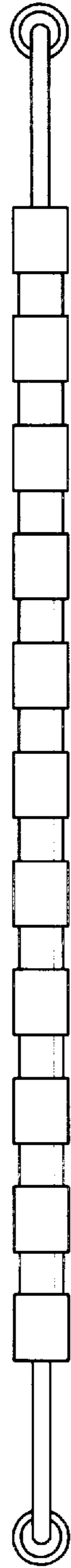




FIG. 5



FIG. 6

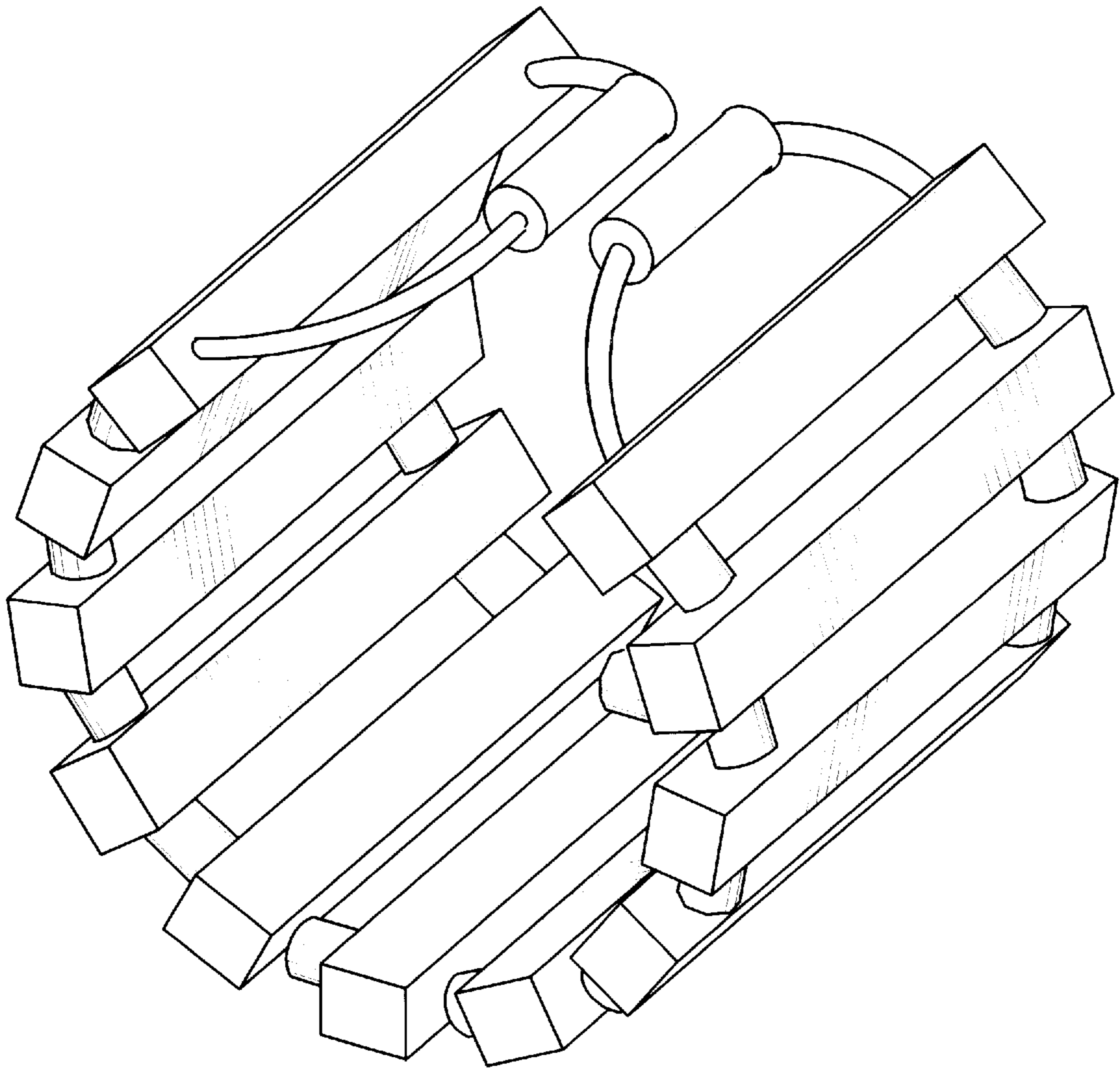


FIG. 7