



US00D404885S

United States Patent [19]

Tomaszewski et al.

[11] **Patent Number: Des. 404,885**

[45] **Date of Patent: **Feb. 2, 1999**

[54] **COMBINED CHILDREN'S MEDICINAL LOLLIPOP AND PACIFIER**

2,036,706	4/1936	Law	D1/102 X
2,425,945	8/1947	Leach	D1/102 X
4,551,329	11/1985	Harris et al.	D1/102 X

[76] Inventors: **Heather K. Tomaszewski; Steven J. Tomaszewski**, both of 113 5th St., Mt. Ephraim, N.J. 08059

Primary Examiner—Pamela Burgess

[**] Term: **14 Years**

[57] **CLAIM**

The ornamental design for a combined children's medicinal lollipop and pacifier, as shown and described.

[21] Appl. No.: **59,343**

DESCRIPTION

[22] Filed: **Sep. 9, 1996**

[51] **LOC (6) Cl.** **01-01**

[52] **U.S. Cl.** **D1/102; D24/194**

[58] **Field of Search** **D1/101-105, 127, D1/130; 426/91, 134, 421, 104, 512; D24/194**

FIG. 1 is a top, front perspective view of a combined children's medicinal lollipop and pacifier showing our new design, the stick portion being broken away for clarity of disclosure only;

FIG. 2 is a top plan view thereof, the undisclosed bottom plan view being basically a mirror image;

FIG. 3 is a side elevational view thereof, the undisclosed side being a mirror image;

FIG. 4 is a front elevational view thereof, the undisclosed rear being a mirror image; and,

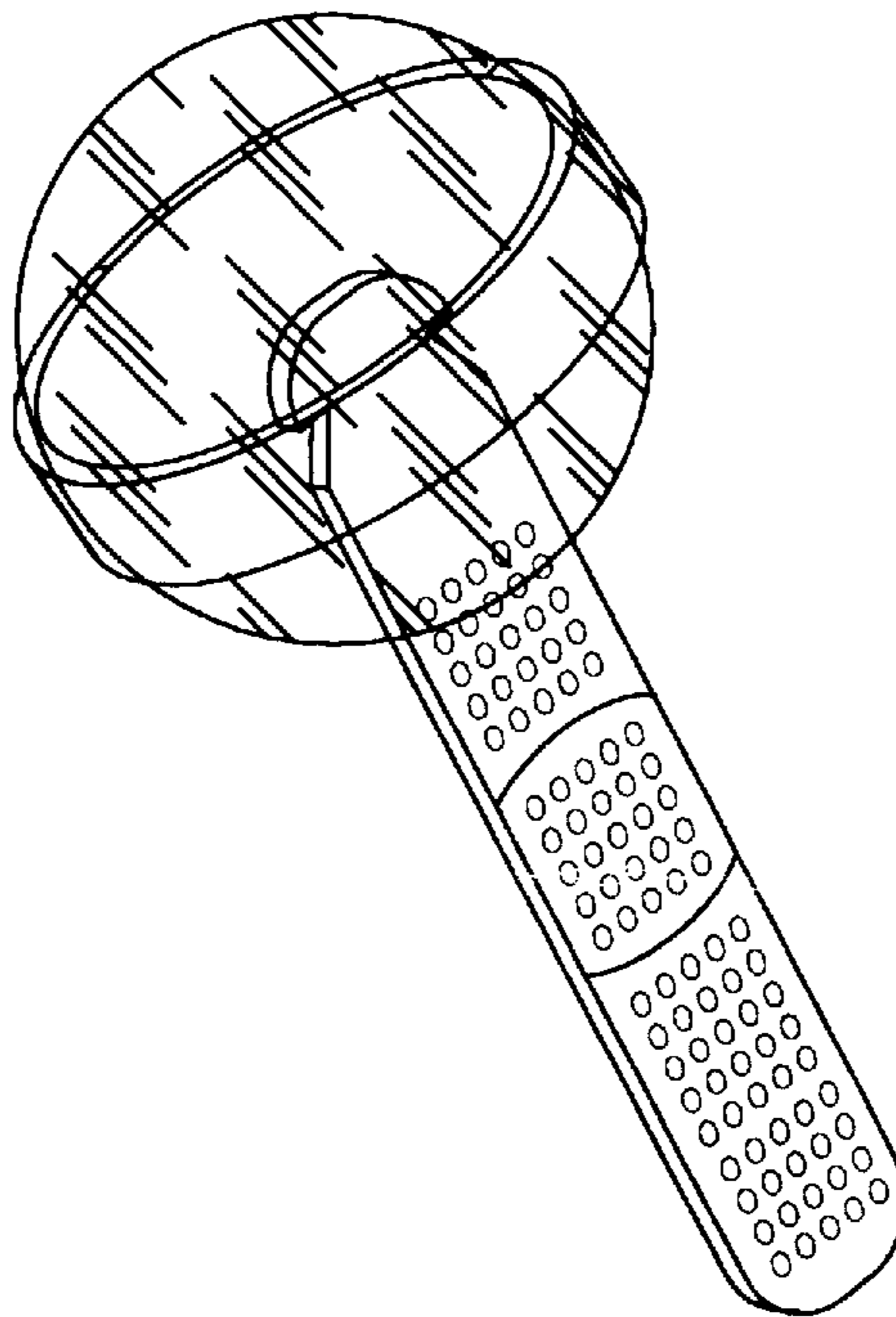
FIG. 5 is a top, front perspective view thereof.

[56] **References Cited**

U.S. PATENT DOCUMENTS

D. 95,215	4/1935	Barone et al.	D1/102
D. 96,360	7/1935	Wheeler	D1/102
D. 368,151	3/1996	Kellogg et al.	D1/102
1,915,614	6/1933	Darke	D1/102 X
1,936,816	11/1933	Zitzman	D1/102 X

1 Claim, 1 Drawing Sheet



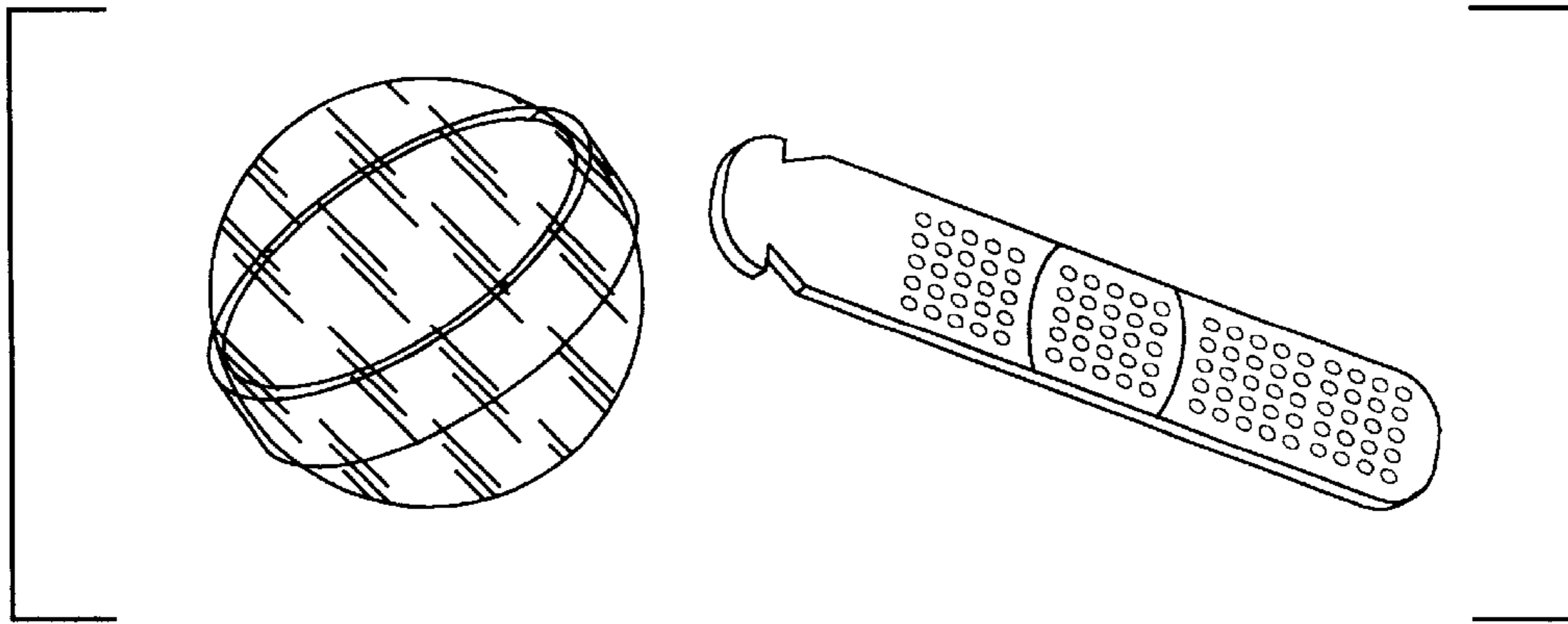


Figure 1

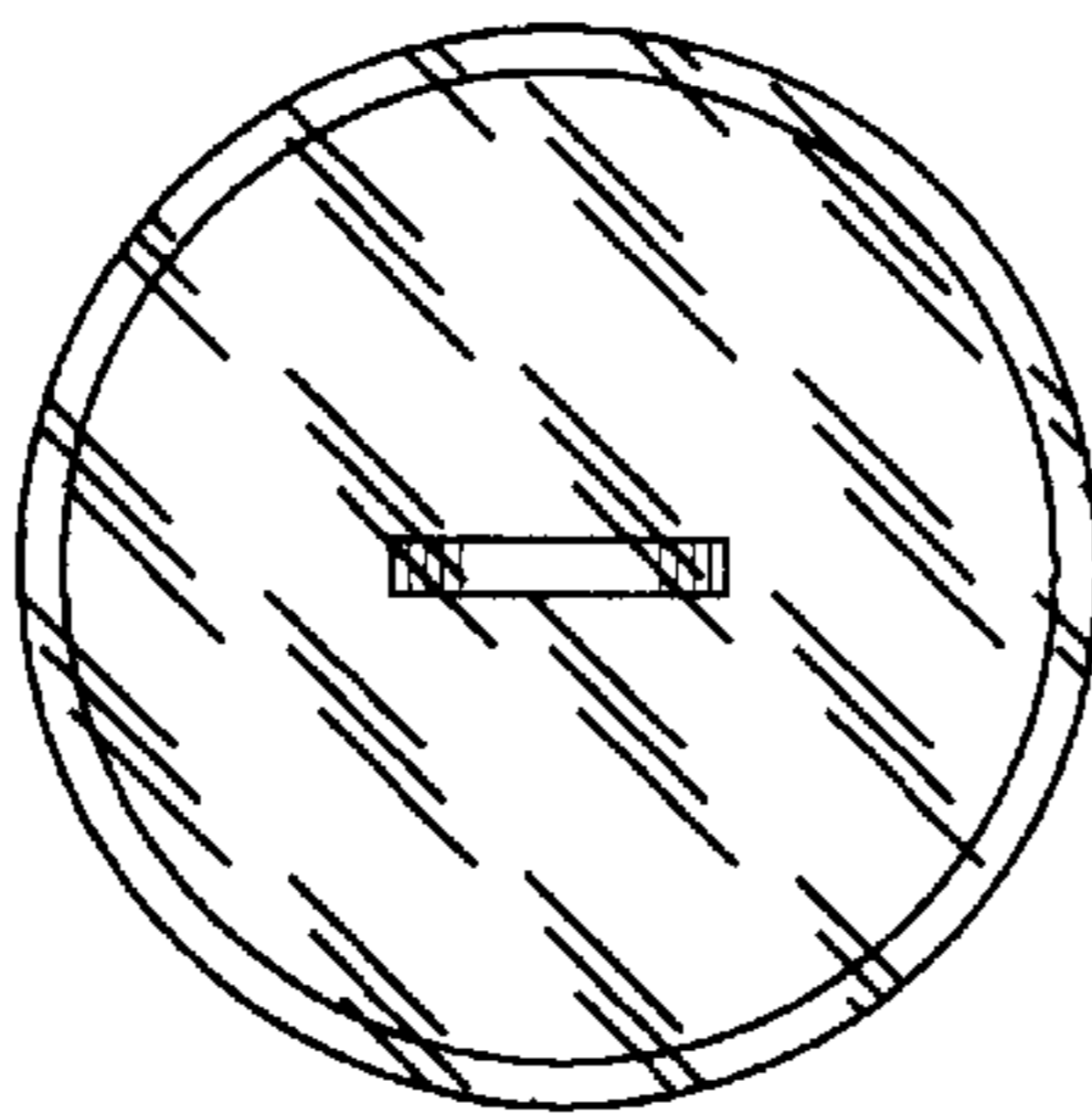


Figure 2

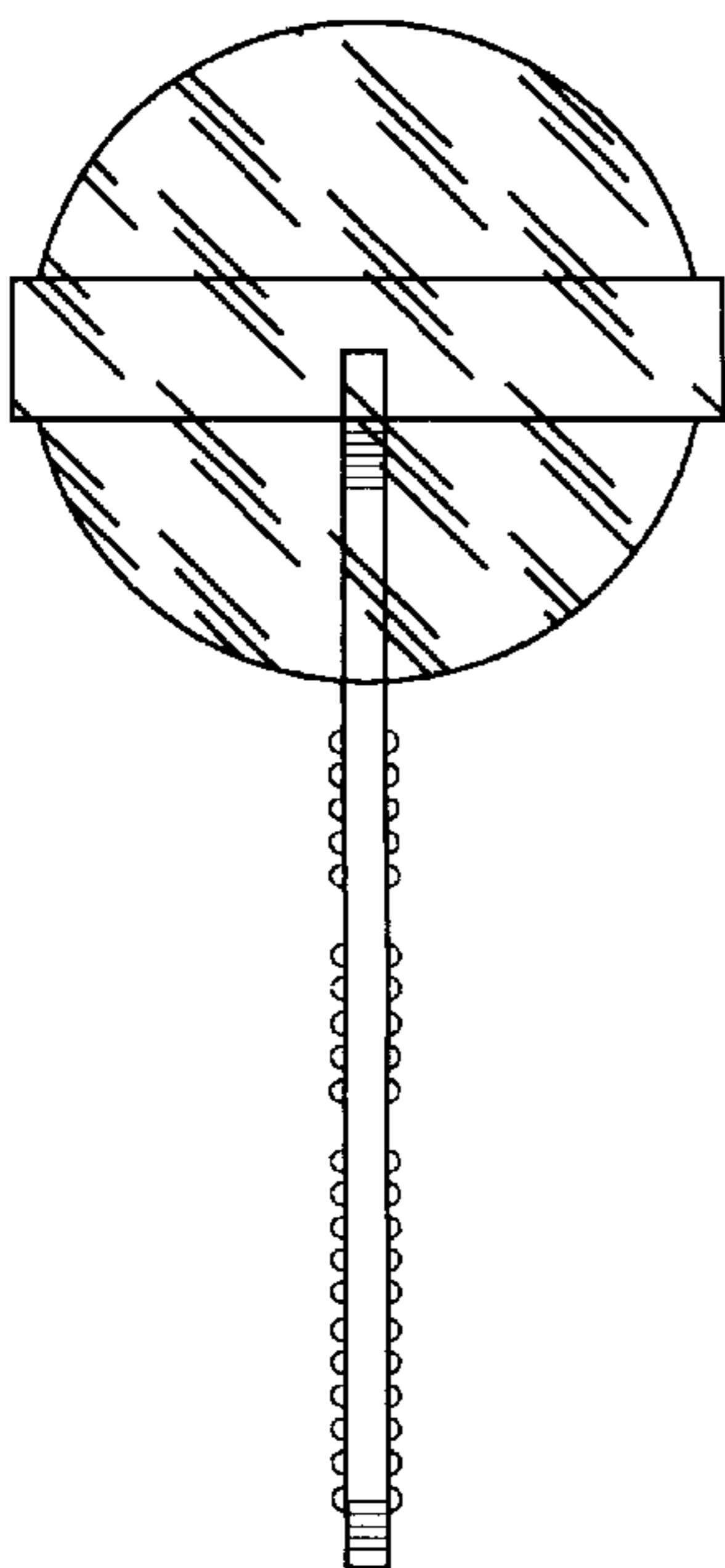


Figure 3

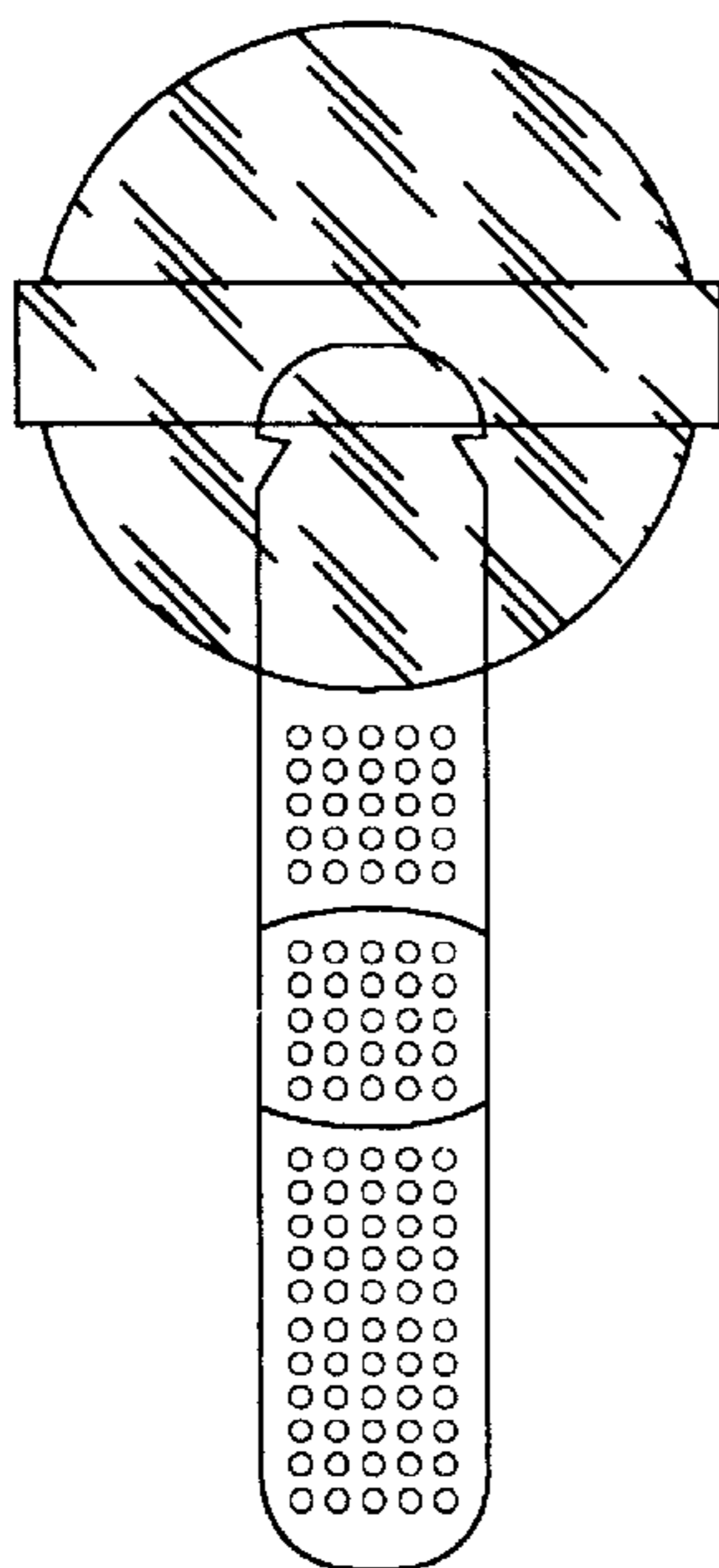


Figure 4

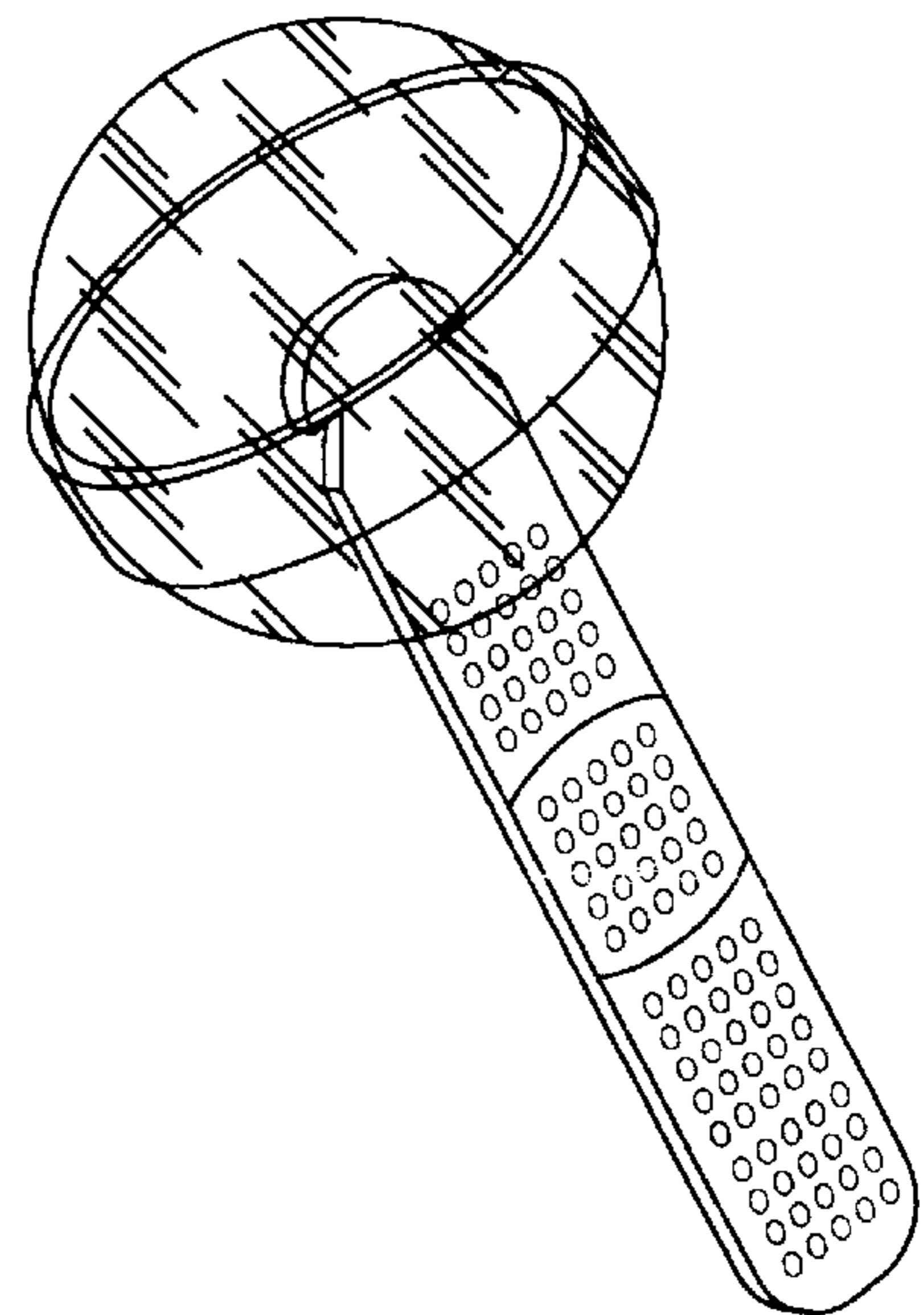


Figure 5