

US00D404882S

United States Patent [19]

Shuchart et al.

[11] Patent Number: Des. 404,882

[45] Date of Patent: **Jan. 26, 1999

[54] WHEELBARROW LEG EXTENSION

[75] Inventors: **Larry F. Shuchart**, Dallastown;
Michael J. Lupey, Jr., York, both of Pa.

[73] Assignee: **True Temper Hardware Co.**, Camp Hill, Pa.

[**] Term: **14 Years**

[21] Appl. No.: **88,030**

[22] Filed: **May 14, 1998**

[51] LOC (6) Cl. **12-02**

[52] U.S. Cl. **D34/27**

[58] Field of Search D34/12-27; 280/40, 280/655, 656, 767; 298/3

[56] **References Cited**

U.S. PATENT DOCUMENTS

- D. 34,934 8/1901 Cooper .
- 658,606 9/1900 Willsea .
- 817,677 4/1906 Smith .
- 1,321,982 11/1919 Choate .
- 2,268,748 1/1942 Glenny .
- 2,692,175 10/1954 Jacques .

- 3,604,753 9/1971 Couture .
- 3,683,825 8/1972 Sheldon .
- 4,589,508 5/1986 Hoover et al. 180/19.1
- 4,705,280 11/1987 Burns .
- 5,087,061 2/1992 Wallace .

Primary Examiner—Kay H. Chin
Attorney, Agent, or Firm—Eckert Seamans Cherin & Mellott, LLC

[57] **CLAIM**

The ornamental design for a wheelbarrow leg extension, as shown and described.

DESCRIPTION

FIG. 1 is a side elevational view of a wheelbarrow leg extension showing our new design, the broken lines are for illustrative purposes only and form no part of the claimed design;

FIG. 2 is a perspective view thereof;

FIG. 3 is a right side elevational view thereof;

FIG. 4 is a left side elevational view thereof;

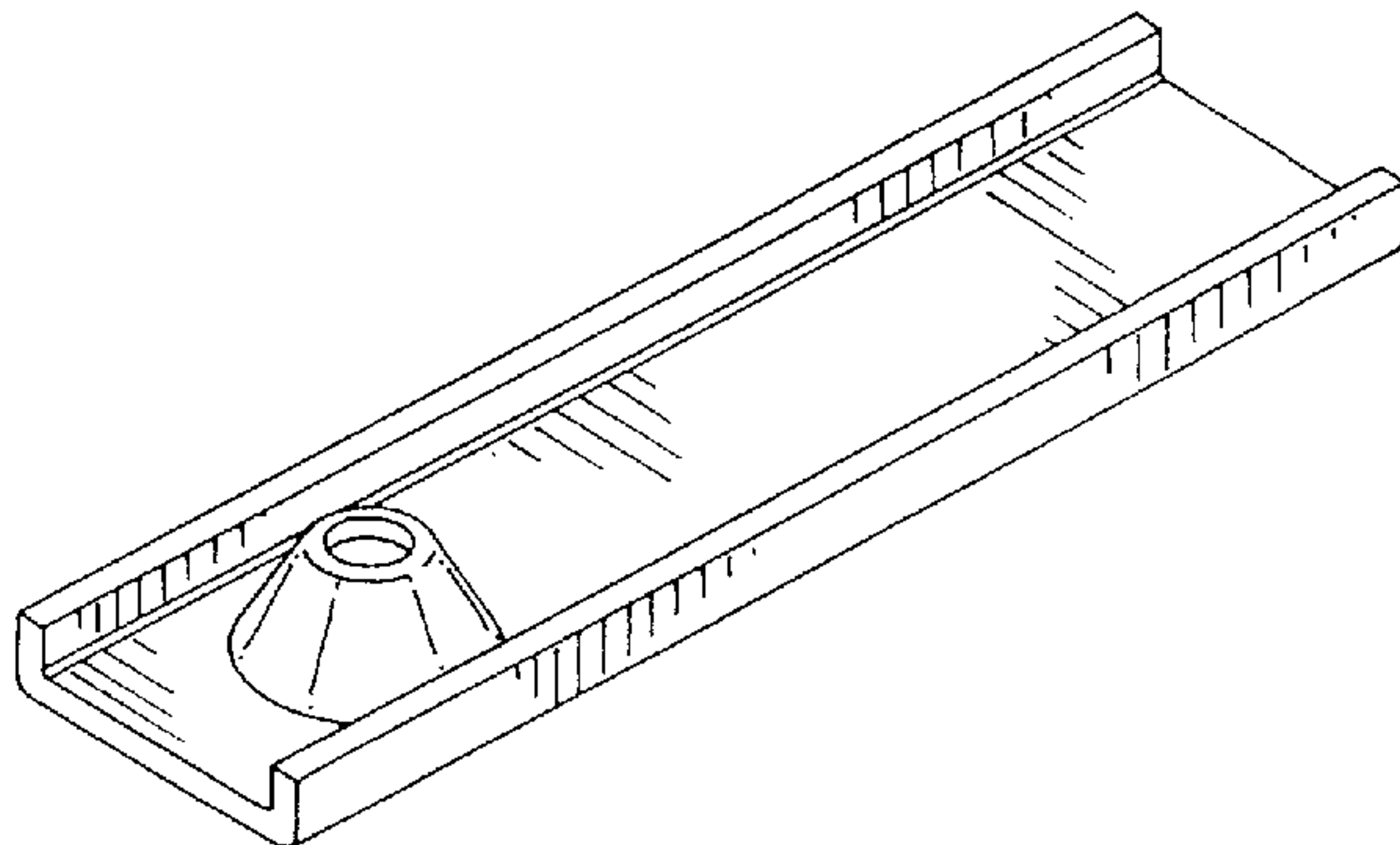
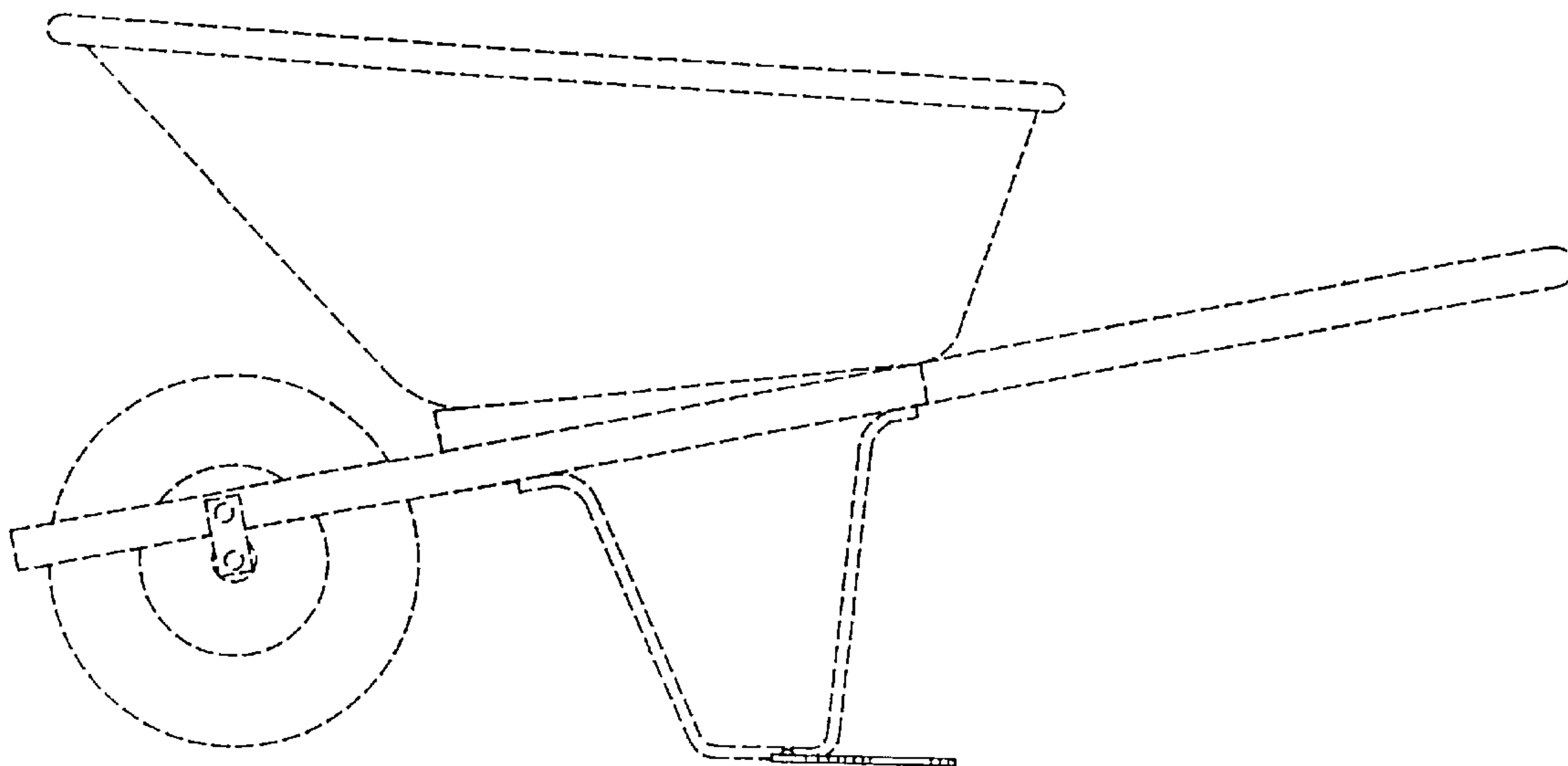
FIG. 5 is a rear elevational view thereof;

FIG. 6 is a front elevational view thereof;

FIG. 7 is a top plan view thereof; and,

FIG. 8 is a bottom plan view thereof.

1 Claim, 2 Drawing Sheets



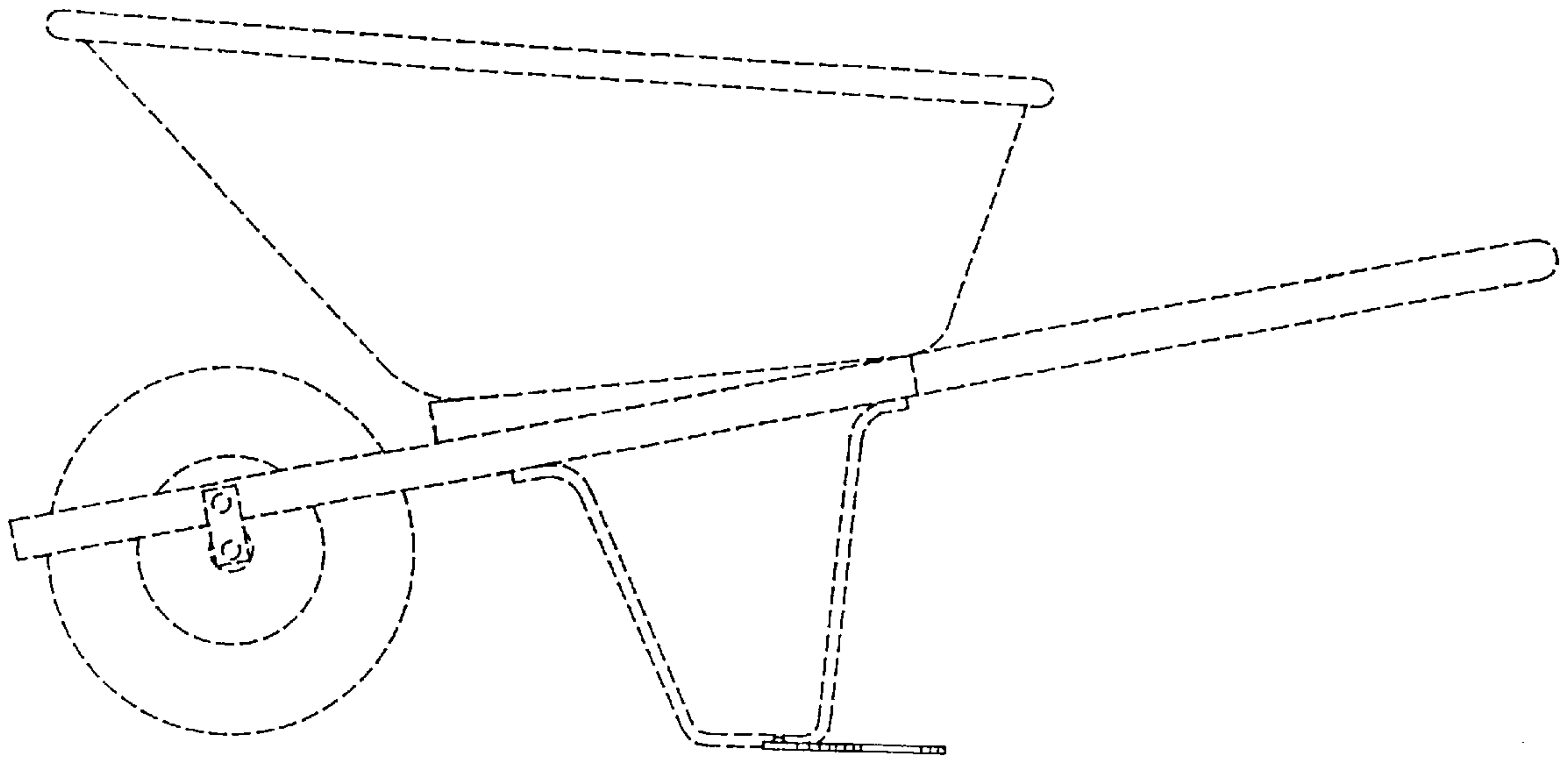


FIG. 1

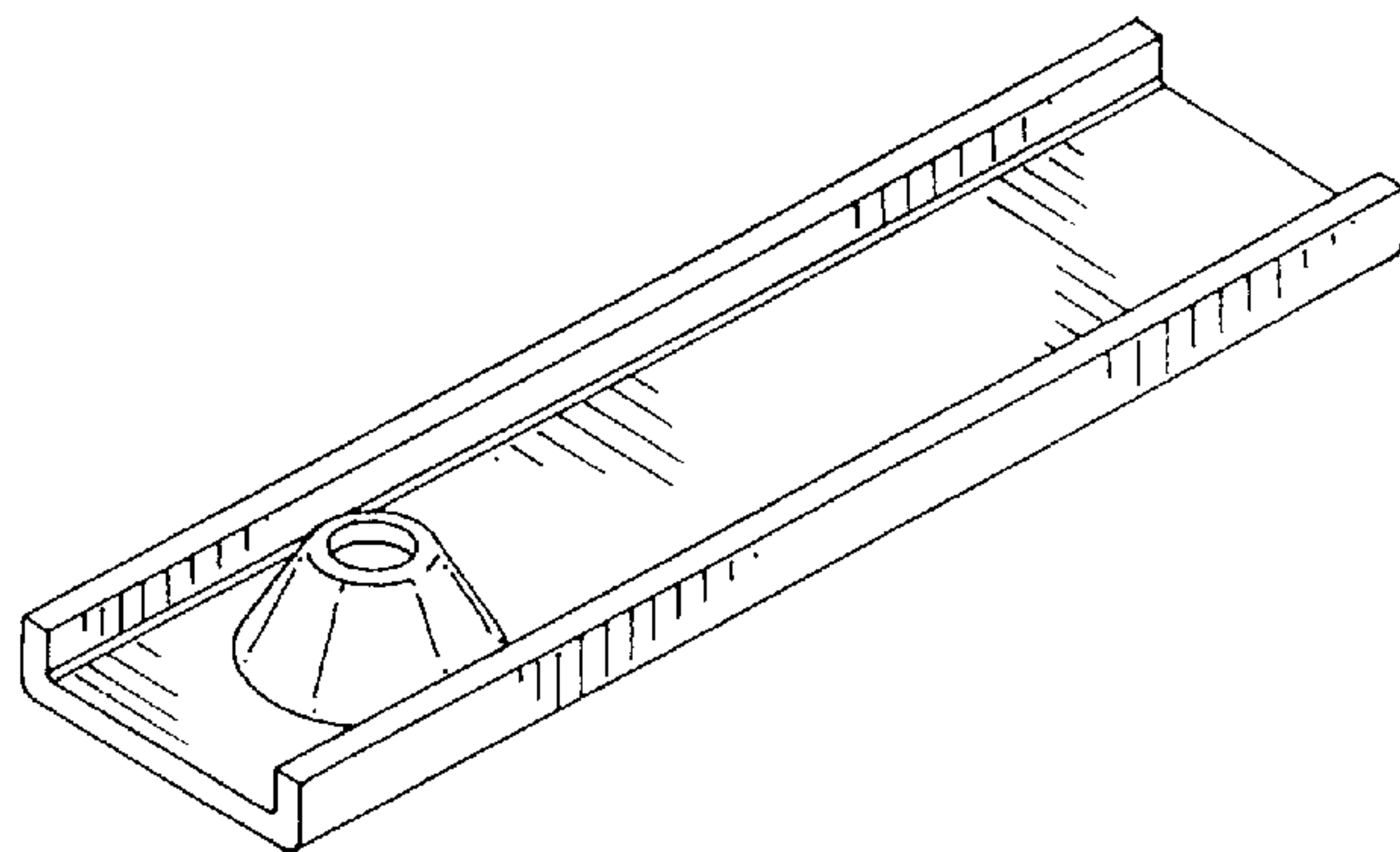


FIG. 2

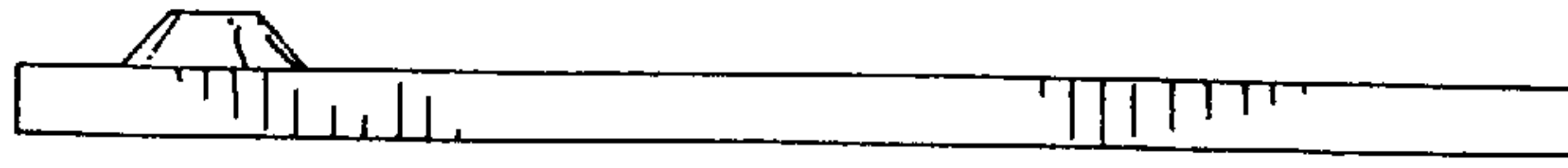


FIG. 3



FIG. 4



FIG. 5



FIG. 6

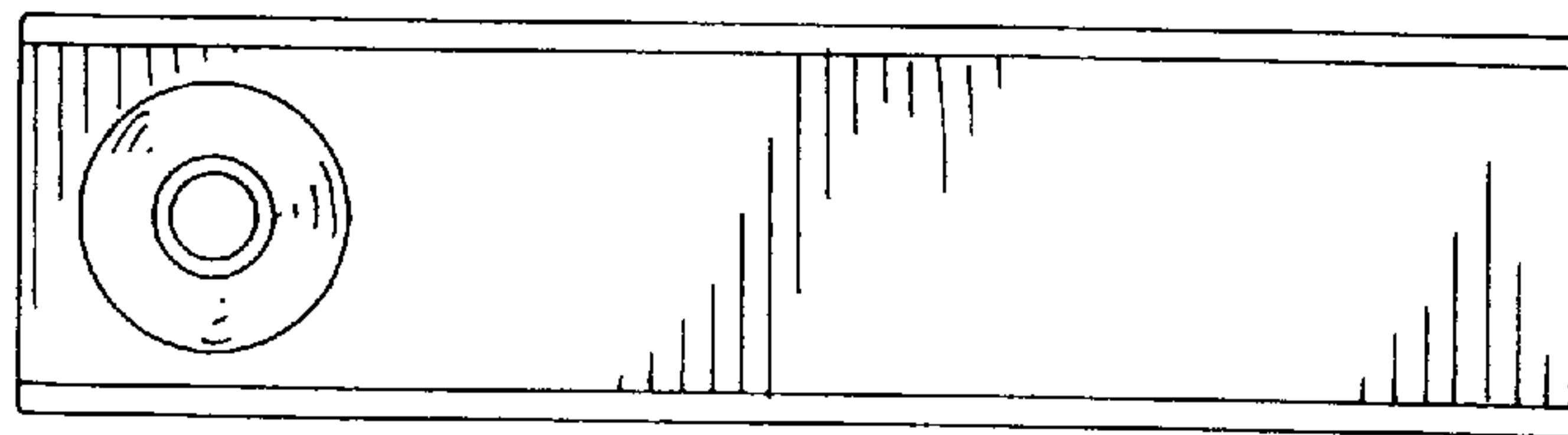


FIG. 7

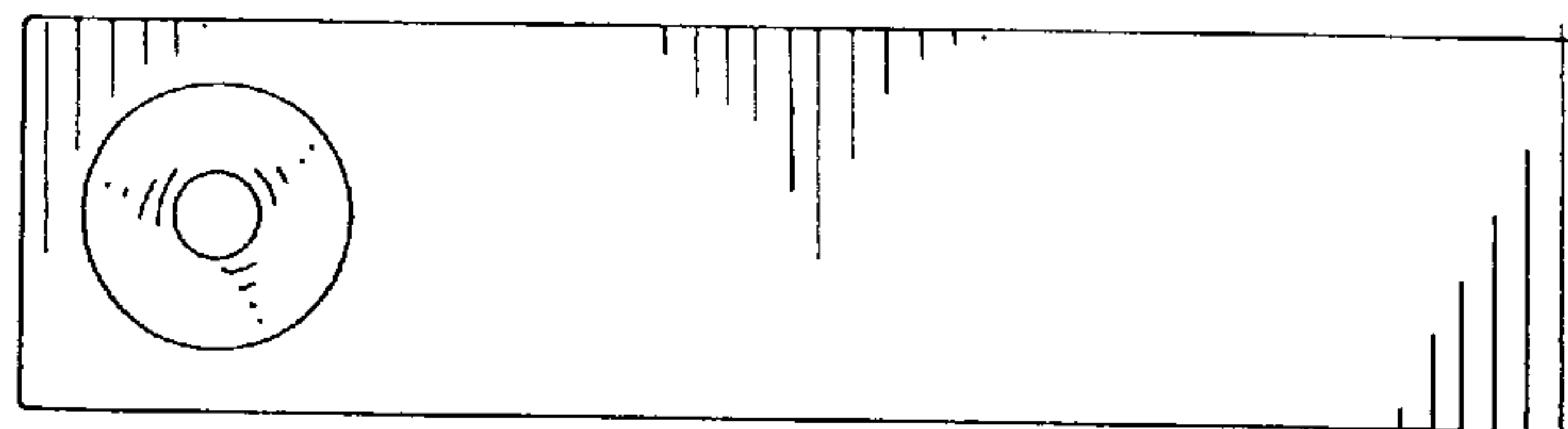


FIG. 8