



US00D404881S

# United States Patent [19]

Shuchart et al.

[11] **Patent Number: Des. 404,881**

[45] **Date of Patent: \*\*Jan. 26, 1999**

[54] **WHEELBARROW LEG EXTENSION**

[75] Inventors: **Larry F. Shuchart**, Dallastown;  
**Michael J. Lupey, Jr.**, York, both of Pa.

[73] Assignee: **True Temper Hardware Co.**, Camp Hill, Pa.

[\*\*] Term: **14 Years**

[21] Appl. No.: **88,029**

[22] Filed: **May 14, 1998**

[51] **LOC (6) Cl.** ..... **12-02**

[52] **U.S. Cl.** ..... **D34/27**

[58] **Field of Search** ..... D34/12-27; 280/40, 280/655, 656, 767, 47.31, 30, 47.23; 298/3

[56] **References Cited**

**U.S. PATENT DOCUMENTS**

D. 34,934	8/1901	Cooper	.....	D34/16
658,606	9/1900	Willsea	.....	280/47.31
817,677	4/1906	Smith	.....	280/47.23
1,321,982	11/1919	Choate	.....	108/13
2,268,748	1/1942	Glenny	.....	108/176
2,692,175	10/1954	Jacques	.....	108/124

3,604,753	9/1971	Sheldon	.....	108/33
4,589,508	5/1986	Hoover et al.	.....	180/19.1
4,705,280	11/1987	Burns	.....	280/40
5,087,061	2/1992	Wallace	.....	280/30

*Primary Examiner*—Kay H. Chin  
*Attorney, Agent, or Firm*—Eckert Seamans Cherin & Mellott

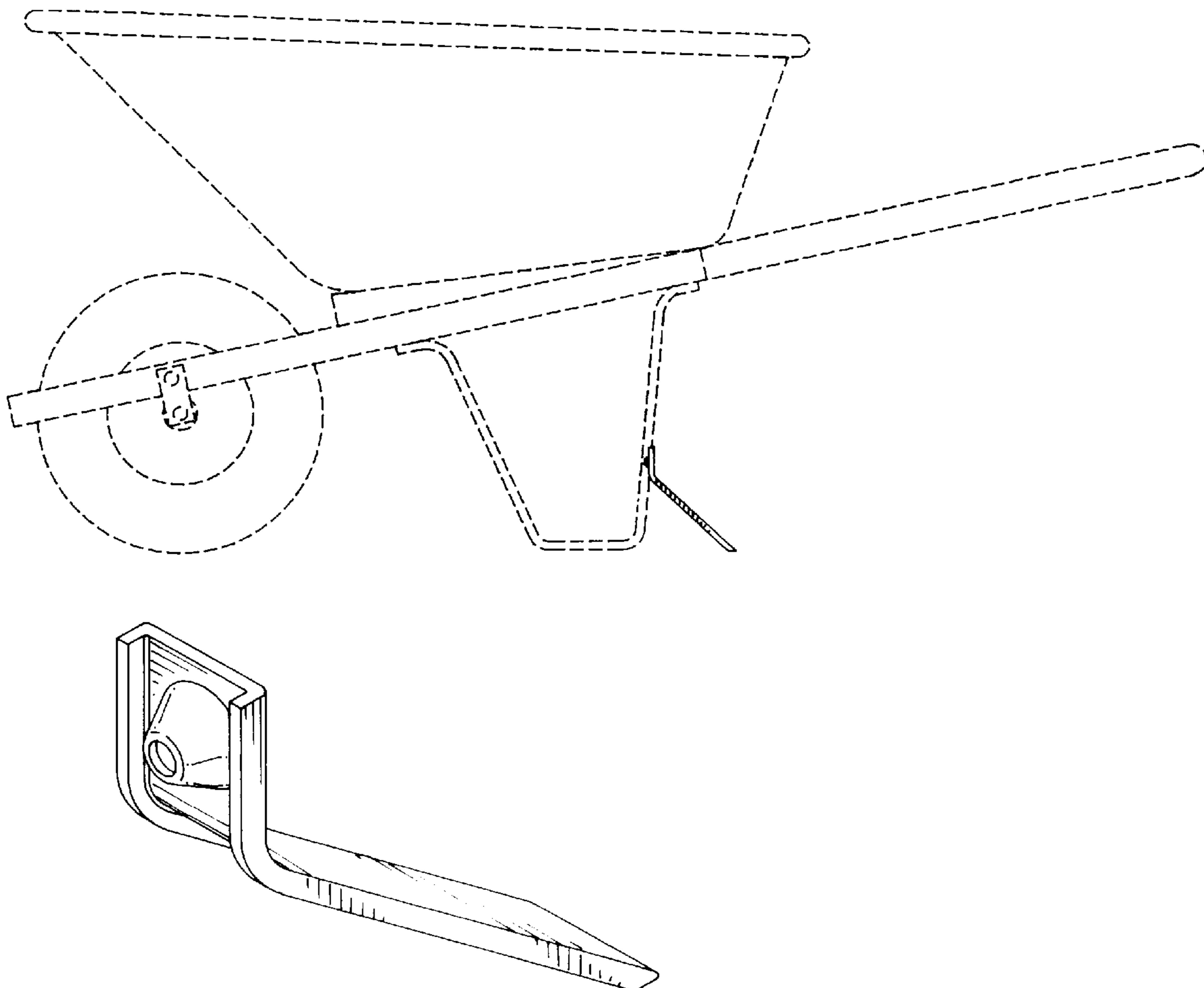
[57] **CLAIM**

The ornamental design for a wheelbarrow leg extension, as shown and described.

**DESCRIPTION**

FIG. 1 is a side elevational view of a wheelbarrow leg extension showing our new design, the broken lines are for illustrative purposes only and form no part of the claimed design;  
FIG. 2 is a perspective view thereof;  
FIG. 3 is a right side elevational view thereof;  
FIG. 4 is a left side elevational view thereof;  
FIG. 5 is a rear elevational view thereof;  
FIG. 6 is a front elevational view thereof;  
FIG. 7 is a top plan view thereof; and,  
FIG. 8 is a bottom plan view thereof.

**1 Claim, 3 Drawing Sheets**



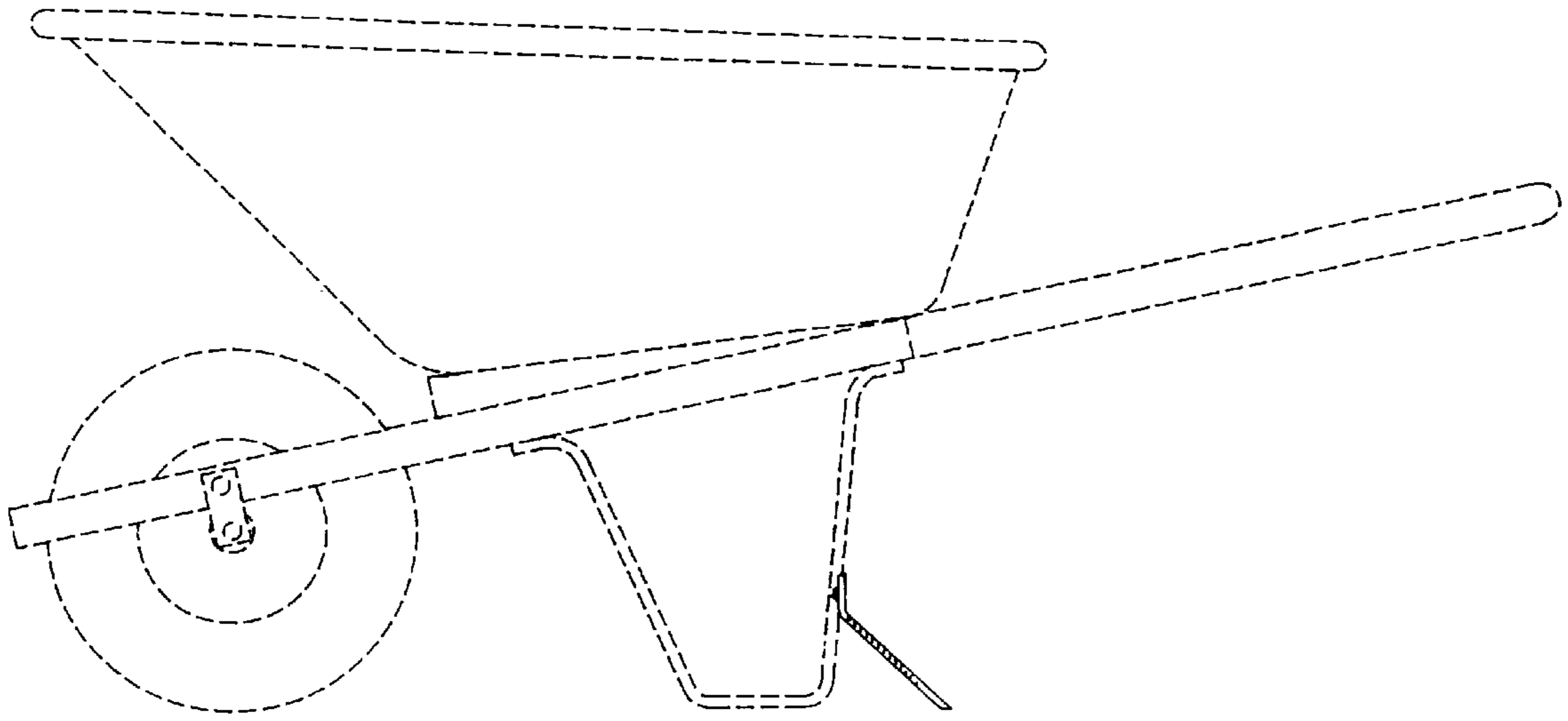


FIG. 1

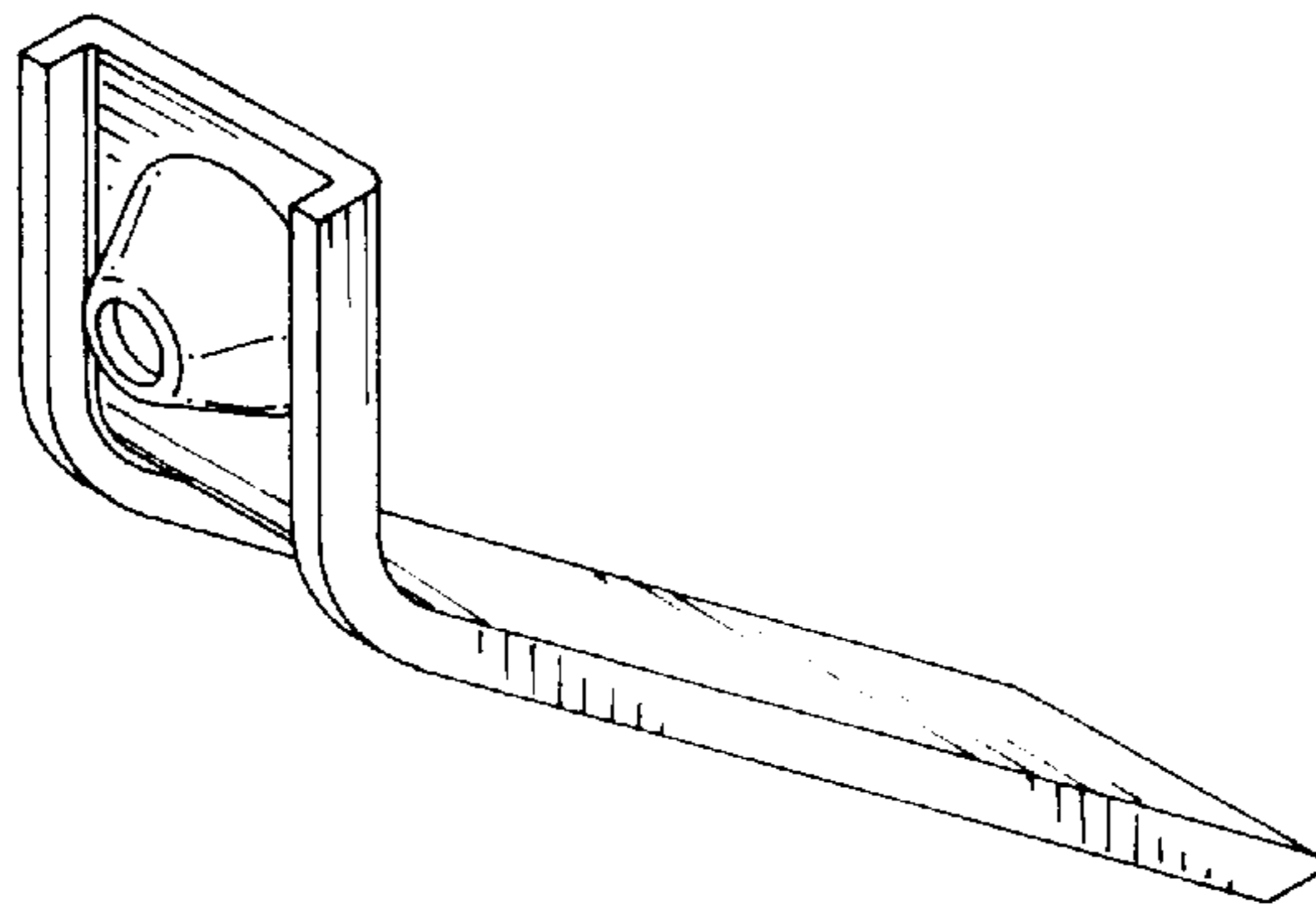


FIG. 2

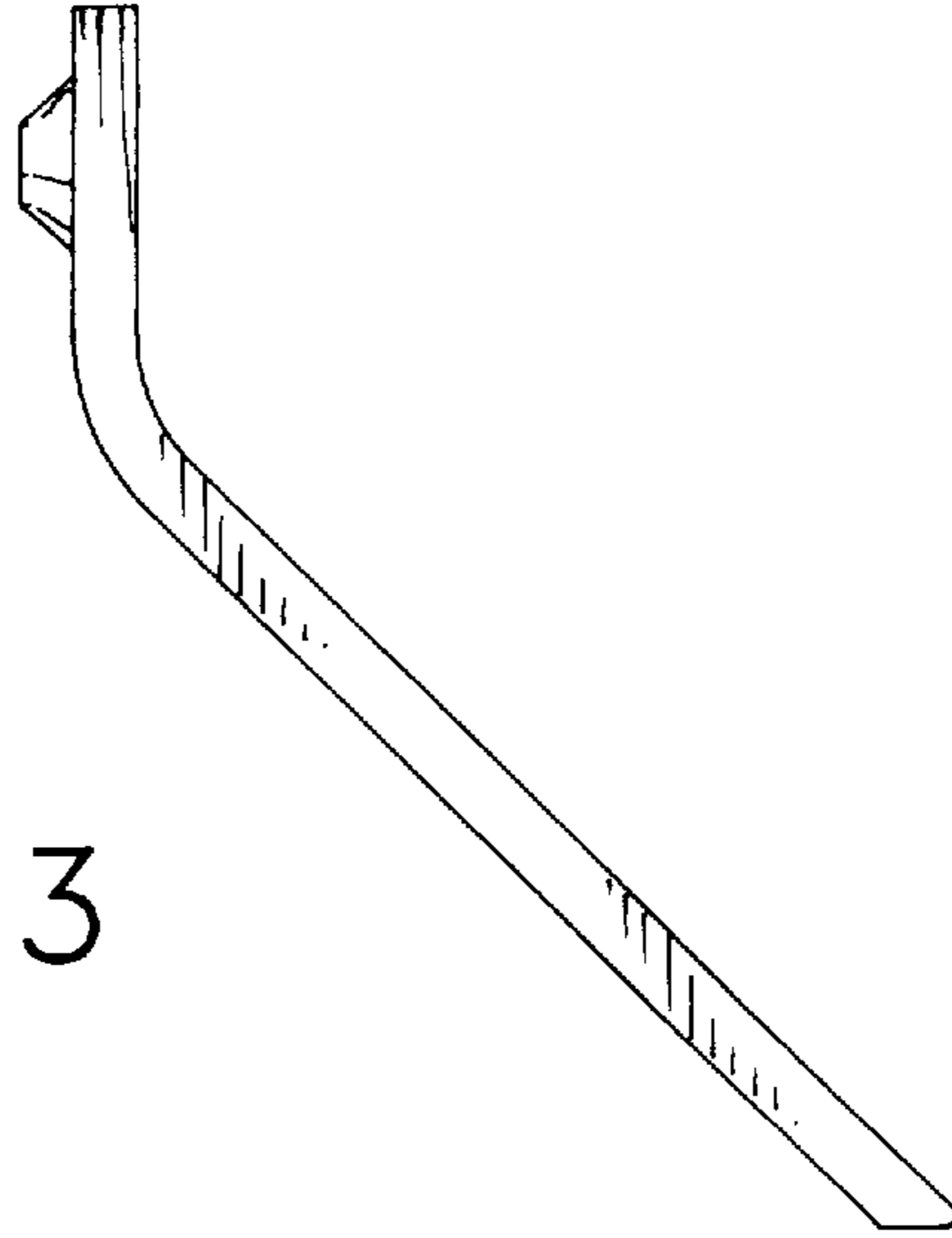


FIG. 3

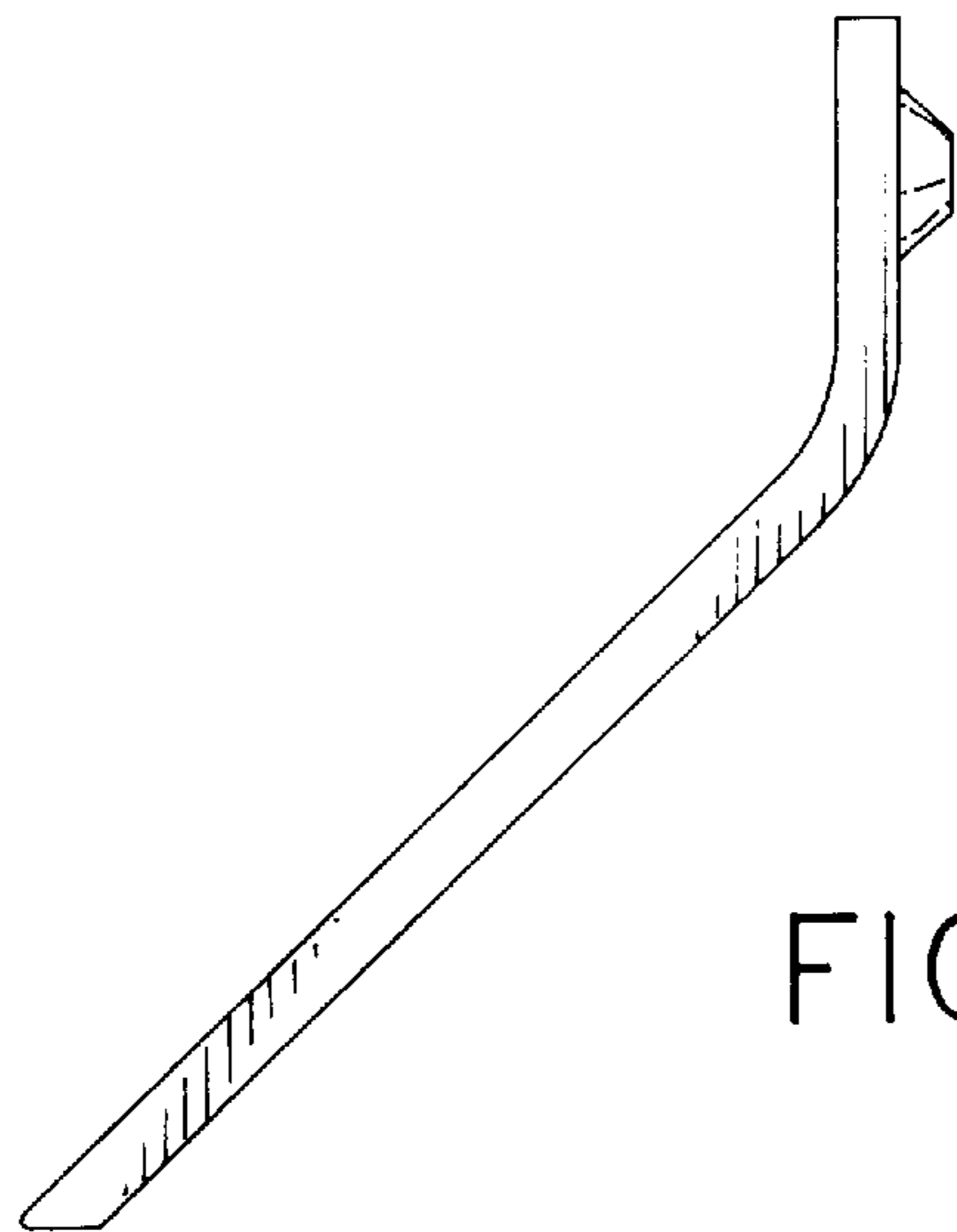


FIG. 4

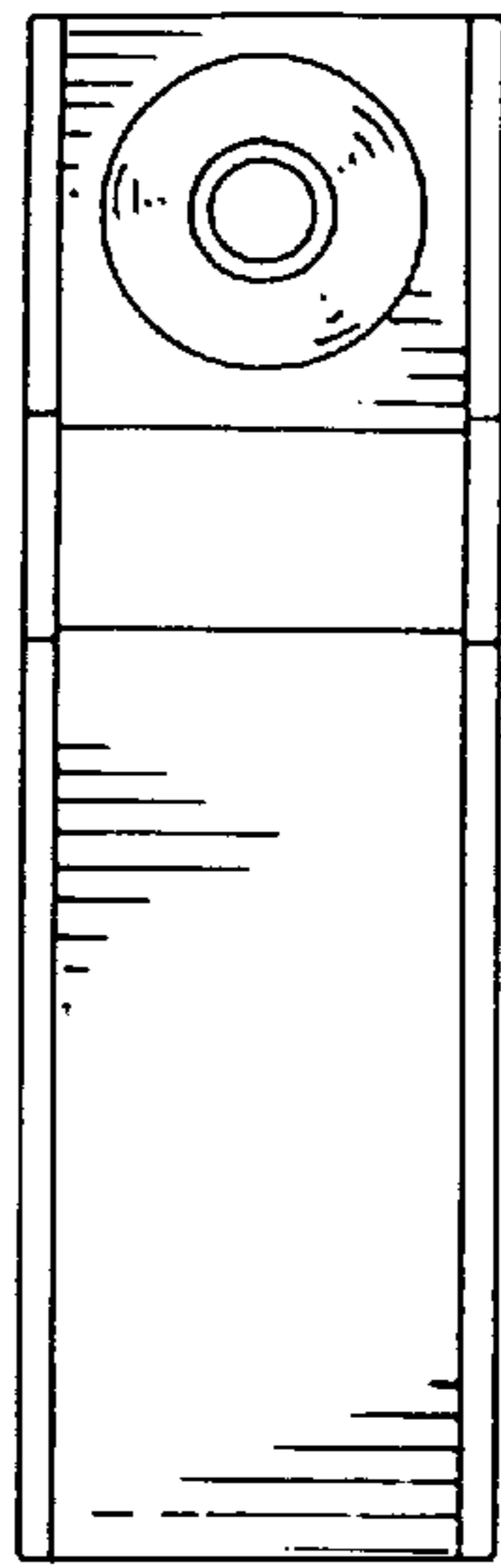


FIG. 5

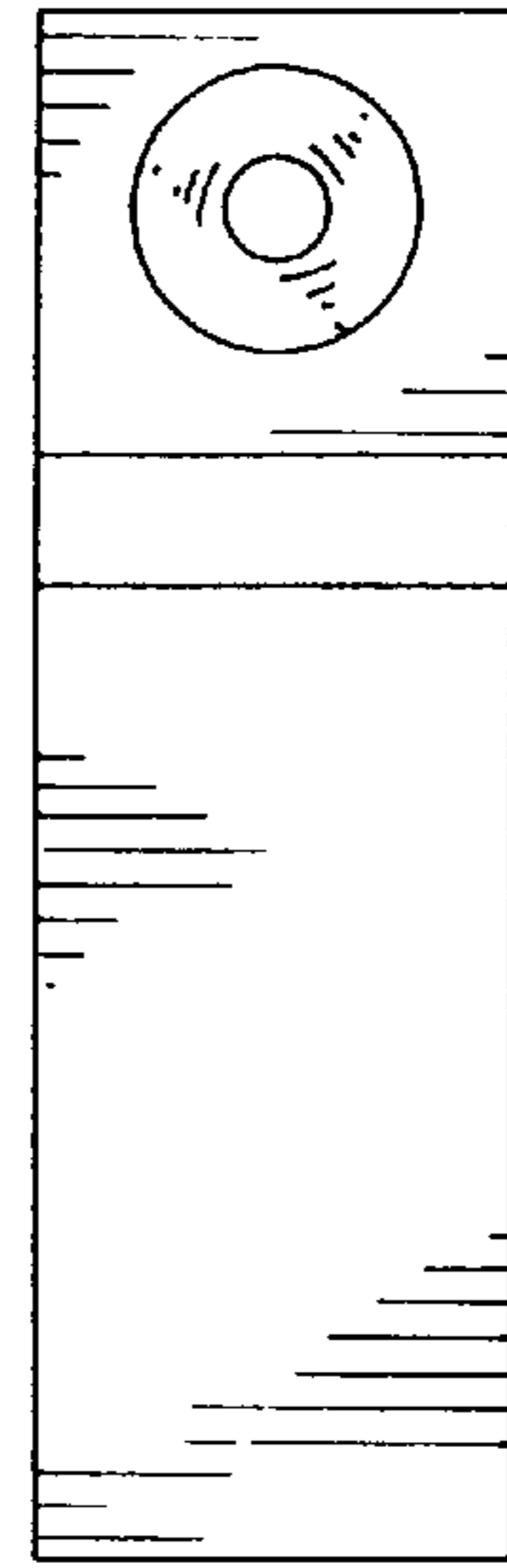


FIG. 6

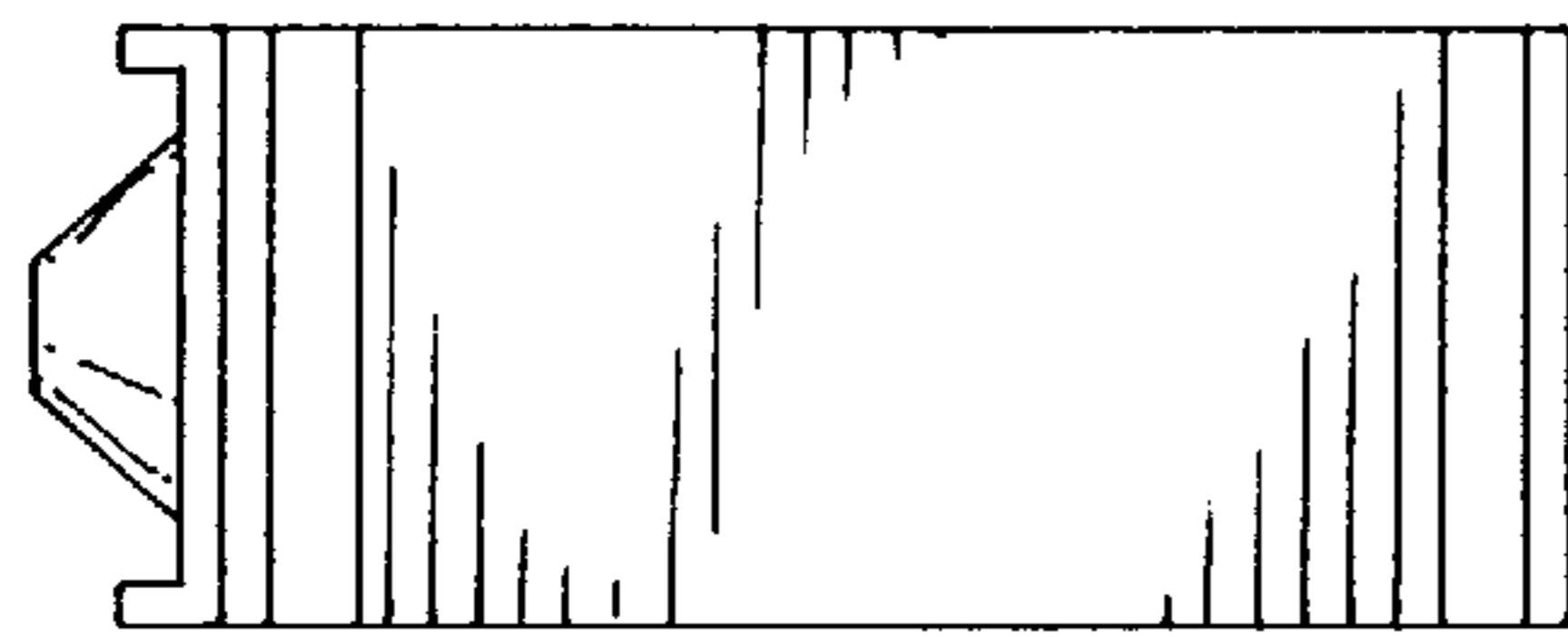


FIG. 7

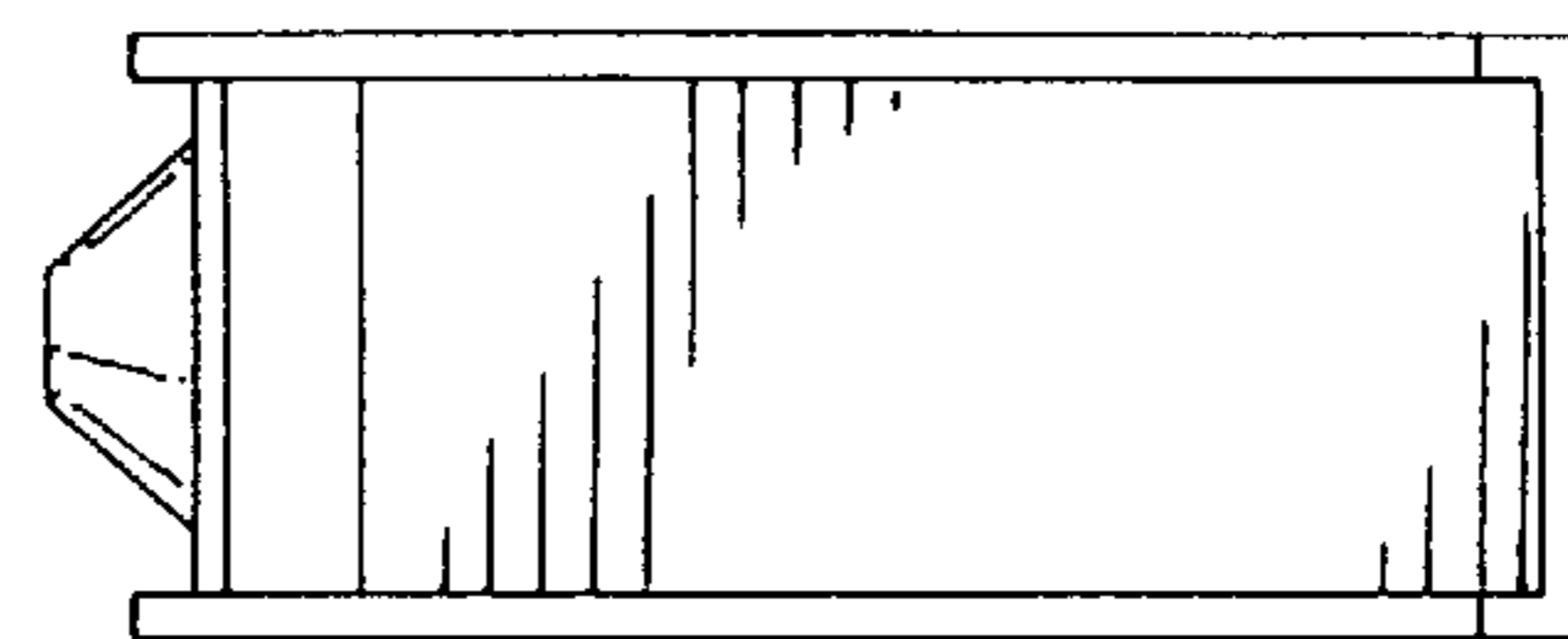


FIG. 8