



US00D404880S

# United States Patent [19] Chipperfield

[11] **Patent Number: Des. 404,880**

[45] **Date of Patent: \*\*Jan. 26, 1999**

[54] **SEATING FOR SHOPPING TROLLEYS**

[75] Inventor: **Douglas Chipperfield**, Somerset, United Kingdom

[73] Assignee: **Clares Merchandise Handling Equipment Ltd.**, Wells, United Kingdom

[\*\*] Term: **14 Years**

[21] Appl. No.: **73,406**

[22] Filed: **Jul. 8, 1997**

[30] **Foreign Application Priority Data**

Jan. 9, 1997	[GB]	United Kingdom	.....	2062283
Jan. 9, 1997	[GB]	United Kingdom	.....	2062284

[51] **LOC (6) Cl.** ..... **12-02**

[52] **U.S. Cl.** ..... **D34/27; D6/333**

[58] **Field of Search** ..... **D34/27; D12/133; 297/250.1; 280/33.993; D6/333, 339**

[56] **References Cited**

**U.S. PATENT DOCUMENTS**

D. 333,923	3/1993	Dainty	.....	D6/333
D. 341,723	11/1993	Edel	.....	D6/333
5,277,473	1/1994	Kelley et al.	.....	297/250.1

**FOREIGN PATENT DOCUMENTS**

2275895 9/1994 United Kingdom .

*Primary Examiner*—Kay H. Chin

*Attorney, Agent, or Firm*—Tarolli, Sundheim, Covell, Tummino & Szabo

[57] **CLAIM**

The ornamental design for seating for shopping trolleys, as shown and described.

**DESCRIPTION**

FIG. 1 is a perspective view from the rear and left side

showing a first embodiment of the seating for shopping trolleys in an open, use, condition;

FIG. 2 is a perspective view from the front and right side showing the first embodiment in the open, use, condition;

FIG. 3 is a view from below of the first embodiment in the open, use condition;

FIG. 4 is a view from above of the first embodiment in the open, use, condition;

FIG. 5 is a view from below of the first embodiment in a collapsed, non-use, condition;

FIG. 6 is a view from above of the first embodiment in a collapsed, non-use, condition;

FIG. 7 is a perspective view from the rear and left side showing a second embodiment of the seating for shopping trolleys in an open, use, condition;

FIG. 8 is a perspective view from the front and right side showing the second embodiment in the open, use, condition;

FIG. 9 is a view from below of the second embodiment in the open, use, condition;

FIG. 10 is a view from above of the second embodiment in the open, use condition;

FIG. 11 is a view from below of the second embodiment in a collapsed, non-use, condition;

FIG. 12 is a view from above of the second embodiment in the collapsed, non-use, condition;

FIG. 13 is a view from the left side showing the first and second embodiments in the open, use, condition; and,

FIG. 14 is a view from the left side showing the first and second embodiments in the collapsed, non-use, condition.

**1 Claim, 8 Drawing Sheets**

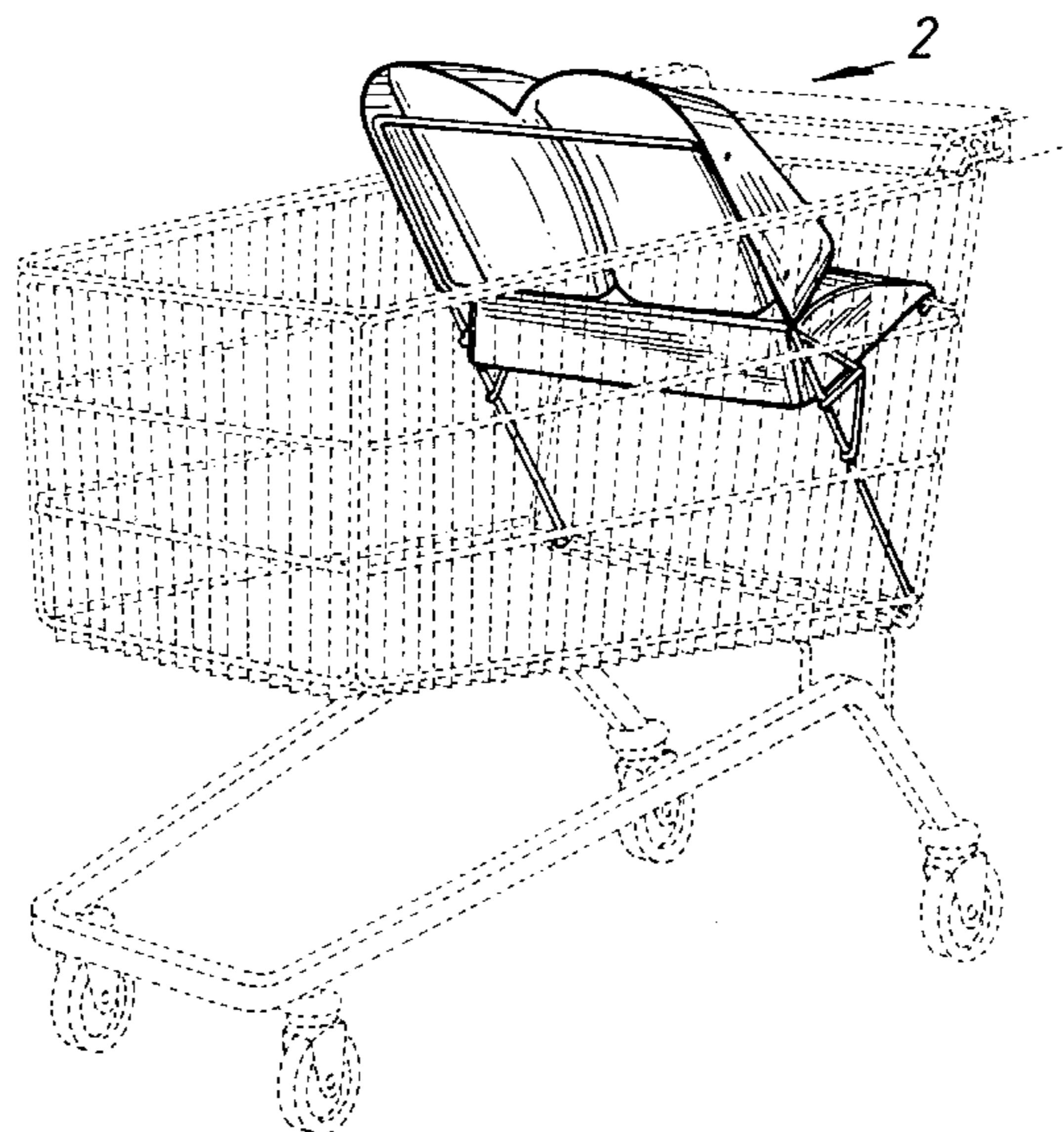


FIG. 1

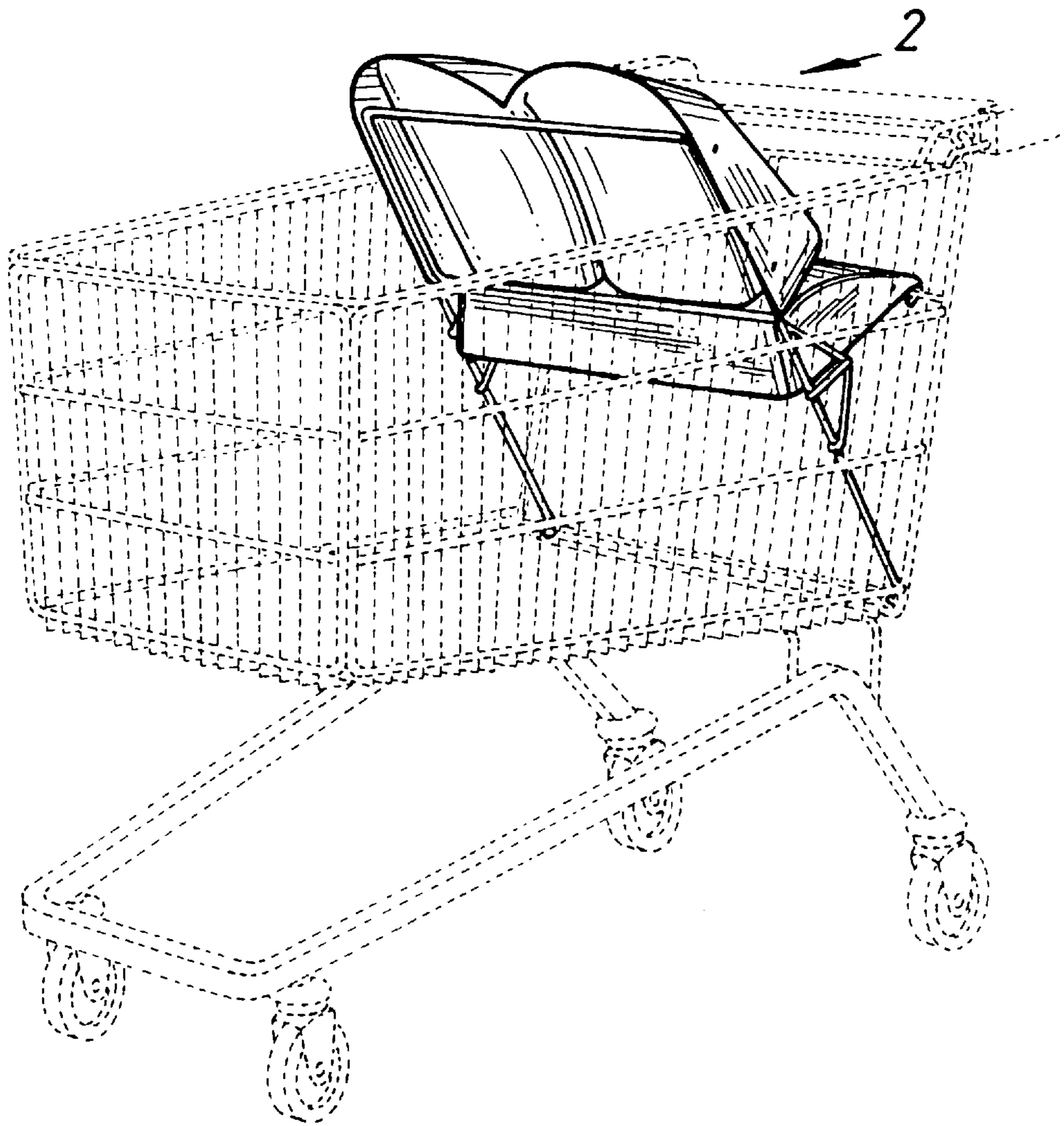


FIG. 2

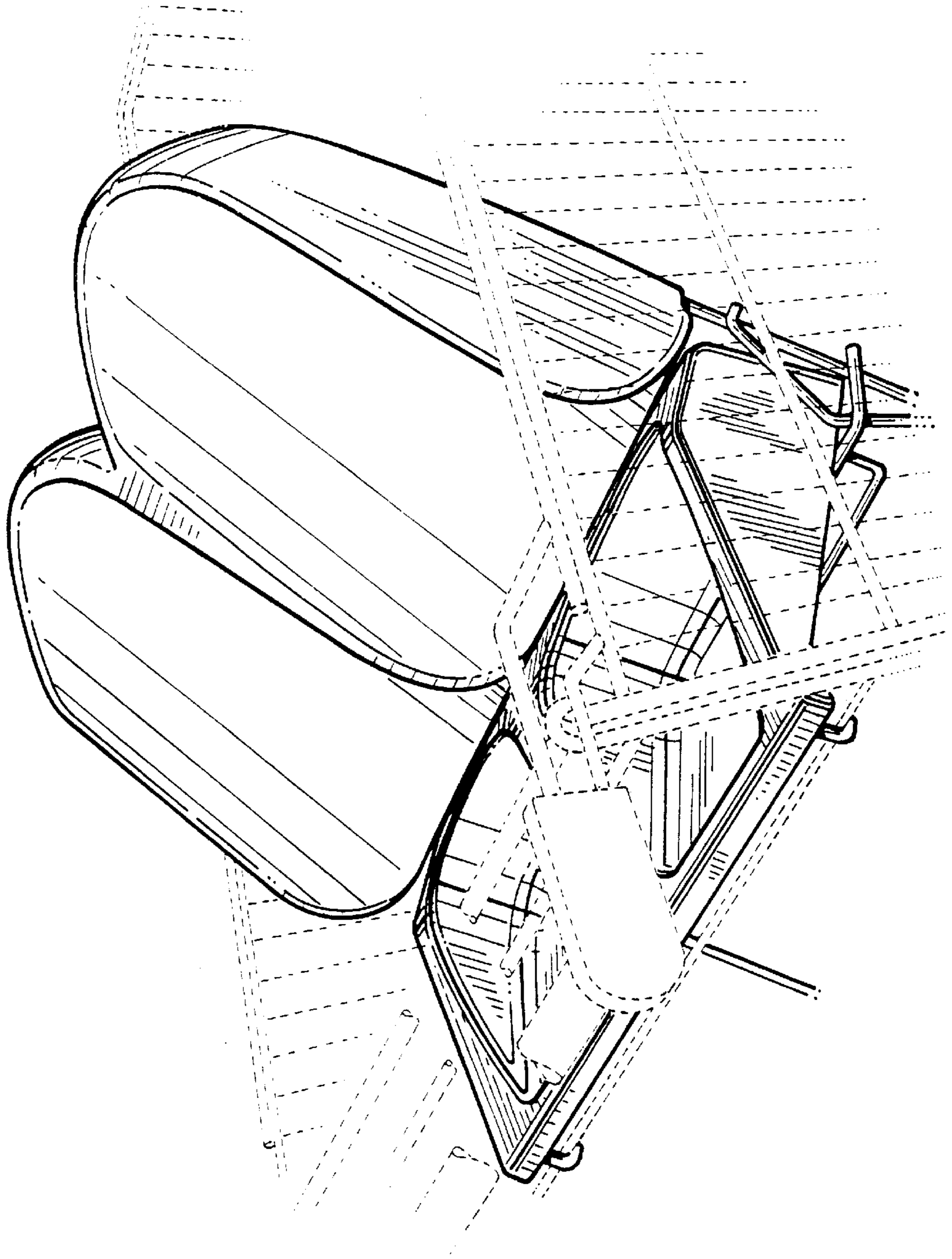


FIG. 3

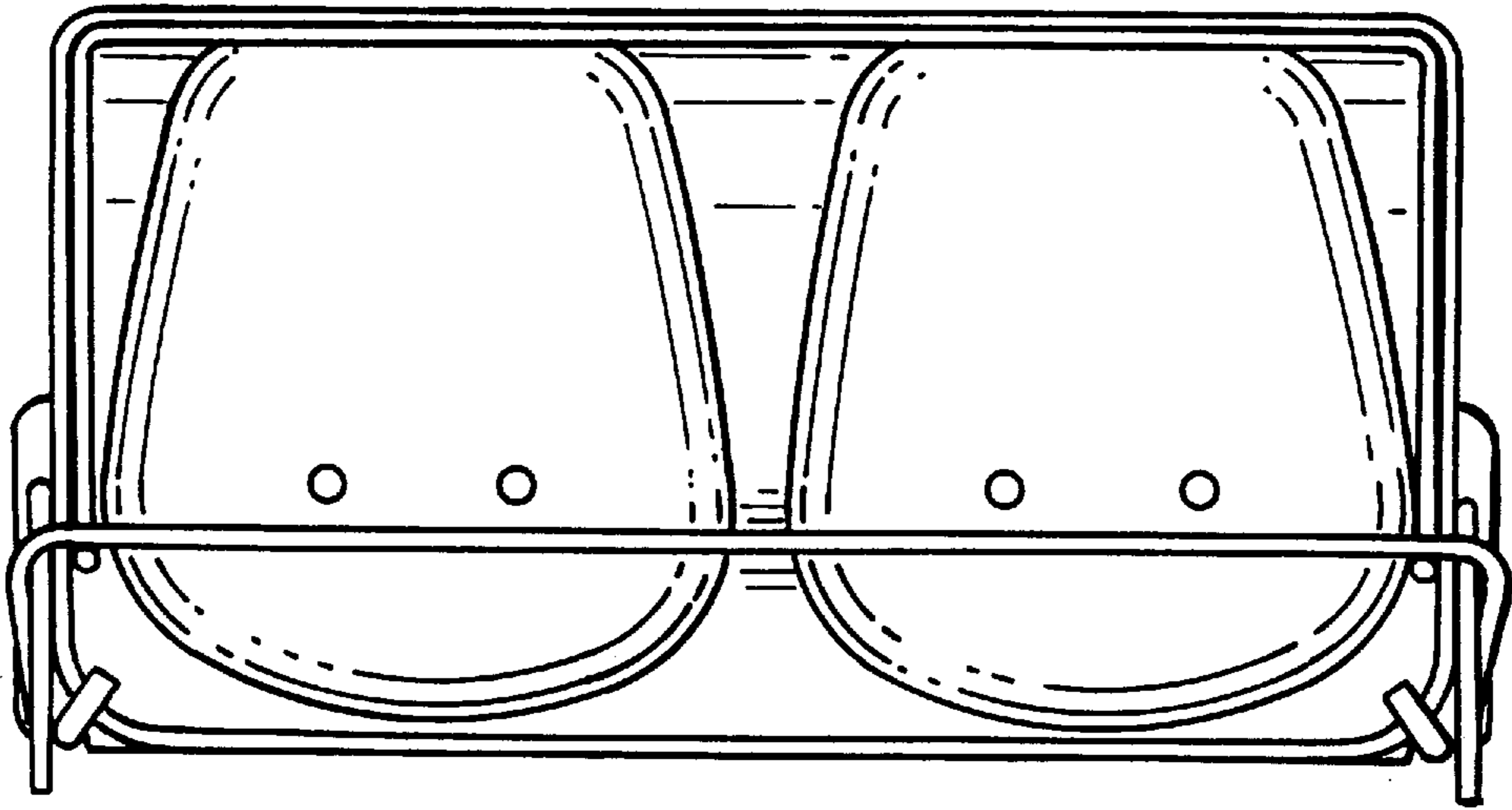
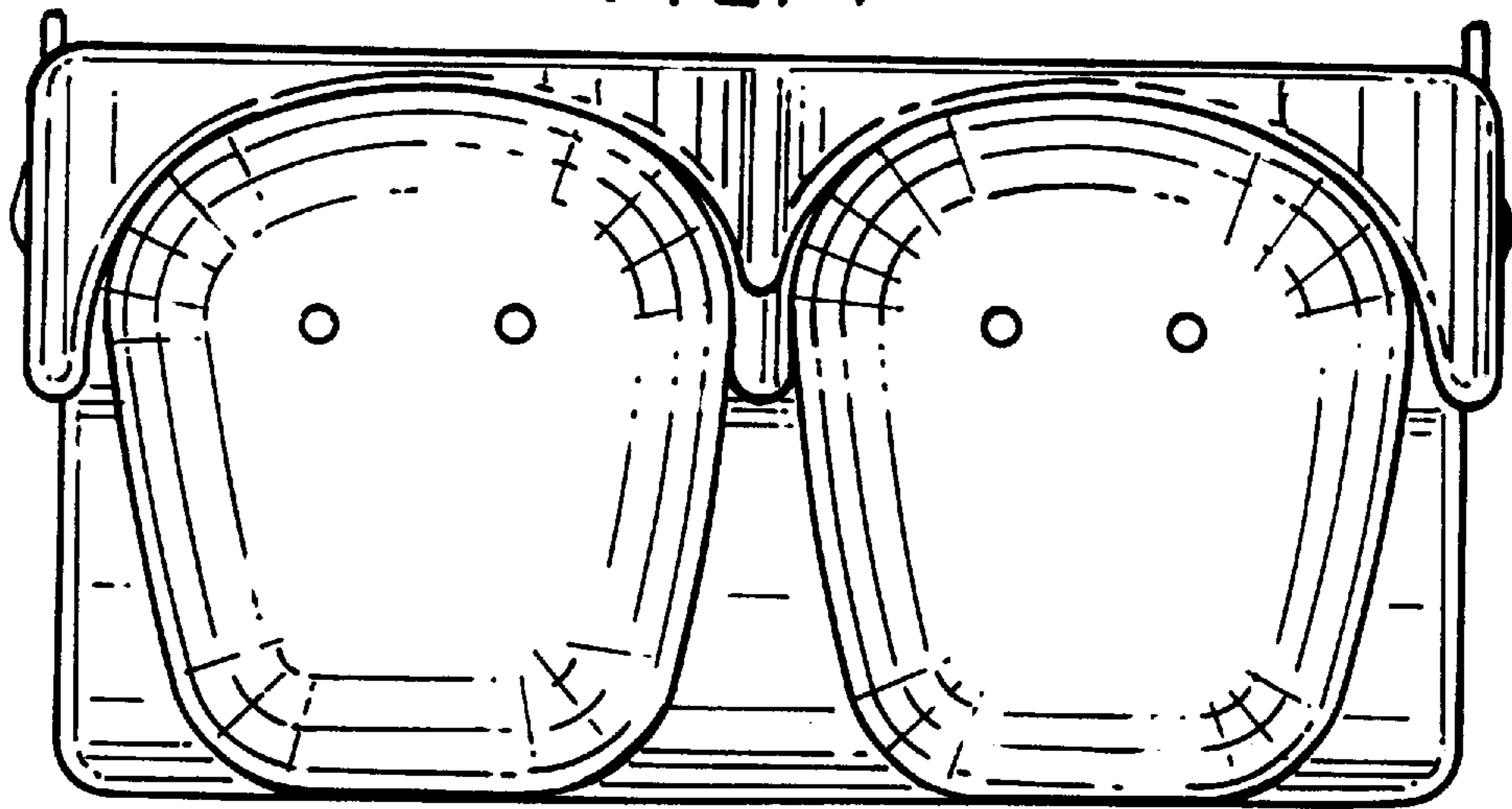
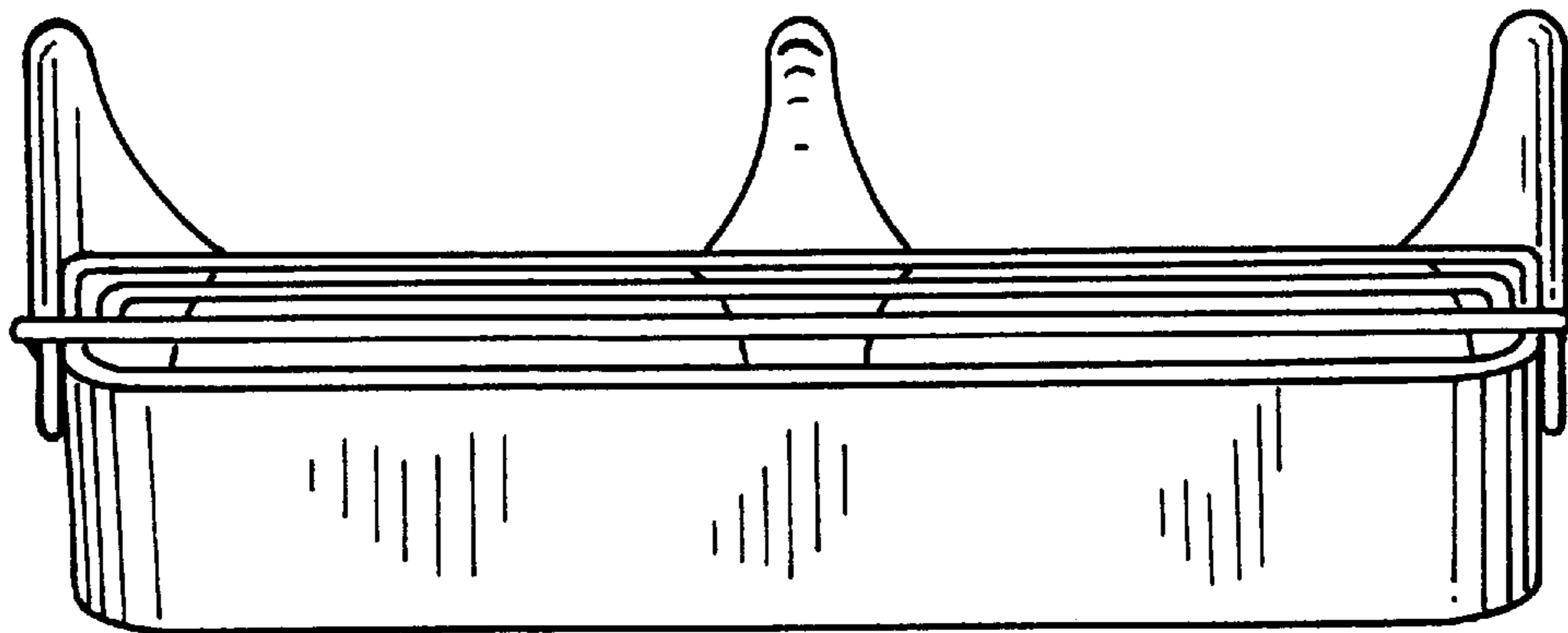


FIG. 4



*FIG. 5*



*FIG. 6*

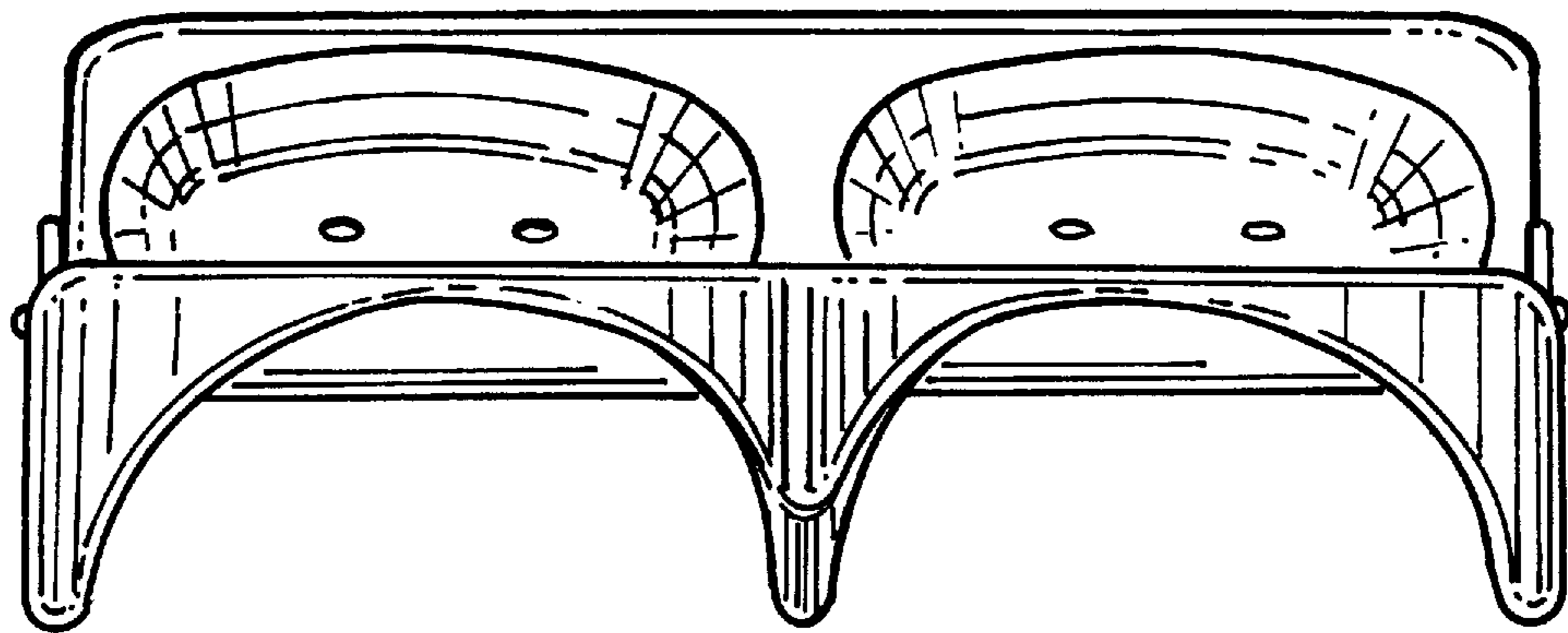
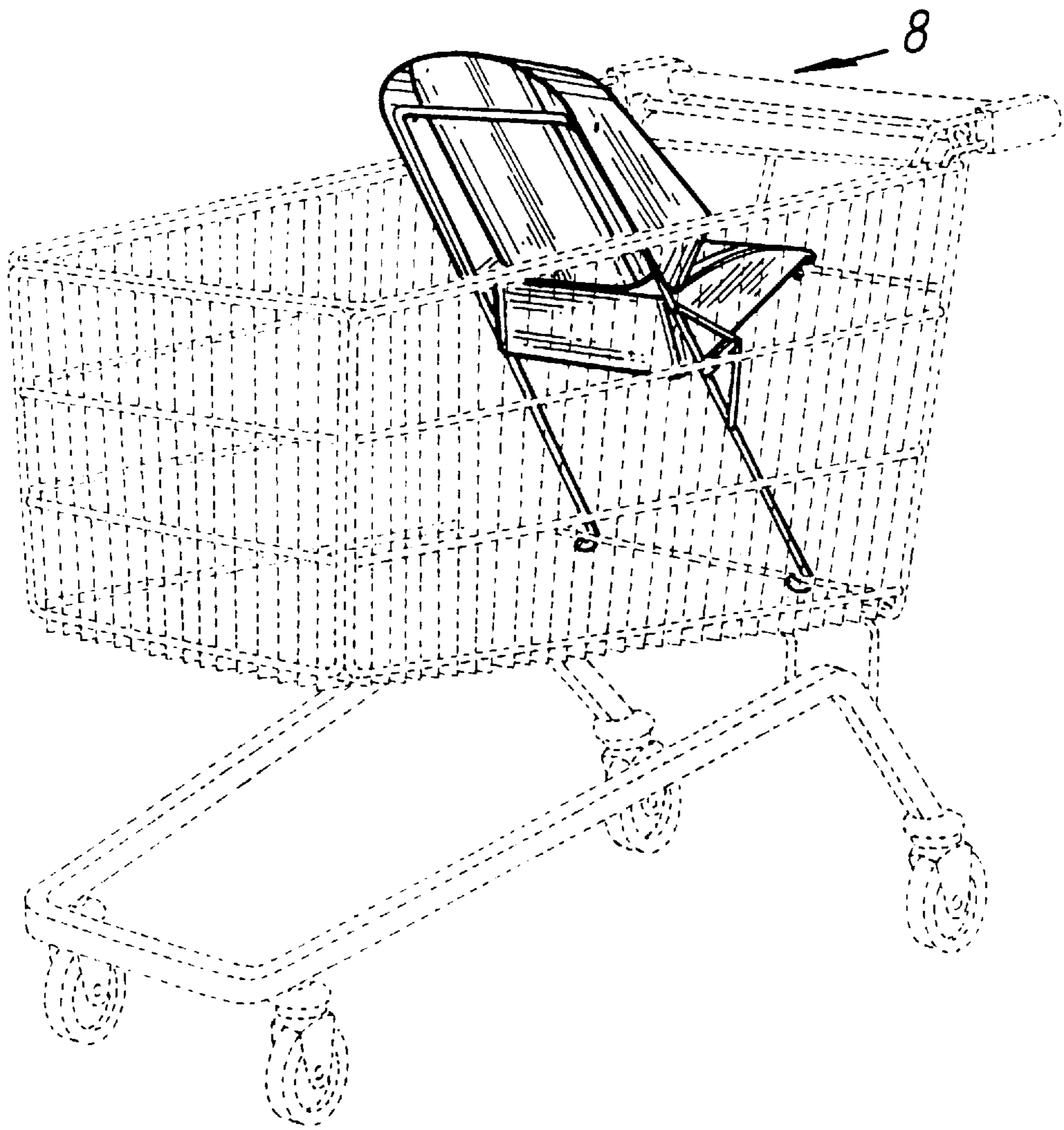


FIG. 7



*FIG. 8*

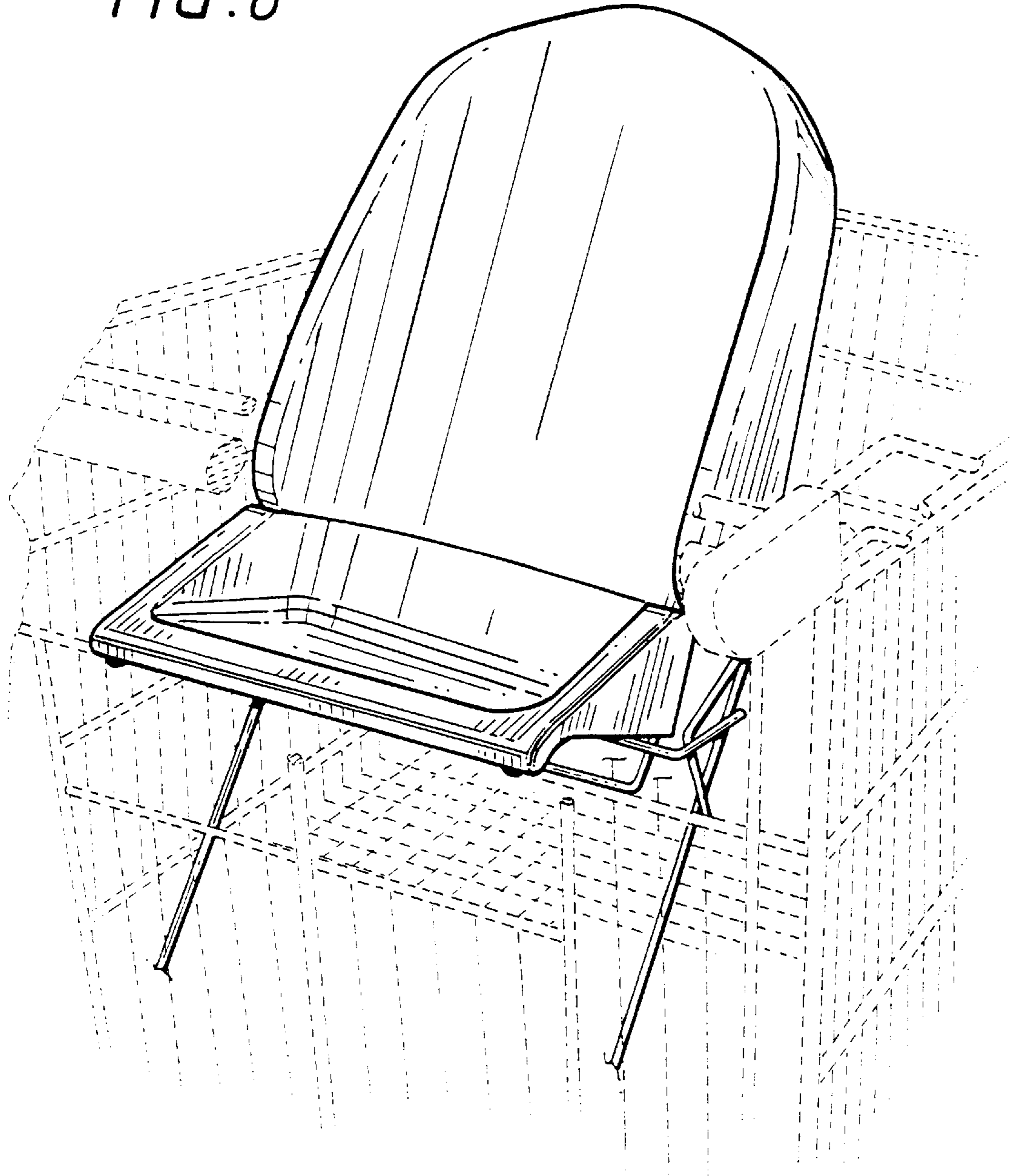


FIG. 9

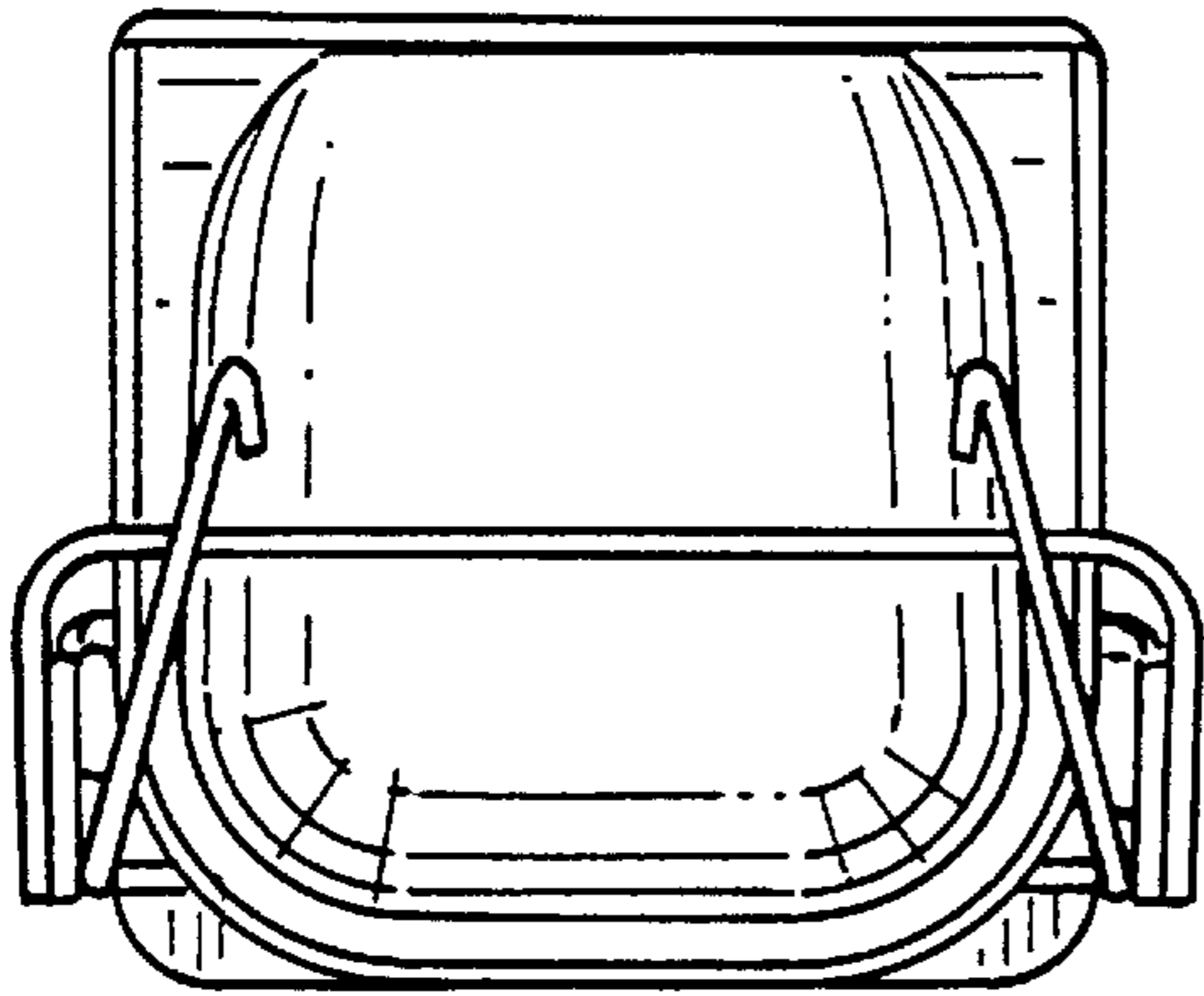


FIG. 10

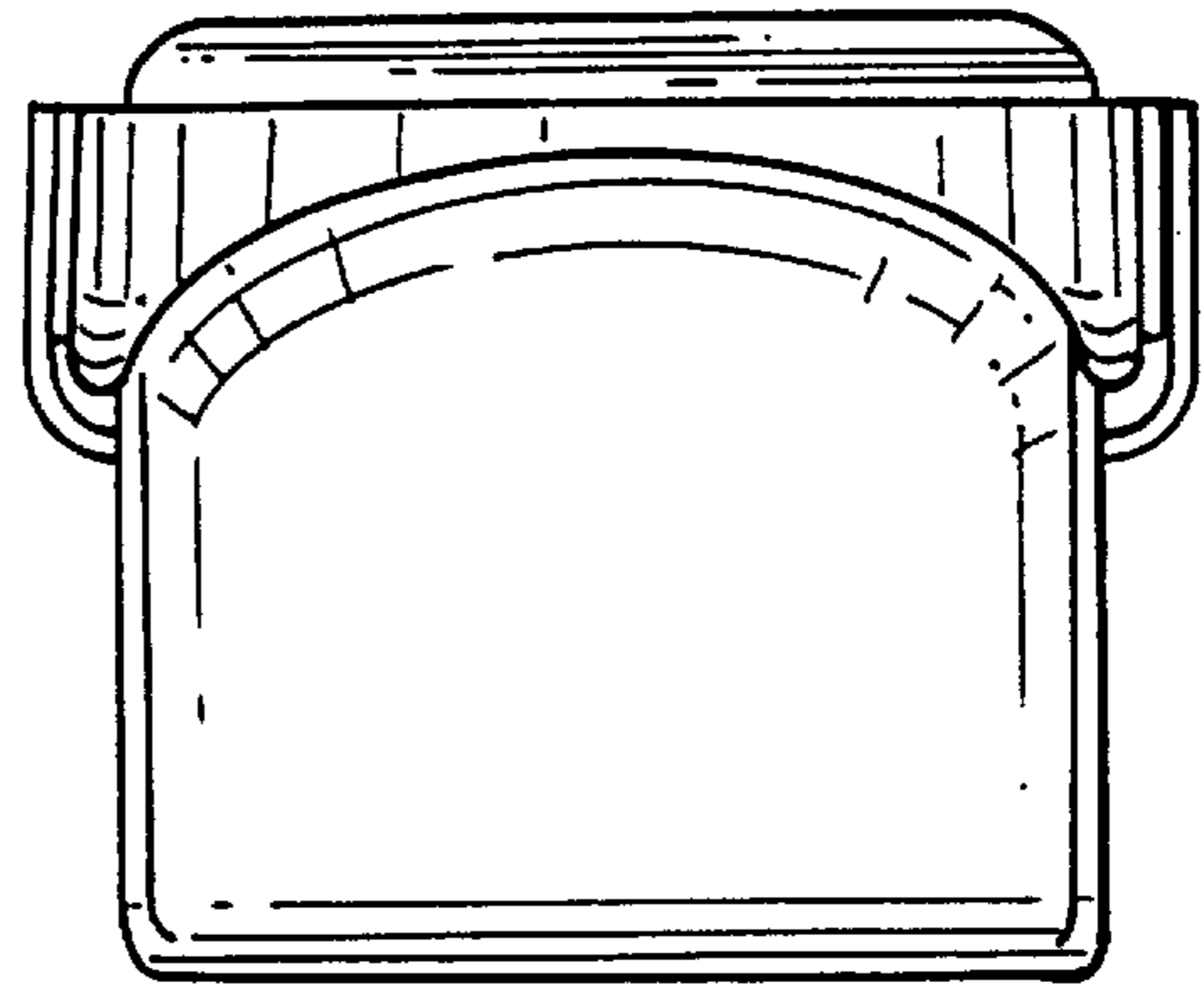


FIG. 11

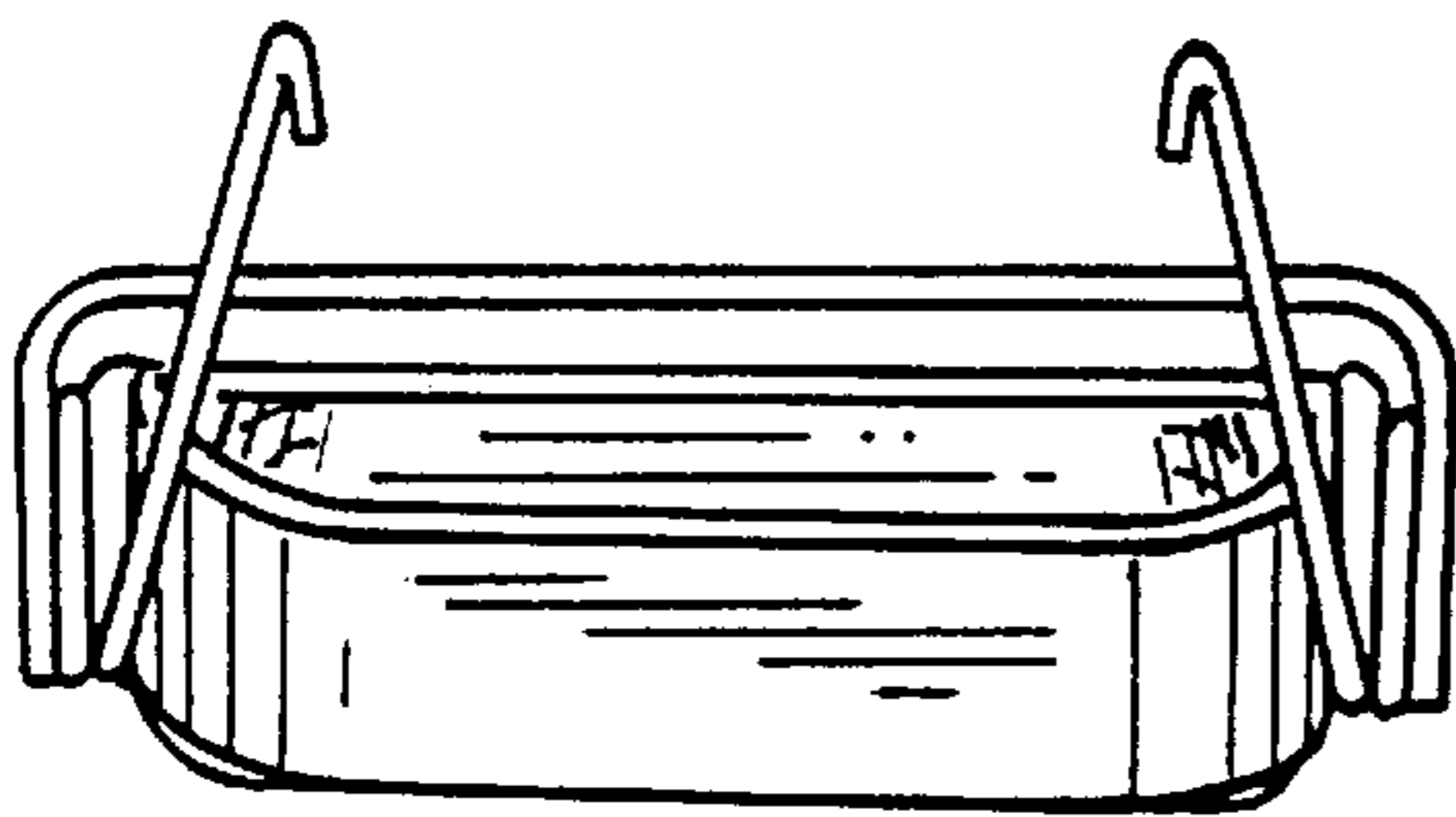
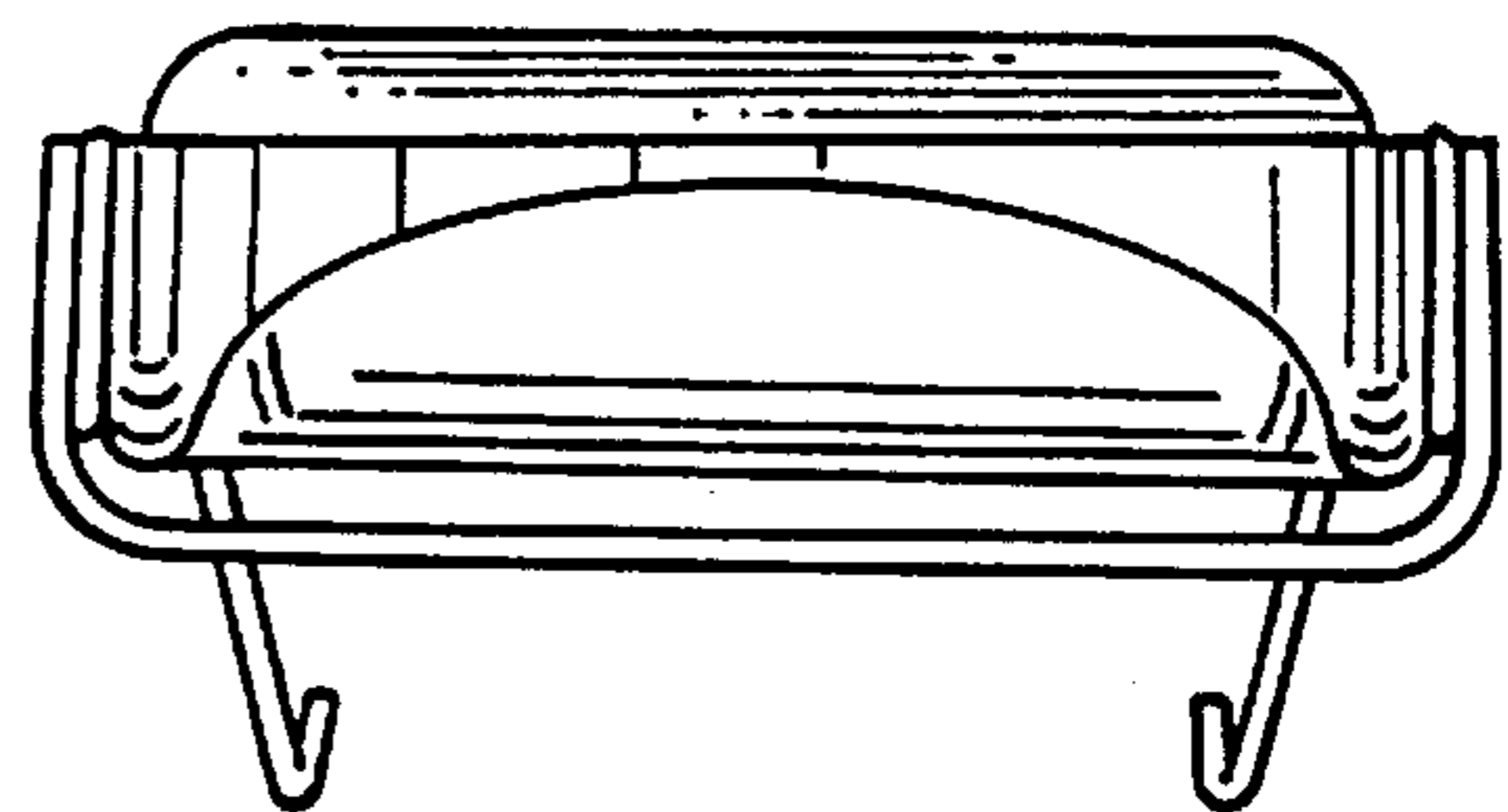


FIG. 12





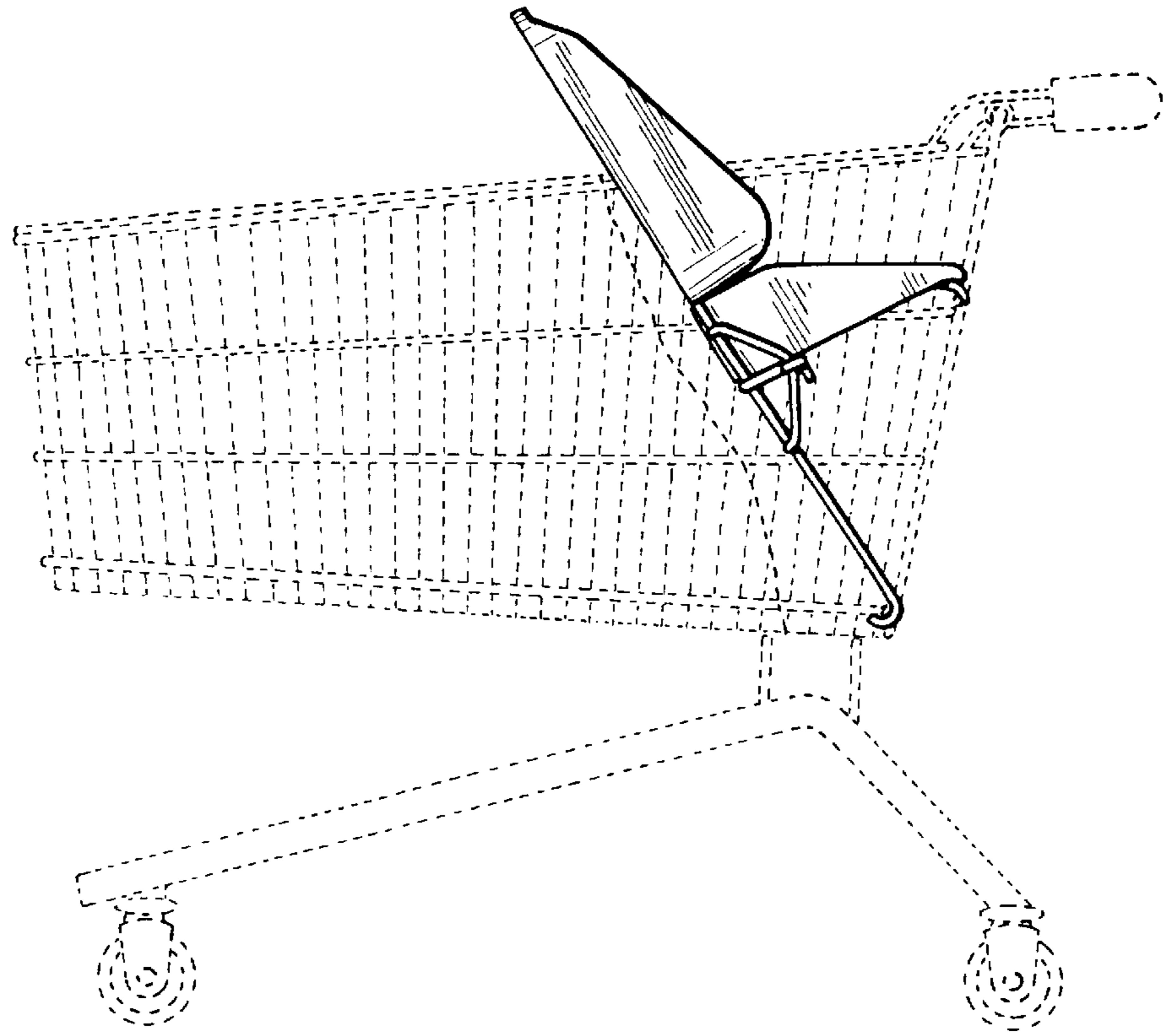


FIG. 13

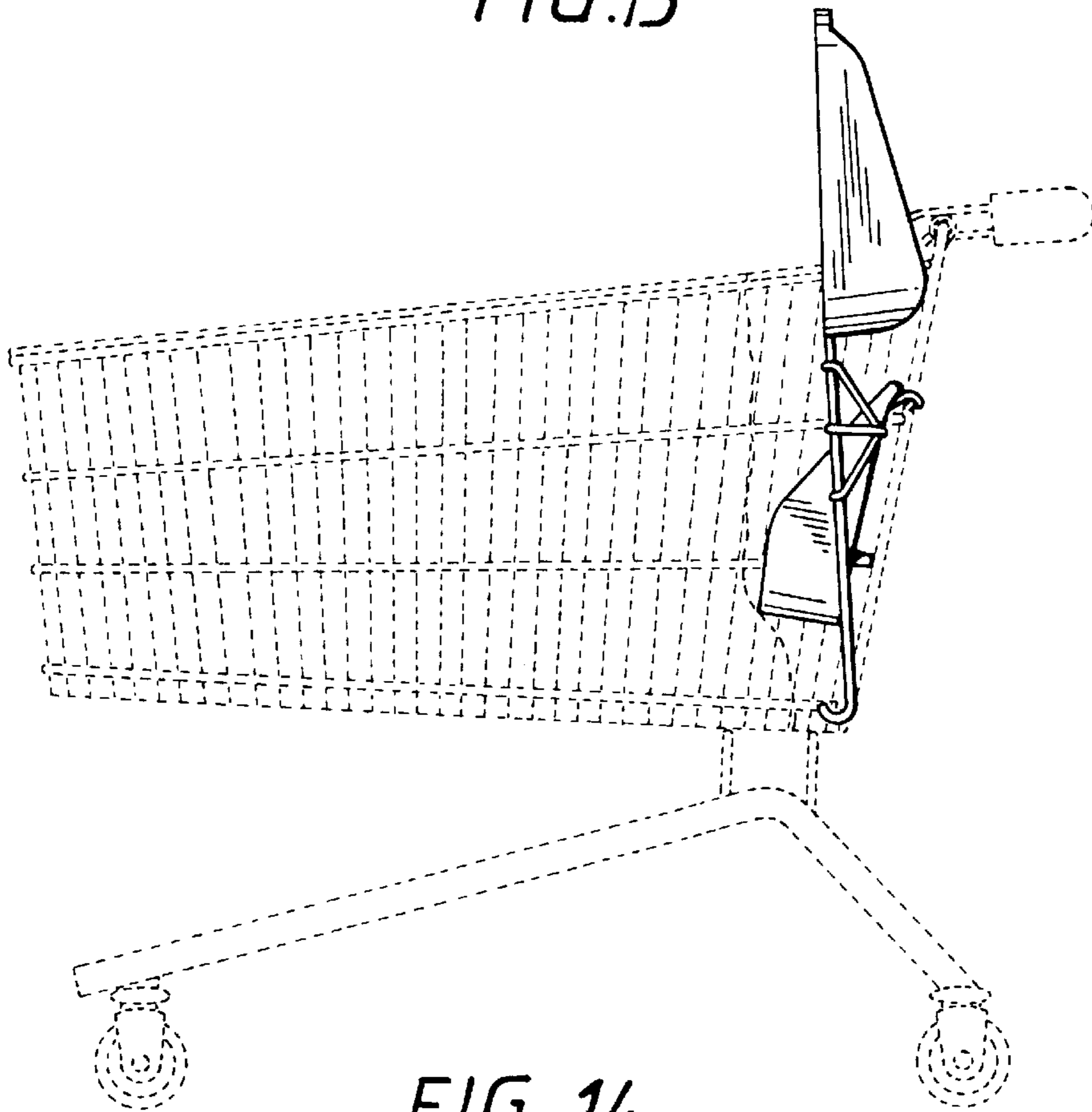


FIG. 14