



US00D404879S

United States Patent [19]

Murakami et al.

[11] Patent Number: Des. 404,879

[45] Date of Patent: **Jan. 26, 1999

[54] TRACTION ATTACHMENT

[75] Inventors: **Takeyasu Murakami; Shouji Fukunaga**, both of Shizuoka, Japan

[73] Assignee: **Yazaki Industrial Chemical Company, Ltd.**, Shizuoka, Japan

[**] Term: **14 Years**

[21] Appl. No.: **69,697**

[22] Filed: **Apr. 4, 1997**

[51] **LOC (6) Cl.** **12-02**

[52] **U.S. Cl.** **D34/27**

[58] **Field of Search** D34/12-27; 414/426, 414/462, 474, 483; 180/15, 16; 280/28.5, 79.11, 47.2, 304.5; 152/216, 230

[56] References Cited

U.S. PATENT DOCUMENTS

D. 366,547	1/1996	Arn	D34/23
3,533,640	10/1970	Fator	180/15
5,582,114	12/1996	Feiner	280/304.5 X
5,609,461	3/1997	Lichtenberg	414/426

Primary Examiner—Kay H. Chin
Attorney, Agent, or Firm—Eric P. Schellin

[57] CLAIM

The ornamental design for a traction attachment for a carriage, as shown and described.

DESCRIPTION

FIG. 1 is a top plan, front and left side perspective view of a traction attachment showing our new design;
 FIG. 2 is a top plan view;
 FIG. 3 is a front elevational view;
 FIG. 4 is a bottom plan view;
 FIG. 5 is a left side elevational view;
 FIG. 6 is a right side elevational view;
 FIG. 7 is a cross sectional view taken on line VII—VII of FIG. 2;
 FIG. 8 is a front elevational view illustrating an embodiment of utilization of a traction attachment for carriages which is shown by solid lines; and,
 FIG. 9 is a reference view illustrating the embodiment of utilization of the traction attachment which is a use state to be mounted at a specified position between a carriage disposed before the traction attachment and another carriage disposed therebehind.
 The front elevational view and a rear elevational view thereof are symmetrically manufactured, the rear elevational view is eliminated.

1 Claim, 5 Drawing Sheets

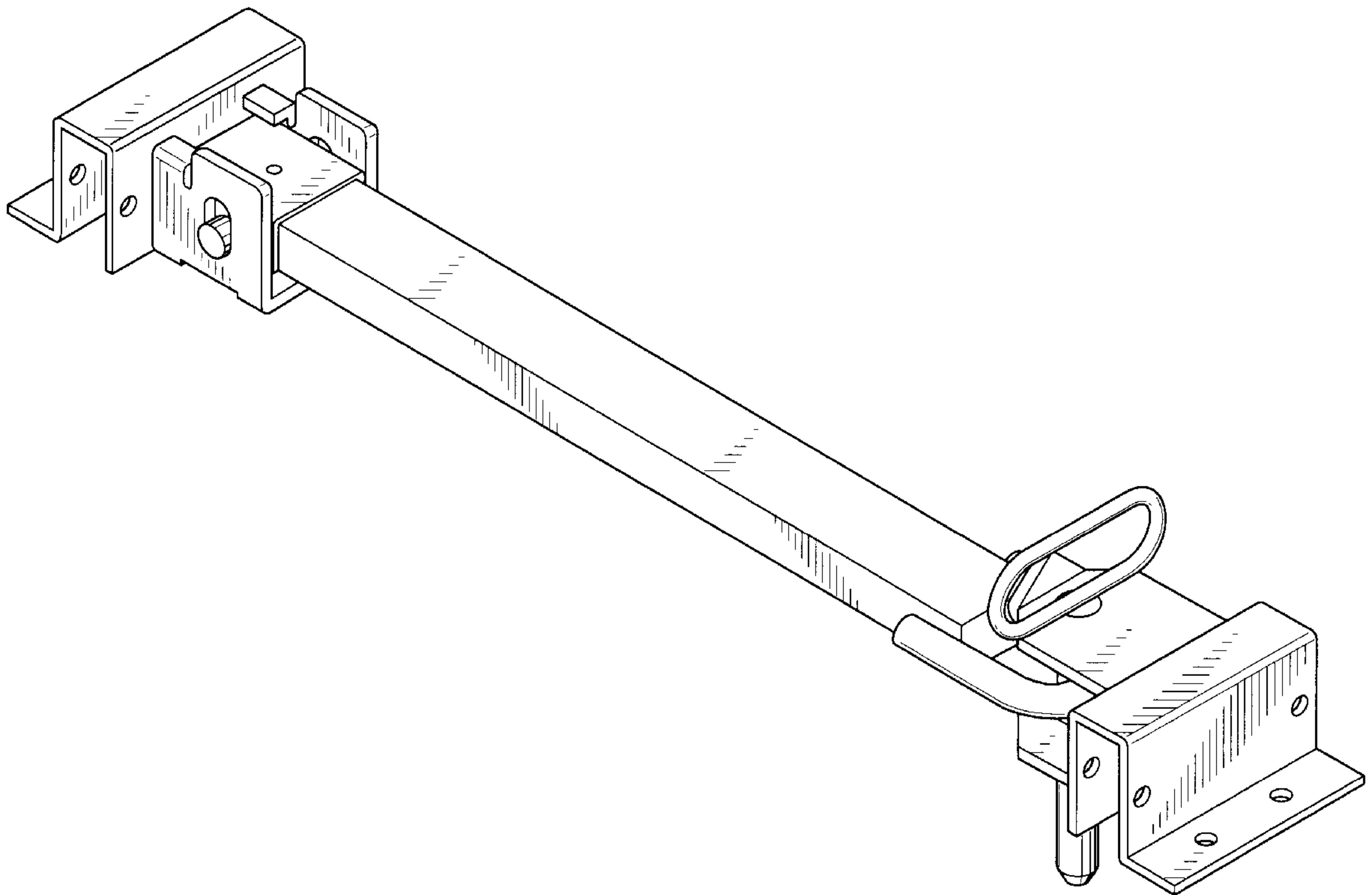


FIG. 1

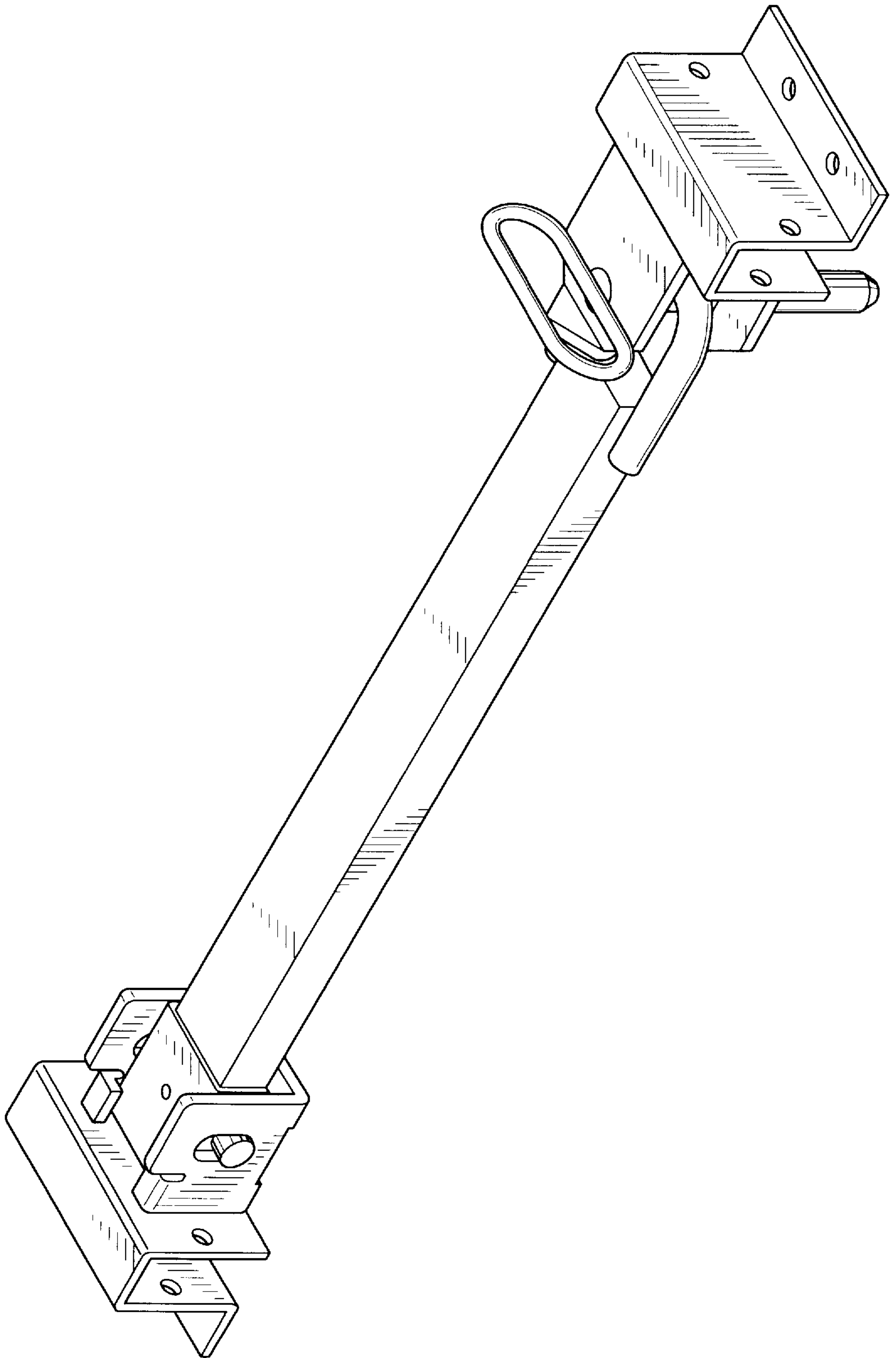


FIG. 2

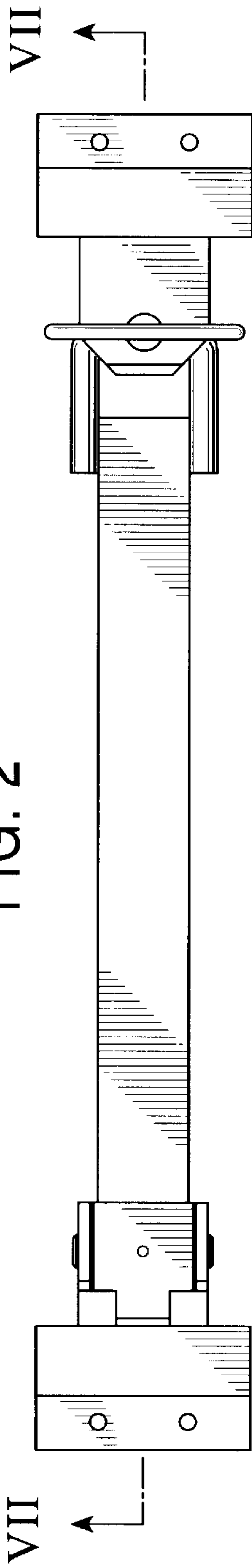


FIG. 3

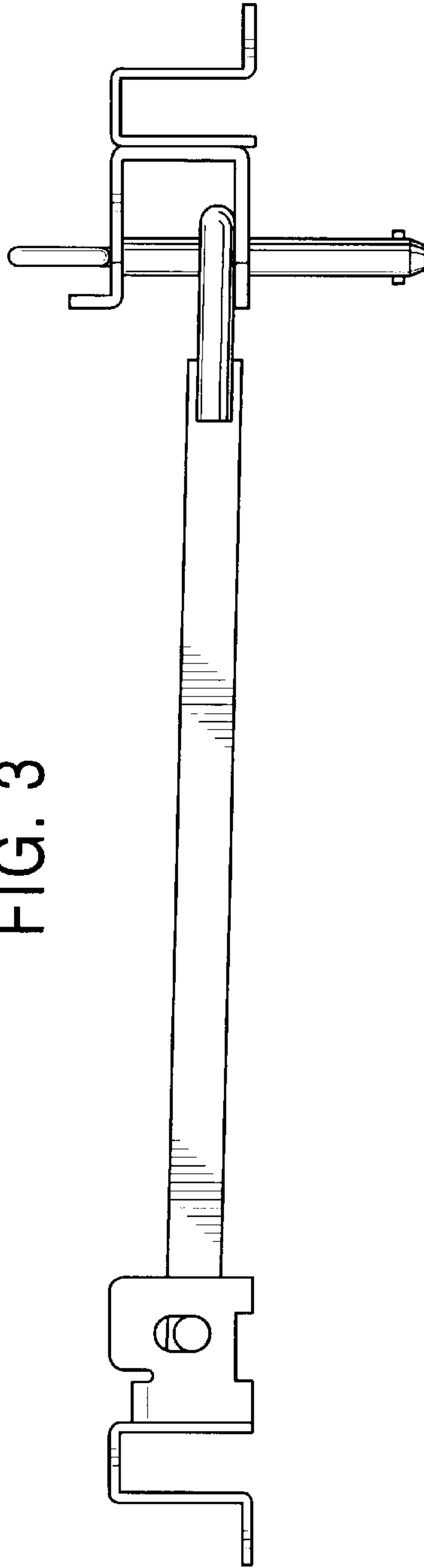


FIG. 4

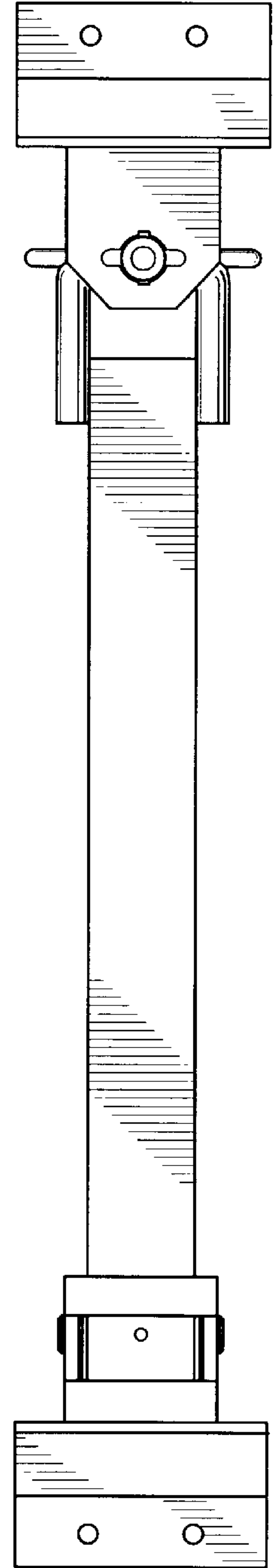


FIG. 5

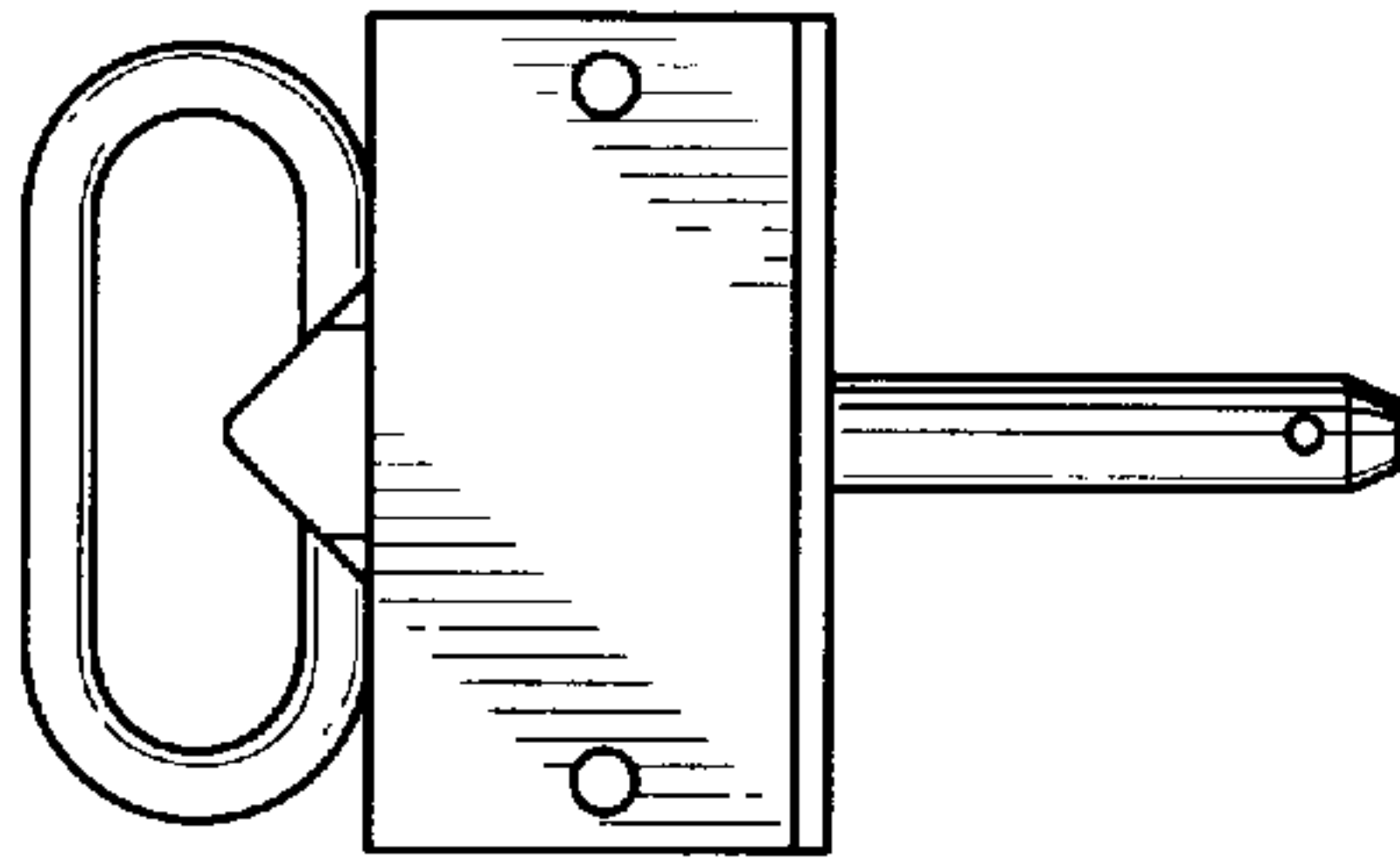


FIG. 6

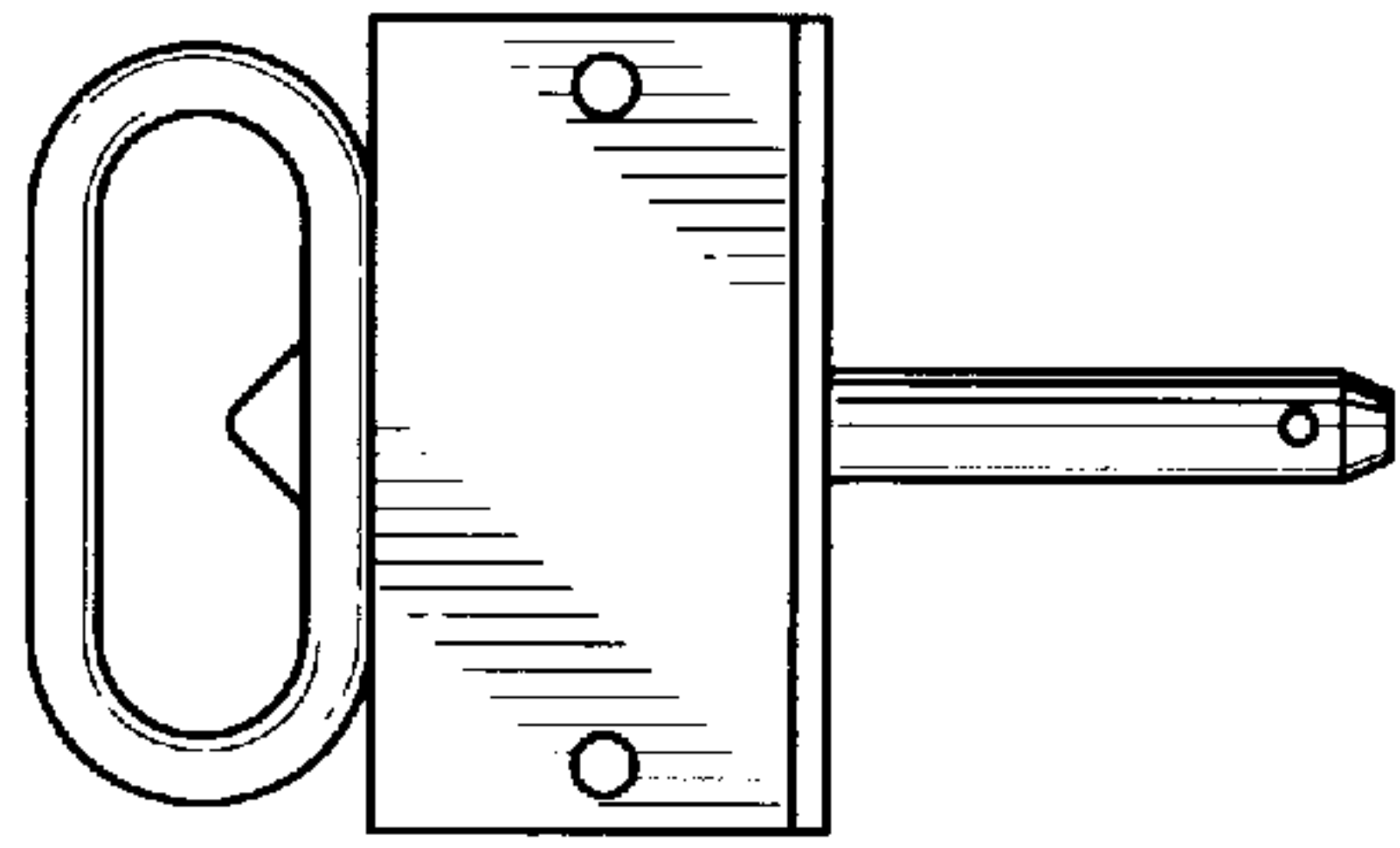


FIG. 7

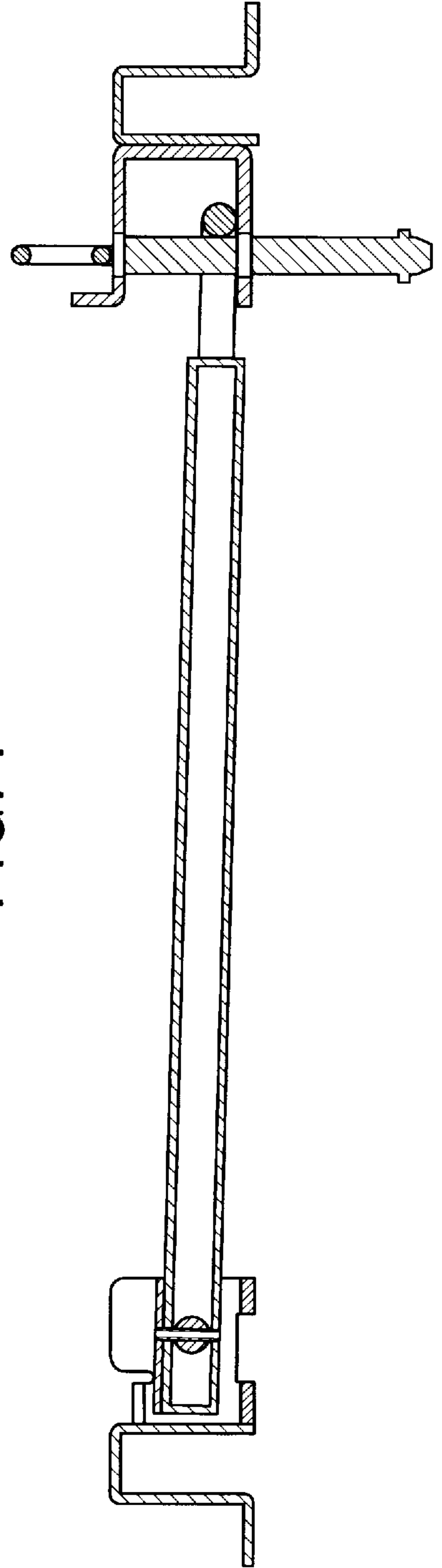


FIG. 8

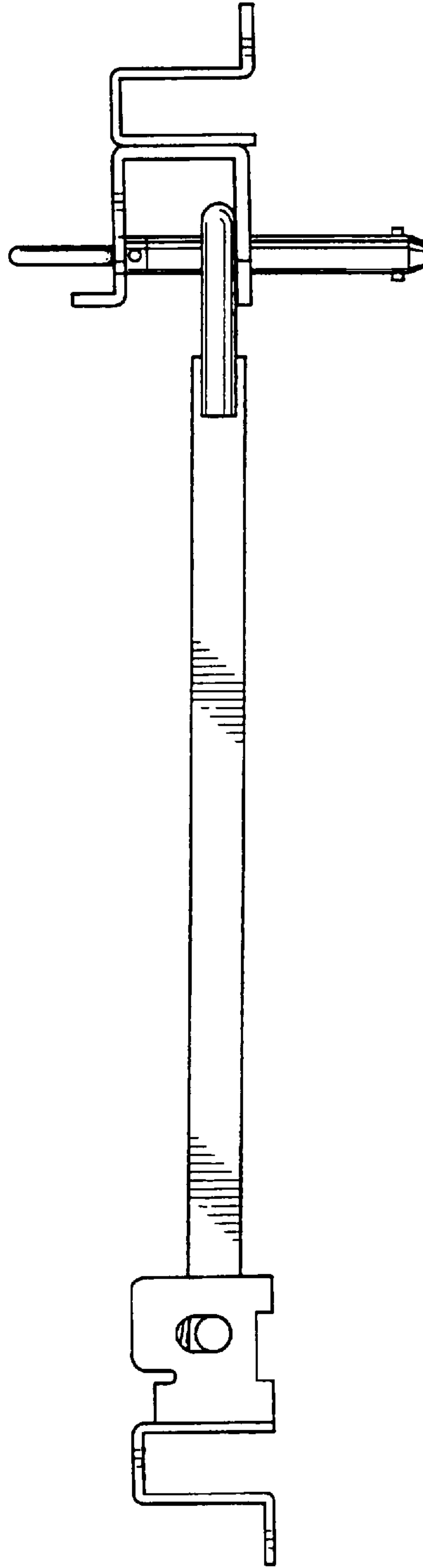


FIG. 9

