



US00D404877S

United States Patent [19] Popham

[11] **Patent Number: Des. 404,877**

[45] **Date of Patent: **Jan. 26, 1999**

[54] **HAND TRUCK**

D. 373,669 9/1996 Perkins, Sr. D34/24

[76] Inventor: **Brian Popham**, 1115 Kaski La.,
Concord, Calif. 94518

Primary Examiner—Kay H. Chin
Attorney, Agent, or Firm—Douglas E. Mackenzie

[**] Term: **14 Years**

[57] **CLAIM**

[21] Appl. No.: **85,578**

The ornamental design for a hand truck, as shown.

[22] Filed: **Mar. 26, 1998**

DESCRIPTION

[51] **LOC (6) Cl.** **12-02**

FIG. 1 is a front elevational view of the hand truck showing my new design;

[52] **U.S. Cl.** **D34/24; D34/26**

FIG. 2 is a rear elevational view thereof;

[58] **Field of Search** D34/12-27; 280/47.24,
280/47.27, 47.28, 47.17, 47.19, 47.26, 652,
654, 655, 79.11, 79.2, 79.3

FIG. 3 is a left side elevational view thereof;

FIG. 4 is a right side elevational view thereof;

FIG. 5 is a top plan view thereof; and,

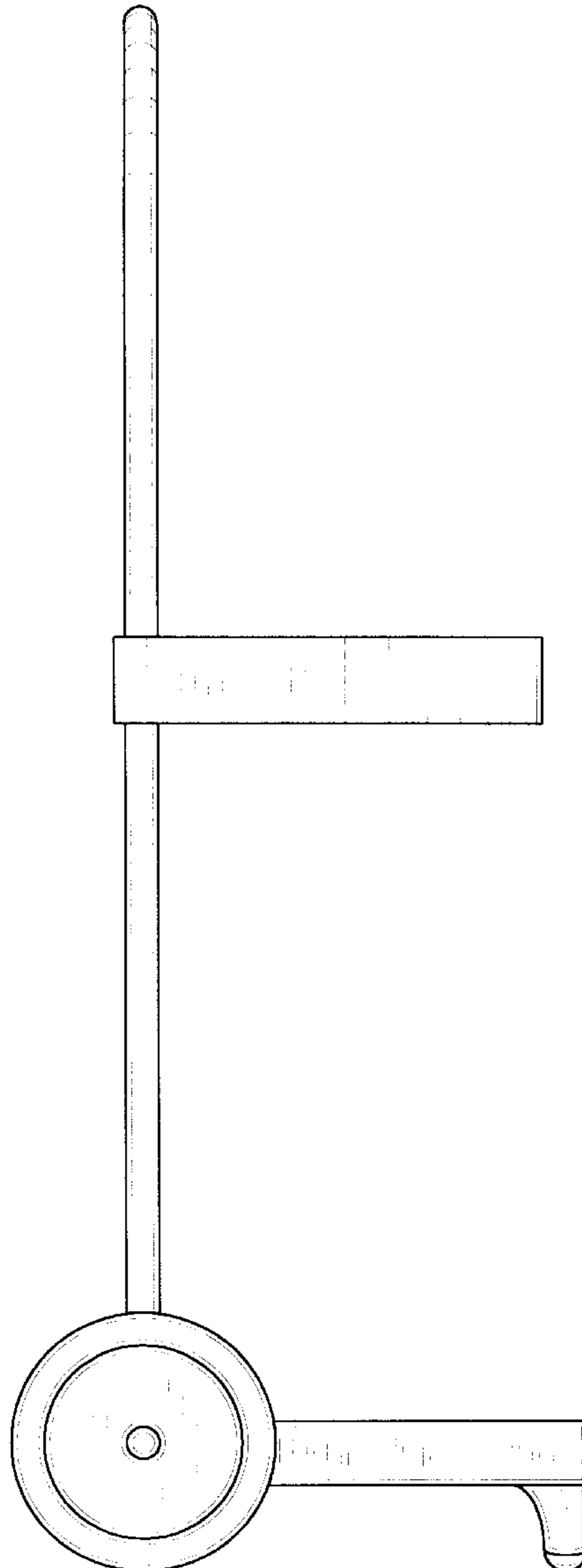
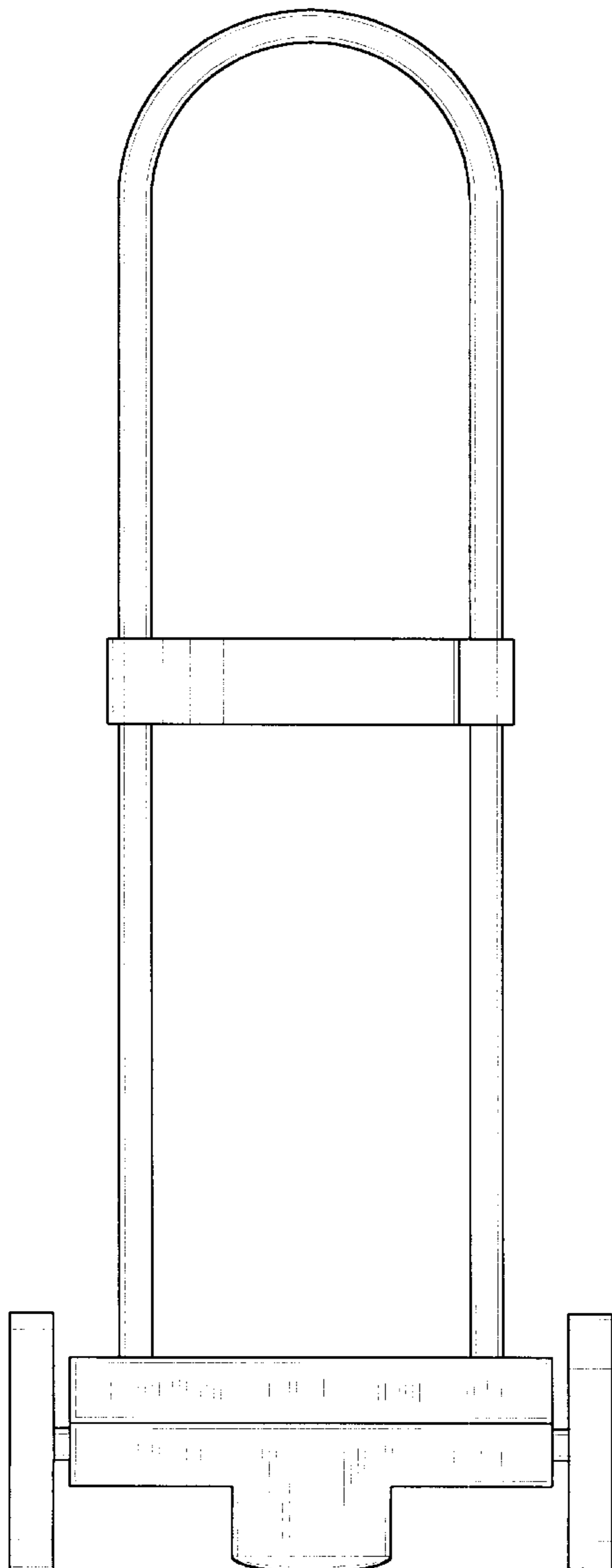
FIG. 6 is a bottom plan view thereof.

[56] **References Cited**

U.S. PATENT DOCUMENTS

D. 286,699 11/1986 Thomas, Jr. D34/26

1 Claim, 3 Drawing Sheets



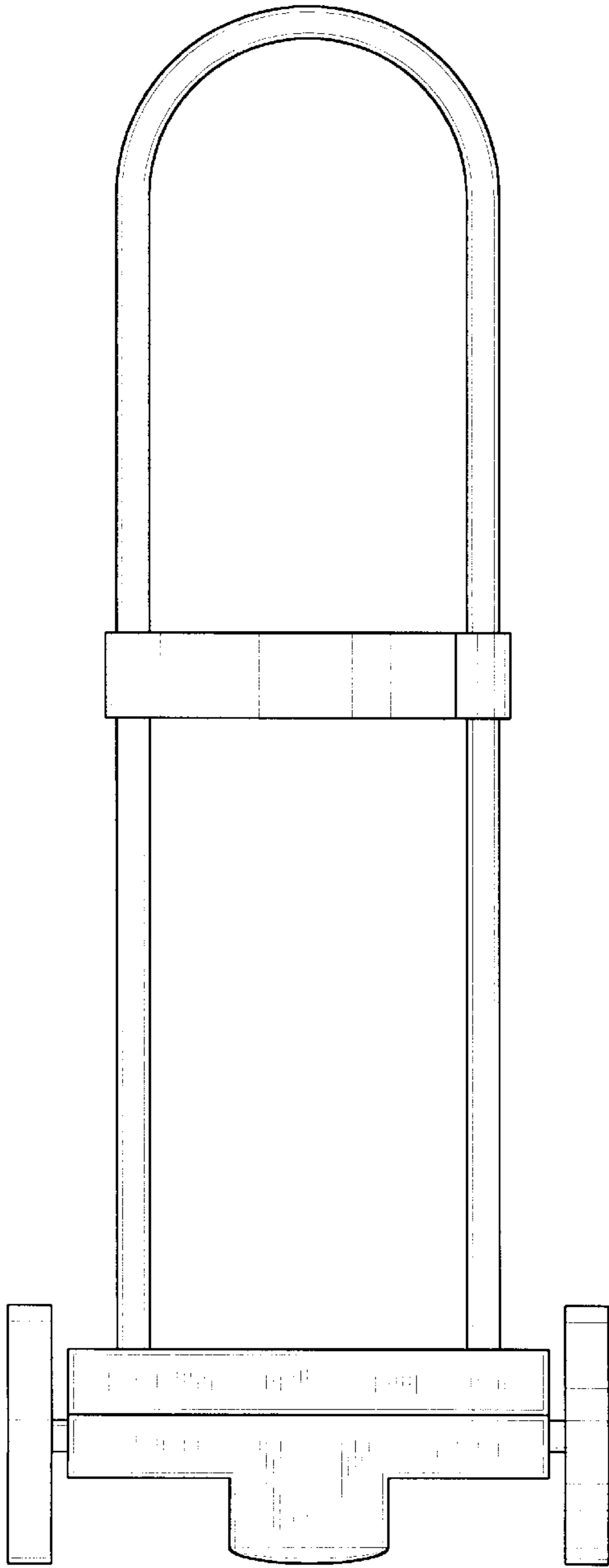


Fig. 1

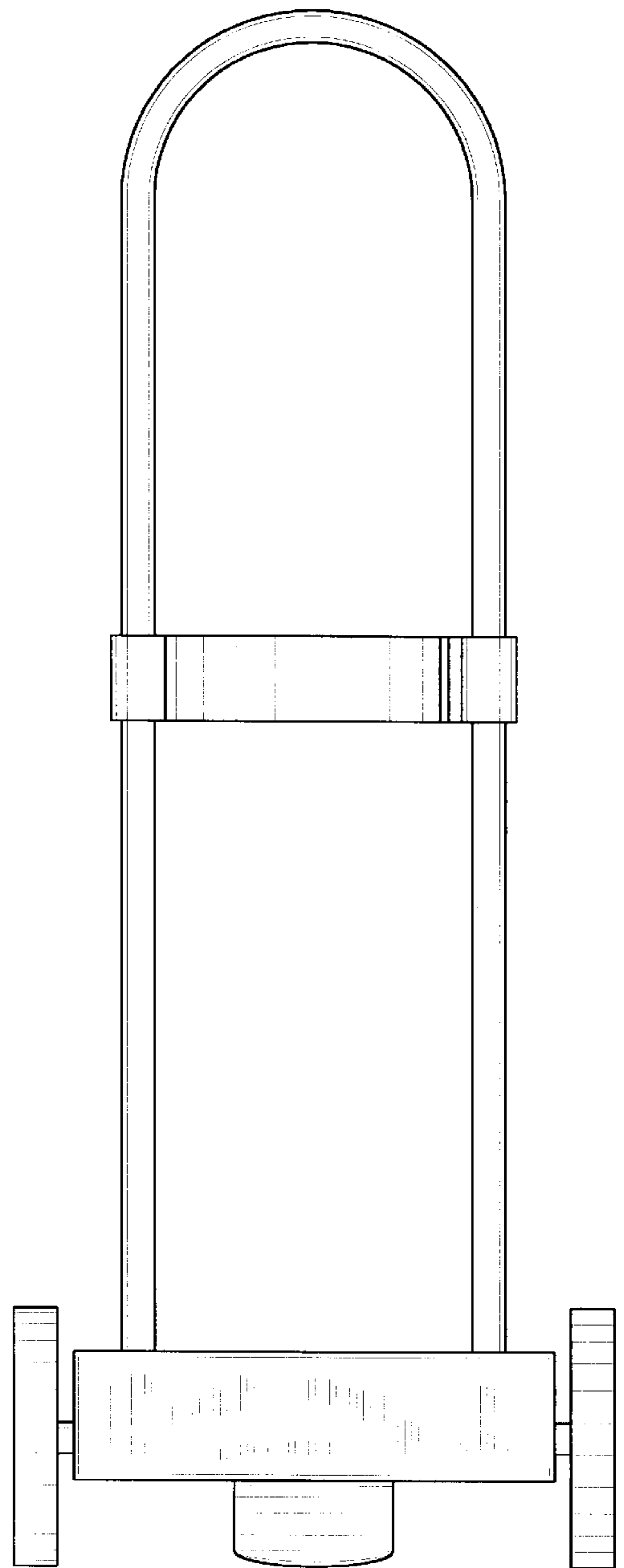


Fig. 2

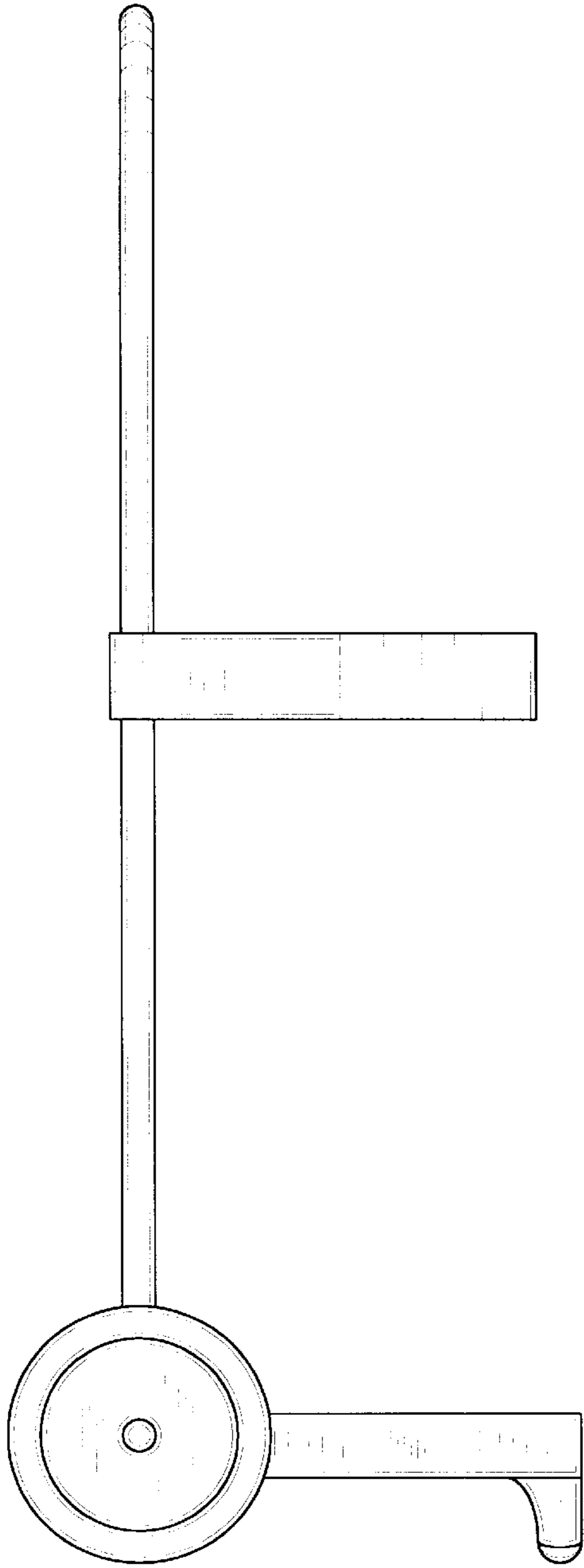


Fig. 3

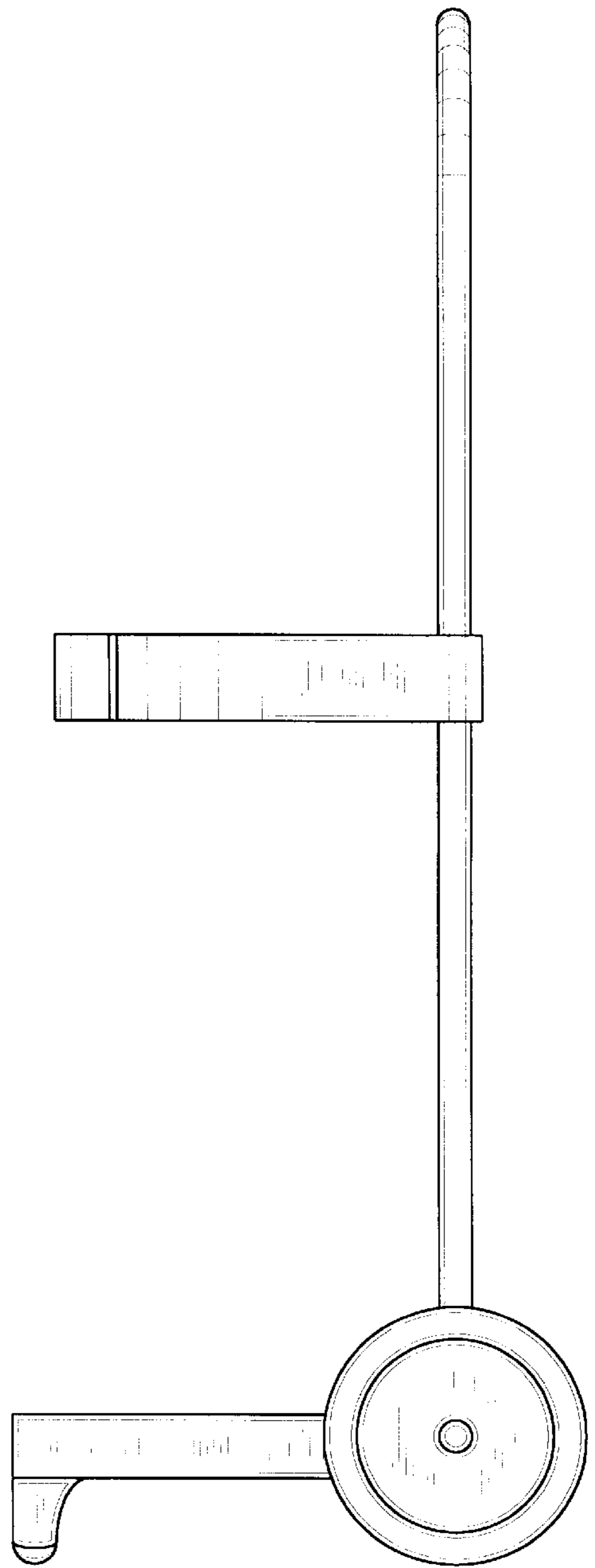


Fig. 4

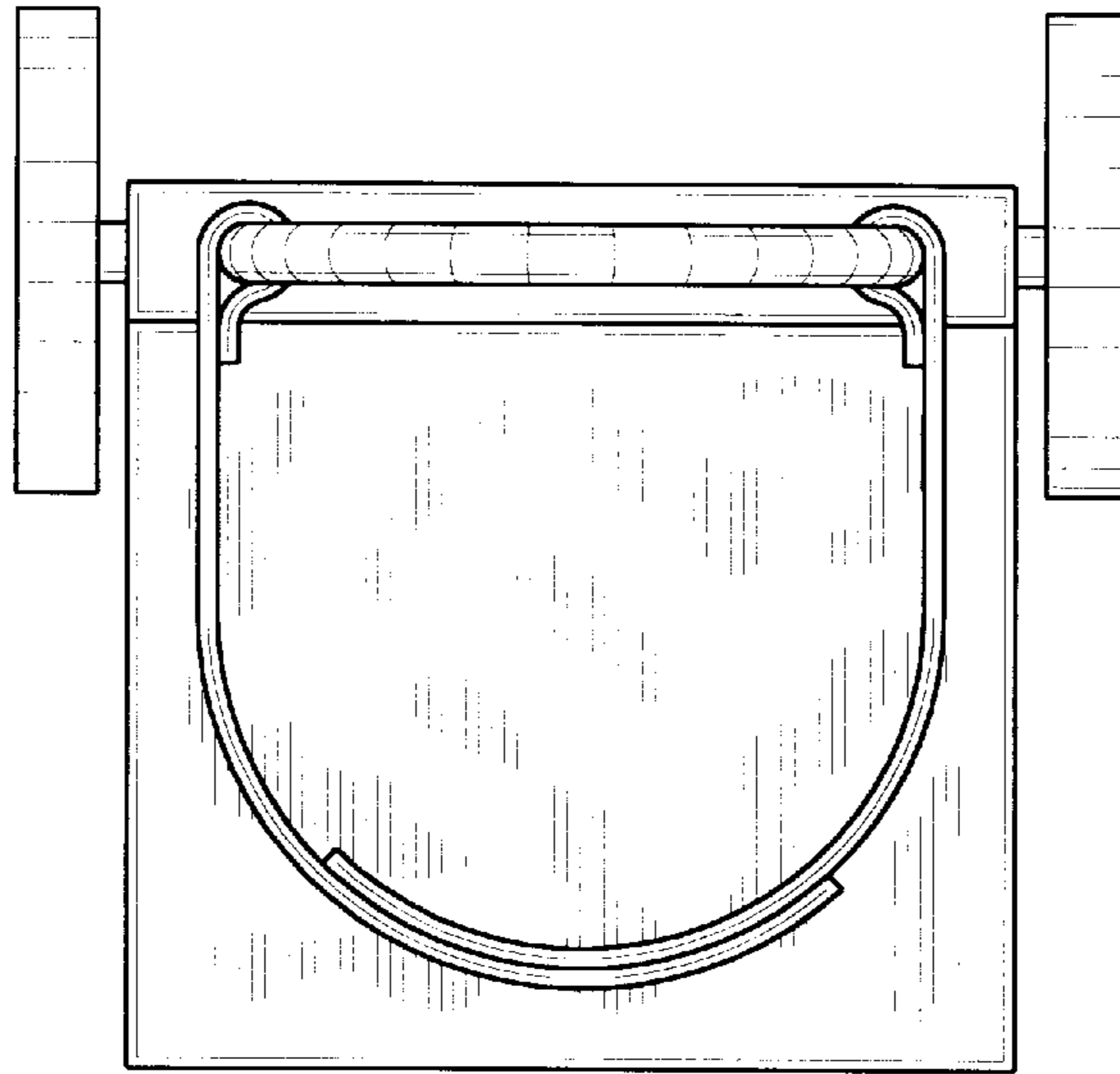


Fig. 5

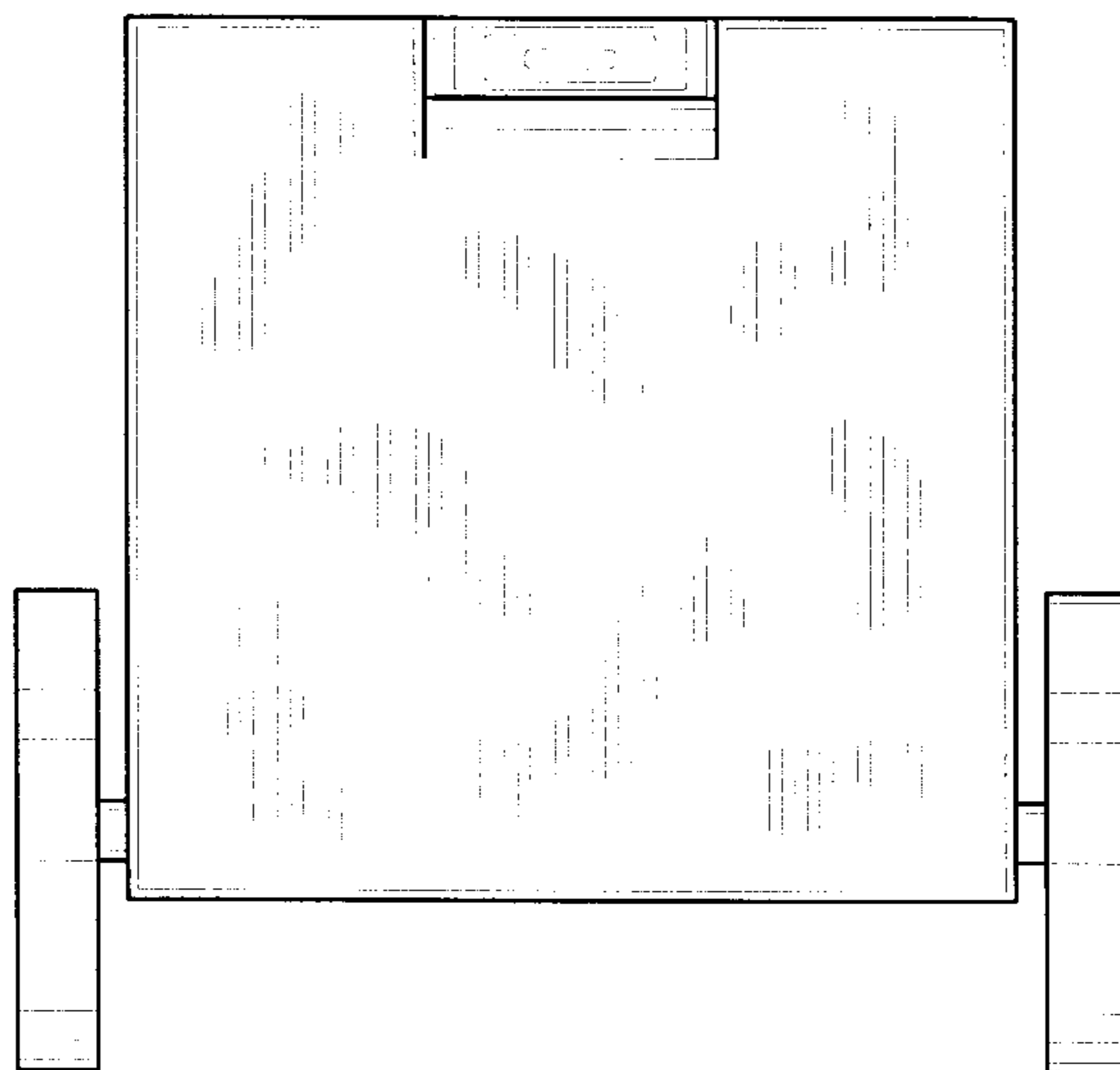


Fig. 6