



US00D404873S

# United States Patent [19]

Simons et al.

[11] Patent Number: Des. 404,873

[45] Date of Patent: \*\*Jan. 26, 1999

[54] MOBILE PEDESTAL

[75] Inventors: **George J. Simons**, Grand Rapids, Mich.; **Jochen P. Backs**, San Francisco, Calif.; **David M. Lewis**, San Francisco, Calif.; **Thomas Overthun**, San Francisco, Calif.

[73] Assignee: **Steelcase Inc.**, Grand Rapids, Mich.

[\*\*] Term: **14 Years**

[21] Appl. No.: **82,936**

[22] Filed: **Jan. 30, 1998**

[51] LOC (6) Cl. .... **12-02**

[52] U.S. Cl. .... **D34/19; D34/21**

[58] Field of Search ..... D34/12-27; 280/47.34, 280/79.11, 79.2, 79.3, 79.6, 47.35, 47.18; 211/194, 195, 46; 312/257.1

### [56] References Cited

#### U.S. PATENT DOCUMENTS

D. 88,880	1/1933	Levenson	.....	D34/21
D. 222,866	1/1972	Ball	.	
D. 225,840	1/1973	Ball	.	
D. 234,663	4/1975	Stiene	.	
D. 234,664	4/1975	Stiene	.	
D. 241,696	10/1976	Stiene	.	
D. 341,459	11/1993	Yang	.	
D. 366,744	1/1996	Bailey	.	
D. 377,428	1/1997	Rossdeutscher	.	
3,281,193	10/1966	Murray	.	
3,365,259	1/1968	Heisman et al.	.	
3,630,387	12/1971	Wehner	.	
3,693,994	9/1972	Wilson	.	

4,139,248	2/1979	Hornbacher	.
4,261,626	4/1981	Hornbacher	.
4,391,454	7/1983	Marsh et al.	.
4,901,867	2/1990	Petty, Jr.	.
5,002,191	3/1991	Herbst	.
5,280,933	1/1994	Finneyfrock	.
5,407,262	4/1995	Christian et al.	.

### OTHER PUBLICATIONS

Exhibit A discloses prior art mobile units sold by Egan Co., and designed by Kerr Keller Design of Canada.

*Primary Examiner*—Kay H. Chin  
*Attorney, Agent, or Firm*—Price, Heneveld, Cooper, DeWitt & Litton

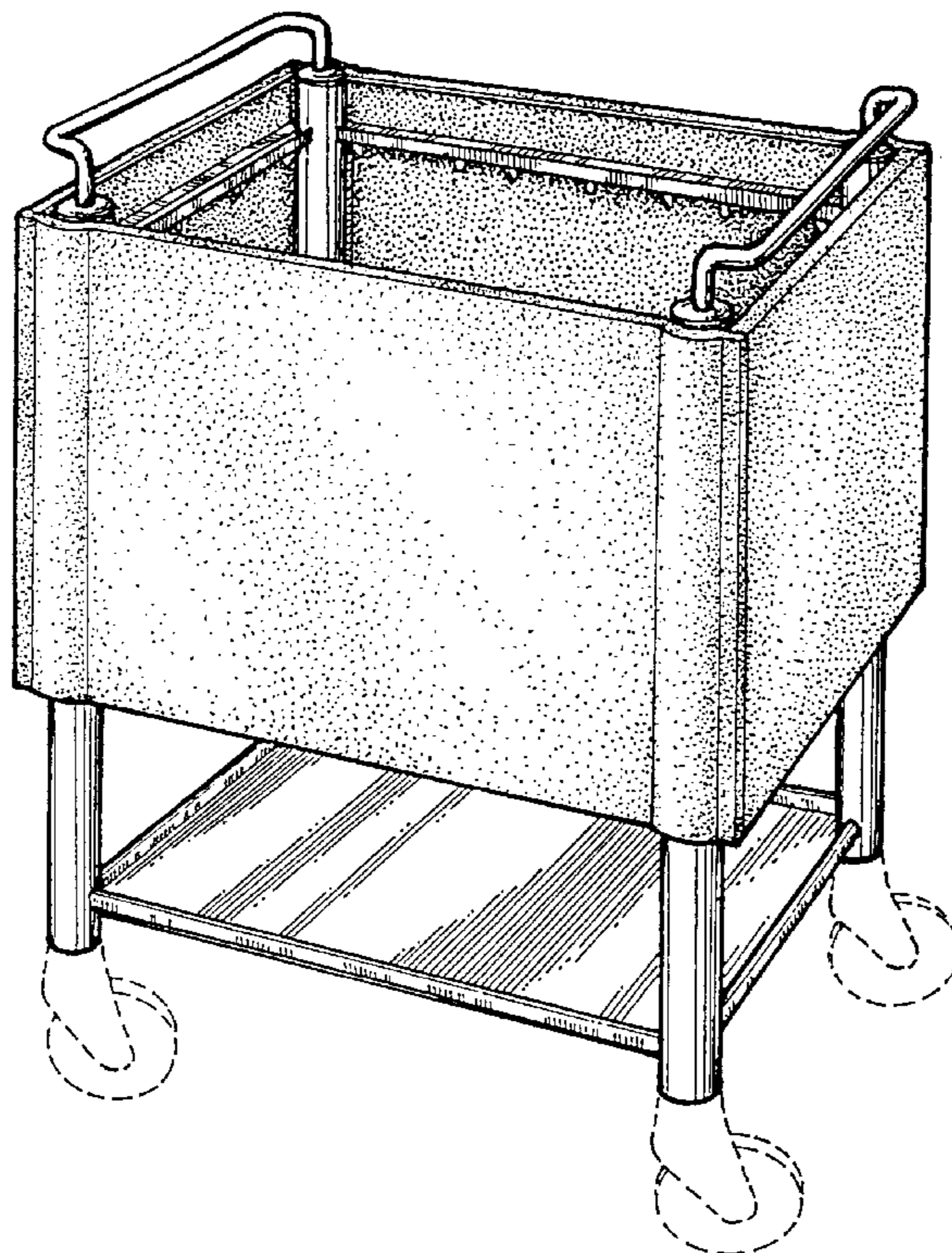
### [57] CLAIM

We claim the ornamental design for a mobile pedestal, as shown and described.

### DESCRIPTION

FIG. 1 is a perspective view of a first embodiment of our mobile pedestal design;  
FIG. 2 is a front view of FIG. 1;  
FIG. 3 is a side view of FIG. 1; and  
FIG. 4 is a top view of FIG. 1;  
FIG. 5 is a perspective view of a second embodiment of our mobile pedestal design, the sides and walls of which have a translucent appearance;  
FIG. 6 is a front view of FIG. 5;  
FIG. 7 is a side view of FIG. 5; and,  
FIG. 8 is a top view of FIG. 5.  
The dashed lines in FIGS. 1, 2, 5 and 6 are to show the environment and do not form a part of the present invention.

1 Claim, 4 Drawing Sheets



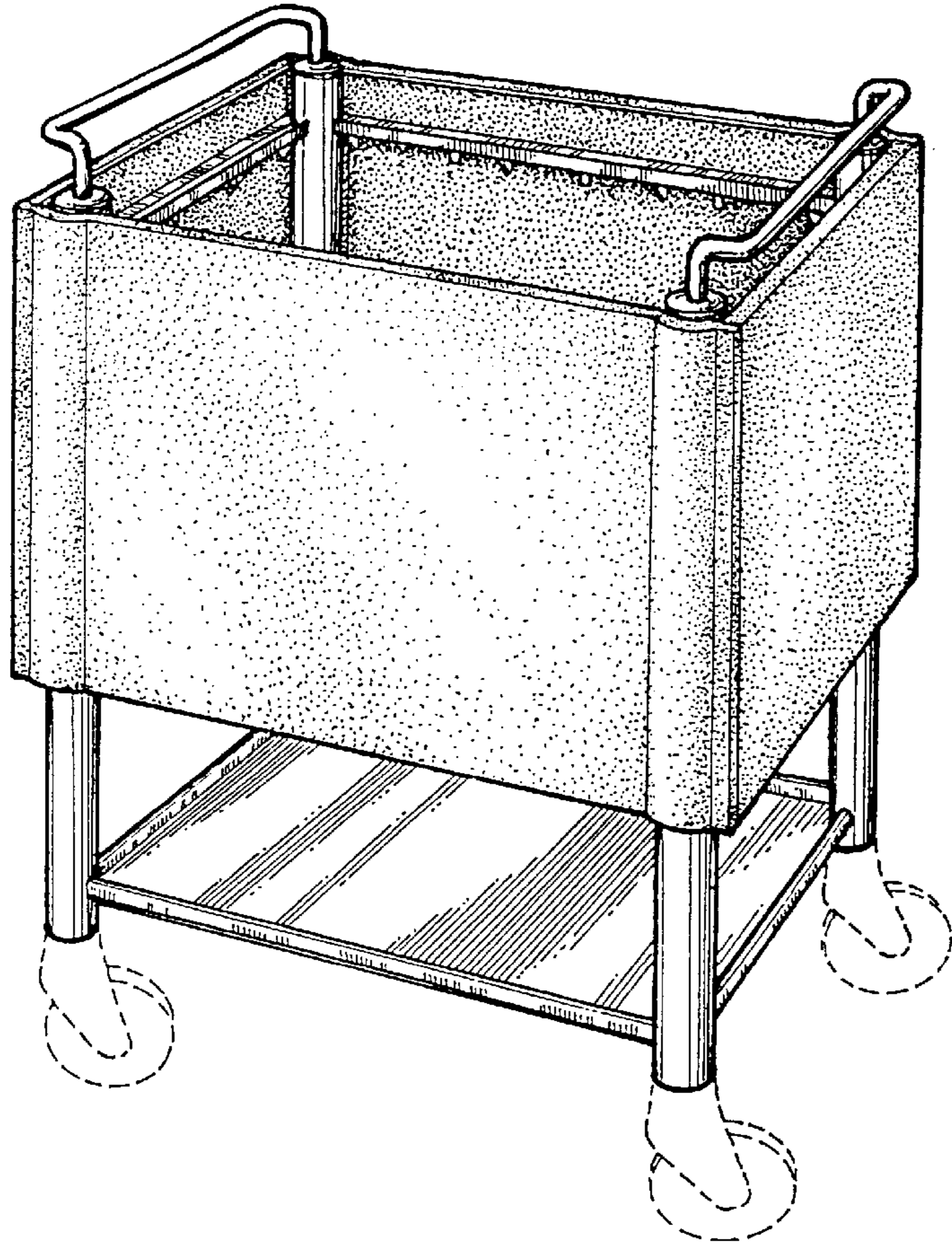


Fig. 1

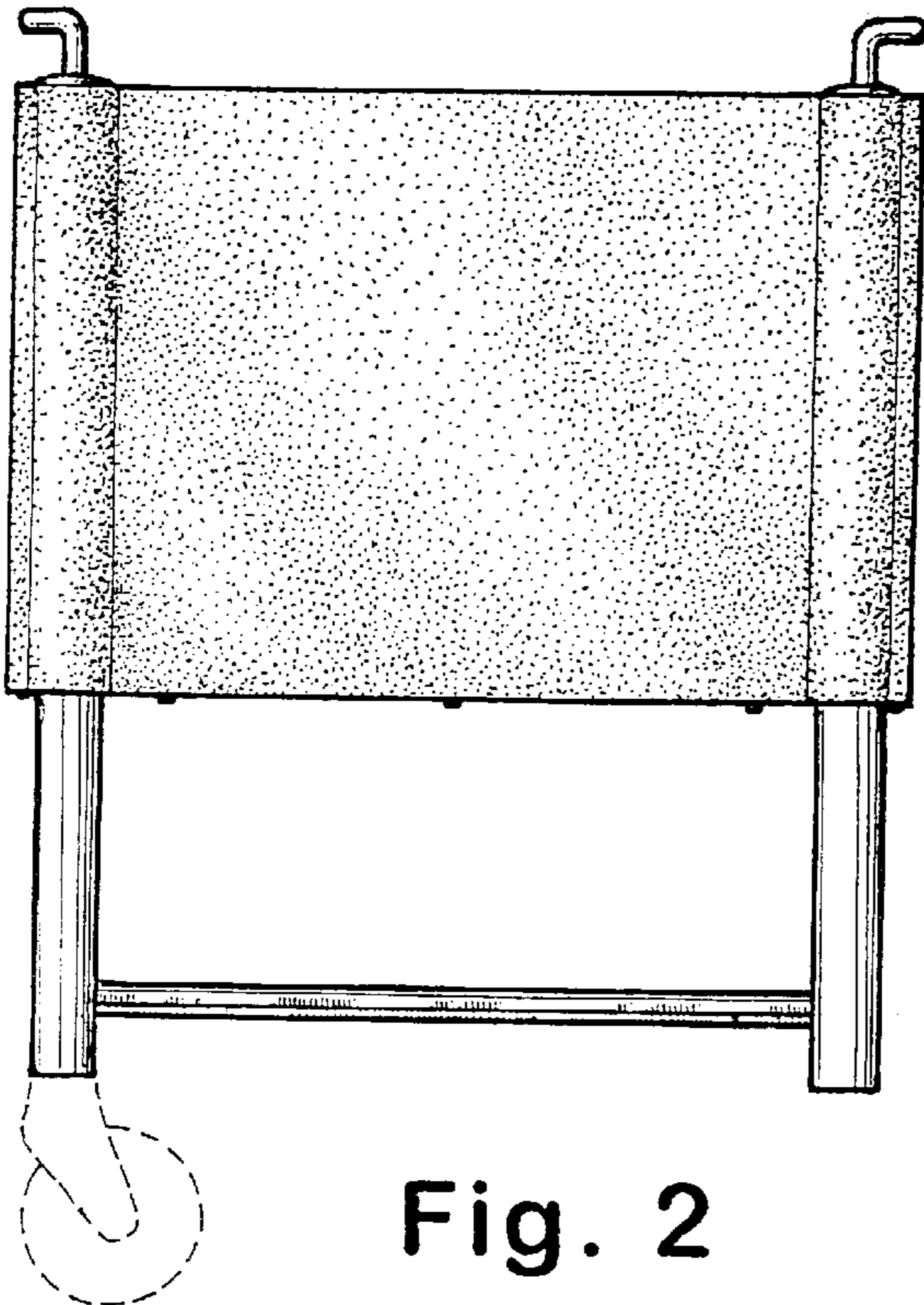


Fig. 2

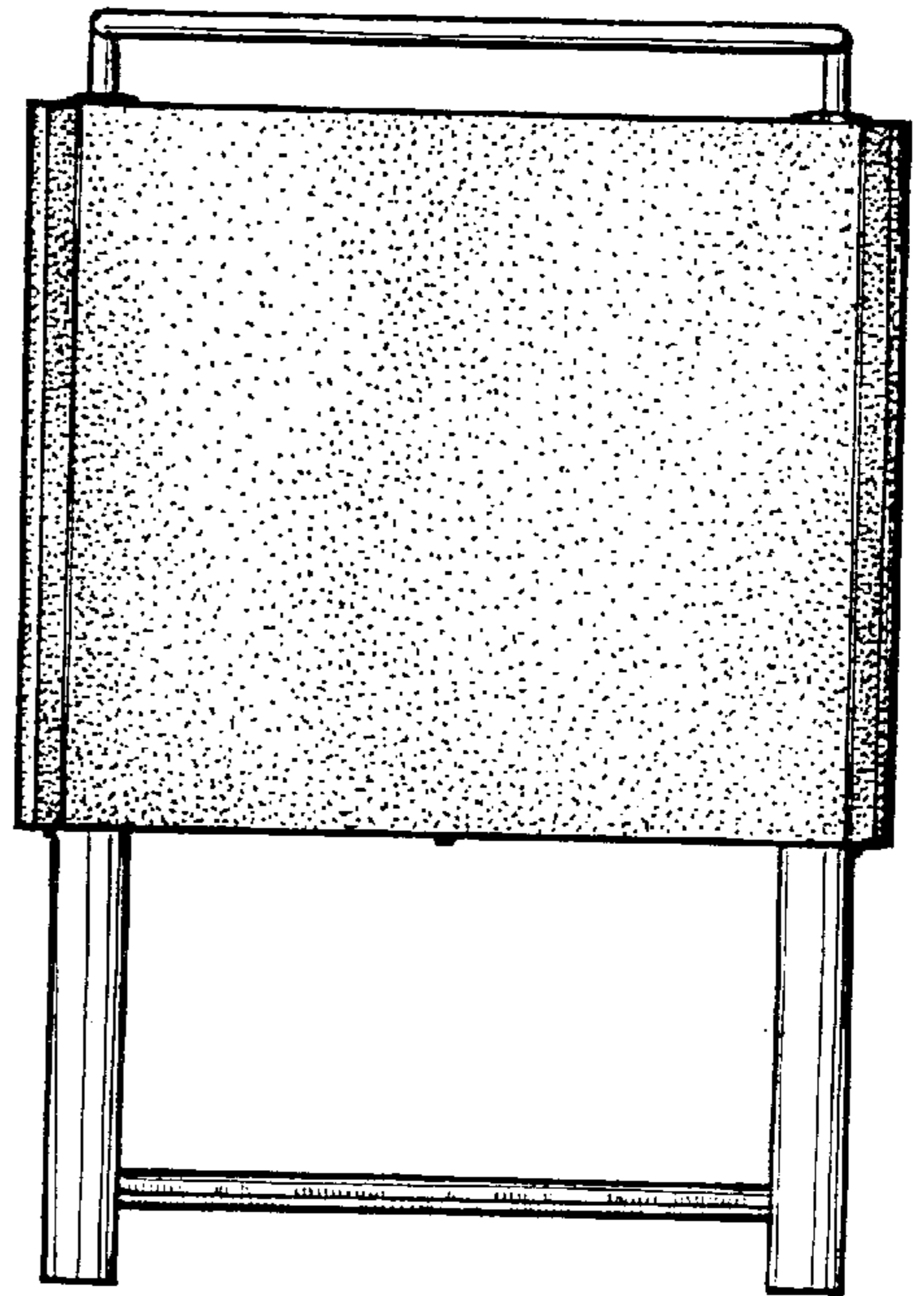


Fig. 3

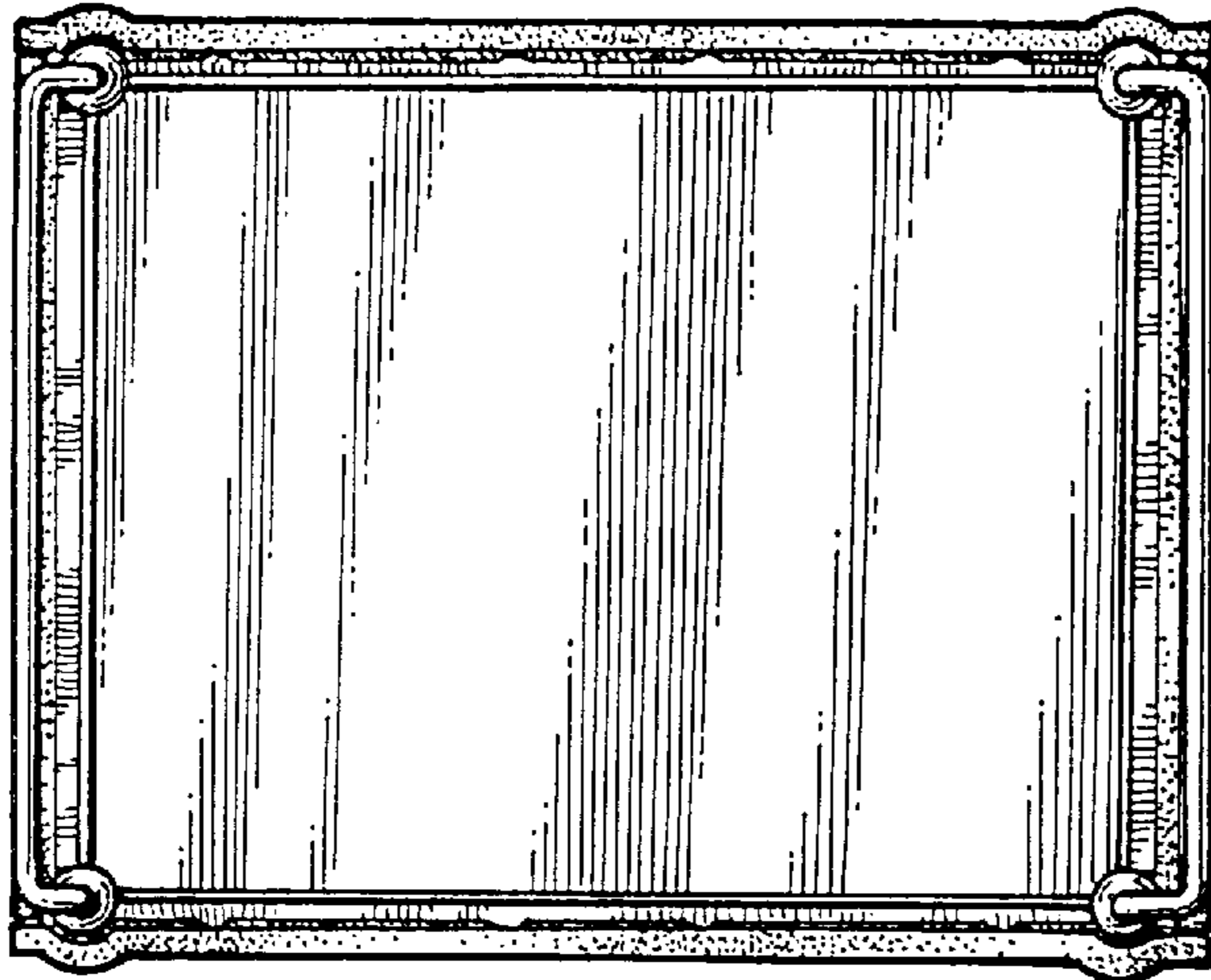


Fig. 4

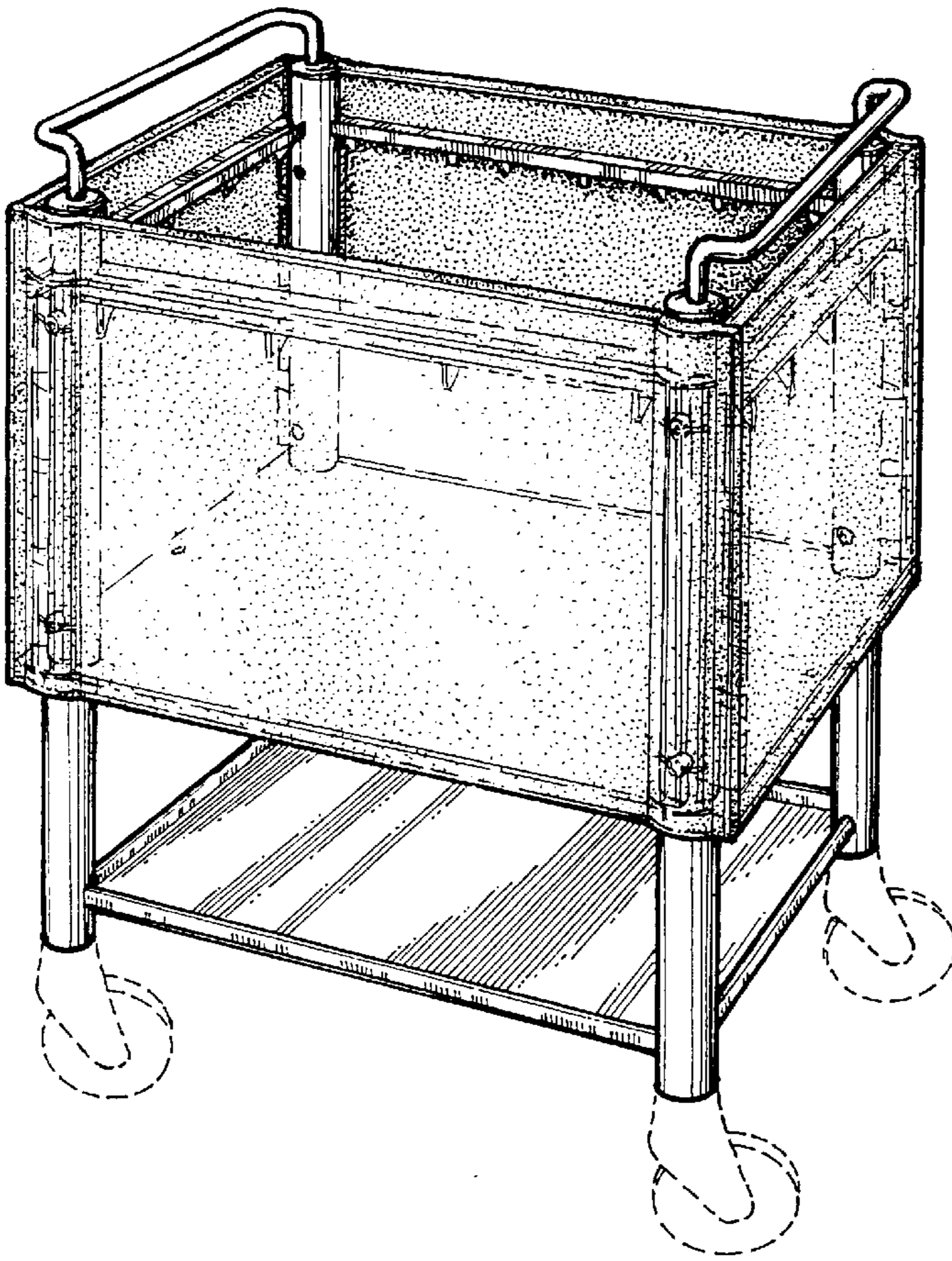


Fig. 5

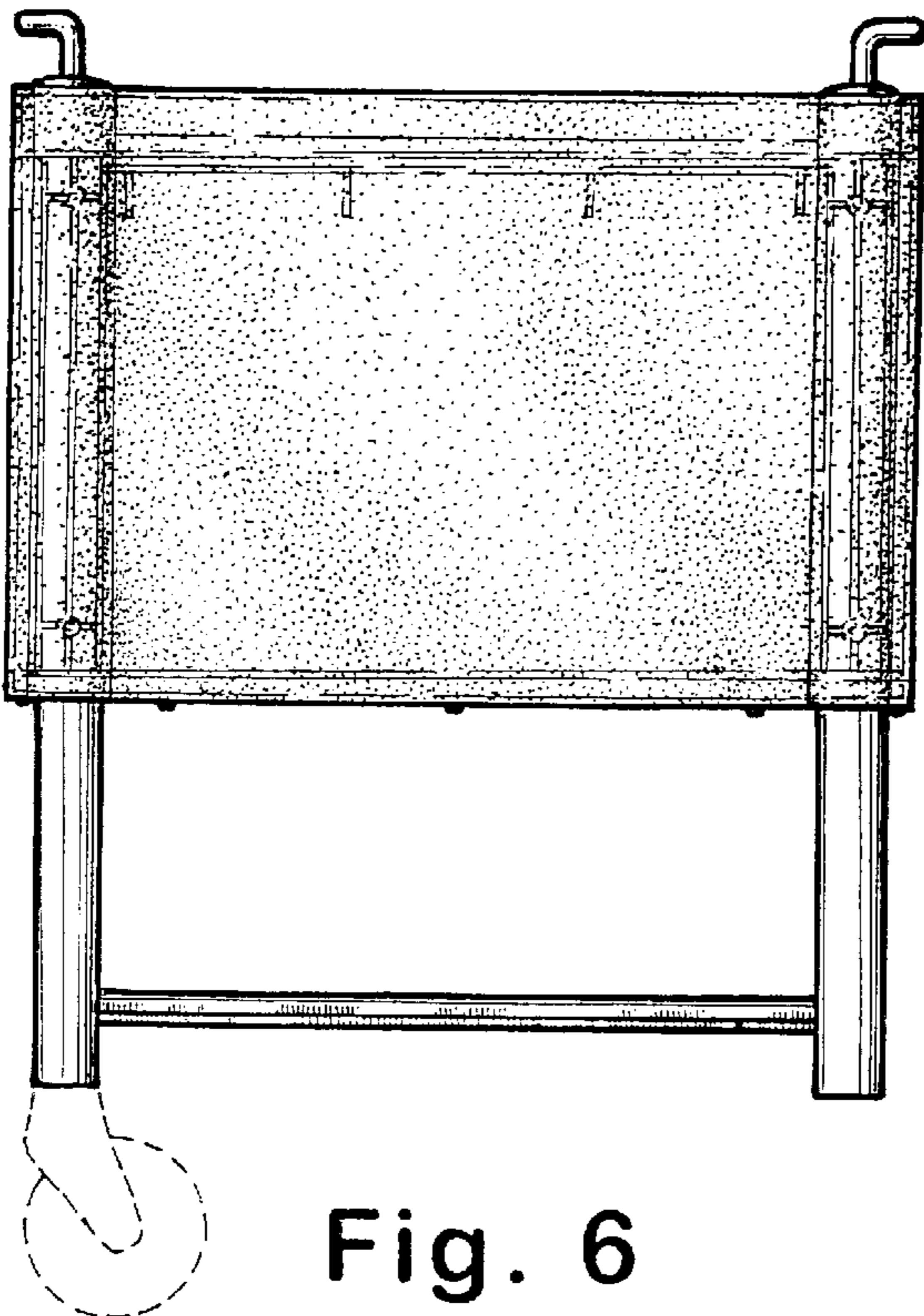


Fig. 6

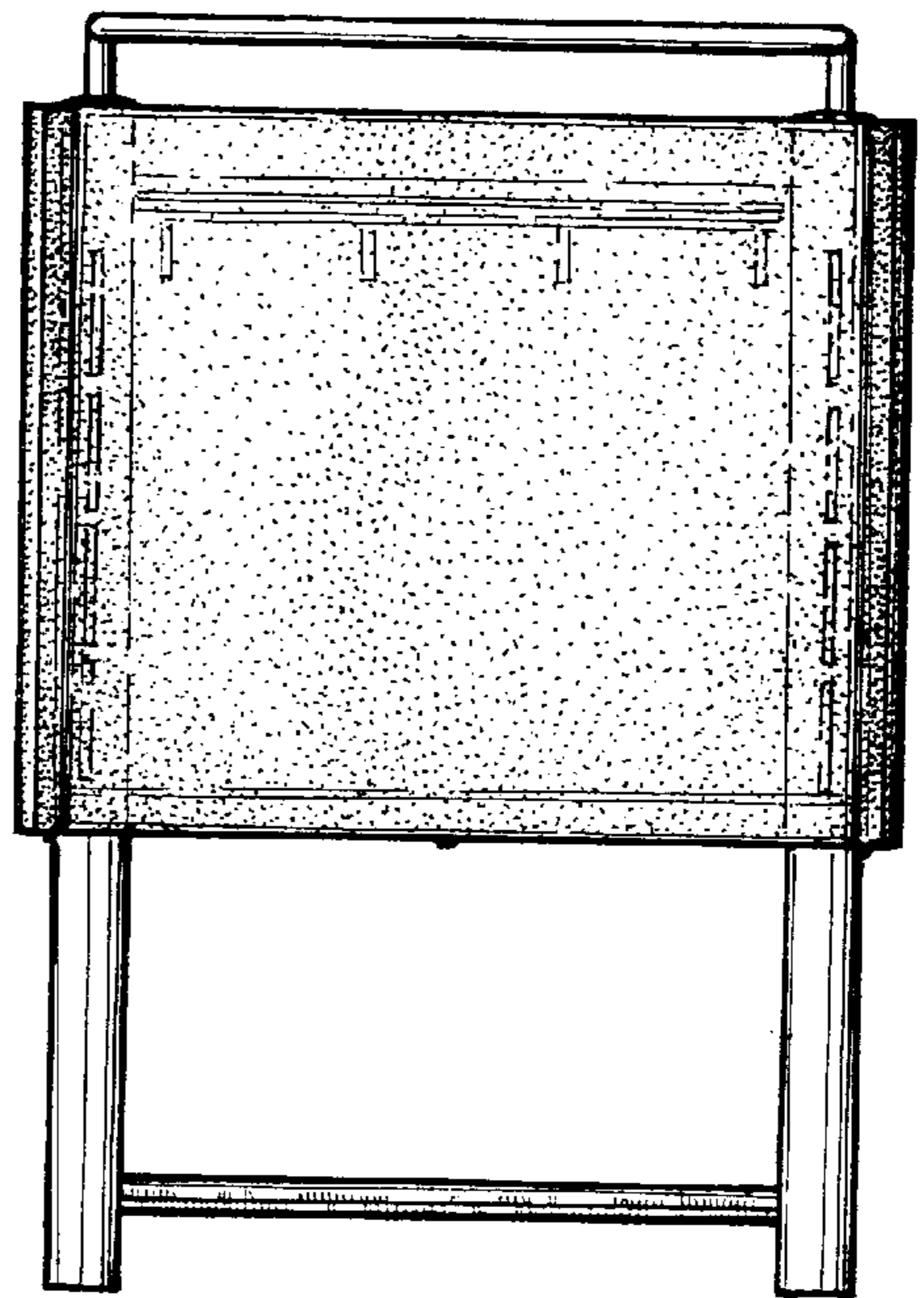


Fig. 7

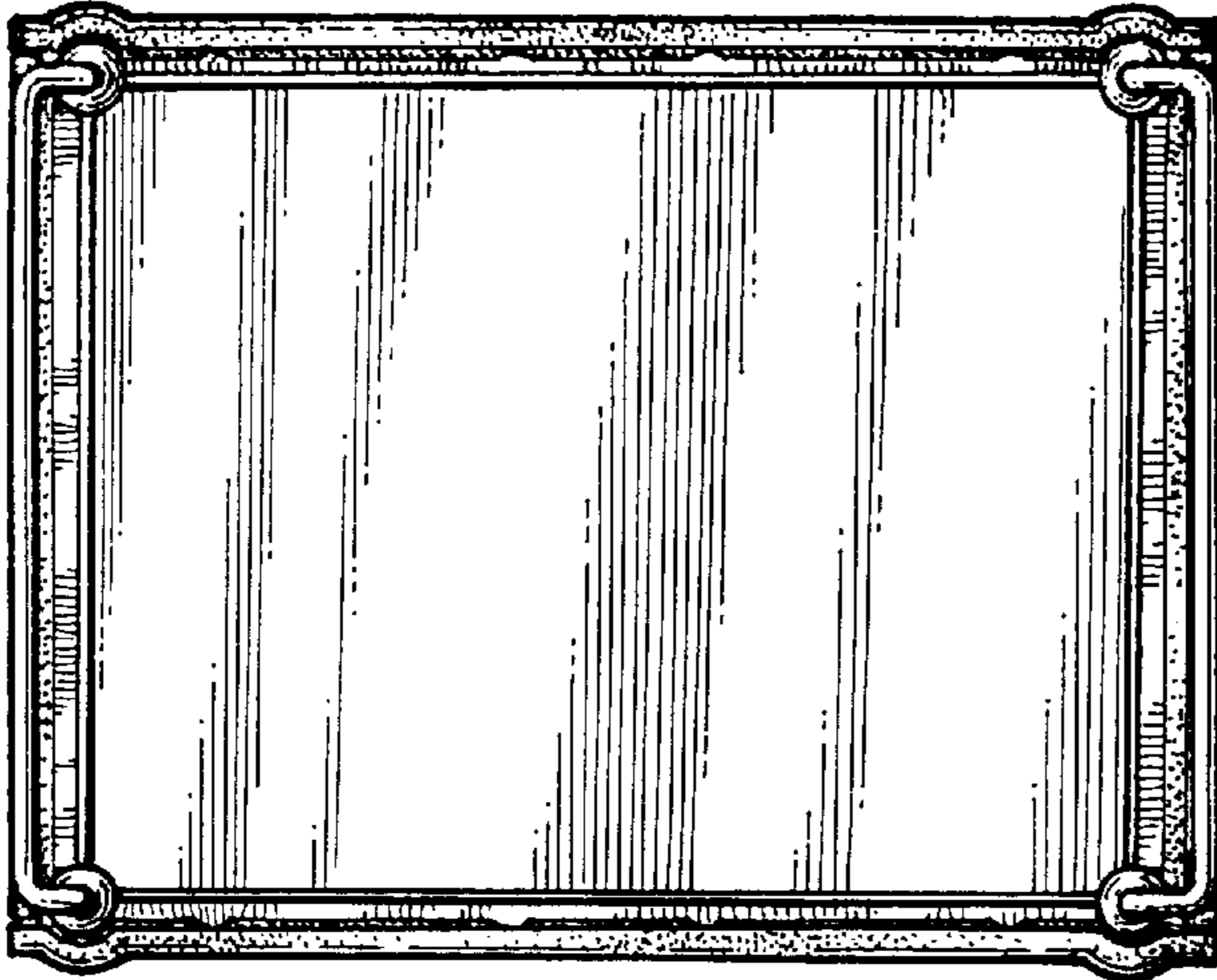


Fig. 8

UNITED STATES PATENT AND TRADEMARK OFFICE  
**CERTIFICATE OF CORRECTION**

PATENT NO. : Des. 404,873  
DATED : January 26, 1999  
INVENTORS : George J. Simons et al.

It is certified that error appears in the above-identified patent and that said Letters Patent is hereby corrected as shown below:

**On the title page, insert the following:**

**In the Description of Fig. 5, line 2, insert --end-- before "walls".**

Signed and Sealed this  
Twenty-fifth Day of May, 1999

*Attest:*



Q. TODD DICKINSON

*Attesting Officer*

*Acting Commissioner of Patents and Trademarks*