



US00D404870S

# United States Patent [19]

Van Rhienen

[11] Patent Number: **Des. 404,870**

[45] Date of Patent: **\*\*Jan. 26, 1999**

[54] **YARD CART**

[75] Inventor: **Alphons Van Rhienen**, Schoten, Belgium

[73] Assignee: **Euro United Corporation**, Oakville, Canada

[\*\*] Term: **14 Years**

[21] Appl. No.: **83,559**

[22] Filed: **Feb. 13, 1998**

[30] **Foreign Application Priority Data**

Oct. 22, 1997 [CA] Canada ..... 1997-2759

[51] **LOC (6) Cl.** ..... **12-02**

[52] **U.S. Cl.** ..... **D34/16**

[58] **Field of Search** ..... D34/12-27; 280/47.26, 280/47.31, 653, 652, 47.18, 47.23

[56] **References Cited**

**U.S. PATENT DOCUMENTS**

D. 327,350 6/1992 Brown et al. .... D34/16

D. 356,411 3/1995 Gingras et al. .... D34/16  
D. 370,326 5/1996 Chapman et al. .... D34/16  
D. 389,972 1/1998 Grosfillex ..... D34/16

*Primary Examiner*—Kay H. Chin  
*Attorney, Agent, or Firm*—Barrigar & Moss

[57] **CLAIM**

The ornamental design for a yard cart, as shown and described.

**DESCRIPTION**

FIG. 1 is a perspective view showing the top and side of the yard cart;

FIG. 2 is a right side view;

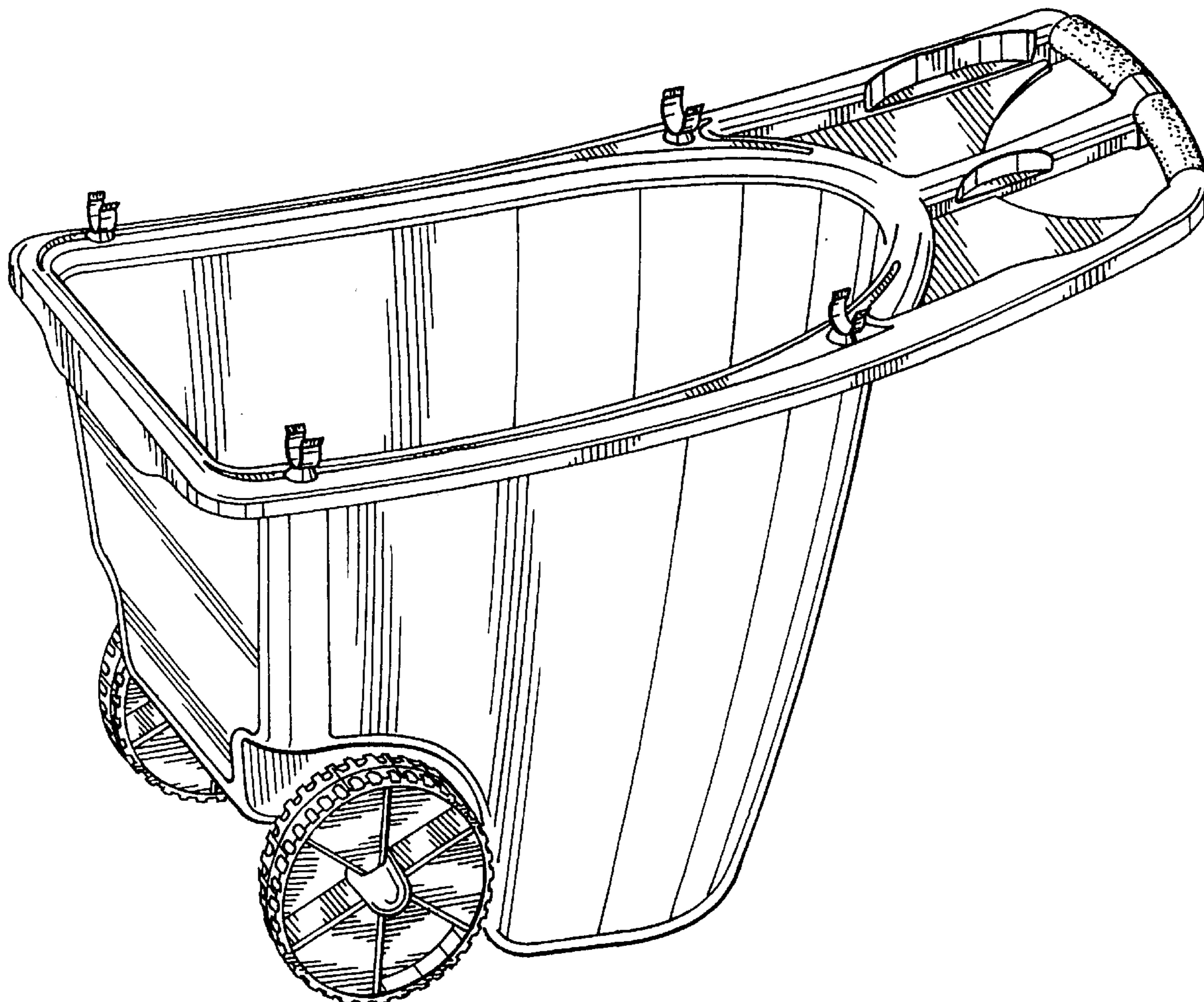
FIG. 3 is a rear view;

FIG. 4 is a front view;

FIG. 5 is a top view; and,

FIG. 6 is a bottom view.

**1 Claim, 6 Drawing Sheets**



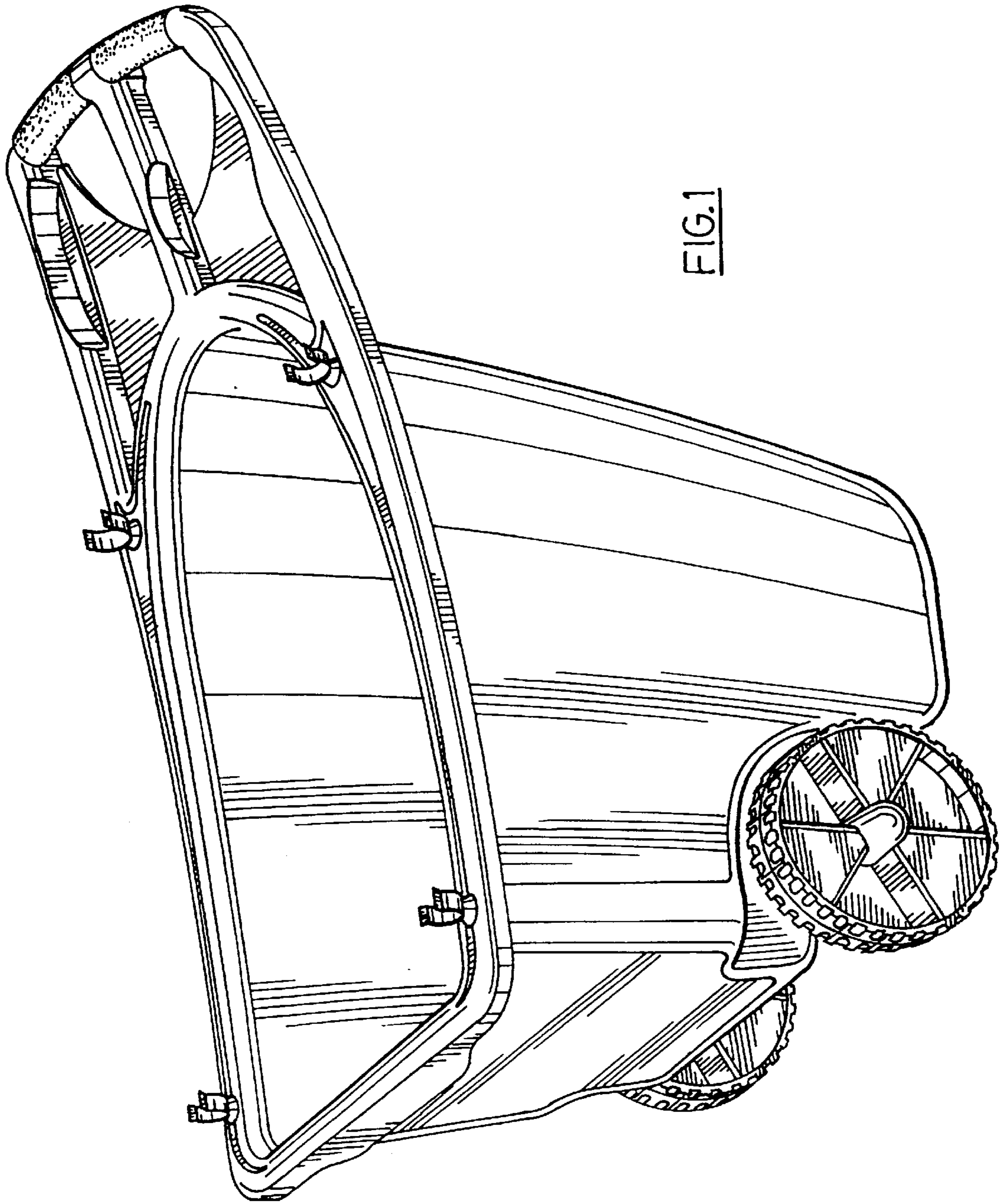


FIG. 1

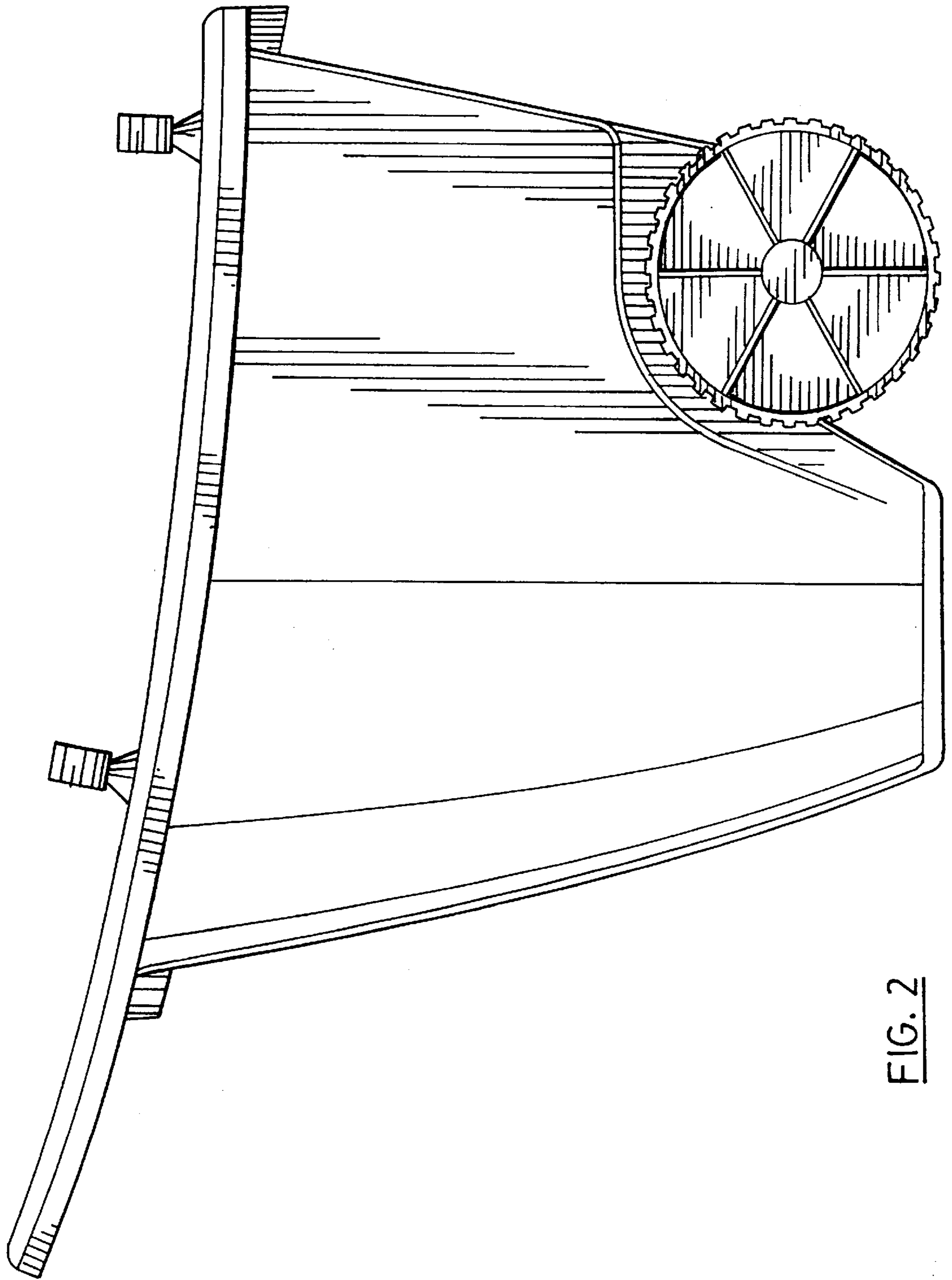


FIG. 2

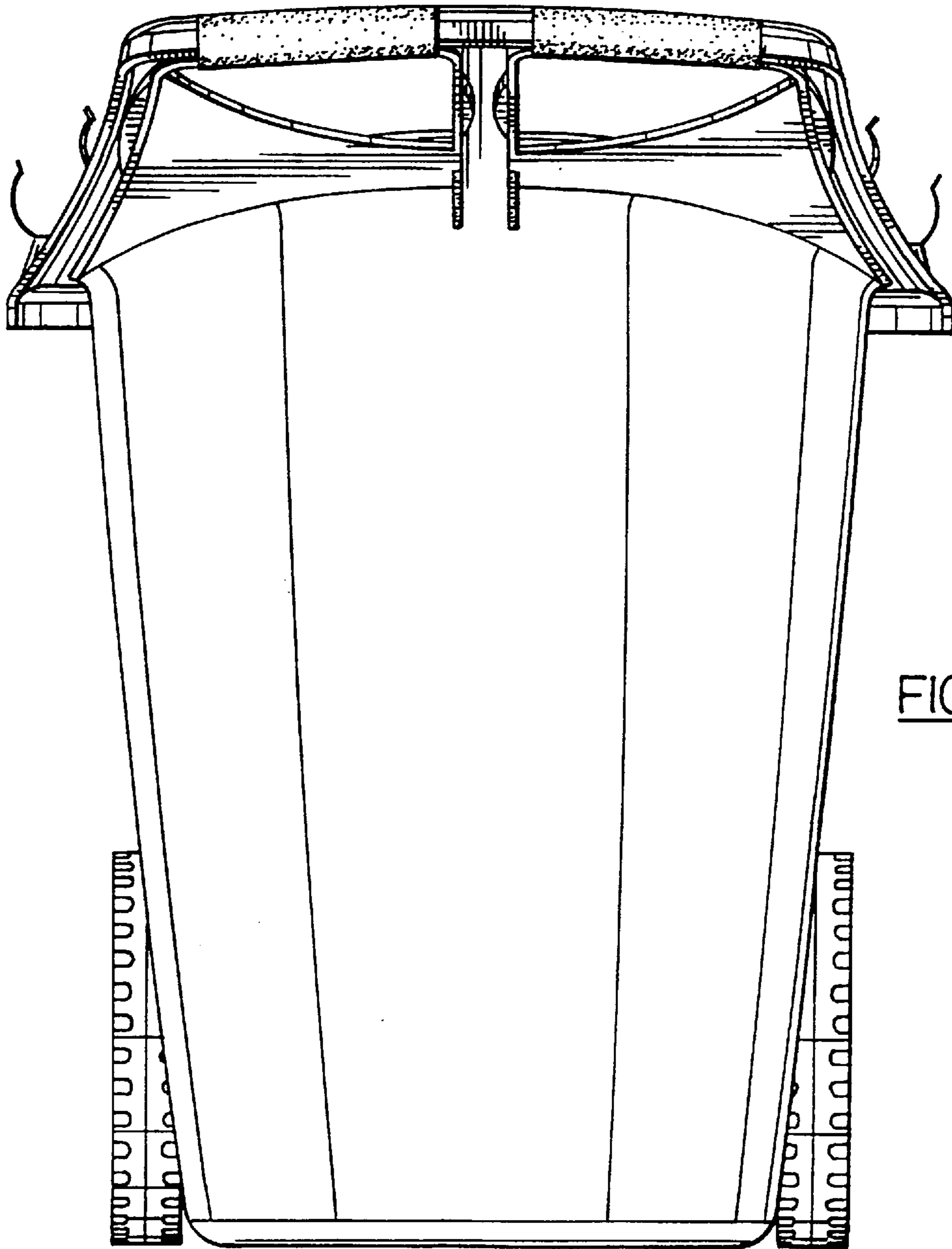


FIG. 3



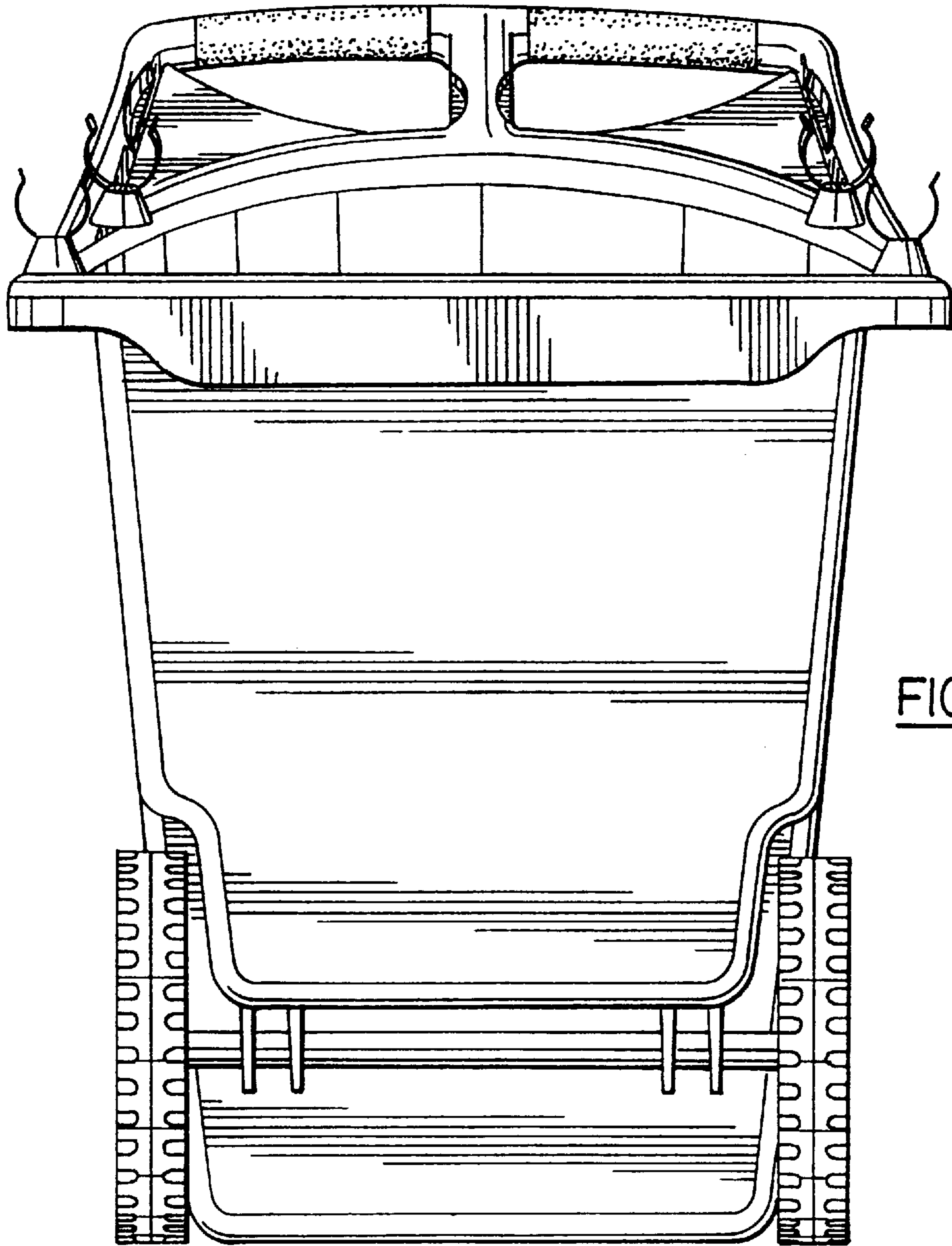


FIG. 4

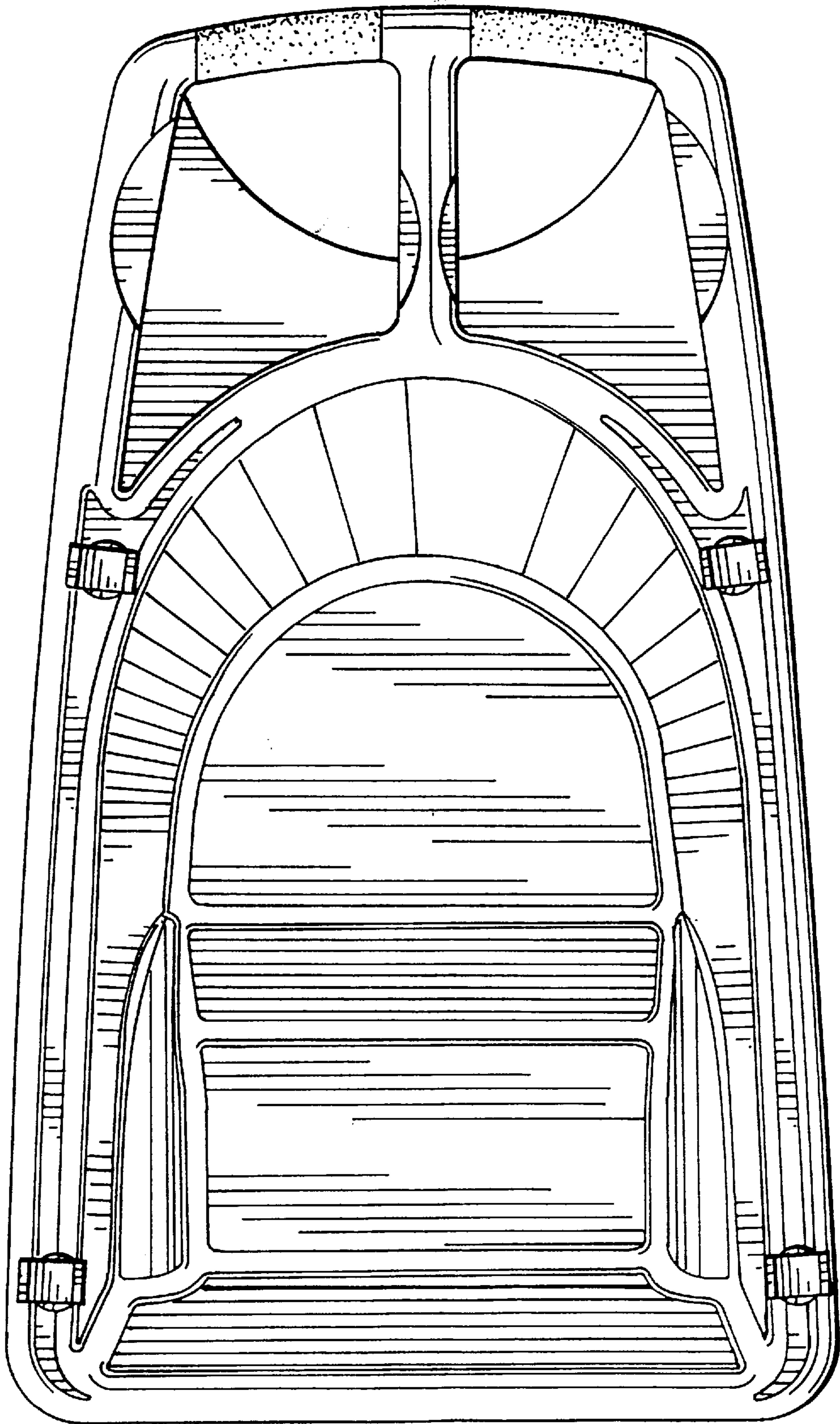


FIG. 5

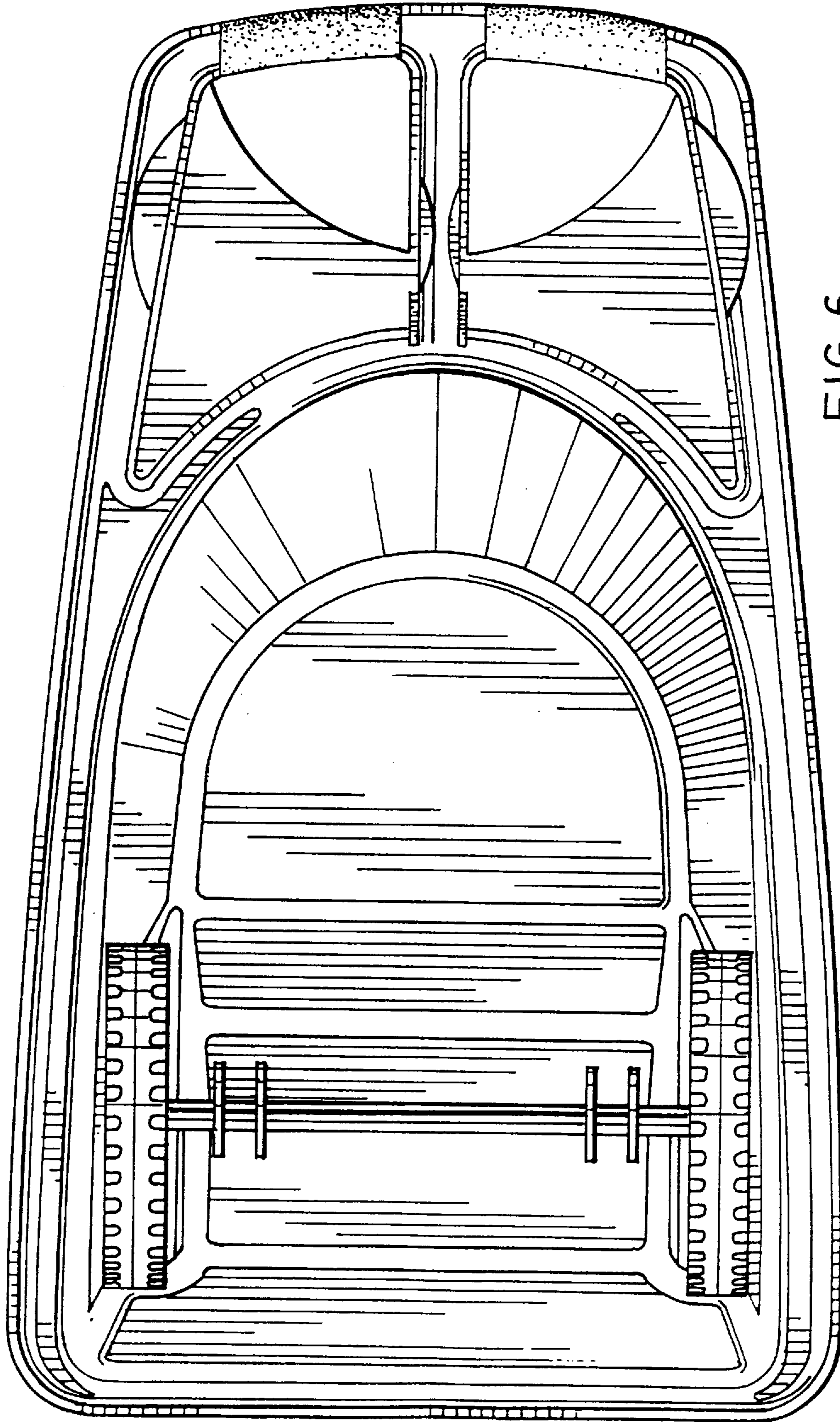


FIG. 6