



US00D404864S

United States Patent [19] Gudefin

[11] **Patent Number: Des. 404,864**

[45] **Date of Patent: **Jan. 26, 1999**

[54] **BASE OF STEAM GENERATOR FOR IRON**

[75] Inventor: **Jacques Gudefin**, St Priest, France

[73] Assignee: **Calor S.A.**, Lyons, France

[**] Term: **14 Years**

[21] Appl. No.: **78,738**

[22] Filed: **Nov. 4, 1997**

[30] **Foreign Application Priority Data**

May 5, 1997 [FR] France 972.648

[51] **LOC (6) Cl. 07-05**

[52] **U.S. Cl. D32/73**

[58] **Field of Search** D32/71, 73, 68;
38/15, 77.1, 77.2-77.9, 79, 96, 141, 142;
248/117.1-117.7; 219/245, 246, 247

[56] **References Cited**

U.S. PATENT DOCUMENTS

D. 364,019 11/1995 Reibl D32/73

D. 370,324 5/1996 Villa D32/73

D. 374,527 10/1996 Gudefin D32/68

D. 379,702 6/1997 Gudefin et al. D32/73

D. 380,068 6/1997 Gudefin D32/9

D. 388,576 12/1997 Gudefin et al. D32/73

5,117,092 5/1992 Shimizu et al. 219/247

5,120,934 6/1992 Nakada et al. 219/247

Primary Examiner—Susan J. Lucas

Assistant Examiner—Cynthia E. Ramirez

Attorney, Agent, or Firm—Greenblum & Bernstein, P.L.C.

[57] **CLAIM**

I claim the ornamental design for a base of steam generator for iron, as shown and described.

DESCRIPTION

FIG. 1 is a perspective view from the front and from the right of my new design;

FIG. 2 is front elevation view thereof;

FIG. 3 is a rear elevation view thereof;

FIG. 4 is a right side elevation view thereof;

FIG. 5 is a left side elevation view thereof;

FIG. 6 is a top view thereof; and,

FIG. 7 is a bottom view thereof.

1 Claim, 7 Drawing Sheets

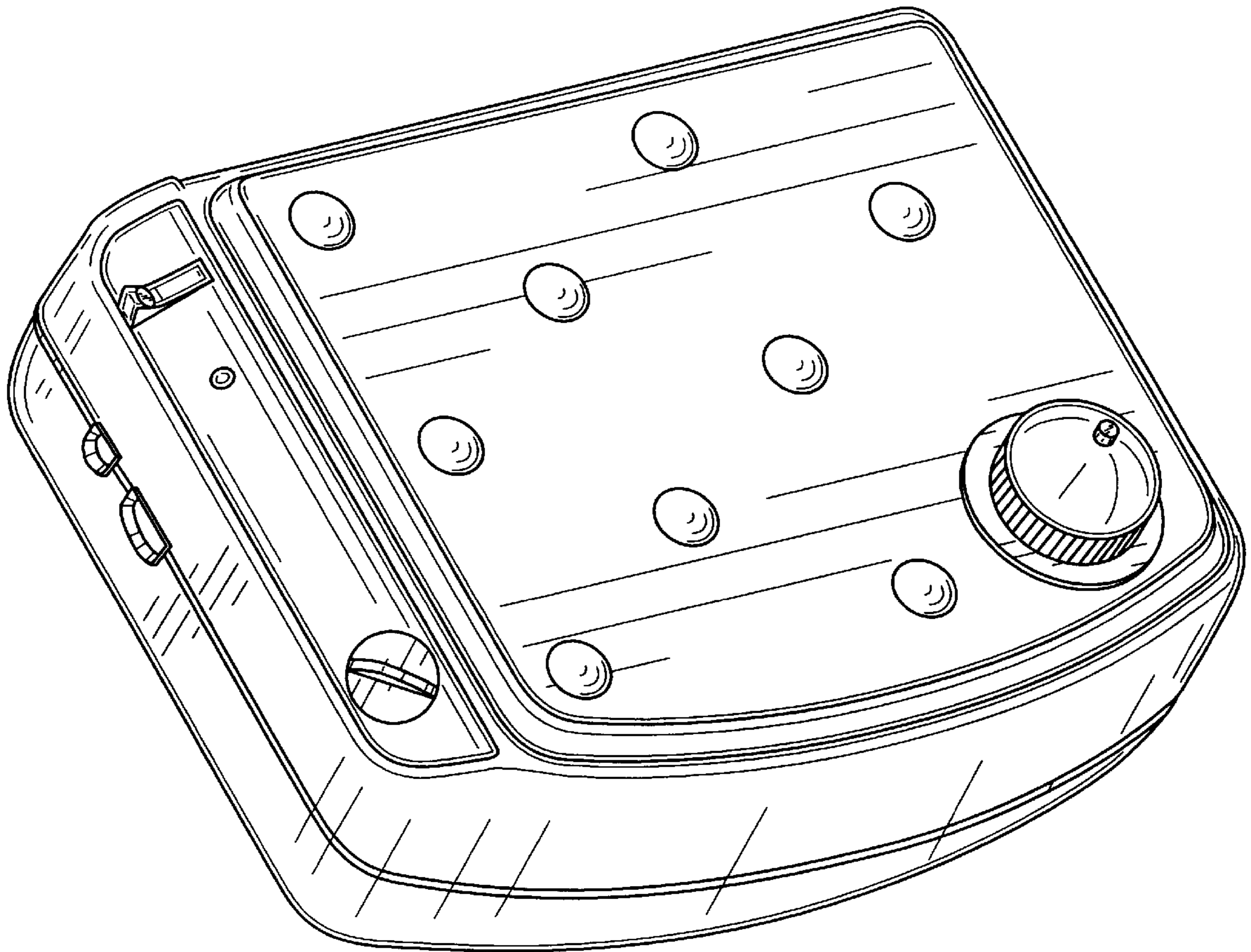


FIG. 1

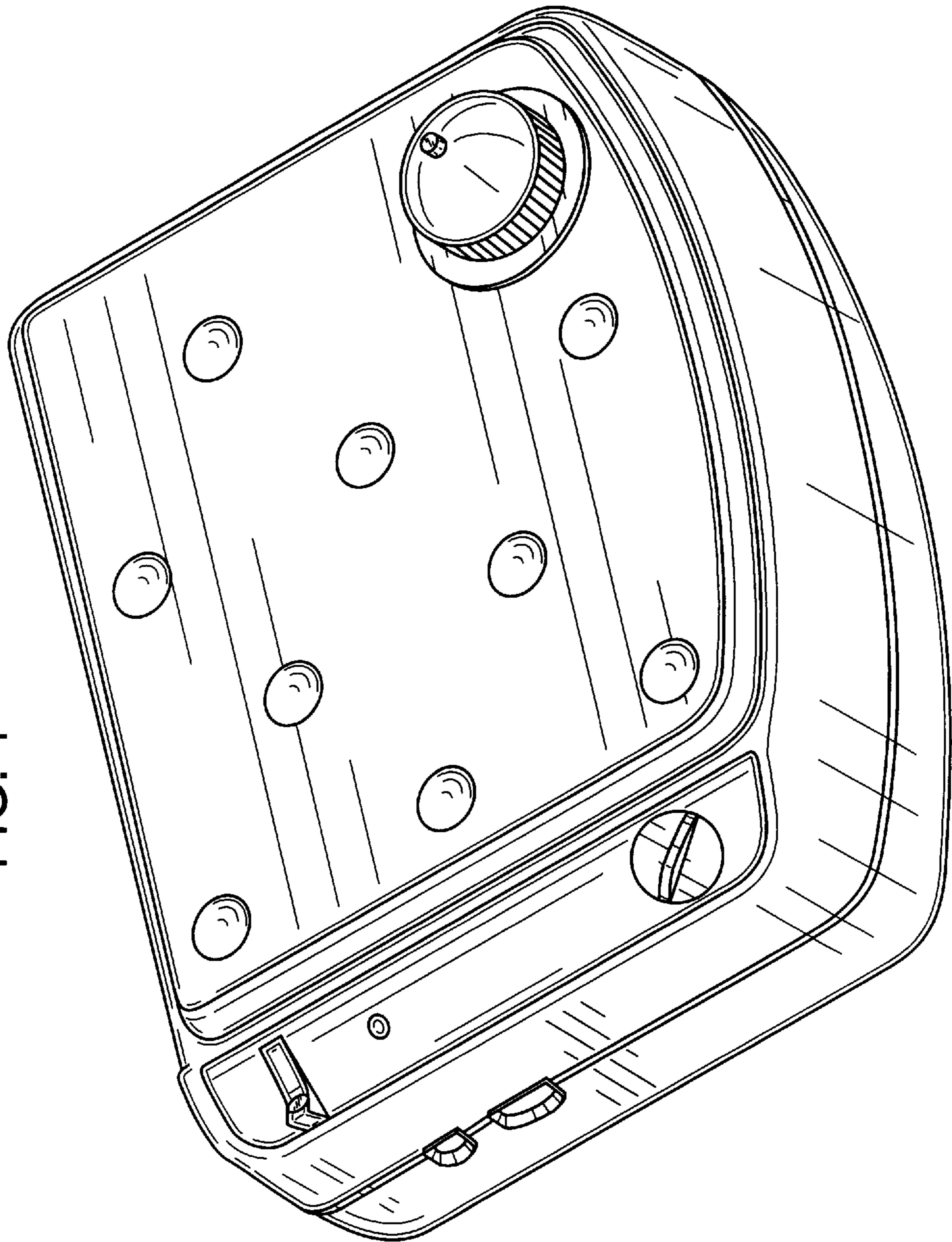


FIG. 2

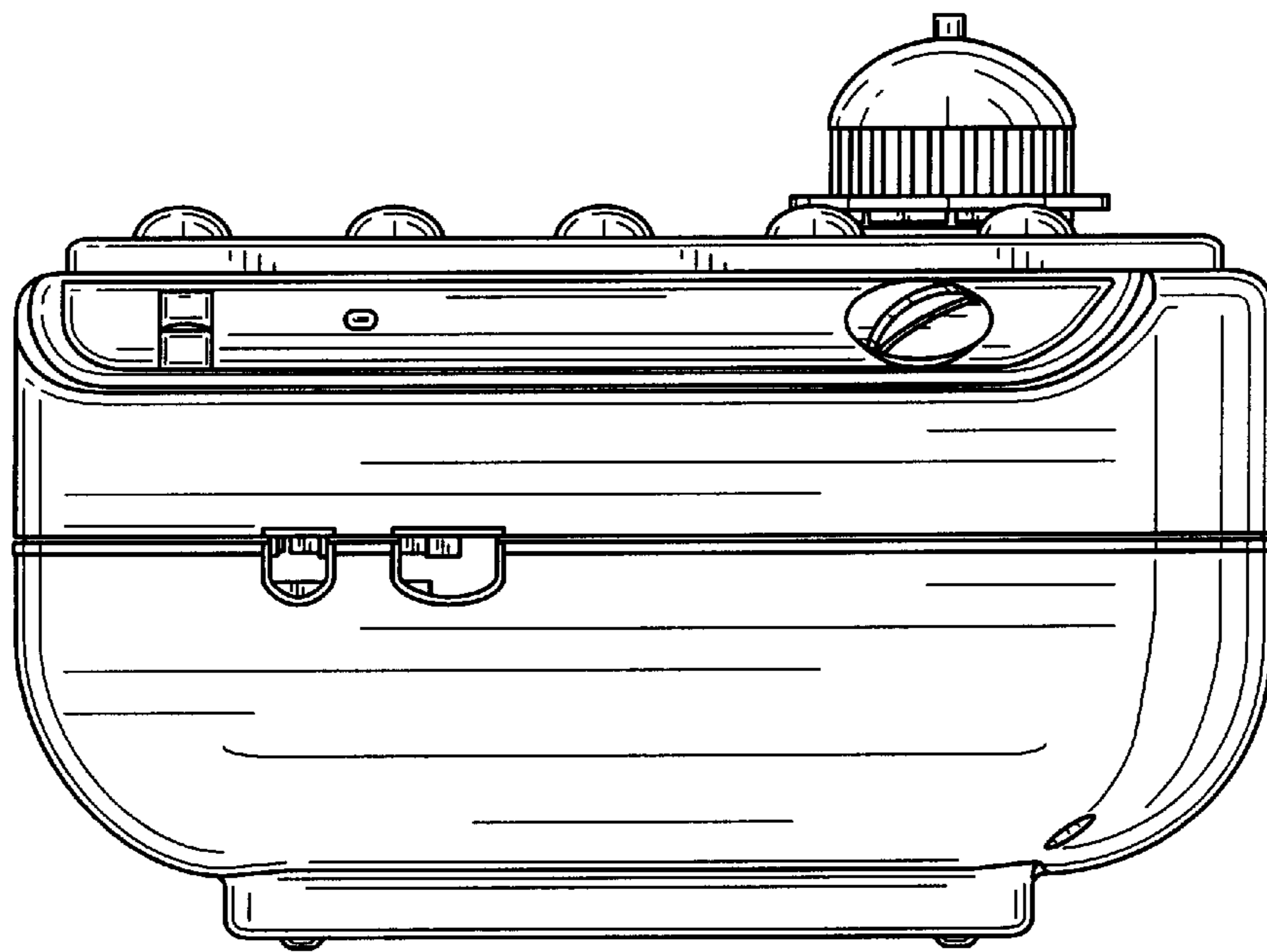


FIG. 3

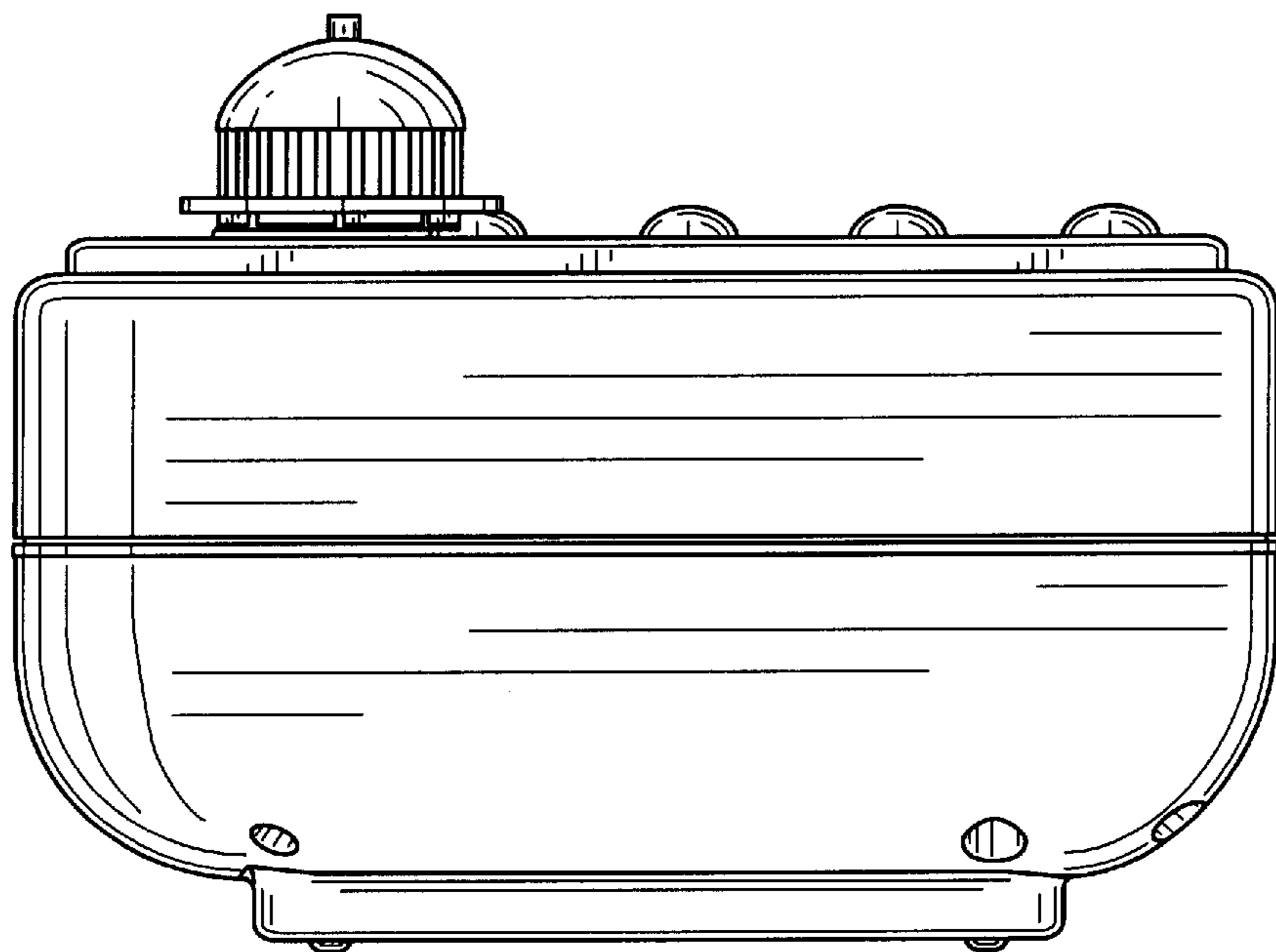


FIG. 4

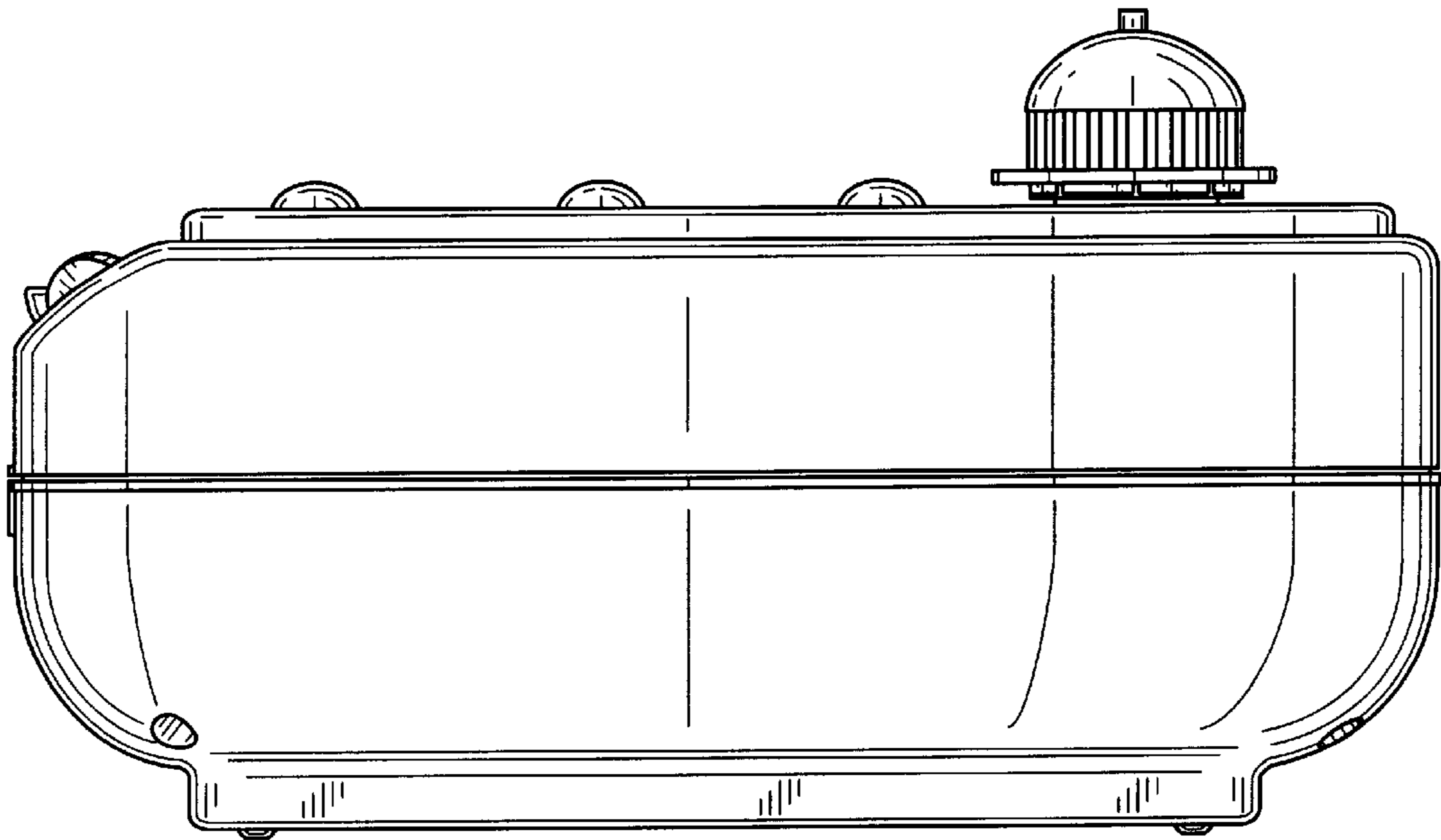


FIG. 5

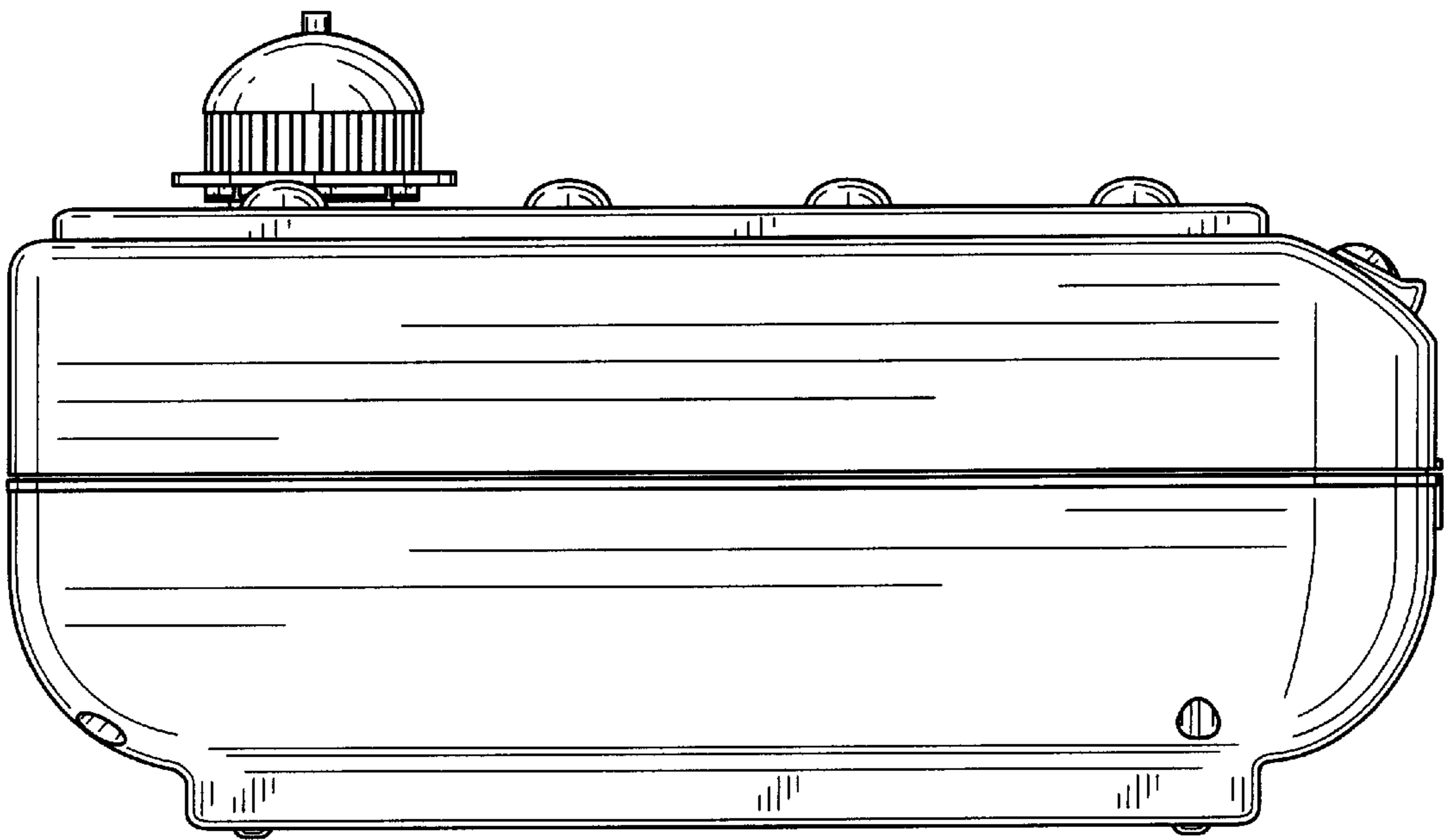


FIG. 6

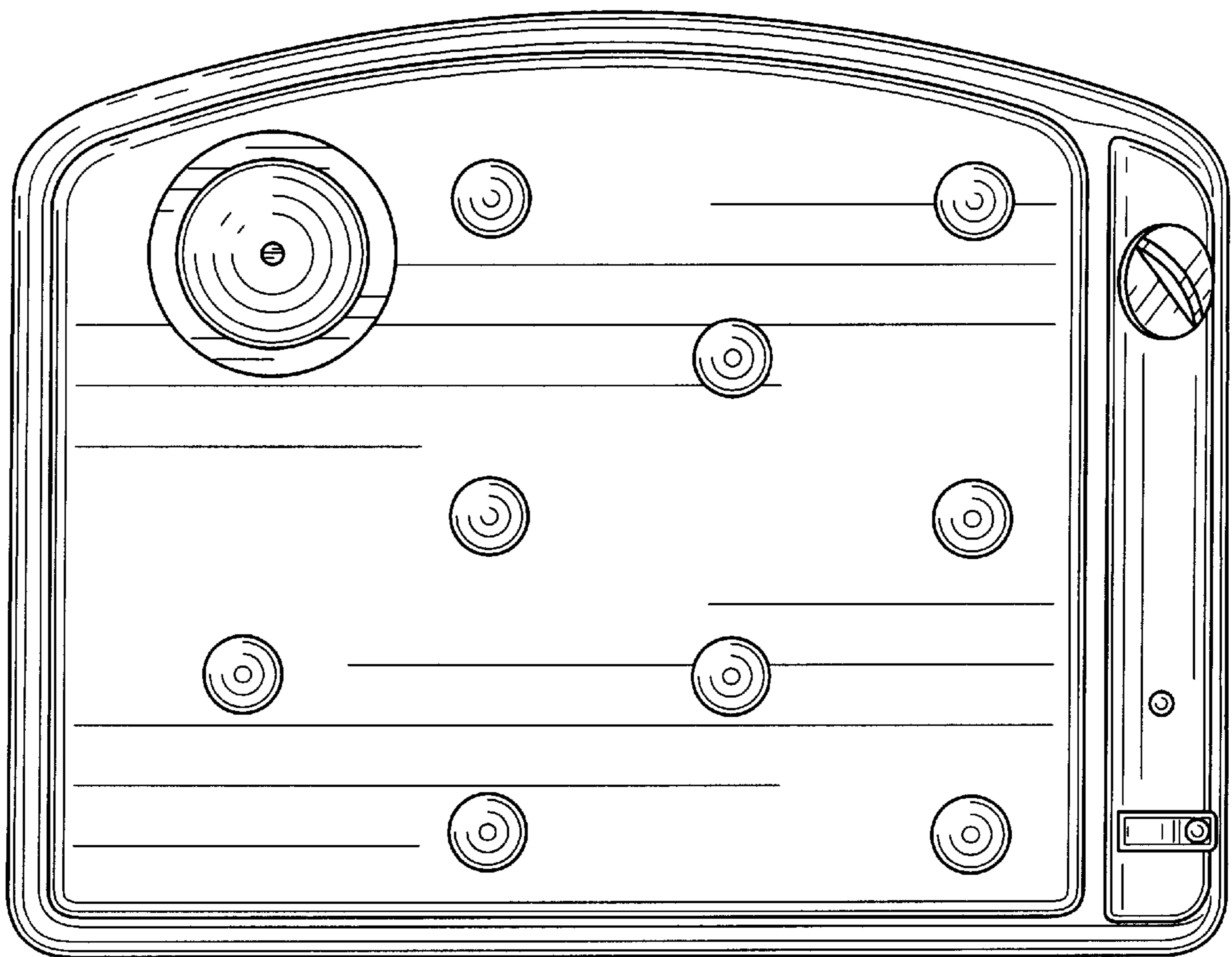


FIG. 7

