



US00D404862S

# United States Patent [19] Johnson

[11] **Patent Number: Des. 404,862**

[45] **Date of Patent: \*\*Jan. 26, 1999**

[54] **BUTTERFLY MOP**

2,892,201 6/1959 Peterson et al. .

[75] Inventor: **Charles Sven Johnson**, Copley, Ohio

*Primary Examiner*—Susan J. Lucas  
*Assistant Examiner*—Cynthia Ramirez  
*Attorney, Agent, or Firm*—Richard B. O’Planick

[73] Assignee: **Rubbermaid Incorporated**, Wooster, Ohio

[\*\*] Term: **14 Years**

[57] **CLAIM**

The ornamental design for a butterfly mop, as shown and described.

[21] Appl. No.: **88,323**

**DESCRIPTION**

[22] Filed: **May 20, 1998**

[51] **LOC (6) Cl.** ..... **04-01**

[52] **U.S. Cl.** ..... **D32/50**

[58] **Field of Search** ..... D32/40, 44, 50,  
D32/51; 15/119.2, 119.1, 116.2, 118, 244.1

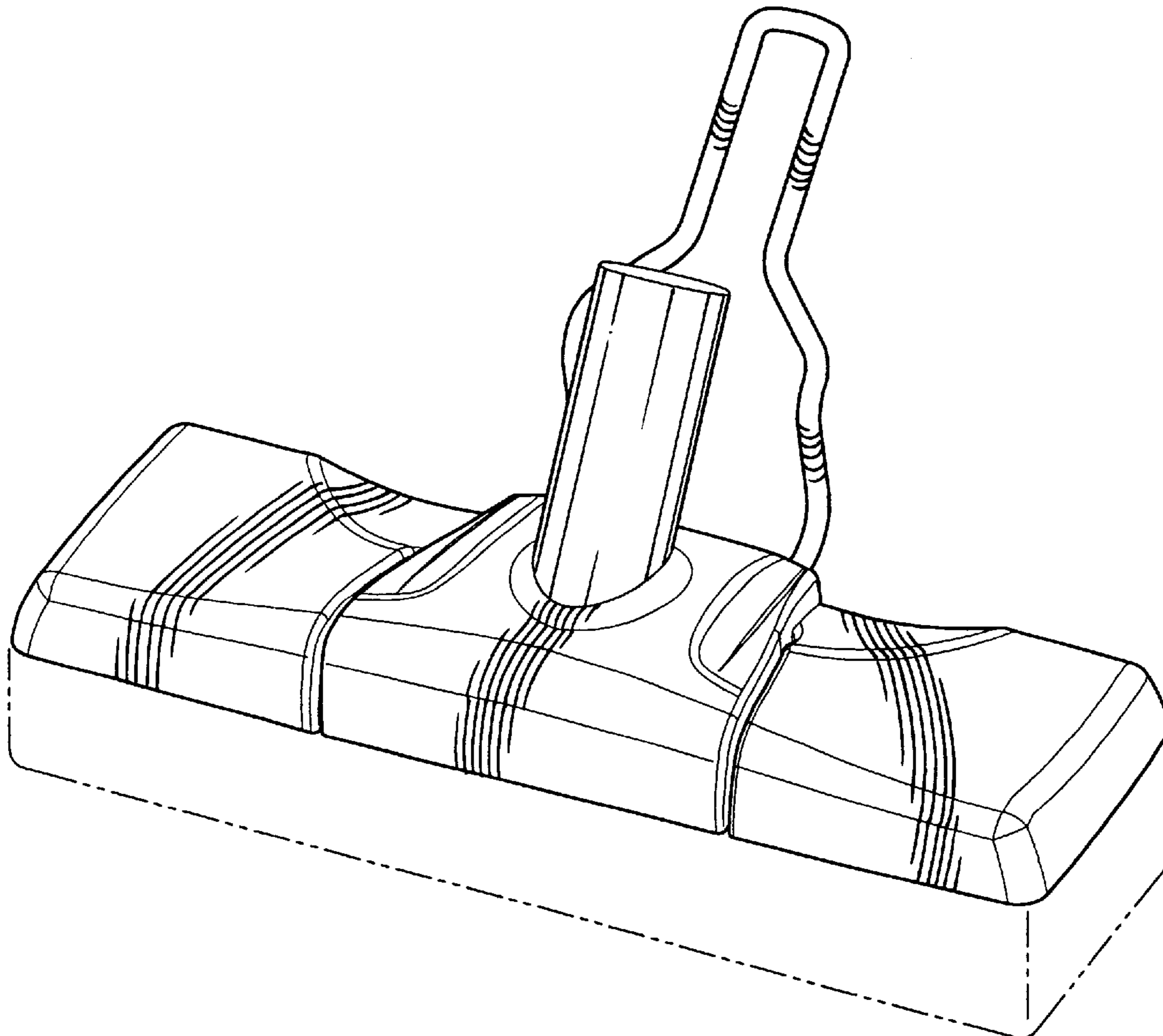
FIG. 1 is a top right front perspective view of a butterfly mop showing my new design; the broken line drawing of a sponge is for illustrative purposes only and forms no part of the claimed design;  
FIG. 2 is a front elevational view thereof;  
FIG. 3 is a left side elevational view thereof; the right side elevational view being a mirror image;  
FIG. 4 is a rear elevational view thereof;  
FIG. 5 is a top plan view thereof; and,  
FIG. 6 is a bottom plan view thereof.

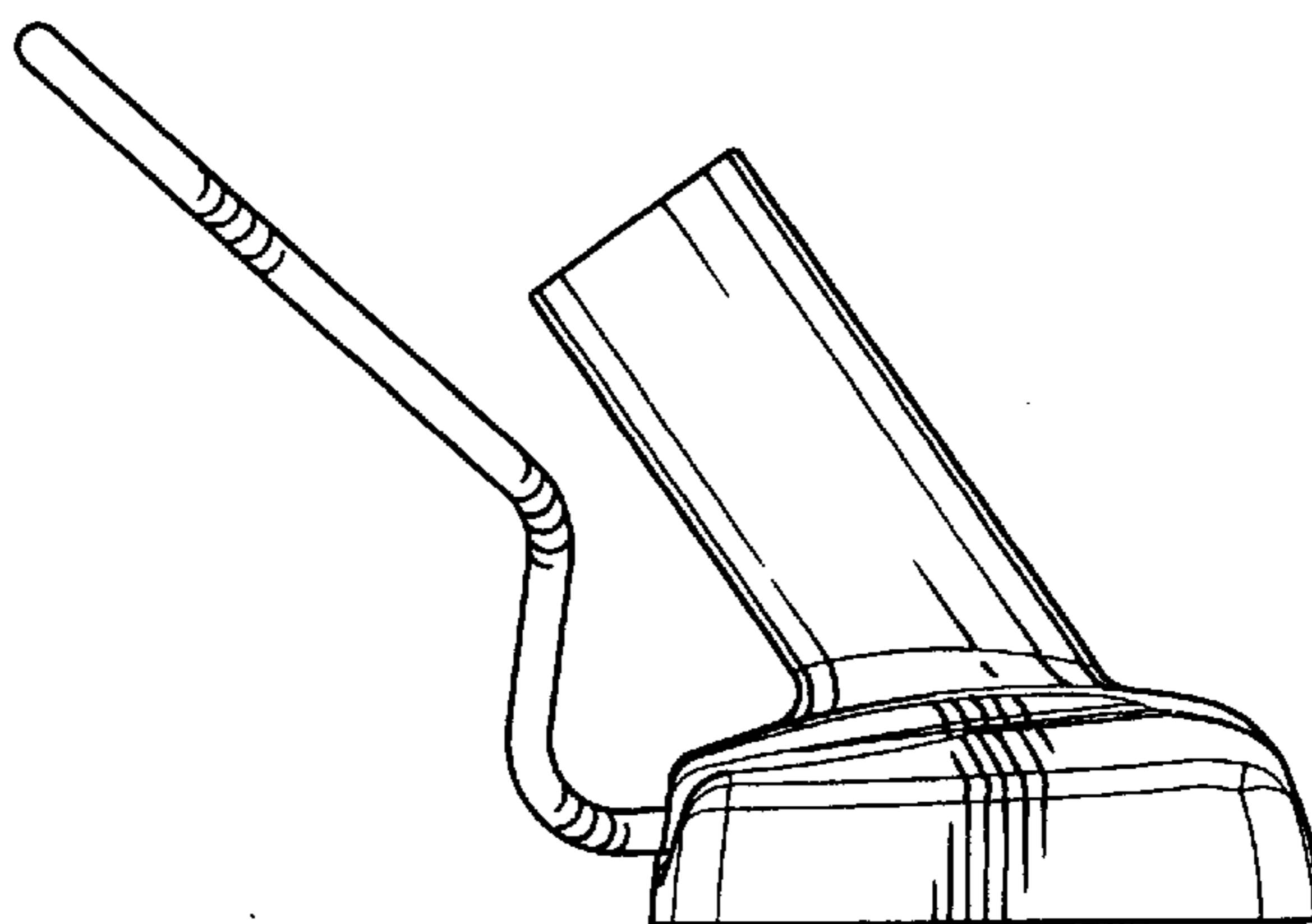
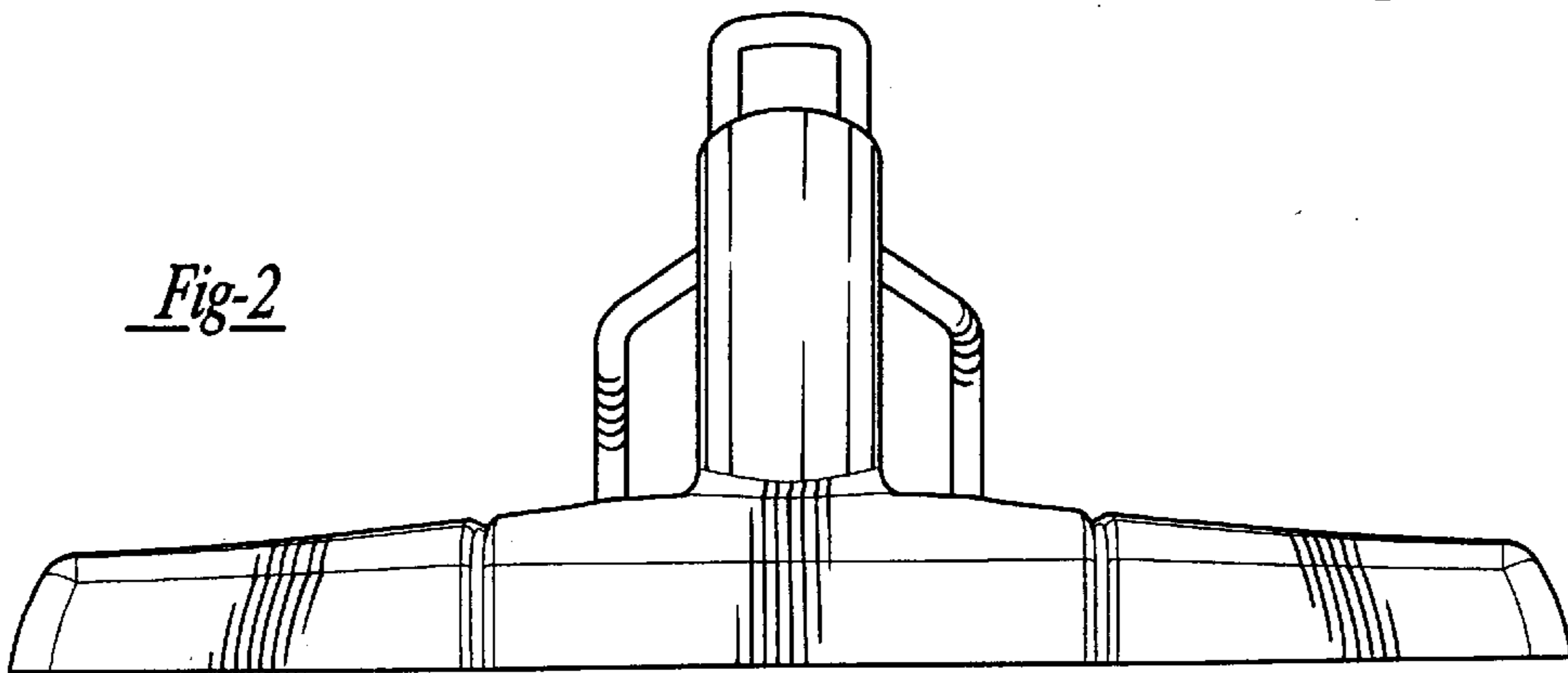
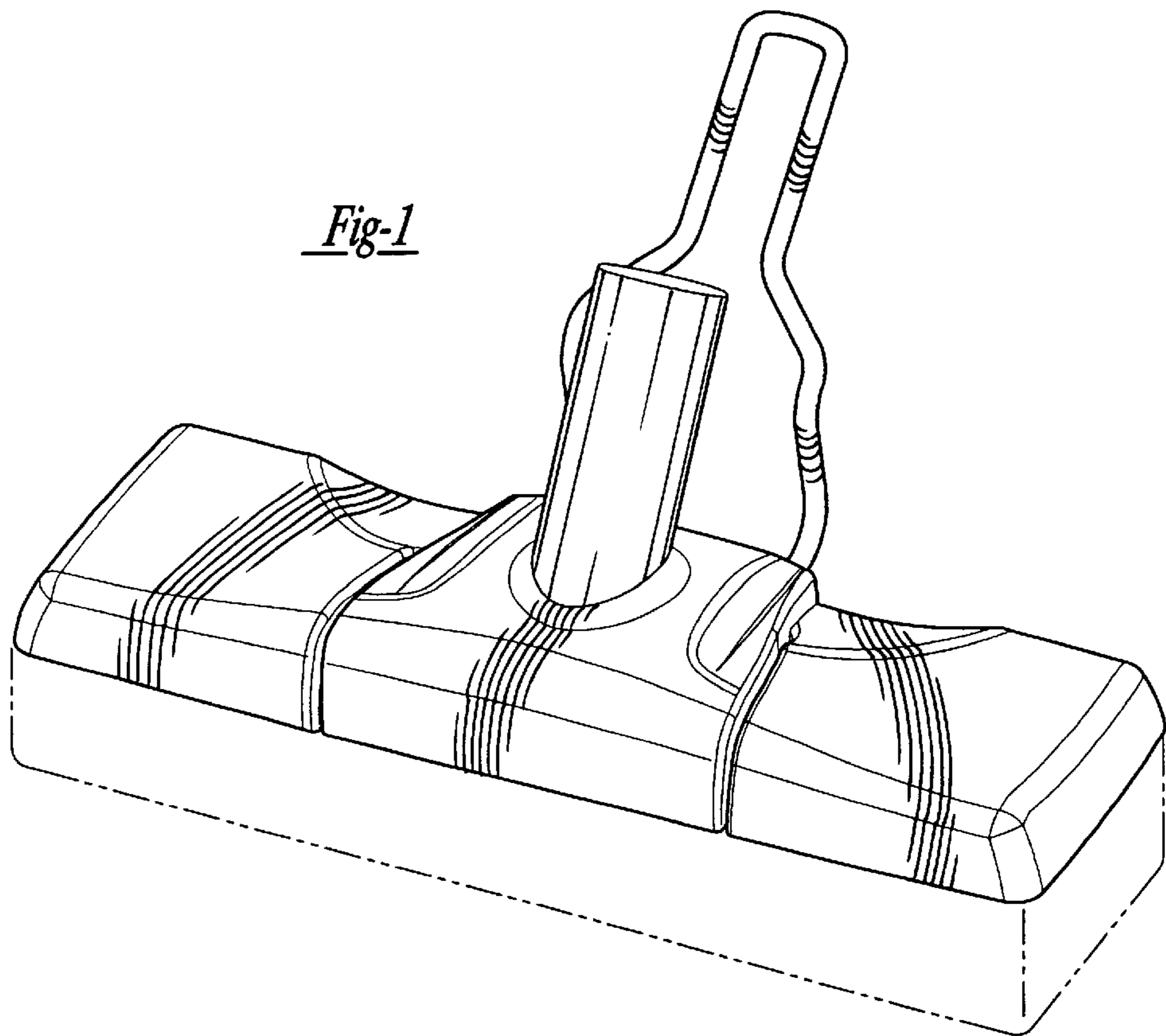
[56] **References Cited**

**U.S. PATENT DOCUMENTS**

- D. 294,415 2/1988 Jones ..... D32/44
- 2,222,368 11/1940 Lux .
- 2,834,035 5/1958 Vosbikian et al. .

**1 Claim, 2 Drawing Sheets**





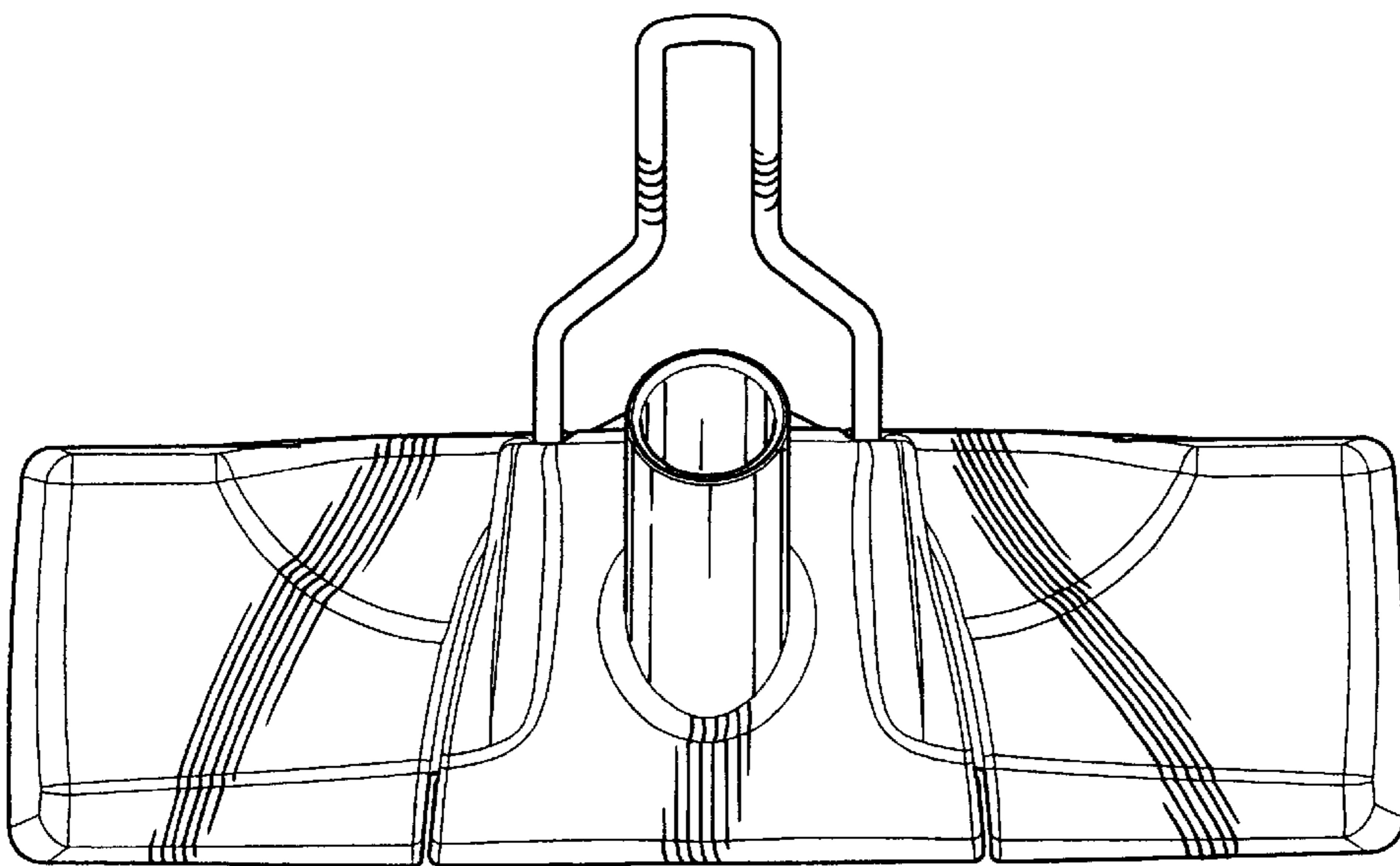
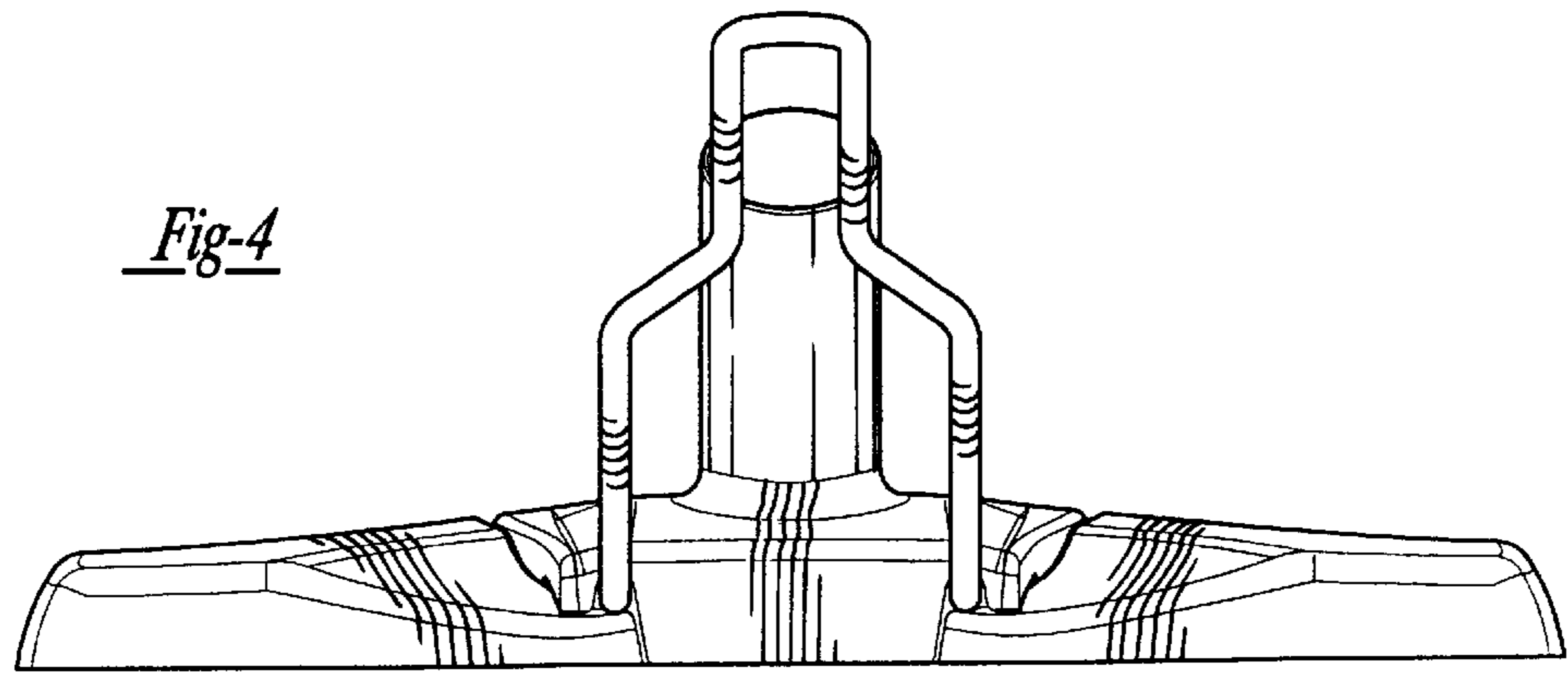


Fig-5

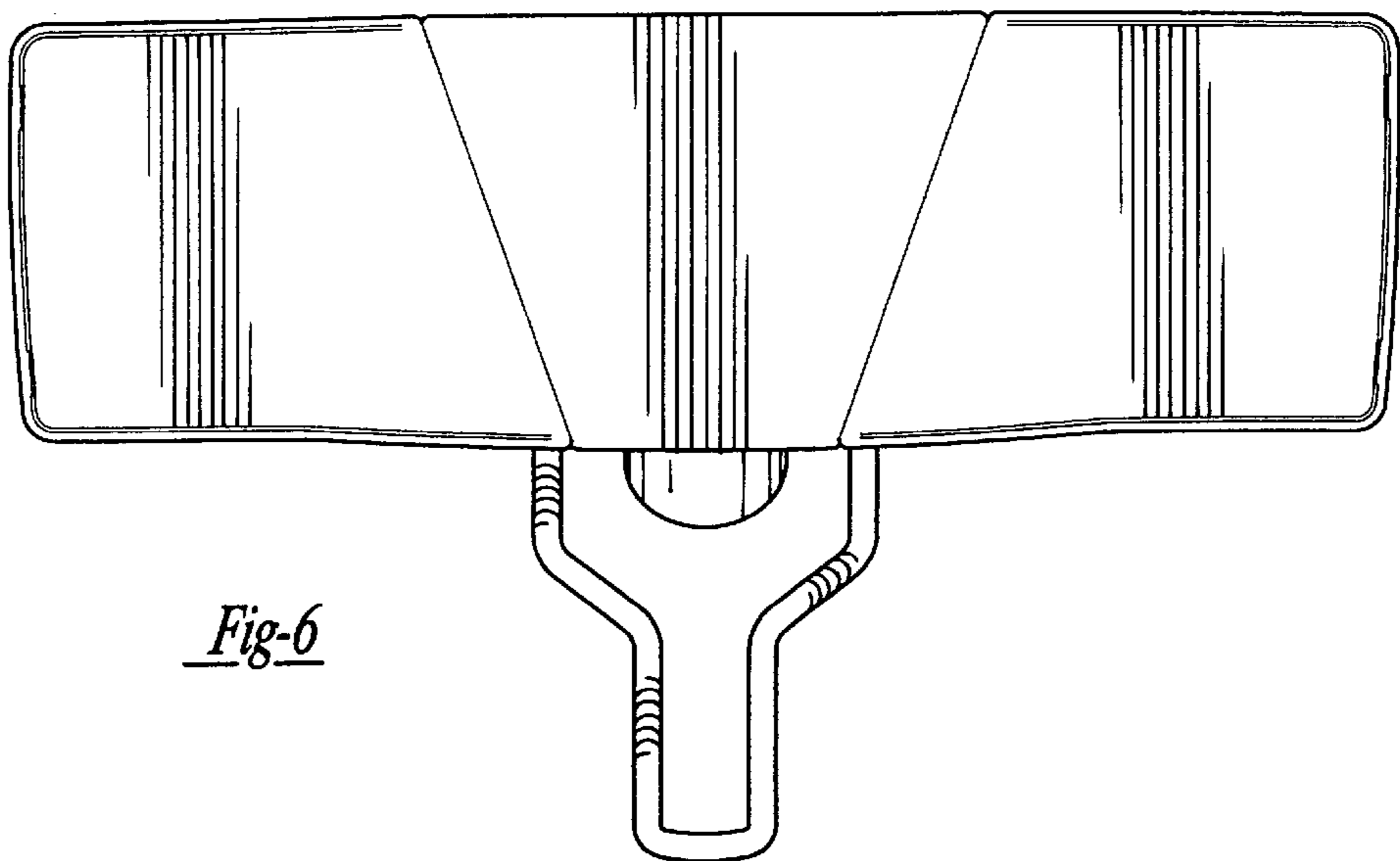


Fig-6