



US00D404859S

United States Patent [19]

Dziersk et al.

[11] Patent Number: **Des. 404,859**

[45] Date of Patent: ****Jan. 26, 1999**

[54] **CARPET CLEANER**

[75] Inventors: **Mark Dieter Dziersk**, Chicago; **James C. Hand**, Glen Ellyn, both of Ill.

[73] Assignee: **Breuer Electric Mfg. Co.**, Chicago, Ill.

[**] Term: **14 Years**

[21] Appl. No.: **71,623**

[22] Filed: **Sep. 30, 1996**

[51] **LOC (6) Cl.** **15-05**

[52] **U.S. Cl.** **D32/21**

[58] **Field of Search** D32/15-16, 21;
15/320-322, 323, 329, 335, 344, 347, 350,
352, 353, 361, 410, 412, 50.1, 50.3, 52.1,
79.1-79.2

[56] **References Cited**

U.S. PATENT DOCUMENTS

D. 298,479	11/1988	Jacobs et al.	D32/16
D. 337,184	7/1993	Bothun et al.	D32/21
D. 337,185	7/1993	Wulff	D32/21

D. 344,374	2/1994	Wulff	D32/21
D. 345,034	3/1994	Fitzwater	D32/21
D. 364,947	12/1995	Kent et al.	D32/22
D. 365,423	12/1995	Bores et al.	D32/16
5,121,592	6/1992	Jertson	15/79.2
5,657,509	8/1997	Trautloff et al.	15/321

Primary Examiner—Ruth McInroy
Attorney, Agent, or Firm—Jack E. Dominik

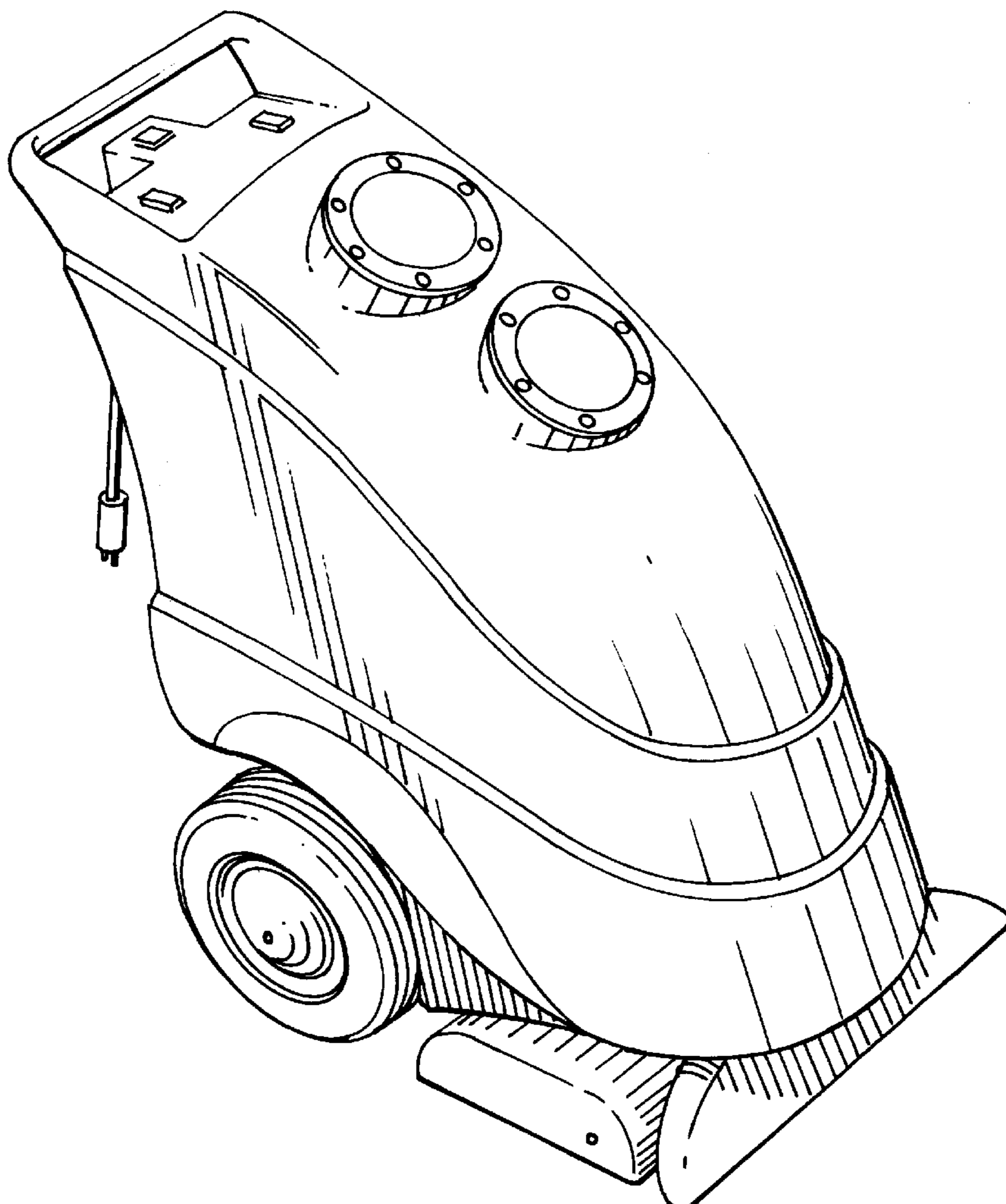
[57] **CLAIM**

The ornamental design for a carpet cleaner, as shown and described.

DESCRIPTION

FIG. 1 is a perspective view of a carpet cleaner showing our new design;
FIG. 2 is a top plan view thereof;
FIG. 3 is a bottom plan view thereof;
FIG. 4 is a side elevational view thereof;
FIG. 5 is a rear elevational view thereof;
FIG. 6 is a front elevational view thereof; and,
FIG. 7 is a side elevational view of the opposite of FIG. 4.

1 Claim, 5 Drawing Sheets



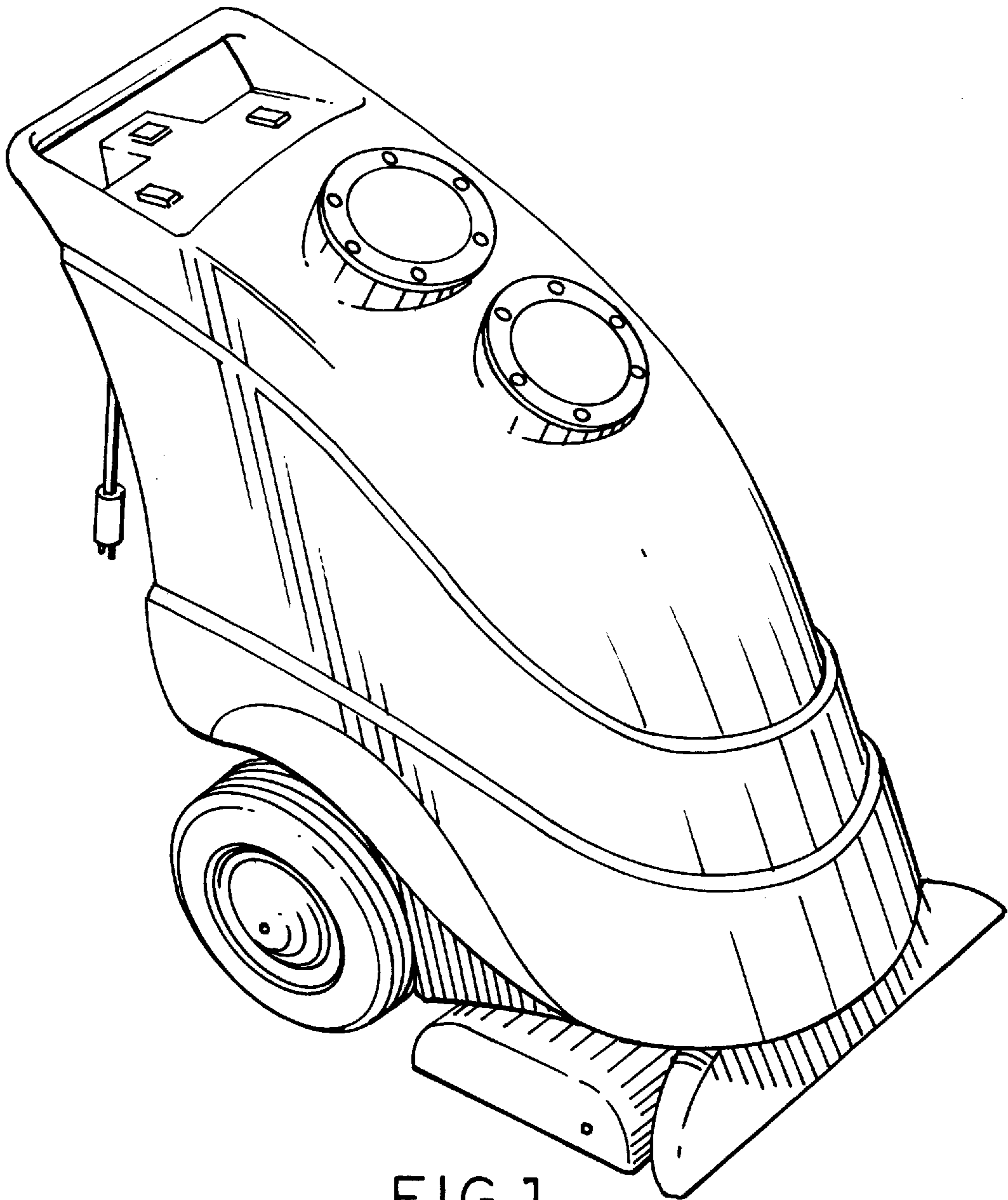


FIG. 1

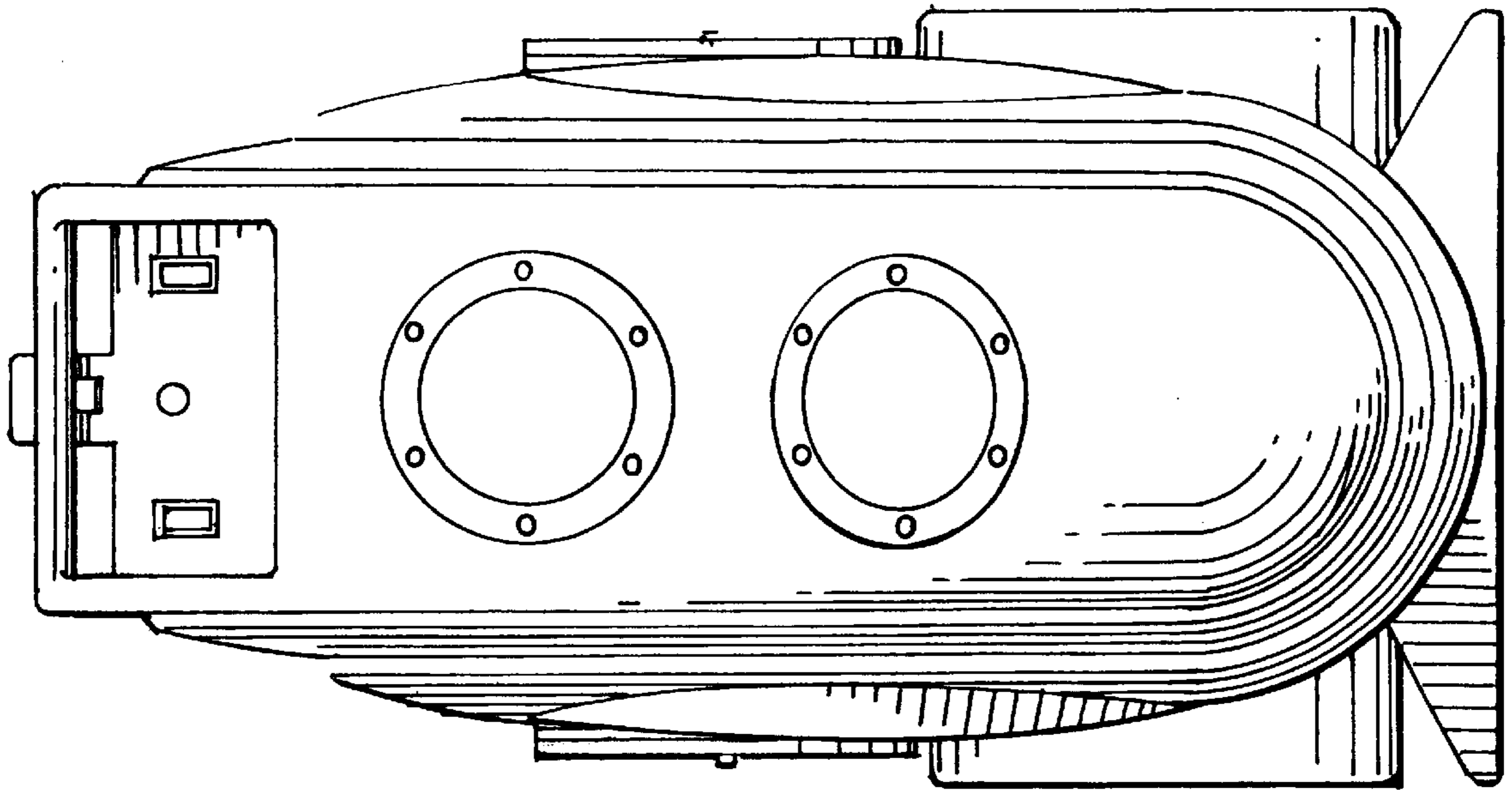


FIG. 2

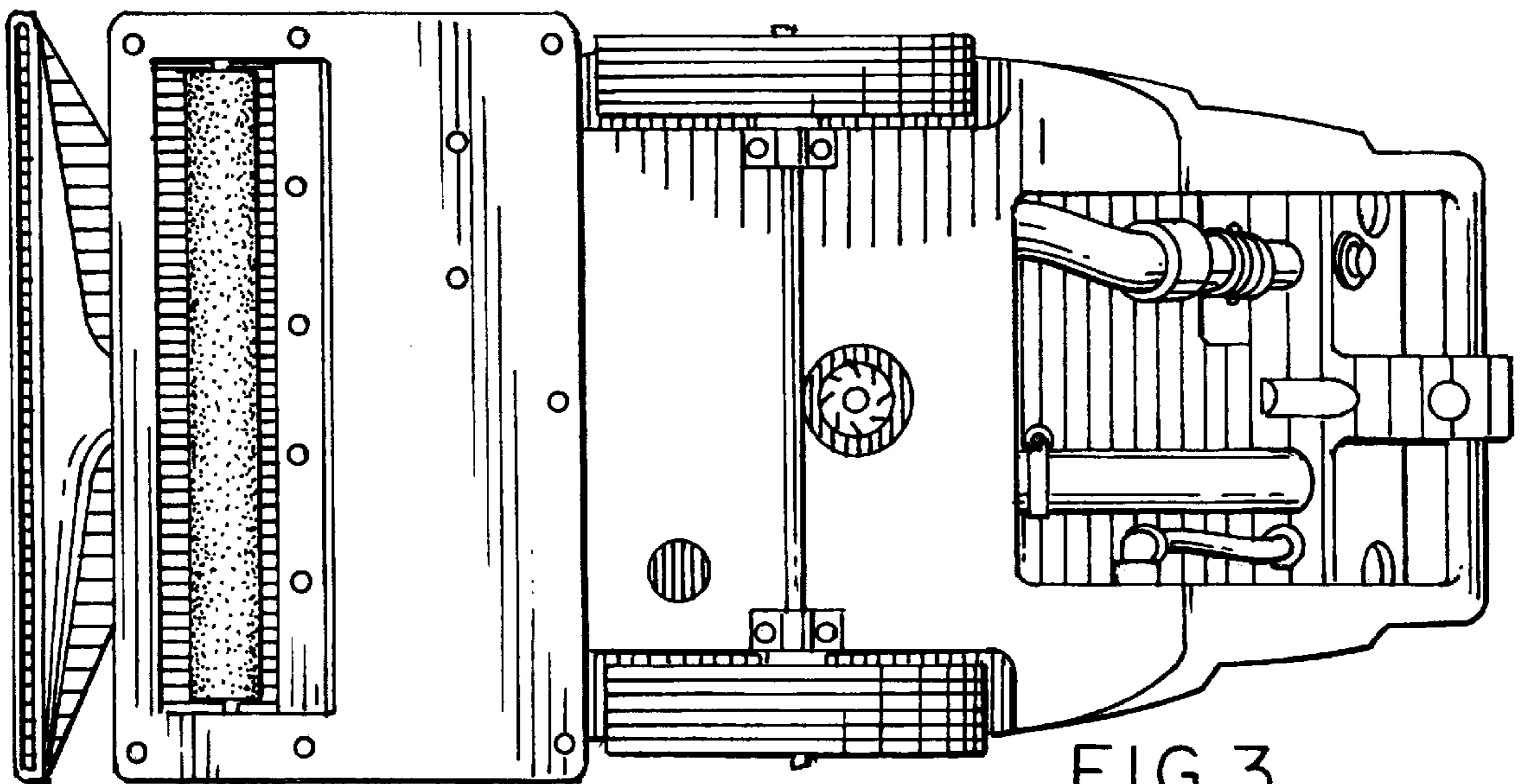


FIG. 3

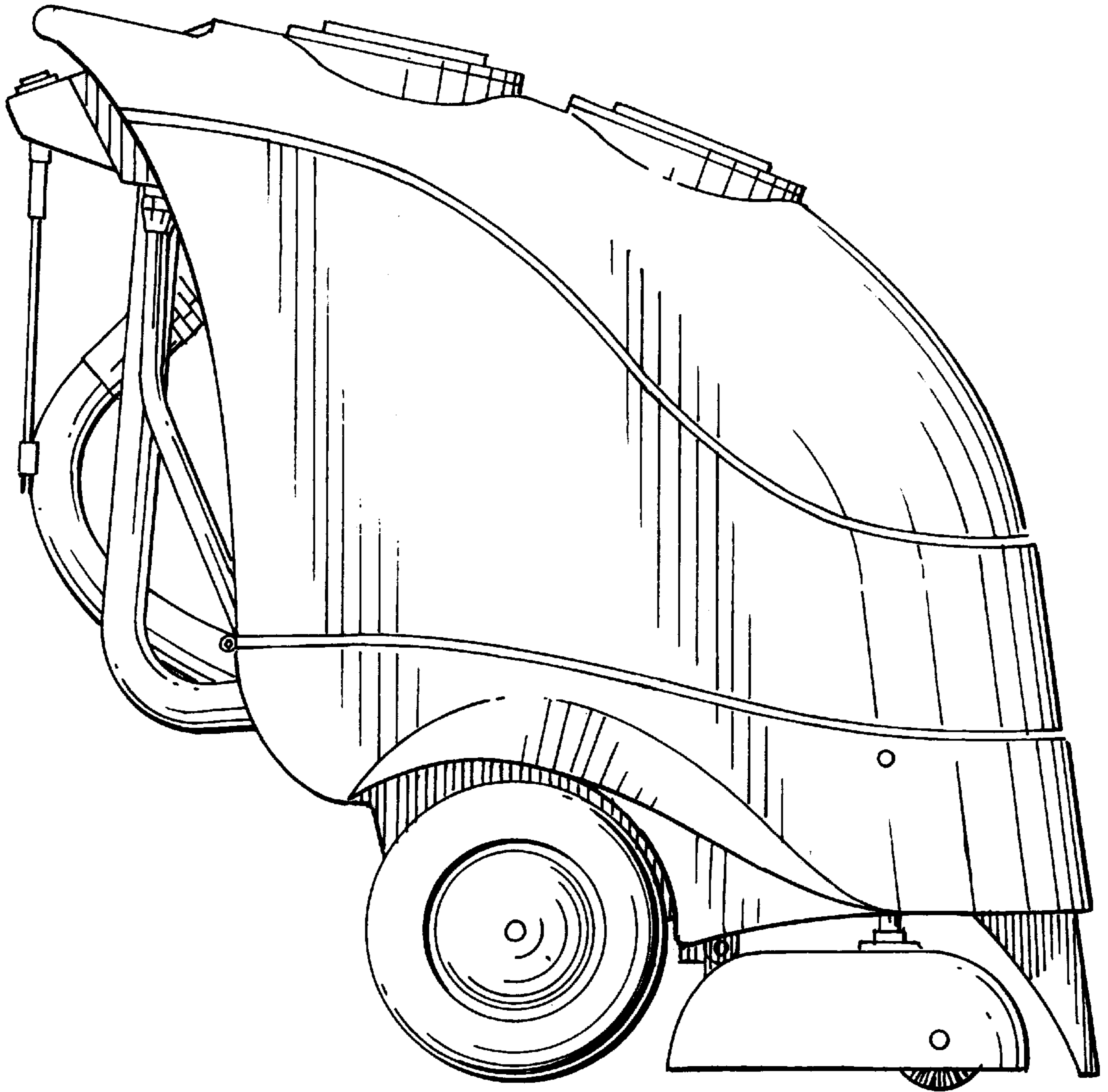


FIG.4

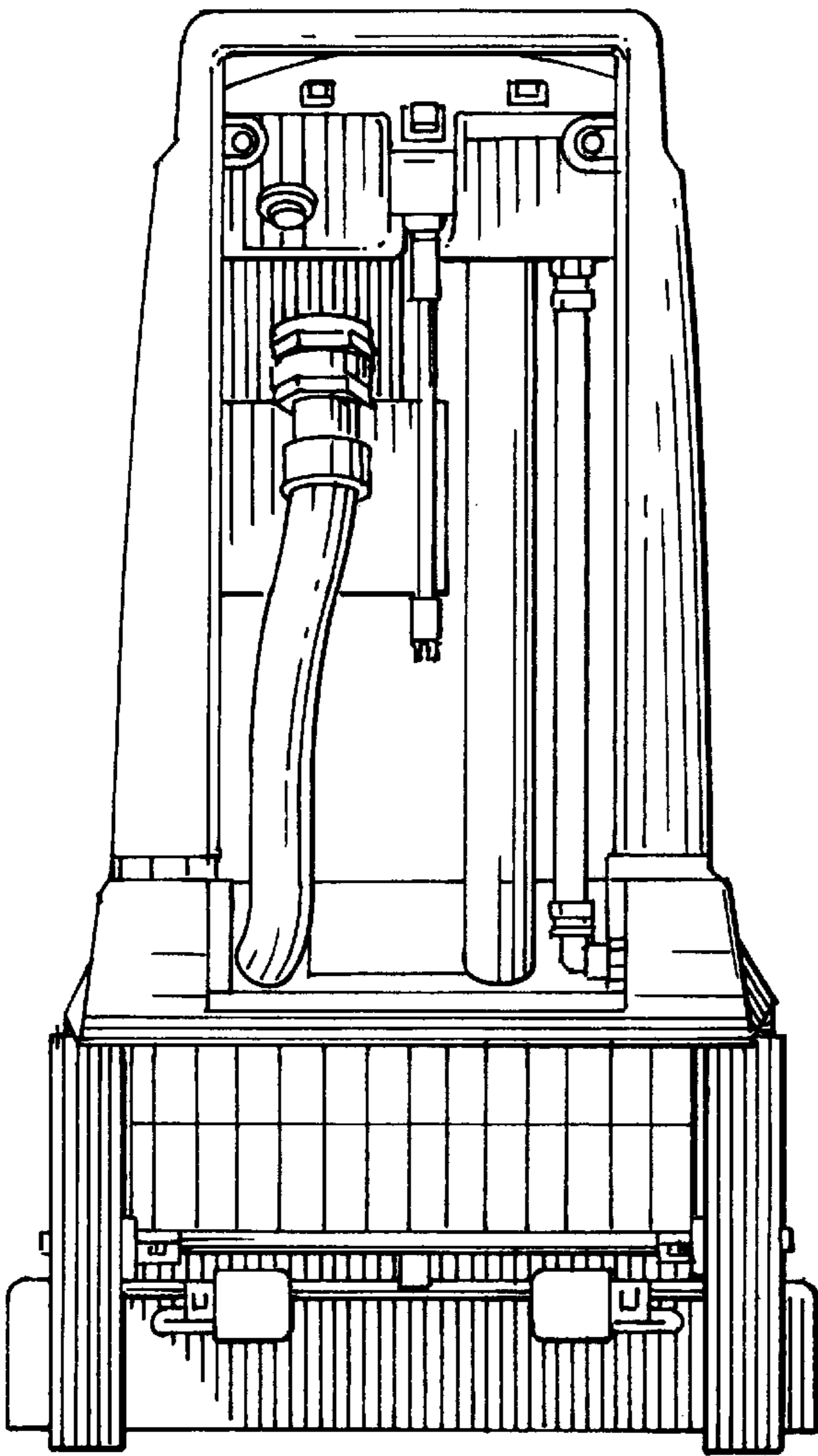


FIG. 5

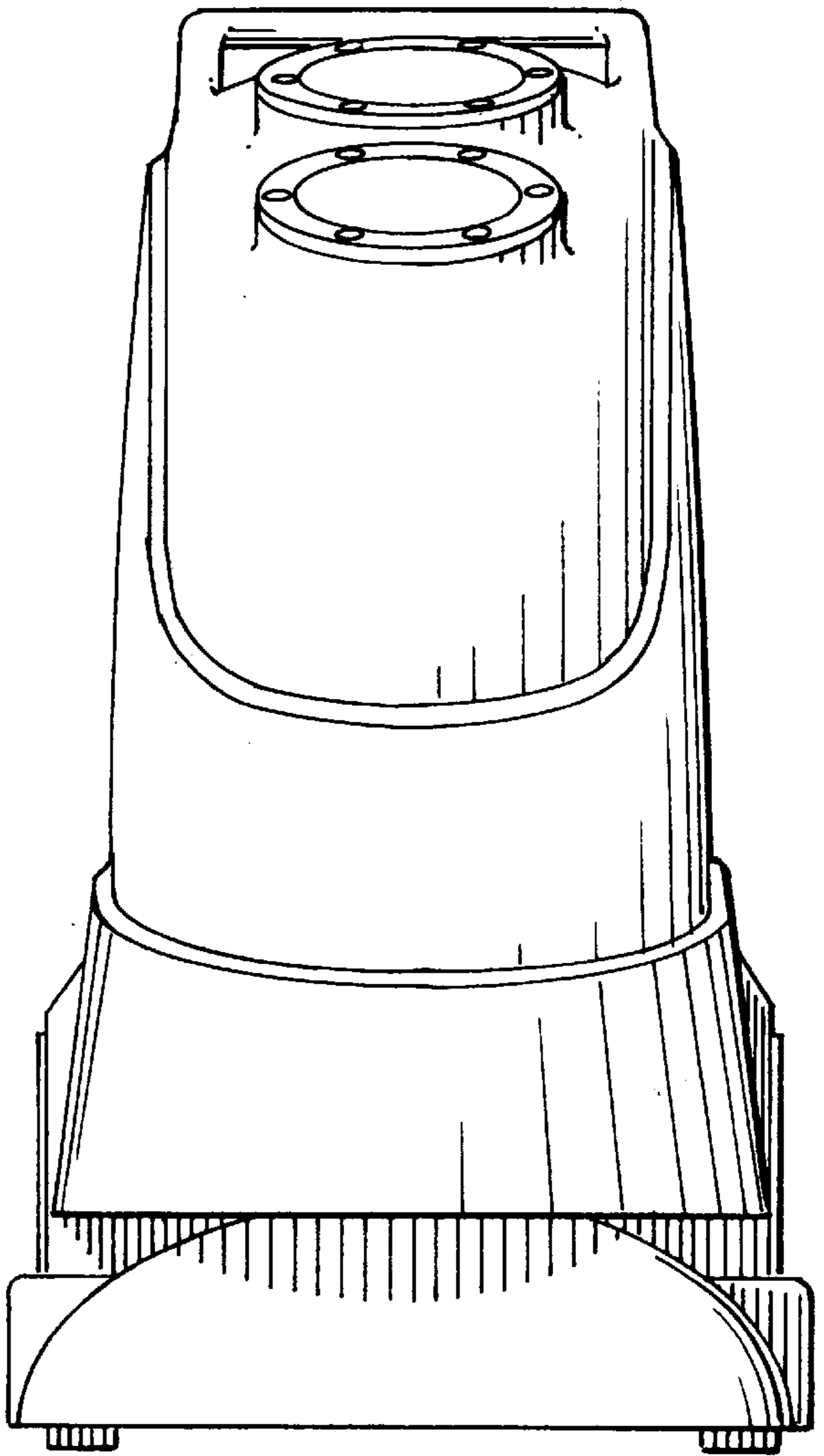


FIG. 6

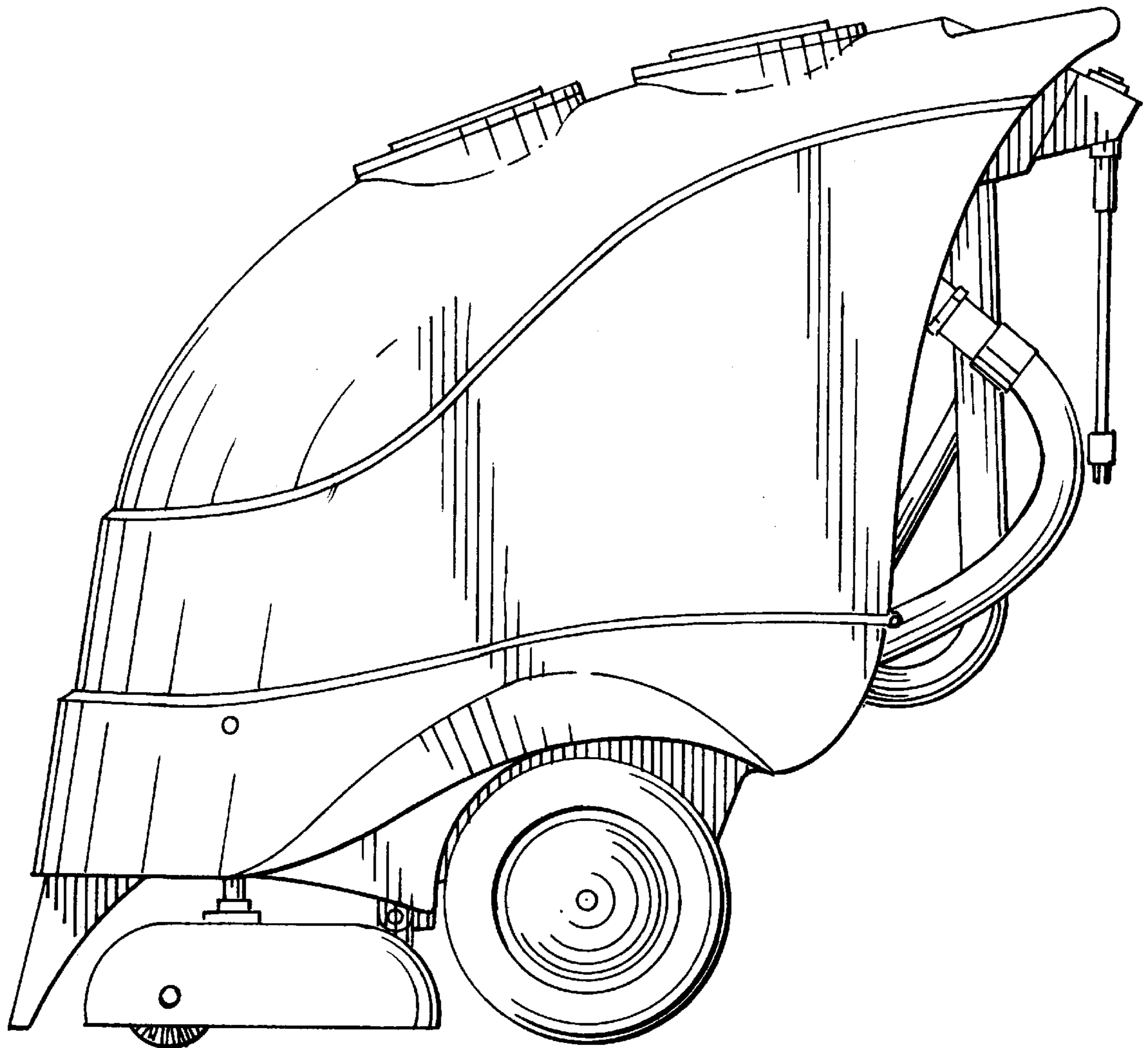


FIG. 7