



US00D404853S

United States Patent [19]

Foster et al.

[11] Patent Number: **Des. 404,853**

[45] Date of Patent: ****Jan. 26, 1999**

- [54] **PORTABLE PET BATH**
- [75] Inventors: **Jody Raymond Foster**, 3917 Quarry Rd., La Mesa, Calif. 91941; **Wendy Ann Leger**, La Mesa, Calif.
- [73] Assignee: **Jody Raymond Foster**
- [**] Term: **14 Years**
- [21] Appl. No.: **75,200**
- [22] Filed: **Aug. 22, 1997**
- [51] **LOC (6) Cl.** **30-99**
- [52] **U.S. Cl.** **D30/158; D23/278**
- [58] **Field of Search** D30/199, 158; 119/174, 677, 603, 606, 673, 665, 675, 676; D23/277-278, 280.2

573,625	12/1896	Ruffner	D23/278
1,760,017	5/1930	Smoot	119/671
2,438,979	4/1948	Short	119/676
3,485,213	12/1969	Scanlon	119/676
3,583,368	6/1971	Mandelbaum	D30/158
5,193,487	3/1993	Vogel	119/671
5,213,064	5/1993	Mondine et al.	119/671
5,243,931	9/1993	McDonough	119/671
5,259,339	11/1993	McLaughlin	119/676
5,269,260	12/1993	Farrell et al.	119/676
5,279,257	1/1994	Temby	119/676
5,662,069	9/1997	Smith	119/673
5,678,511	10/1997	Day	119/676
5,711,252	1/1998	Brandolino	119/673

Primary Examiner—Cathy Anne MacCormac

[57] CLAIM

The ornamental design for a portable pet bath, as shown and described.

[56] References Cited

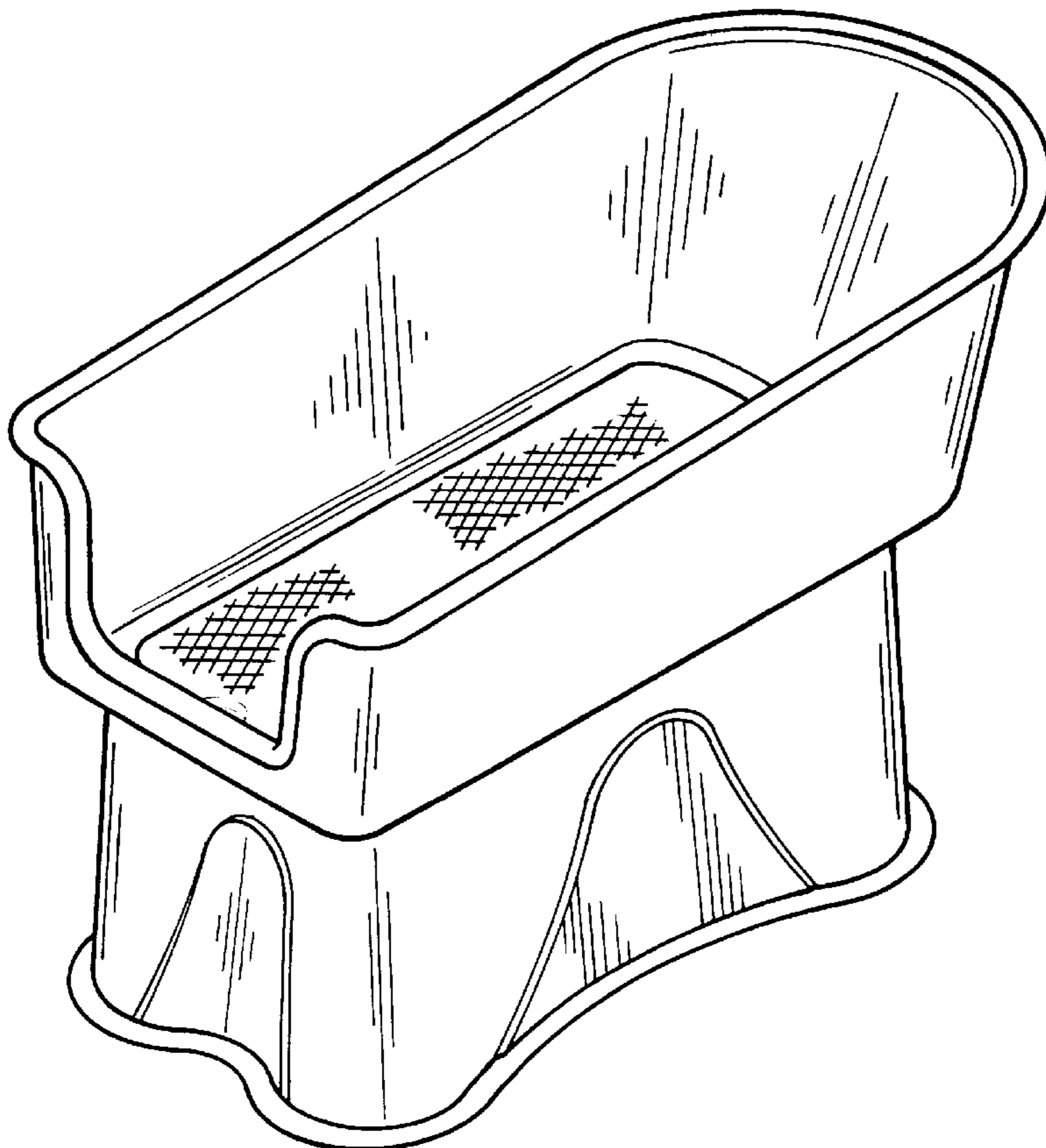
U.S. PATENT DOCUMENTS

D. 23,583	2/1894	Scott	D23/277
D. 186,578	11/1959	Willis	D23/278
D. 253,368	11/1979	Johansson	D23/280.2
D. 282,498	2/1986	Hasse	D30/158
D. 317,371	6/1991	Haffner	D30/158
D. 330,934	11/1992	Levien	D23/277
D. 345,632	3/1994	MdLaughlin	D30/158
D. 346,466	4/1994	Punternold, Sr.	D30/158
D. 350,598	9/1994	Wise et al.	D23/278
D. 393,055	3/1998	Thomas	D23/277

DESCRIPTION

FIG. 1 is a perspective view of a portable pet bath showing our new design;
 FIG. 2 is a rear elevational view thereof;
 FIG. 3 is a front elevational view thereof;
 FIG. 4 is a left elevational view thereof;
 FIG. 5 is a right elevational view thereof;
 FIG. 6 is a top plan view thereof; and,
 FIG. 7 is a bottom plan view thereof.

1 Claim, 2 Drawing Sheets



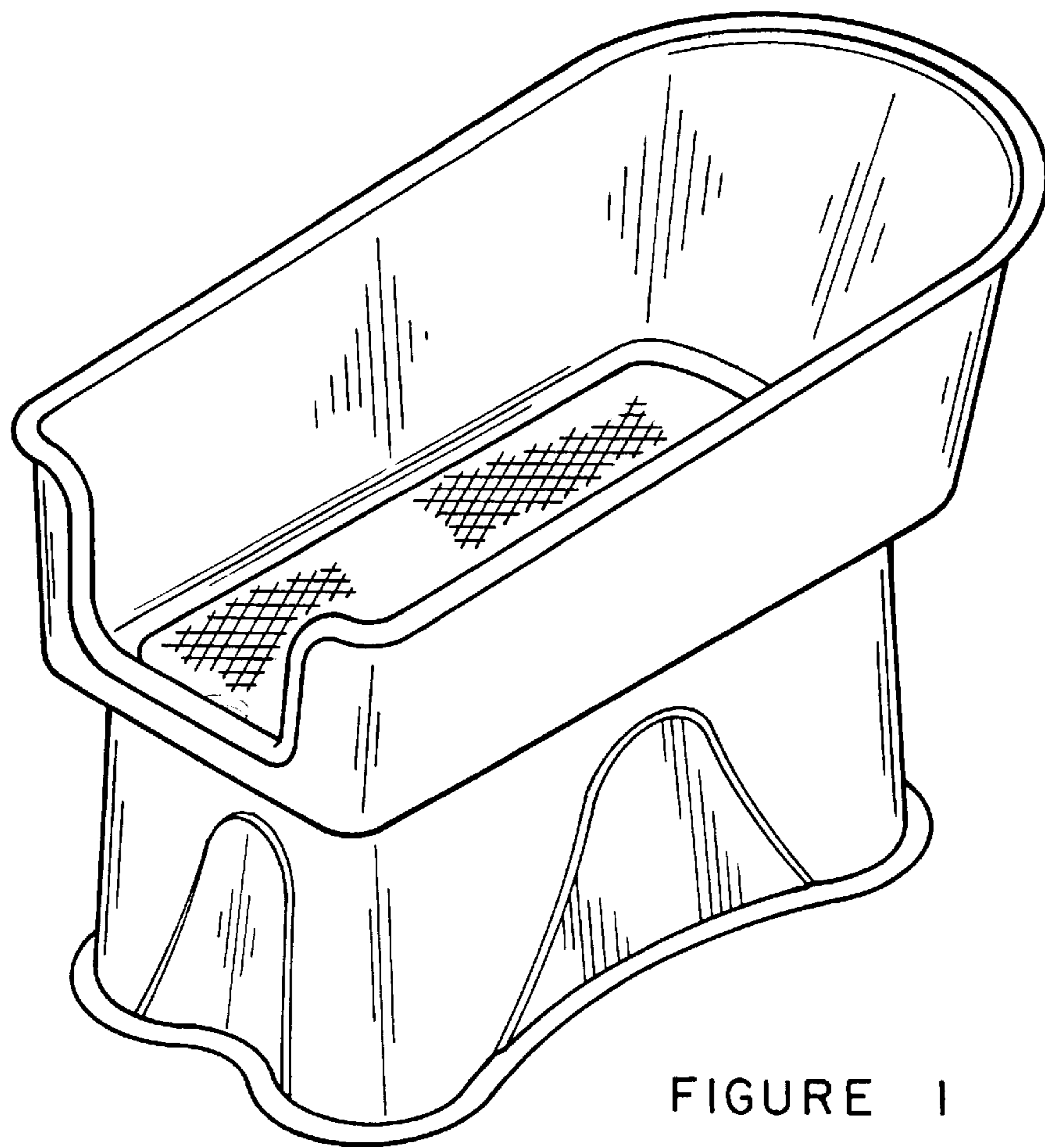


FIGURE 1

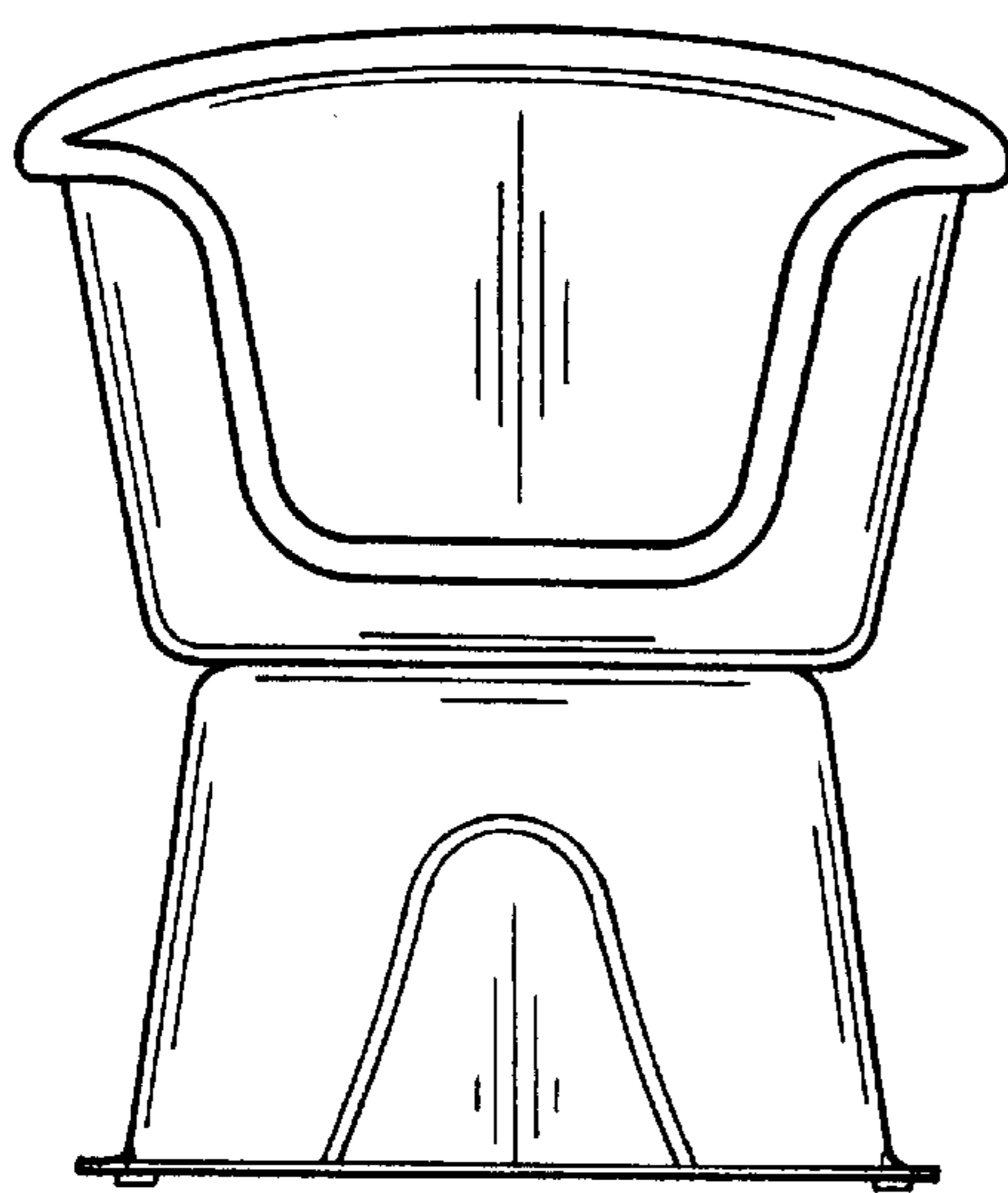


FIGURE 2

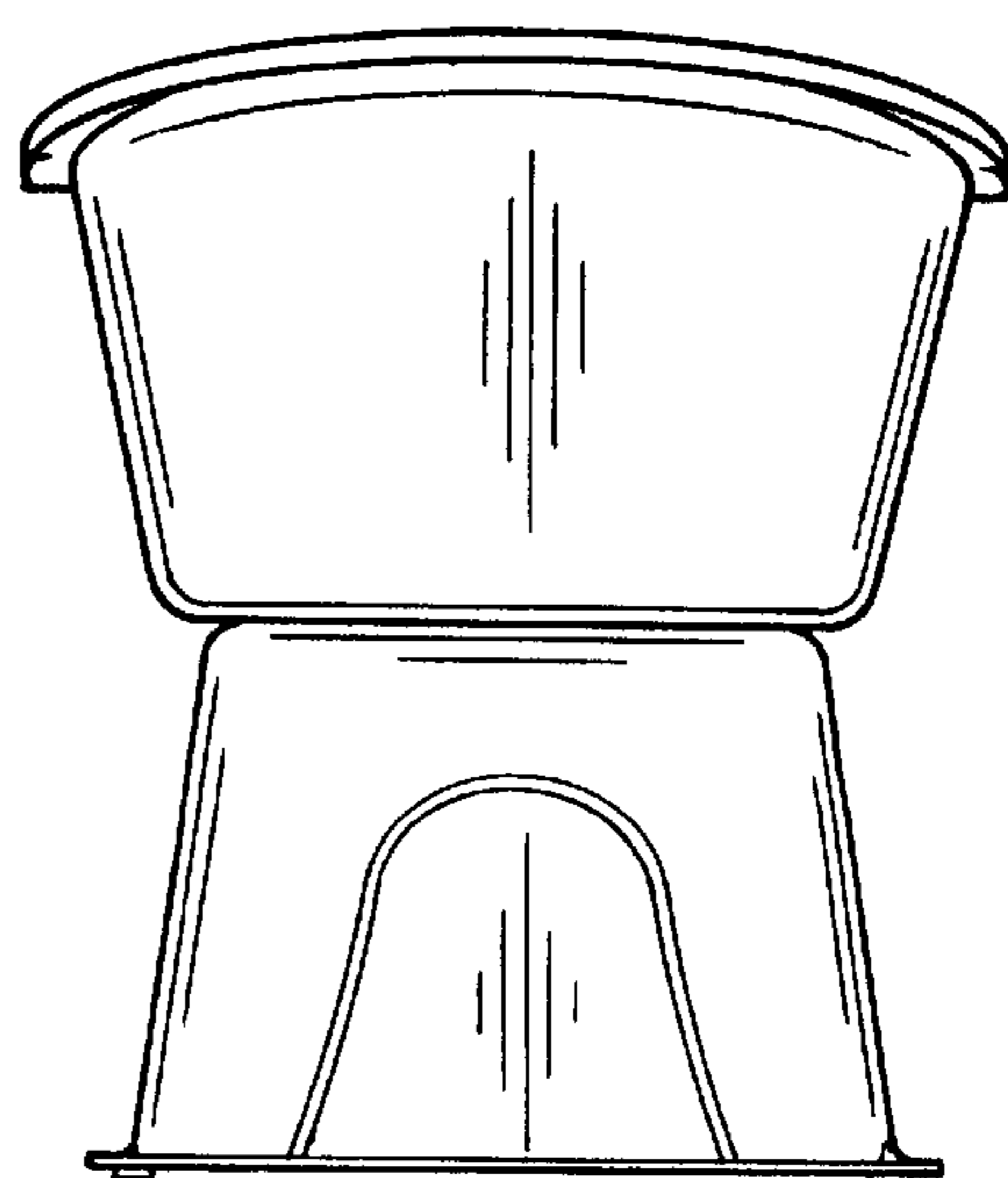


FIGURE 3

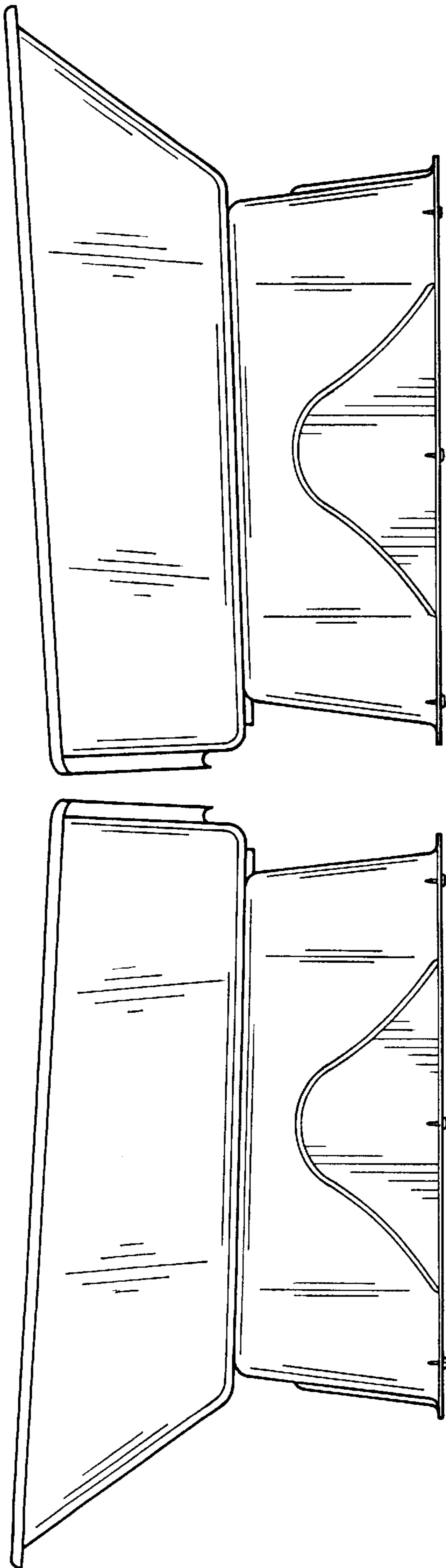


FIGURE 5

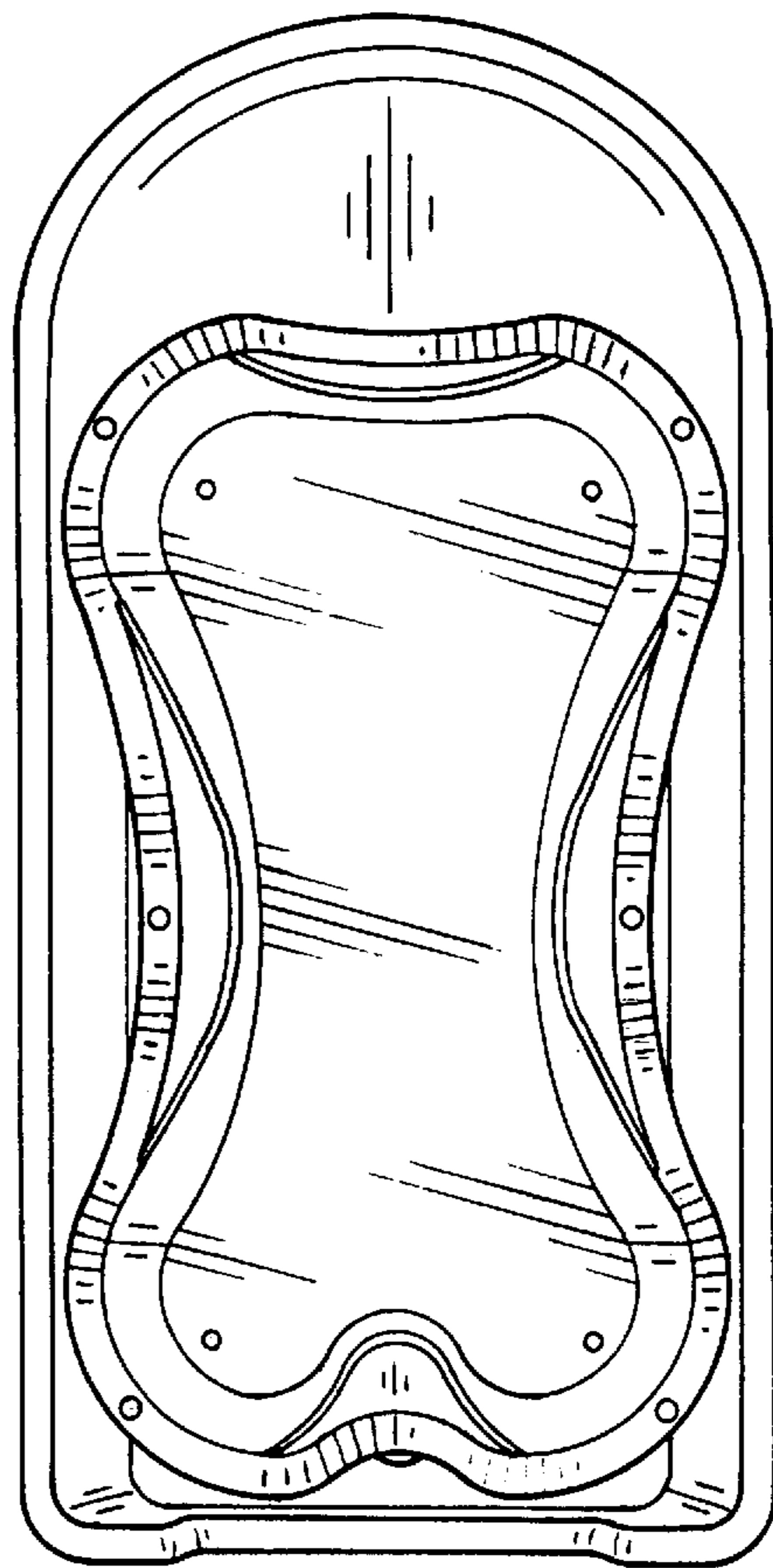


FIGURE 7

FIGURE 4

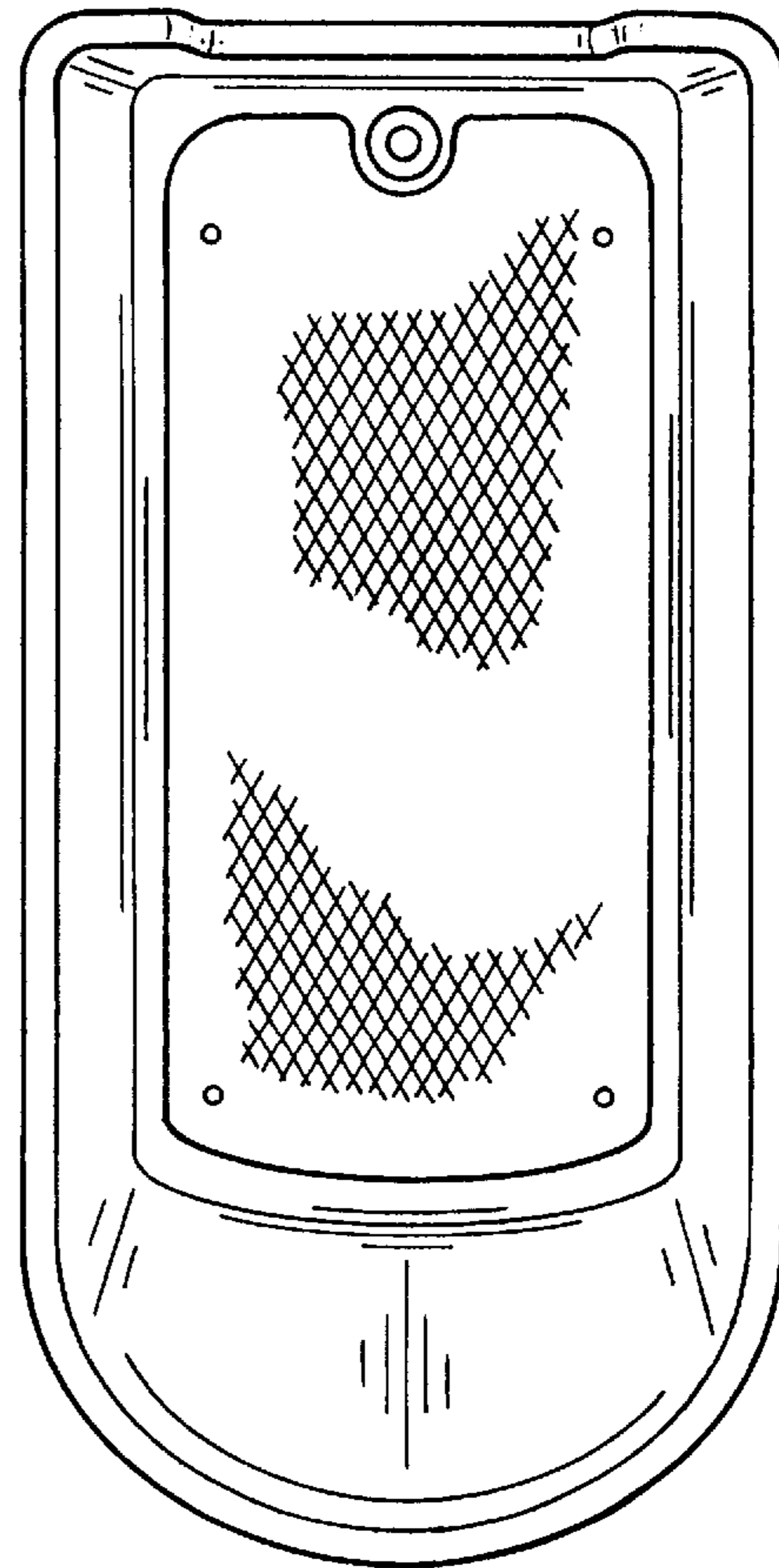


FIGURE 6