



US00D404852S

United States Patent [19]
Powell-Lesnicks

[11] **Patent Number: Des. 404,852**
[45] **Date of Patent: **Jan. 26, 1999**

[54] **ARTICLE OF PROTECTIVE CLOTHING FOR AN ANIMAL**

[76] Inventor: **Kathleen Powell-Lesnicks**, 4151 SW. 102nd Ave., Davie, Fla. 33328-2218

[**] Term: **14 Years**

[21] Appl. No.: **82,311**

[22] Filed: **Jan. 20, 1998**

[51] **LOC (6) Cl.** **30-01**

[52] **U.S. Cl.** **D30/145**

[58] **Field of Search** D30/145, 144; 119/854, 850, 851, 725-726, 712, 814, 816-819; 199/600; 54/71, 79.2, 82, 78, 80.1; 606/241; 482/105

[56] **References Cited**

U.S. PATENT DOCUMENTS

D. 177,490	4/1956	Bacon	D30/145
D. 228,926	10/1973	Bennett	D30/145
D. 265,516	7/1982	Wacker	D30/145
D. 313,291	12/1990	Shanley	D30/145
D. 313,676	1/1991	Indursky et al.	D30/145
D. 352,370	11/1994	Shover	D30/145
D. 352,577	11/1994	Shover	D30/145
D. 361,174	8/1995	Karlen	D30/145
D. 372,563	8/1996	Waugh, Jr.	D30/145
D. 373,228	8/1996	Brown	D30/145
D. 379,687	6/1997	Curtis	D30/145
2,131,495	9/1938	Allen	54/79.2

2,573,154	10/1951	Low	54/79.2
2,850,860	9/1958	Torwill et al.	54/79.2
3,141,443	7/1964	Huey	119/854
3,742,679	7/1973	Jordan	.	
3,895,628	7/1975	Adair	.	
4,355,600	10/1982	Zielinski	.	
5,137,508	8/1992	Engman	.	
5,165,222	11/1992	Cohen et al.	54/79.2
5,359,963	11/1994	Jesse, Jr. et al.	.	

Primary Examiner—Cathy Anne MacCormac
Attorney, Agent, or Firm—Quarles & Brady

[57] **CLAIM**

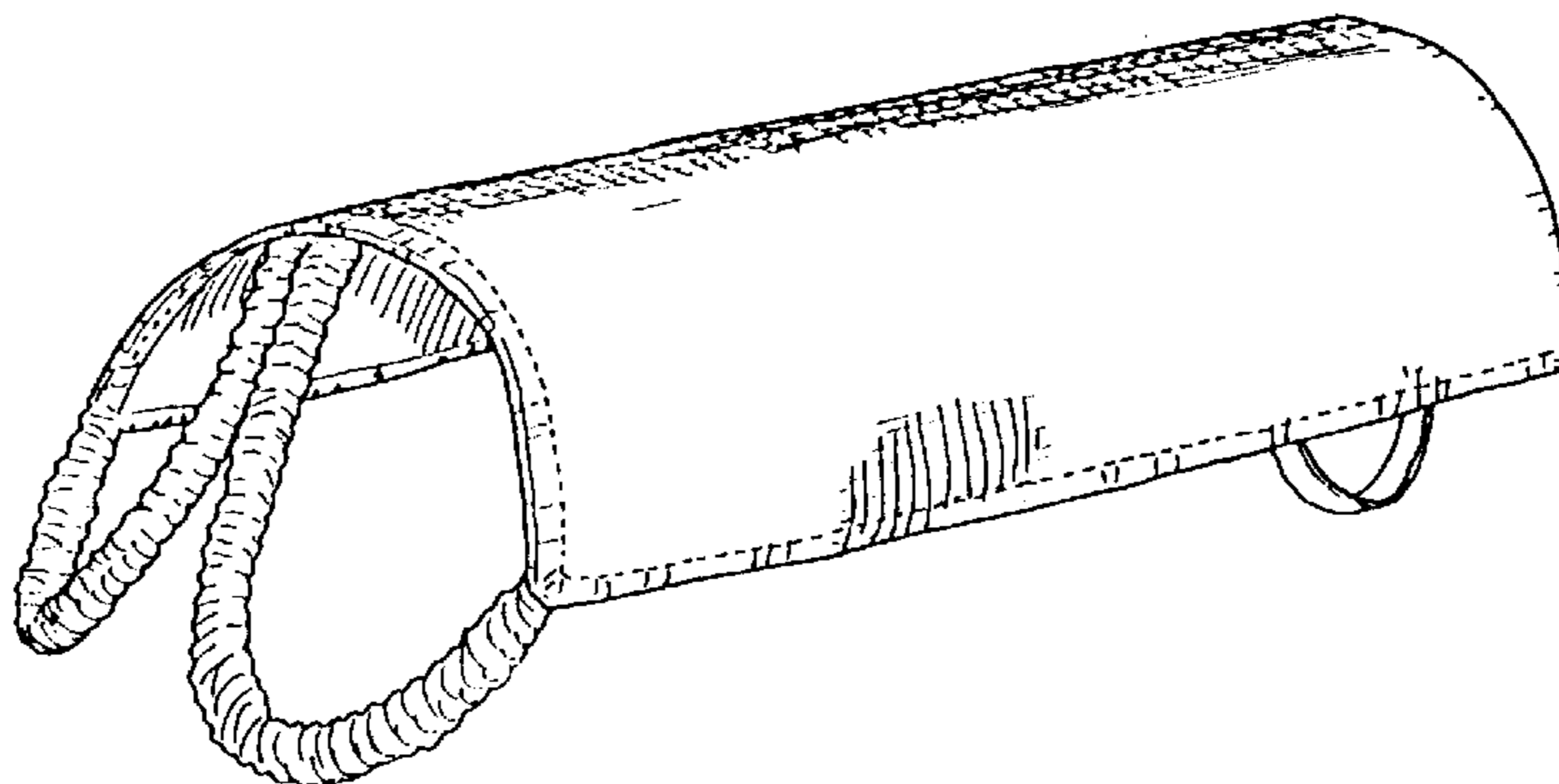
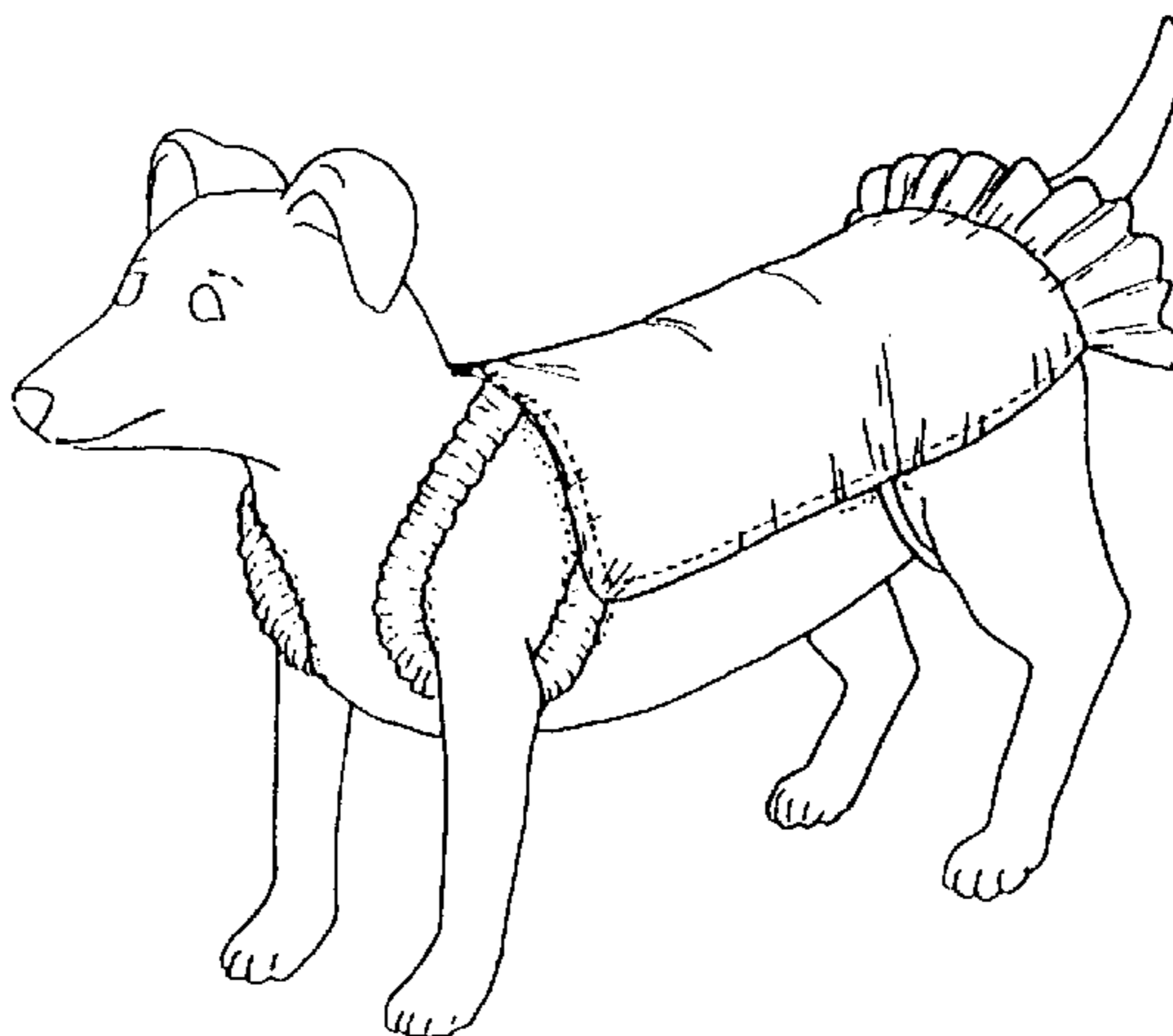
The ornamental design for article of protective clothing for an animal, as shown and described.

DESCRIPTION

FIG. 1 is a top plan view of an article of protective clothing for an animal showing my new design; FIG. 2 is a bottom plan view thereof; FIG. 3 is a left side view thereof; FIG. 4 is a right side view thereof; FIG. 5 is a front view thereof; FIG. 6 is a rear view thereof; FIG. 7 is a perspective view thereof; FIG. 8 is another perspective view thereof; and, FIG. 9 is a perspective view of a second embodiment of FIG. 1.

The broken lines in FIG. 7 are for purposes of illustration only and form no part of the claim design.

1 Claim, 3 Drawing Sheets



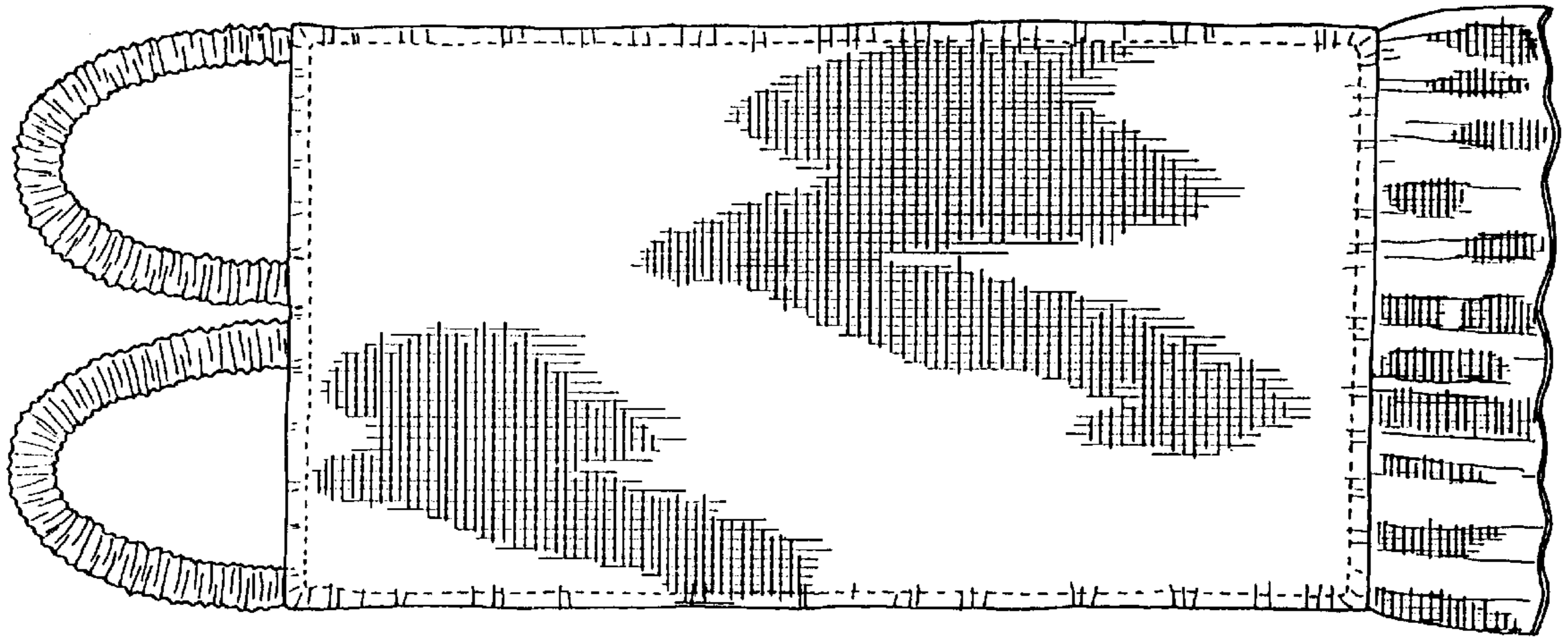


FIG. 1

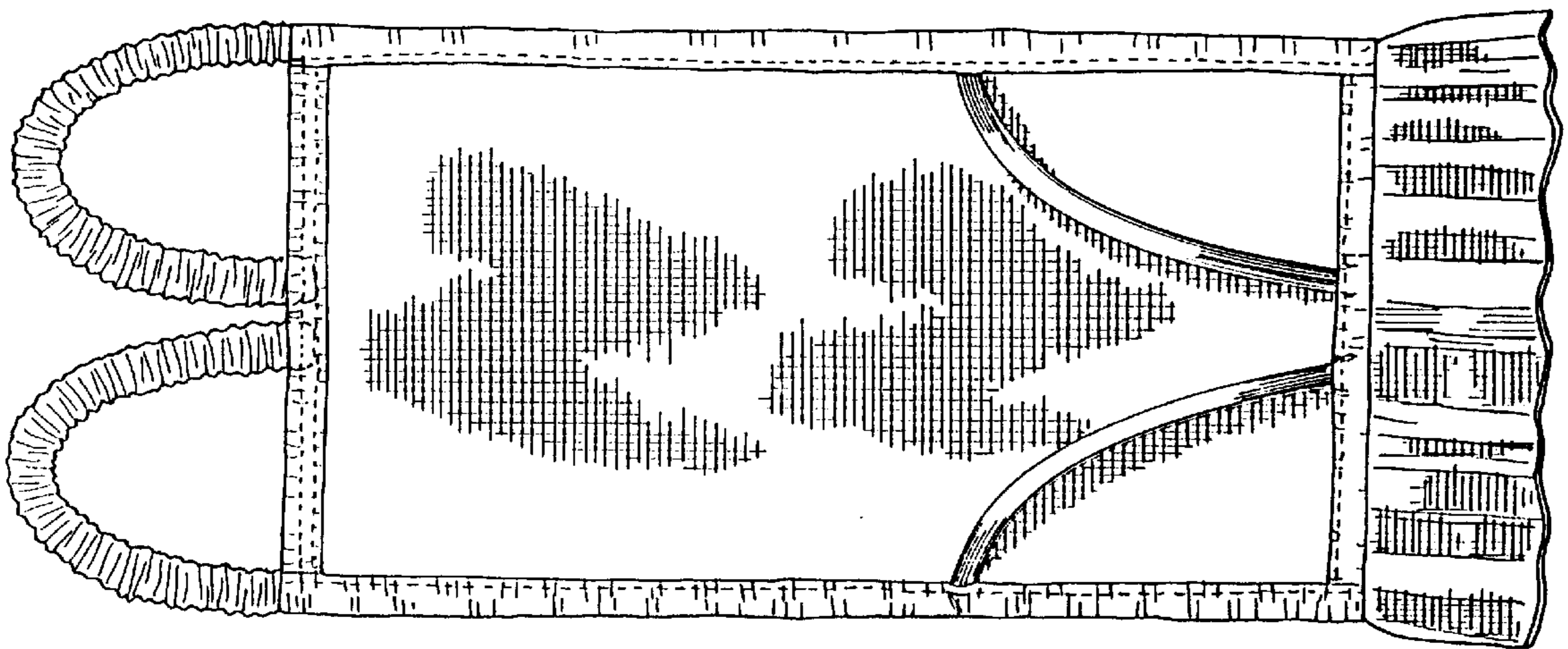


FIG. 2

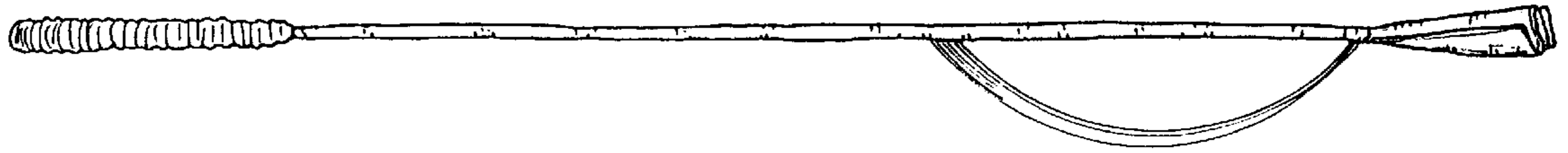


FIG. 3

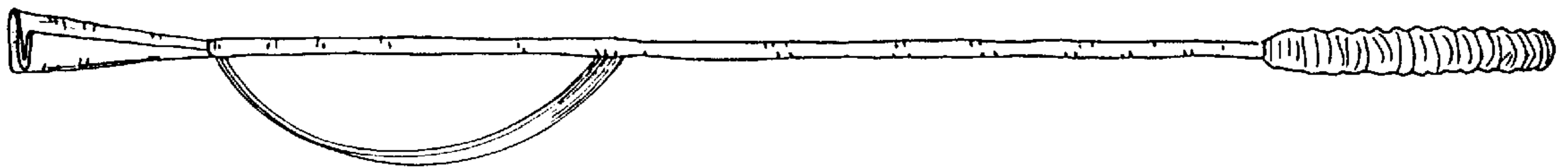


FIG. 4

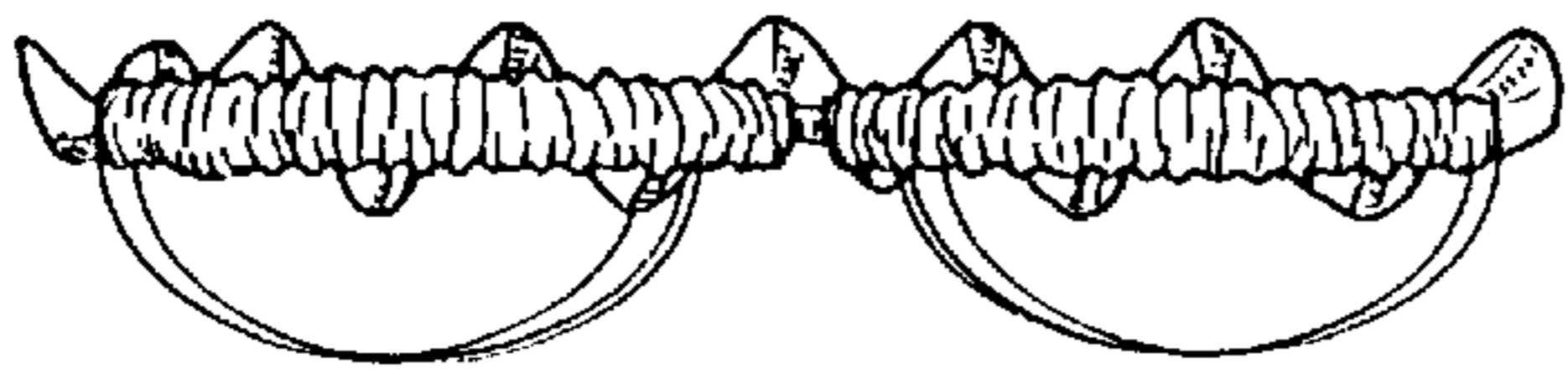


FIG. 5

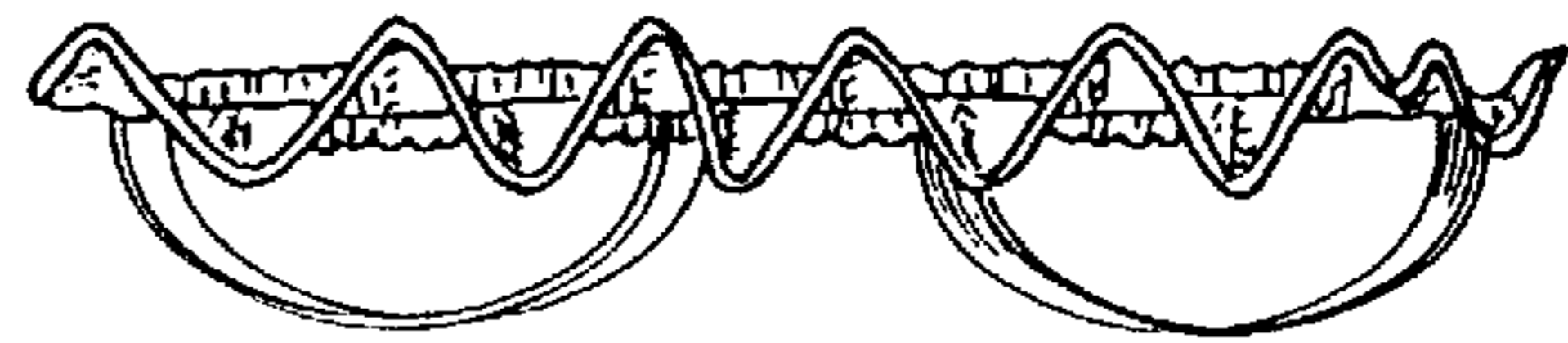


FIG. 6

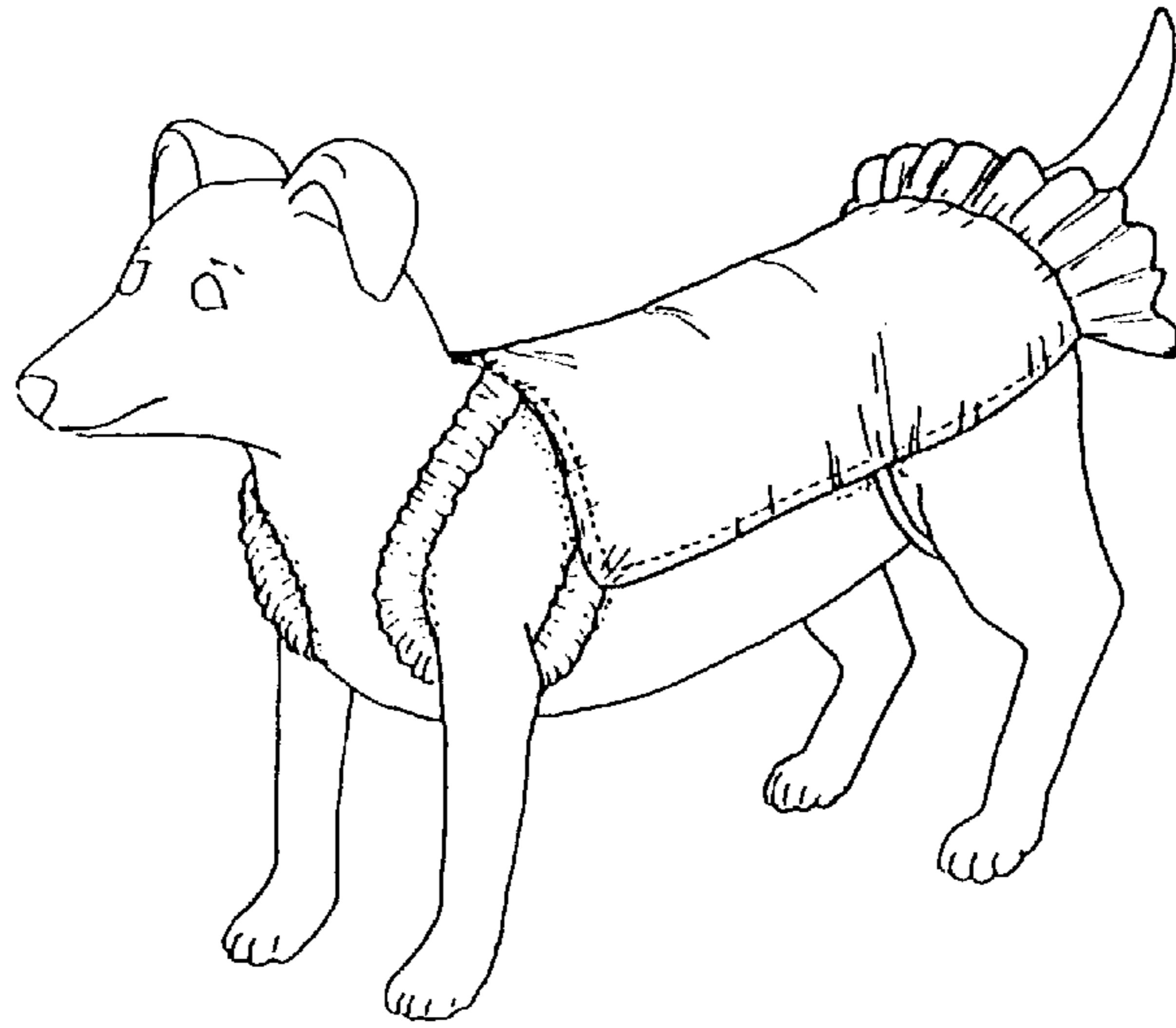


FIG. 7

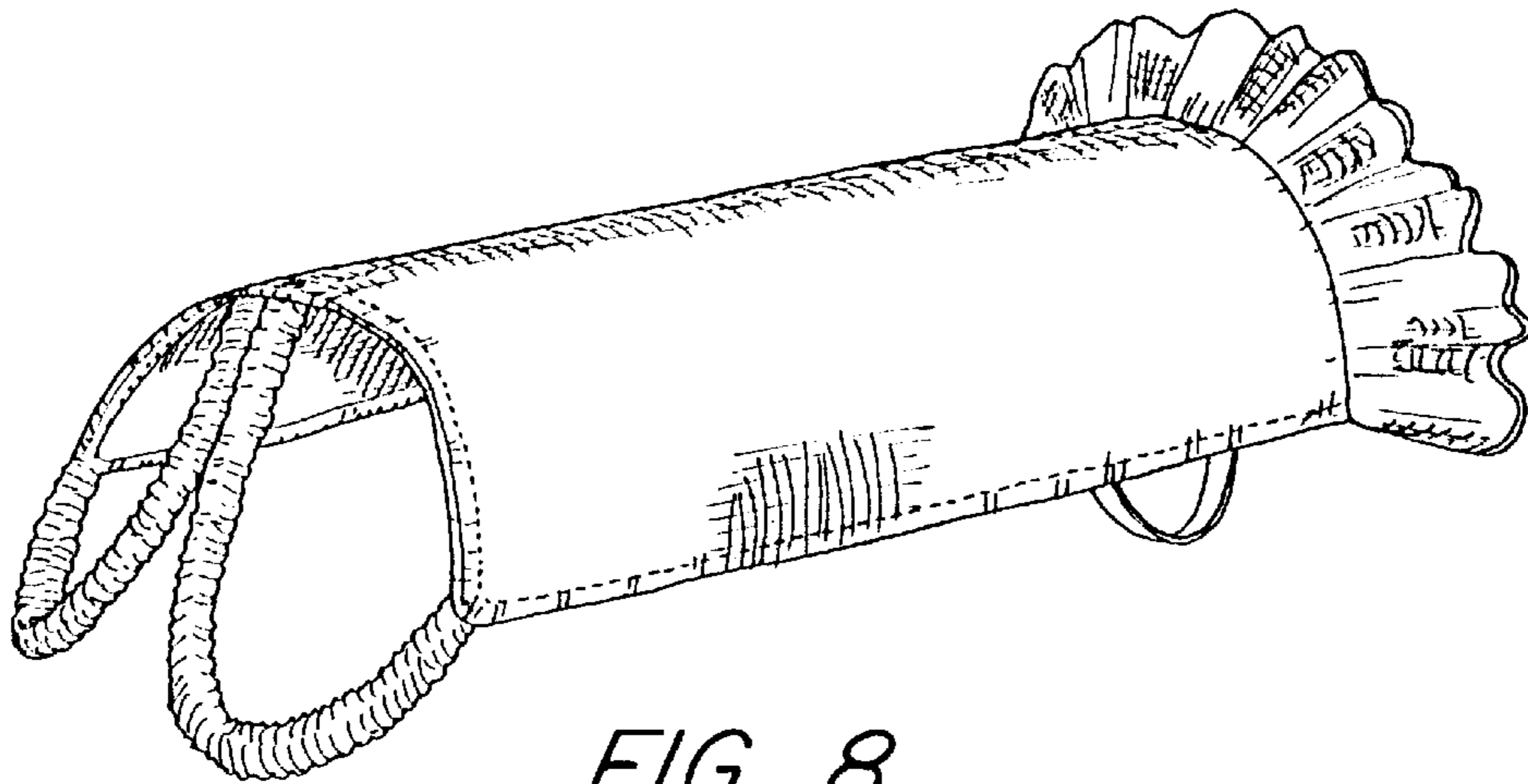


FIG. 8

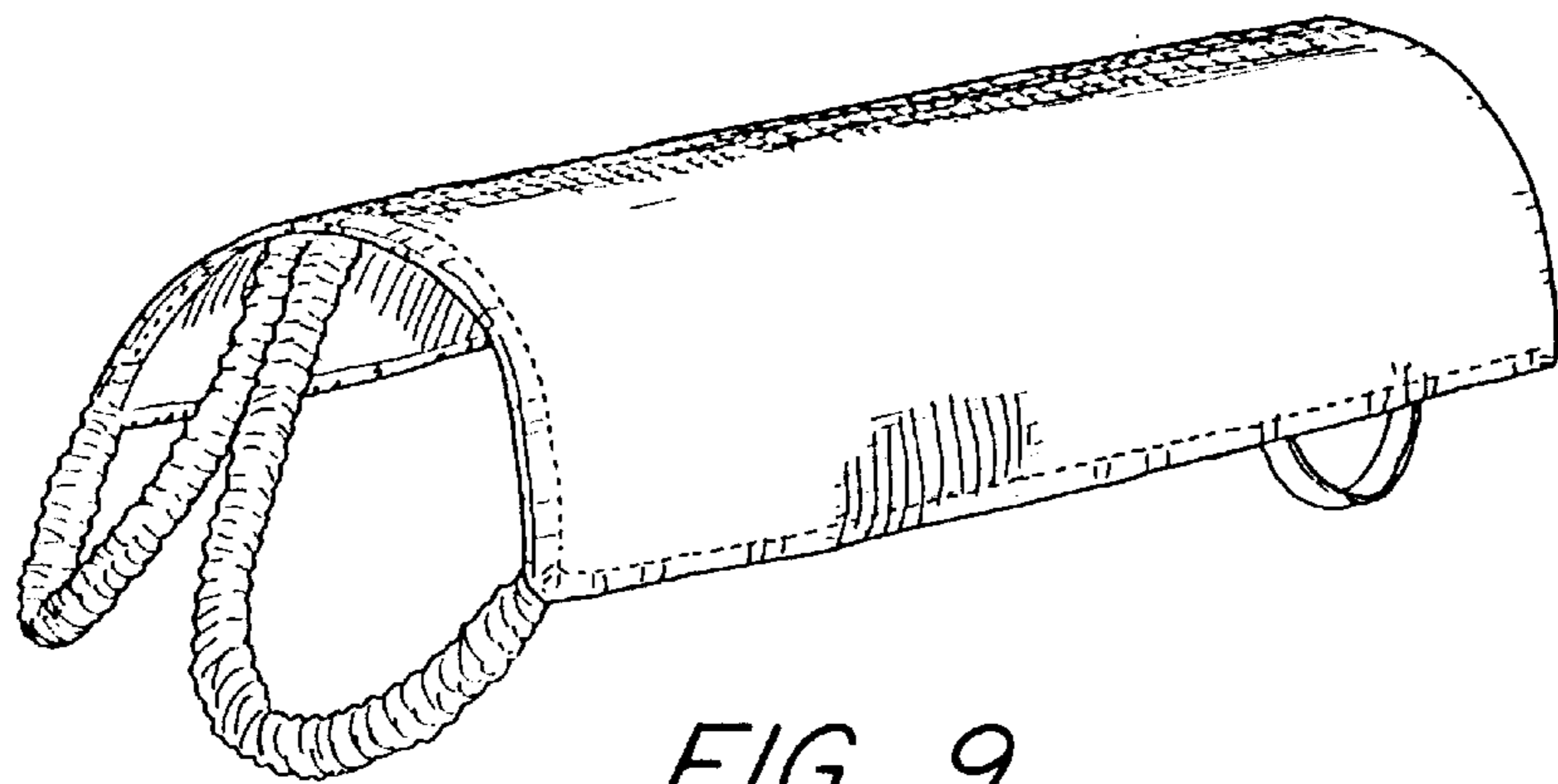


FIG. 9