



US00D404848S

United States Patent [19] Banuchi

[11] **Patent Number: Des. 404,848**

[45] **Date of Patent: **Jan. 26, 1999**

[54] **FACIAL SUN BLOCK MASK**

4,853,974 8/1989 Olim D29/110

[76] Inventor: **Isabel M. Banuchi**, Avenida Domenech
302, Hato Rey, Puerto Rico, 00918

[**] Term: **14 Years**

[21] Appl. No.: **69,262**

[22] Filed: **Mar. 20, 1997**

[51] **LOC (6) Cl. 29-02**

[52] **U.S. Cl. D29/110**

[58] **Field of Search** D29/108, 109,
D29/110, 122; D28/9; 2/9, 11-12, 15, 174,
206, 424; 128/857-858

[56] **References Cited**

U.S. PATENT DOCUMENTS

D. 249,597	9/1978	Dillon	D2/234
D. 306,363	2/1990	Stackhouse et al.	D29/17
D. 361,160	8/1995	Russell	D29/110
D. 374,951	10/1996	Machson	D29/110
D. 375,583	11/1996	Landis et al.	D29/108
2,829,374	4/1958	Malcom, Jr.	2/9

OTHER PUBLICATIONS

Wilson Cat. #57, Mar. 1, 1957, p. 23. "Regular Flare, style V1-64".

Primary Examiner—Ruth McInroy

Attorney, Agent, or Firm—Parkhurst & Wendel, L.L.P

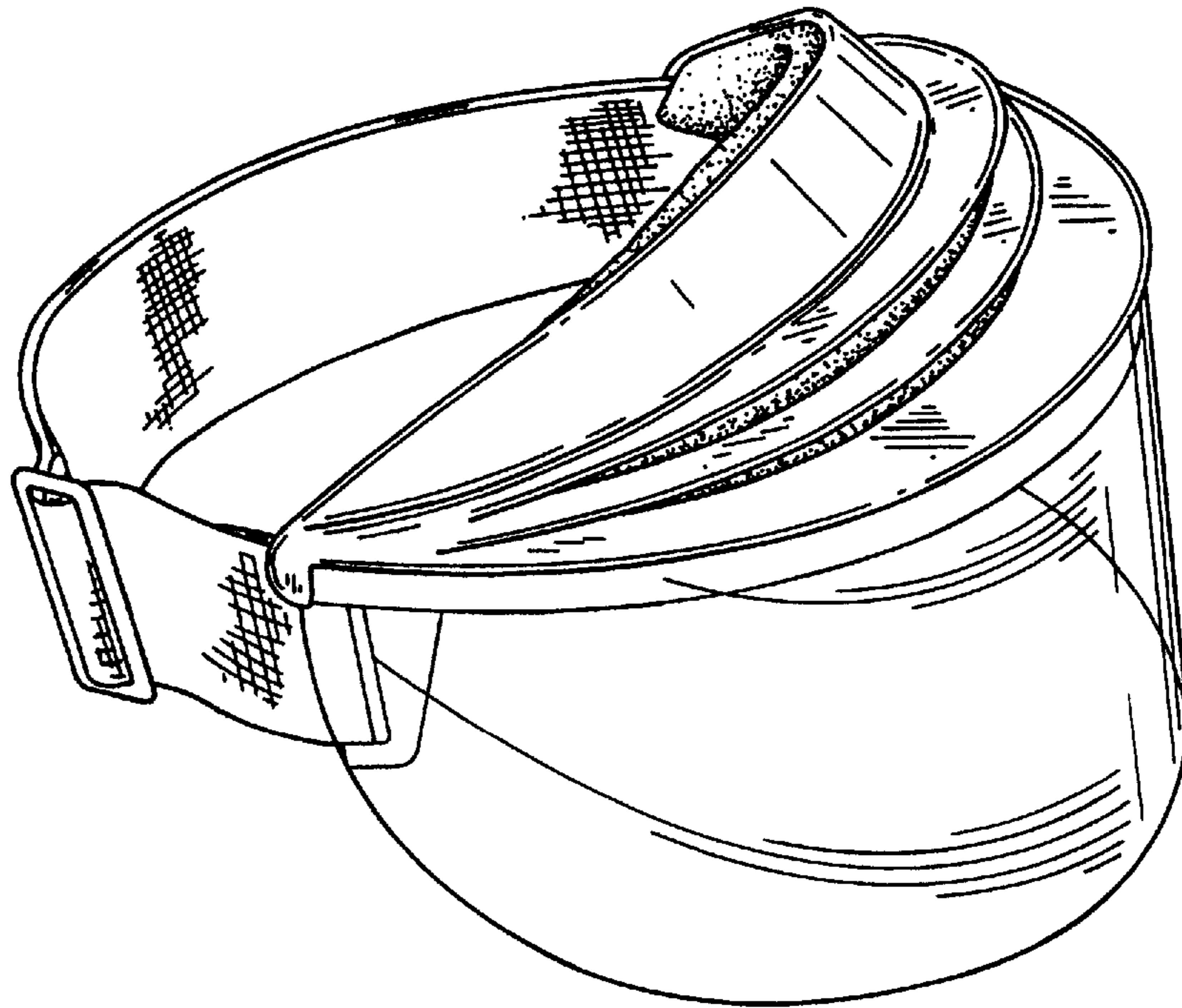
[57] **CLAIM**

The ornamental design for a facial sun block mask, as shown.

DESCRIPTION

FIG. 1 is a perspective view of a facial sun block mask showing my new design;
FIG. 2 is a left side elevational view thereof;
FIG. 3 is a right side elevational view thereof;
FIG. 4 is a front elevational view thereof;
FIG. 5 is a rear elevational view thereof;
FIG. 6 is a top plan view thereof; and,
FIG. 7 is a bottom plan view thereof.

1 Claim, 4 Drawing Sheets



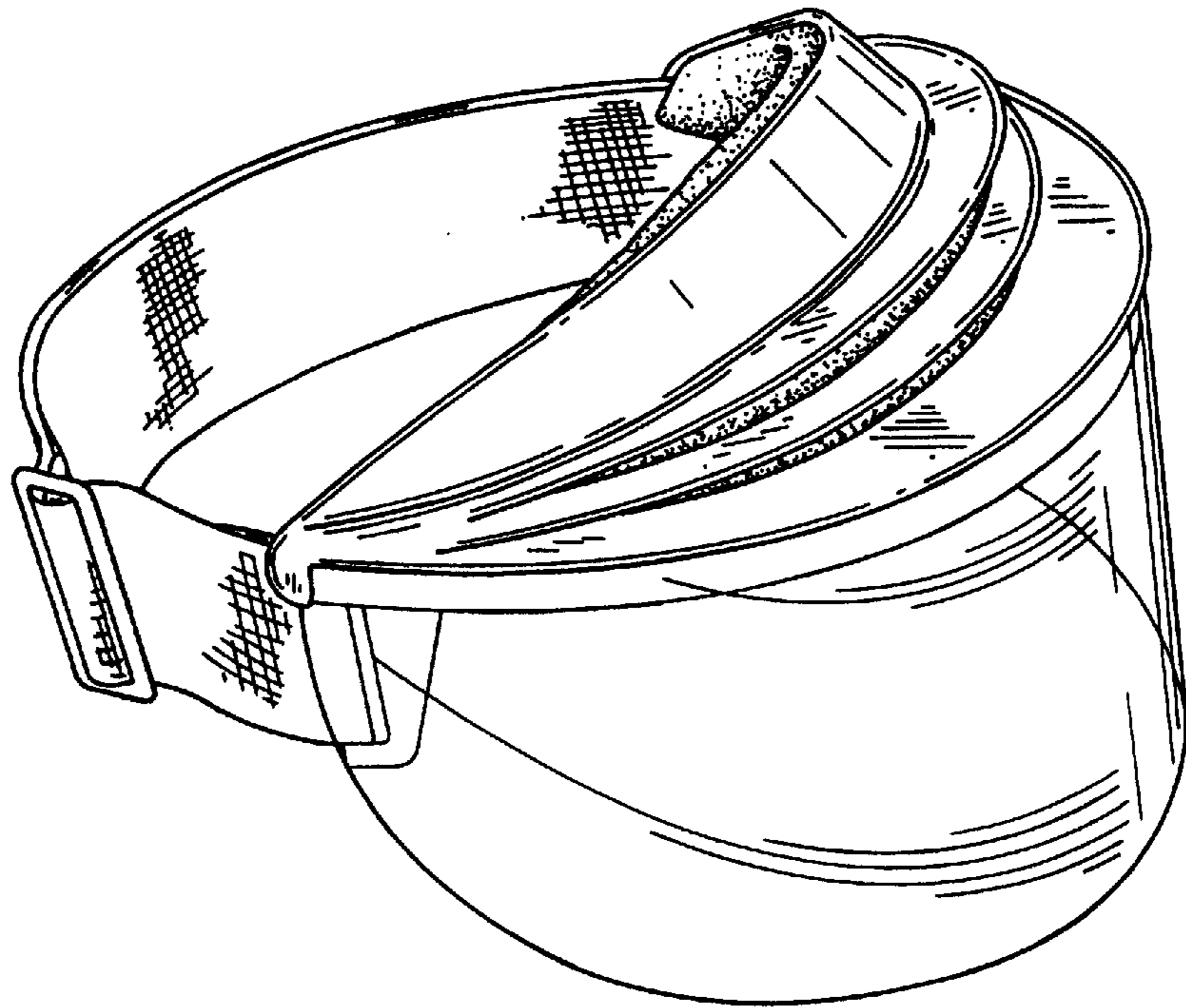


FIG. 1

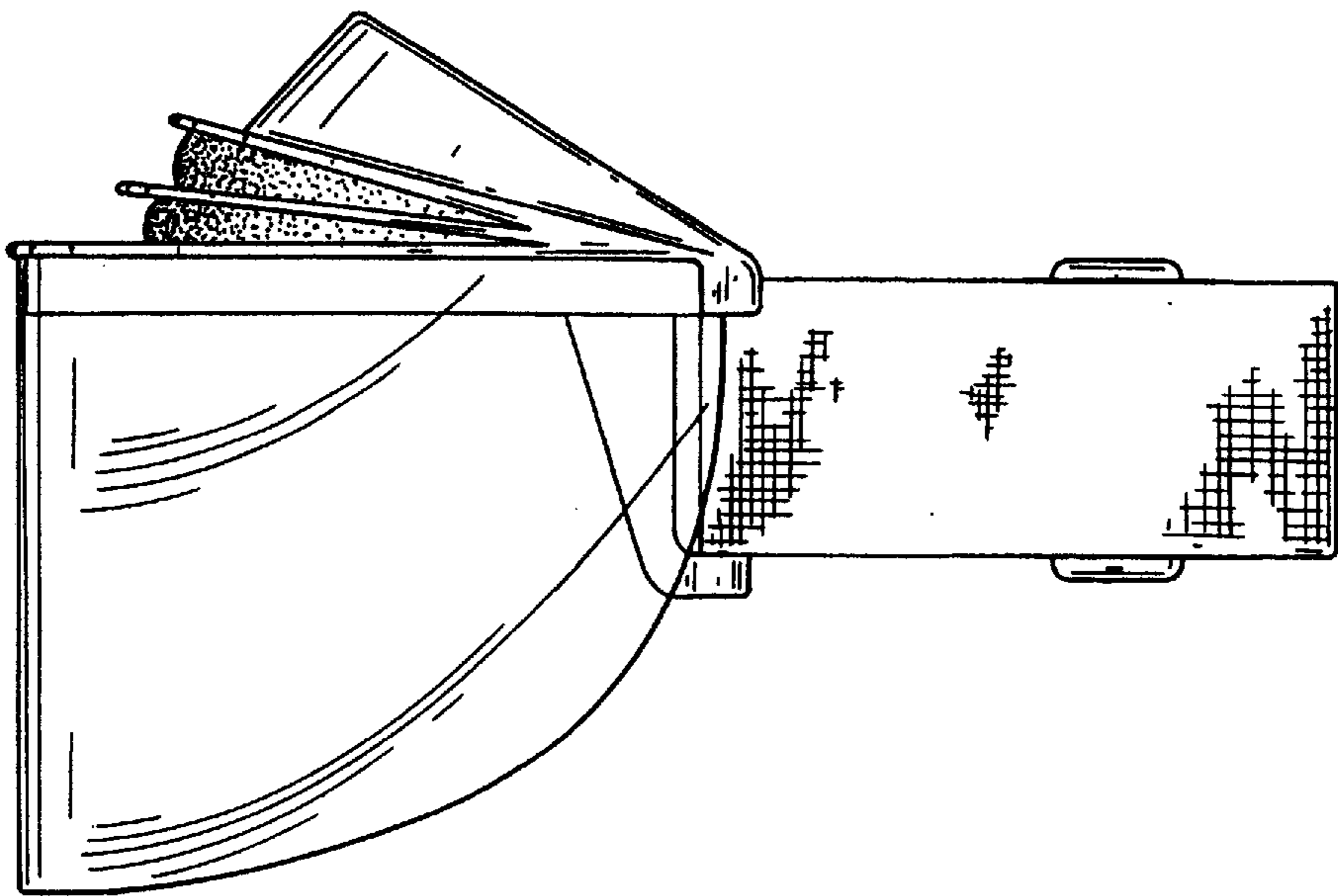


FIG. 2

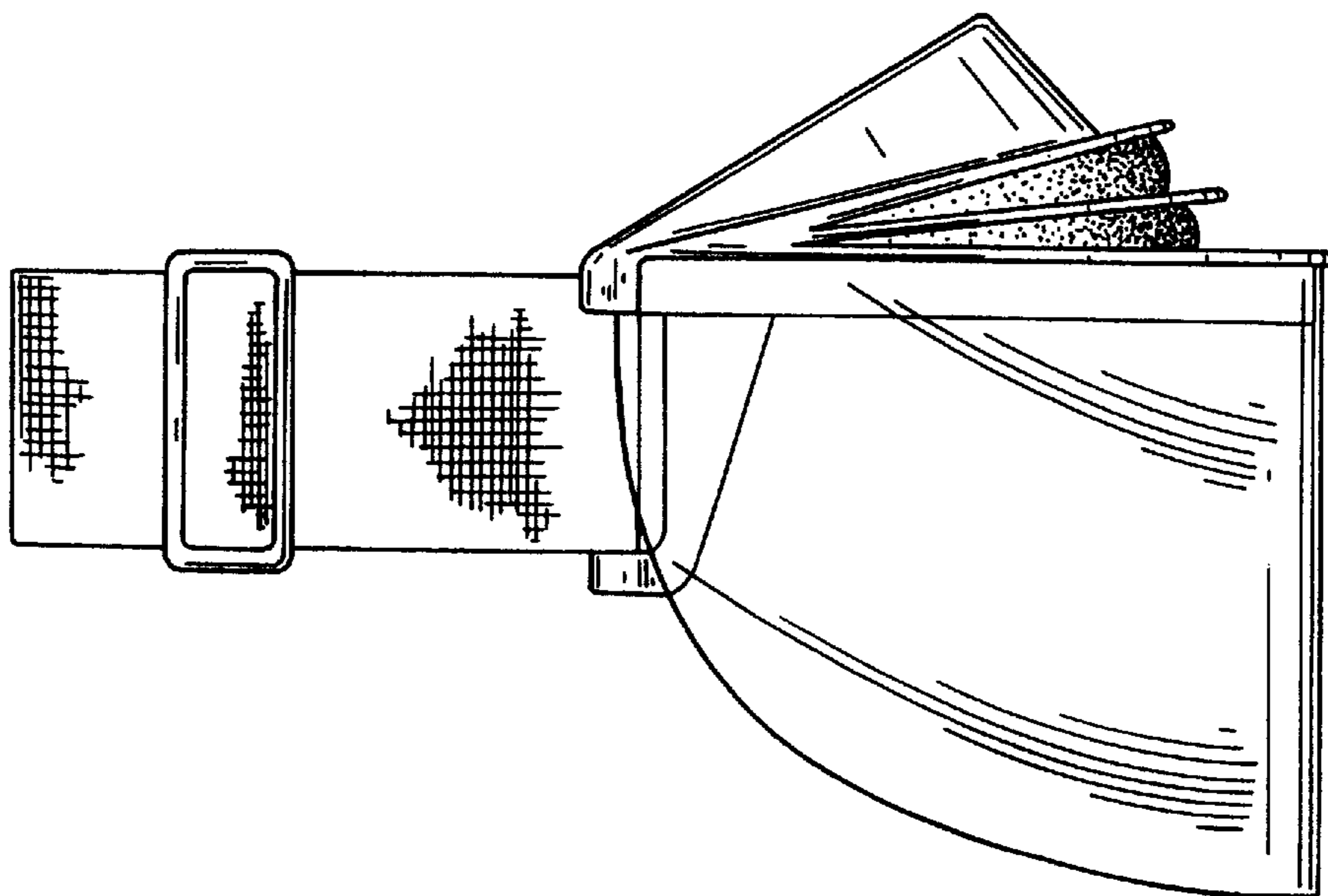


FIG. 3

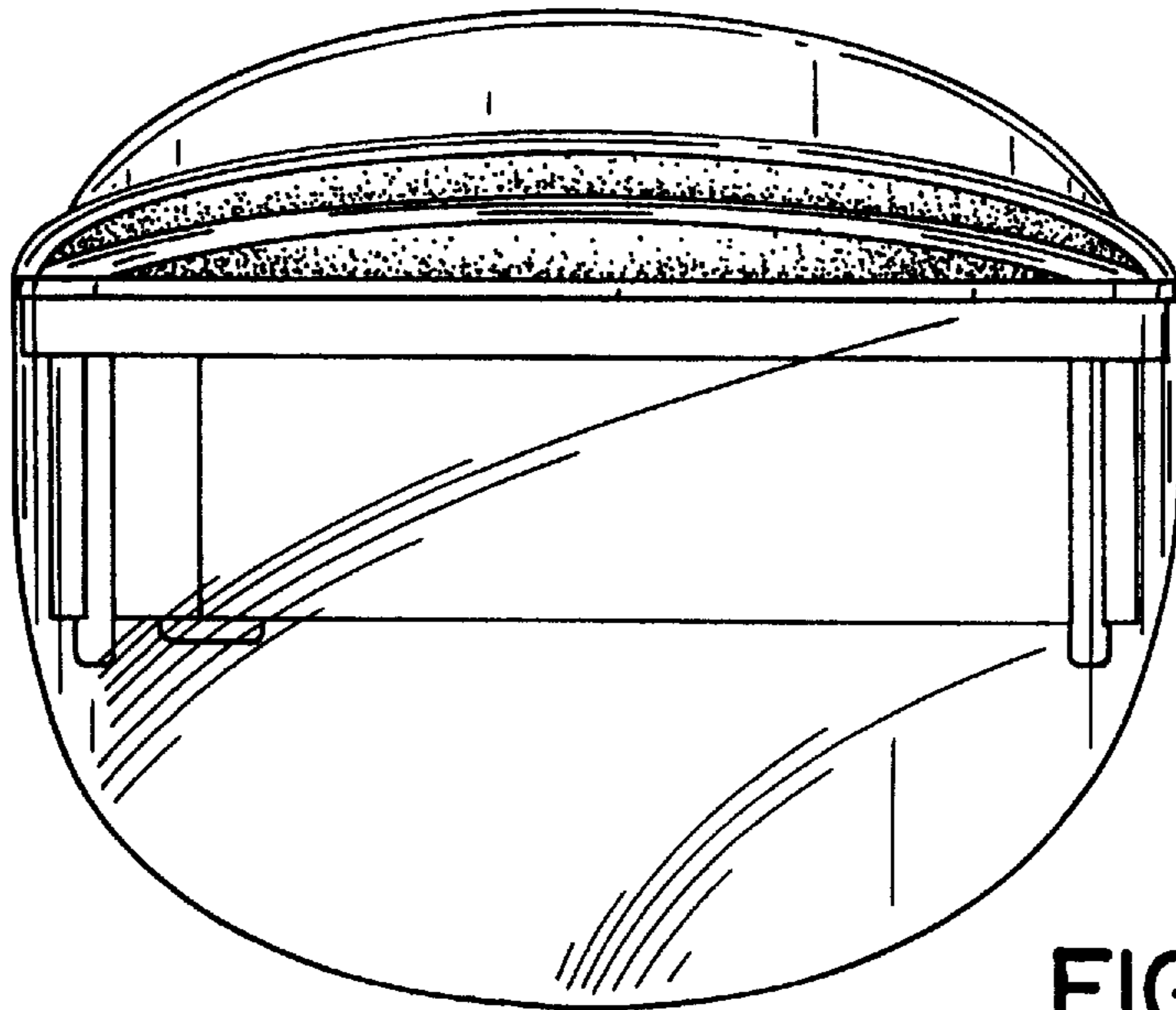


FIG. 4

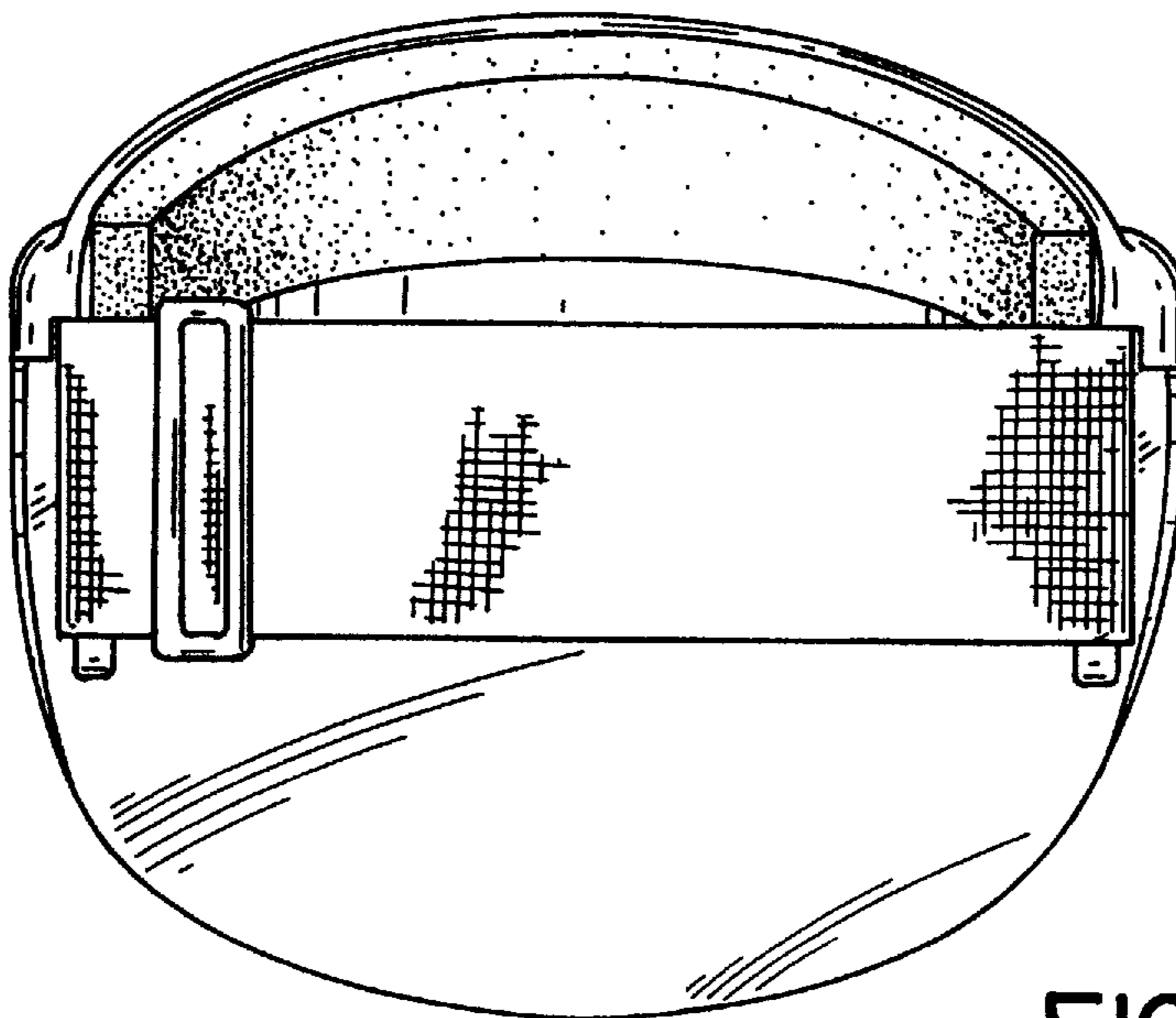


FIG. 5

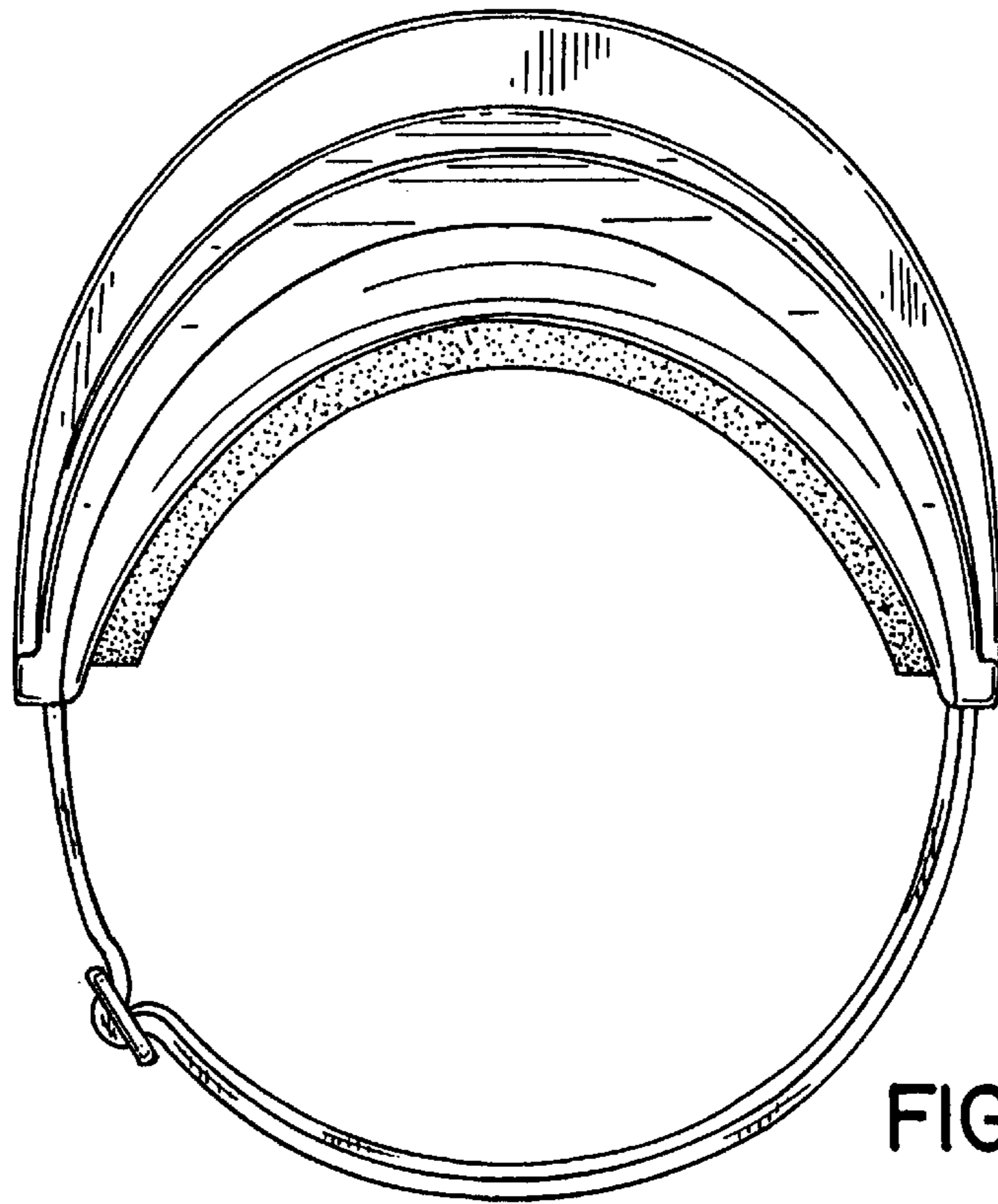


FIG. 6

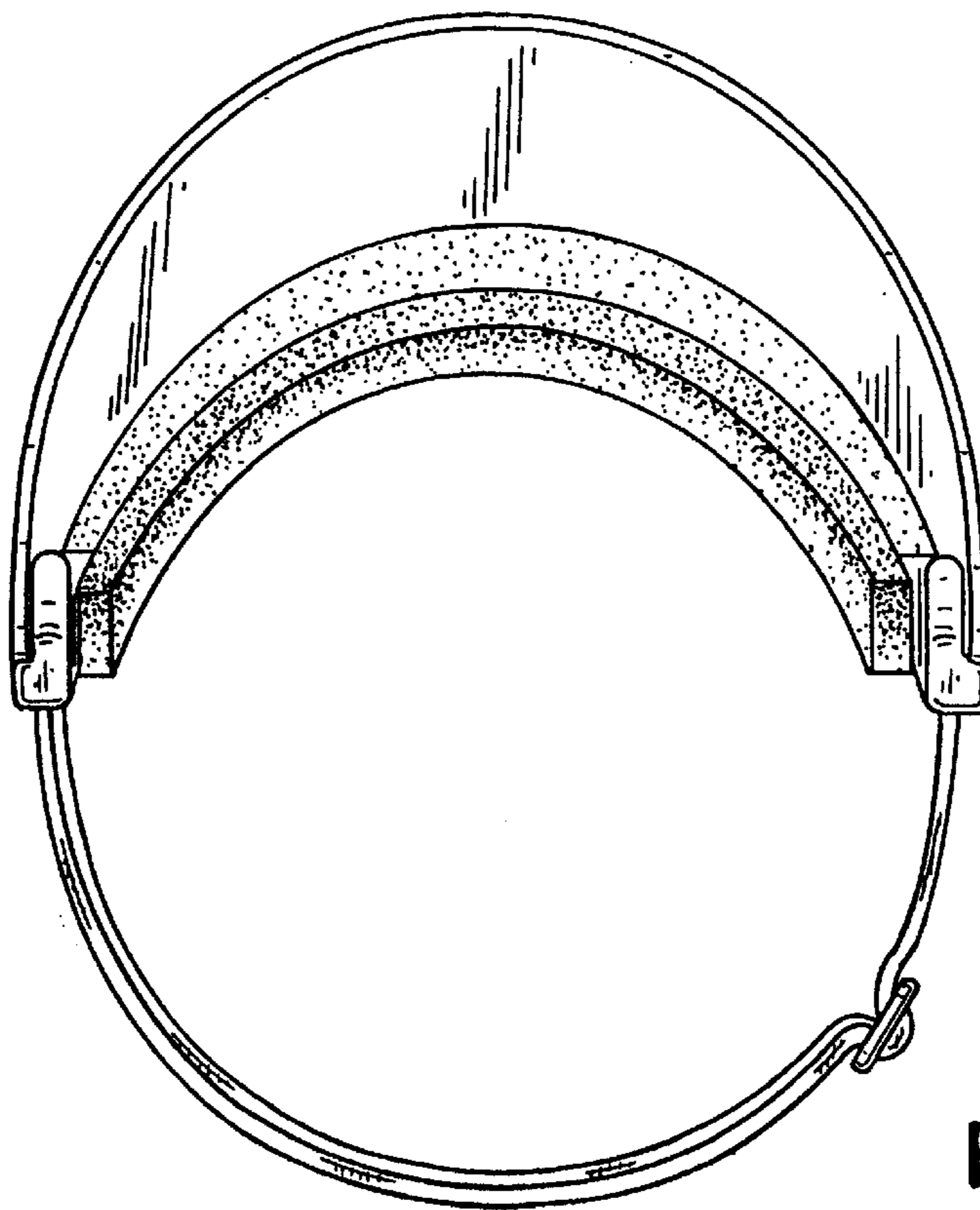


FIG. 7