



US00D404846S

# United States Patent [19] Day

[11] **Patent Number: Des. 404,846**

[45] **Date of Patent: \*\*Jan. 26, 1999**

[54] **TURKEY HUNTER'S HAT**

[76] **Inventor: Wesley D. Day, 10611 Chantel La., Stockton, Calif. 95212**

[\*\*] **Term: 14 Years**

[21] **Appl. No.: 81,409**

[22] **Filed: Dec. 31, 1997**

[51] **LOC (6) Cl. .... 29-03**

[52] **U.S. Cl. .... D29/106**

[58] **Field of Search .... D29/102-107, D29/109-110, 122; 2/411-412, 414-415, 421, 423-425, 9, 205-206, 4; D2/878-879, 882-883**

[56] **References Cited**

**U.S. PATENT DOCUMENTS**

D. 141,255	5/1945	Dannenberg	.....	D29/105
D. 189,233	11/1960	Gardner et al.	.....	D29/105
D. 331,297	11/1992	Herod	.....	D29/106
D. 334,830	4/1993	Siegel	.....	D2/245
D. 366,347	1/1996	Avey	.....	D29/106
D. 367,549	2/1996	Deziel	.....	D29/106
2,686,317	8/1954	Michaelis .		
2,839,757	6/1958	Gianola .		
4,091,469	5/1978	Davidson	.....	2/410

4,180,868	1/1980	Snow	.....	2/203
4,329,742	5/1982	Schuessler	.....	2/424
4,593,417	6/1986	Brown, Jr. et al.	.....	2/209.1
5,251,336	10/1993	Nevins	.....	2/202

*Primary Examiner—Ruth McInroy  
Attorney, Agent, or Firm—Basil Travis*

[57] **CLAIM**

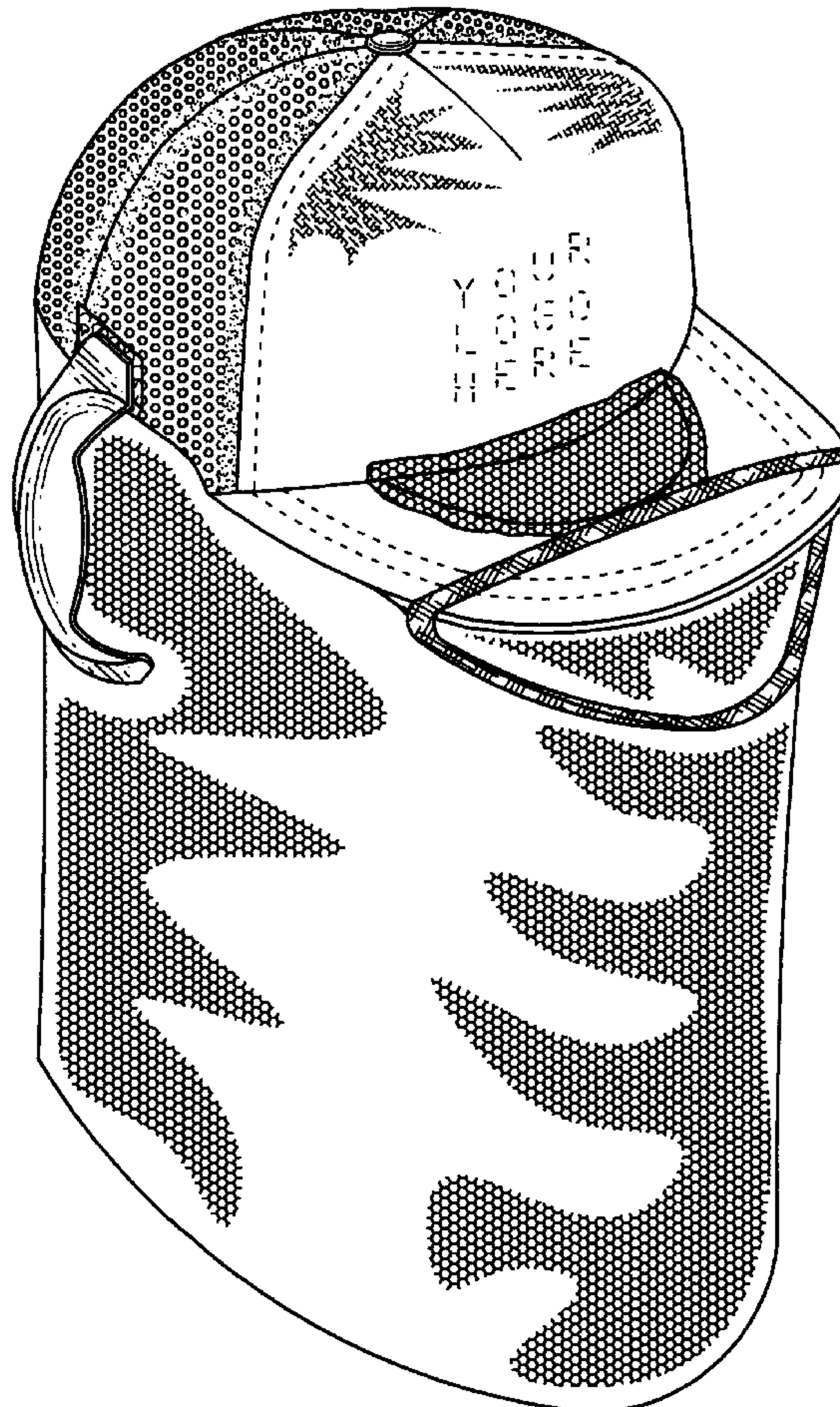
The ornamental design for a turkey hunter's hat, as shown and described.

**DESCRIPTION**

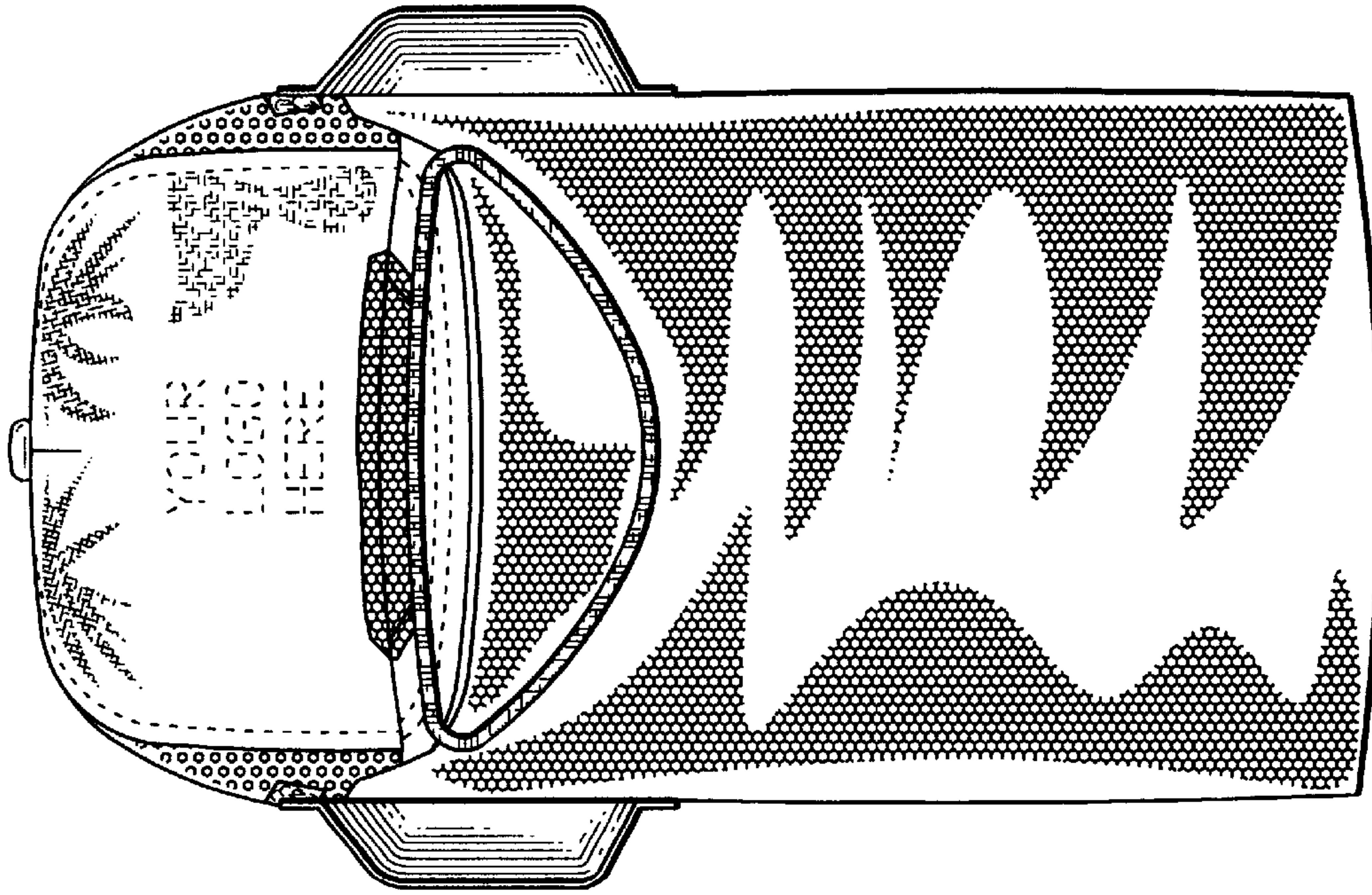
FIG. 1 is a top, front and side perspective view of a turkey hunter's hat showing my new design;  
FIG. 2 is a front elevational view;  
FIG. 3 is a side elevational view, the opposite side being a mirror image thereof;  
FIG. 4 is a rear elevational view;  
FIG. 5 is a top plan view; and,  
FIG. 6 is a bottom plan view.

The indicia shown in broken lines on the cap in FIGS. 1 and 2 is for illustrative purposes only and forms no part of the claimed design. The rest of the broken lines on the cap represent conventional stitching. The surface pattern on the hat is understood to repeat throughout the indicated area.

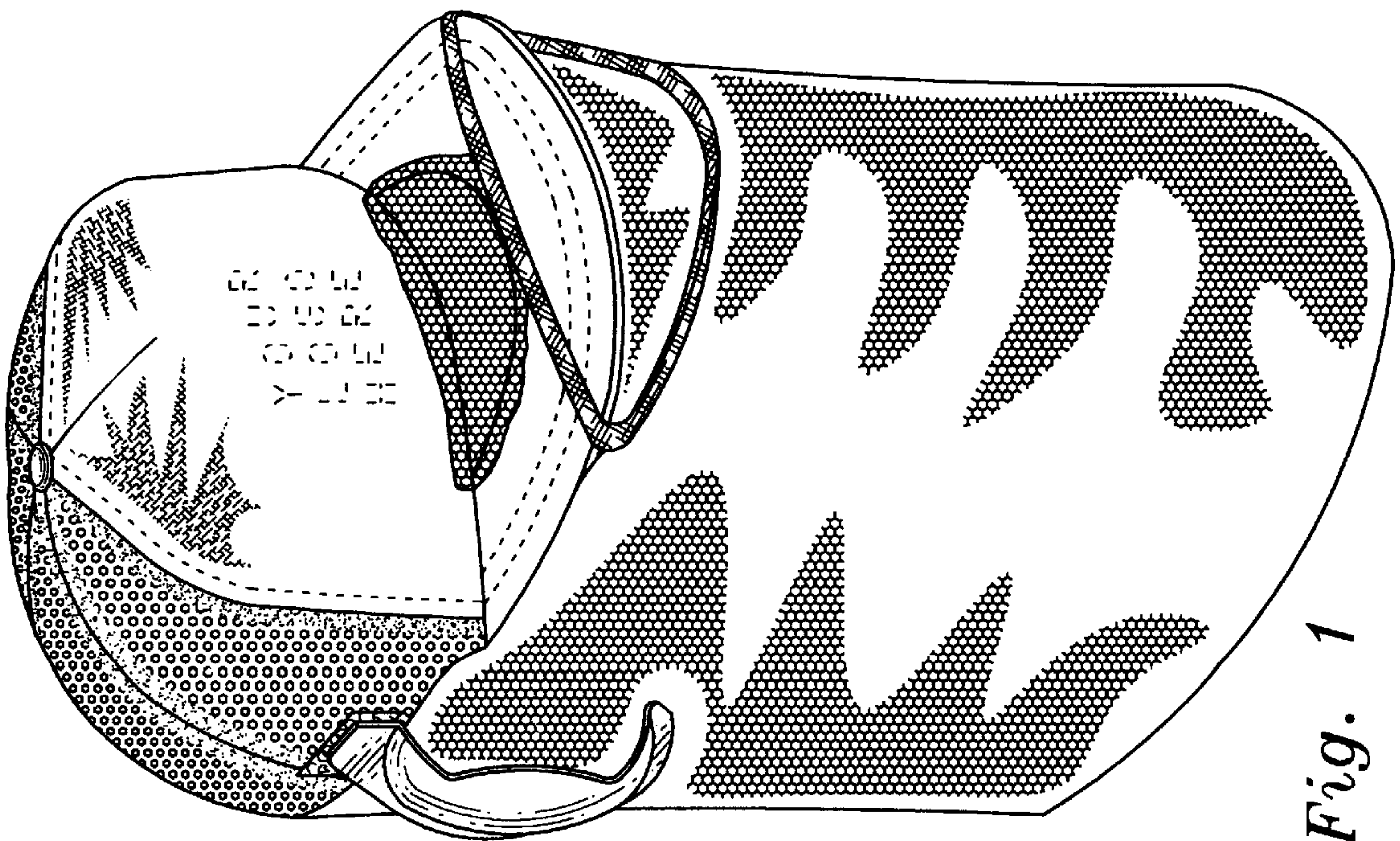
**1 Claim, 3 Drawing Sheets**





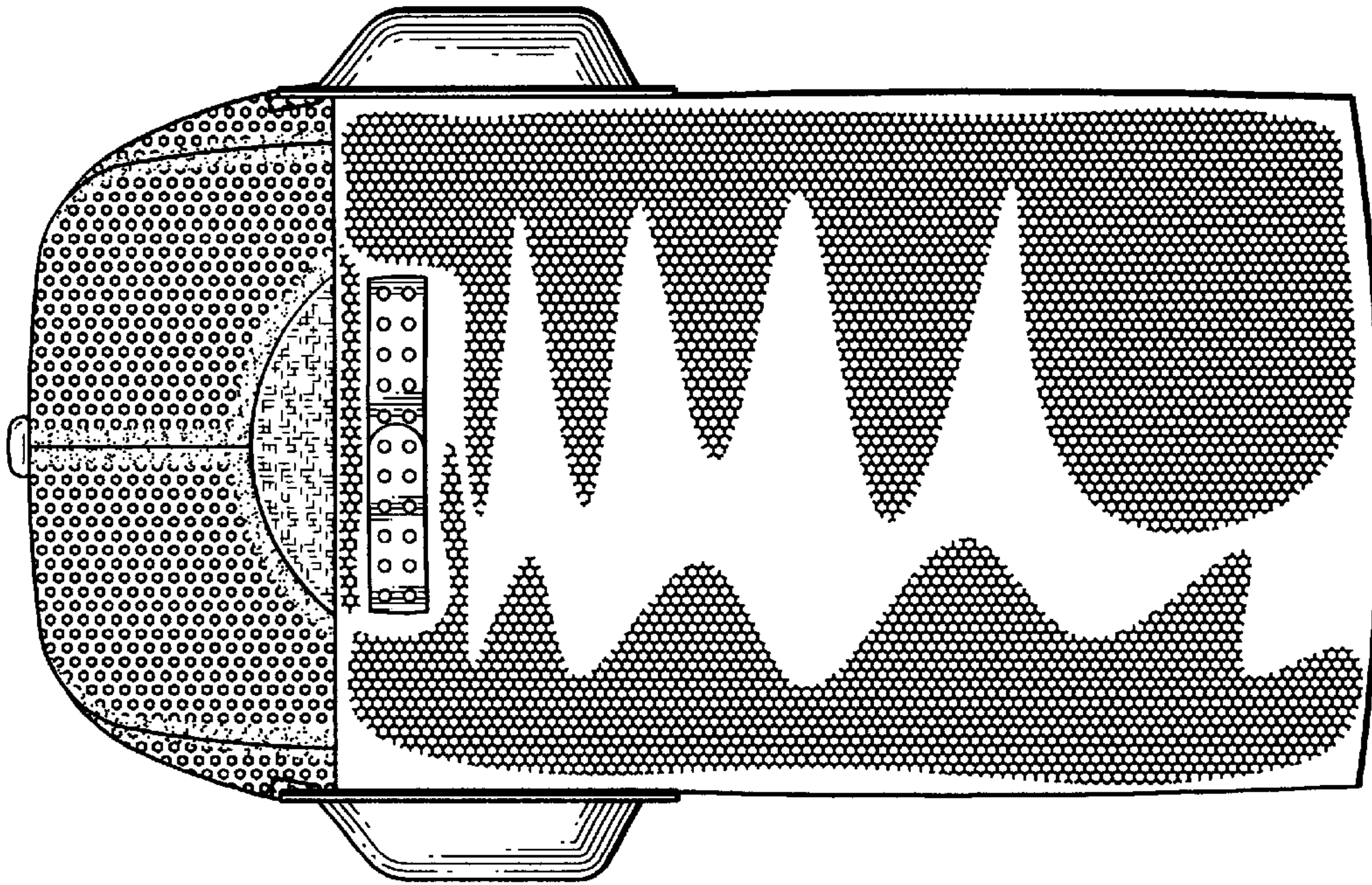


*Fig. 2*

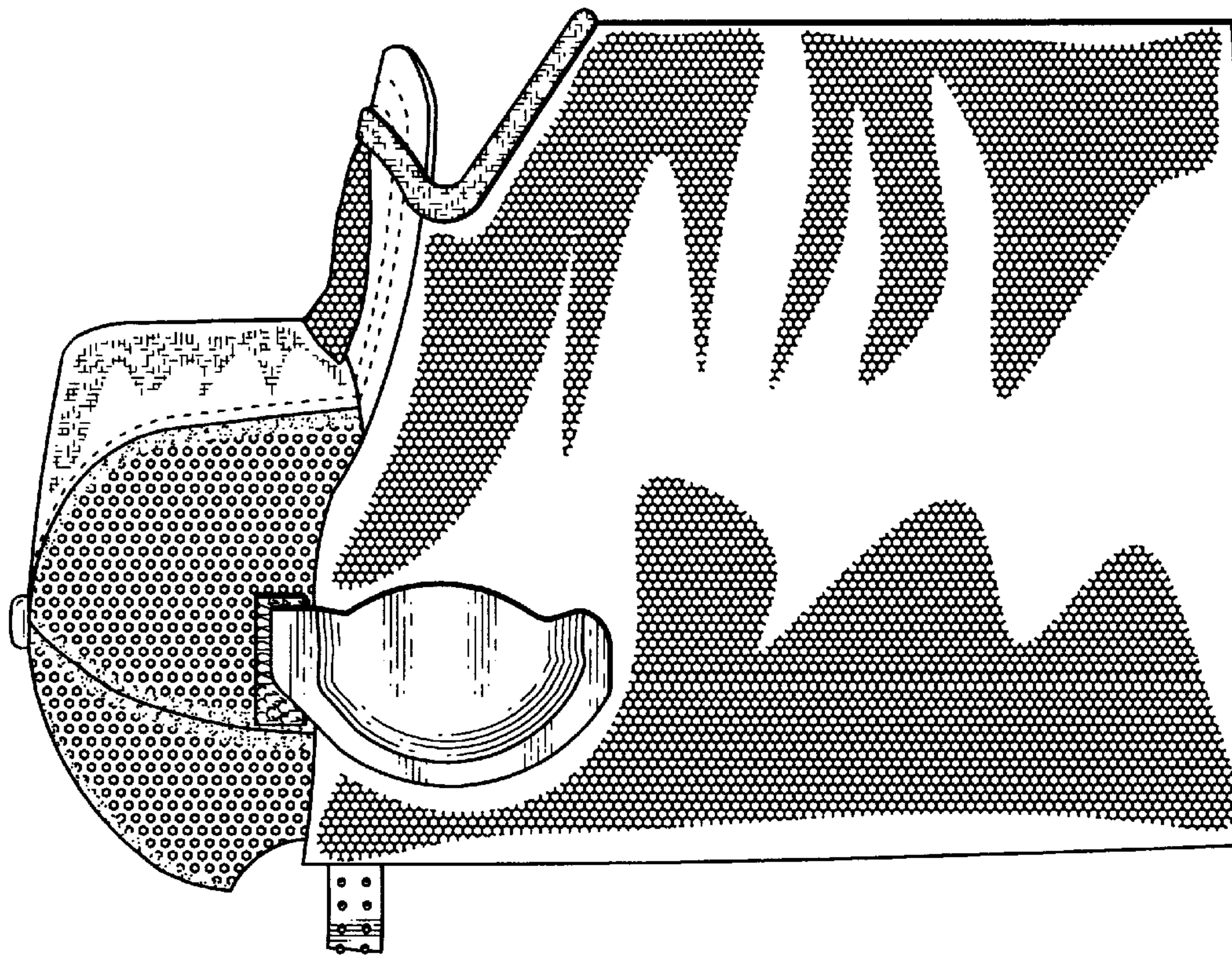


*Fig. 1*



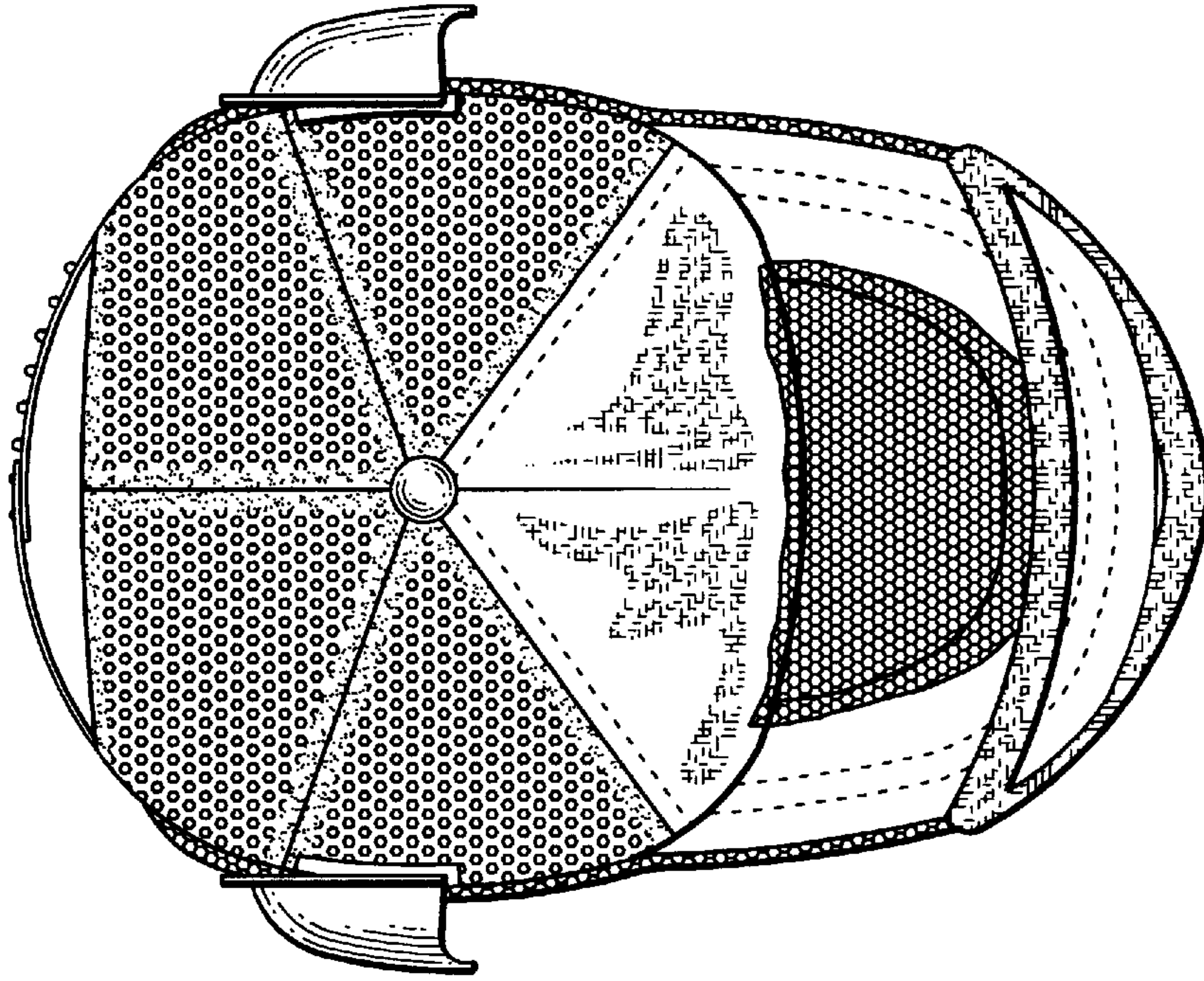


*Fig. 4*

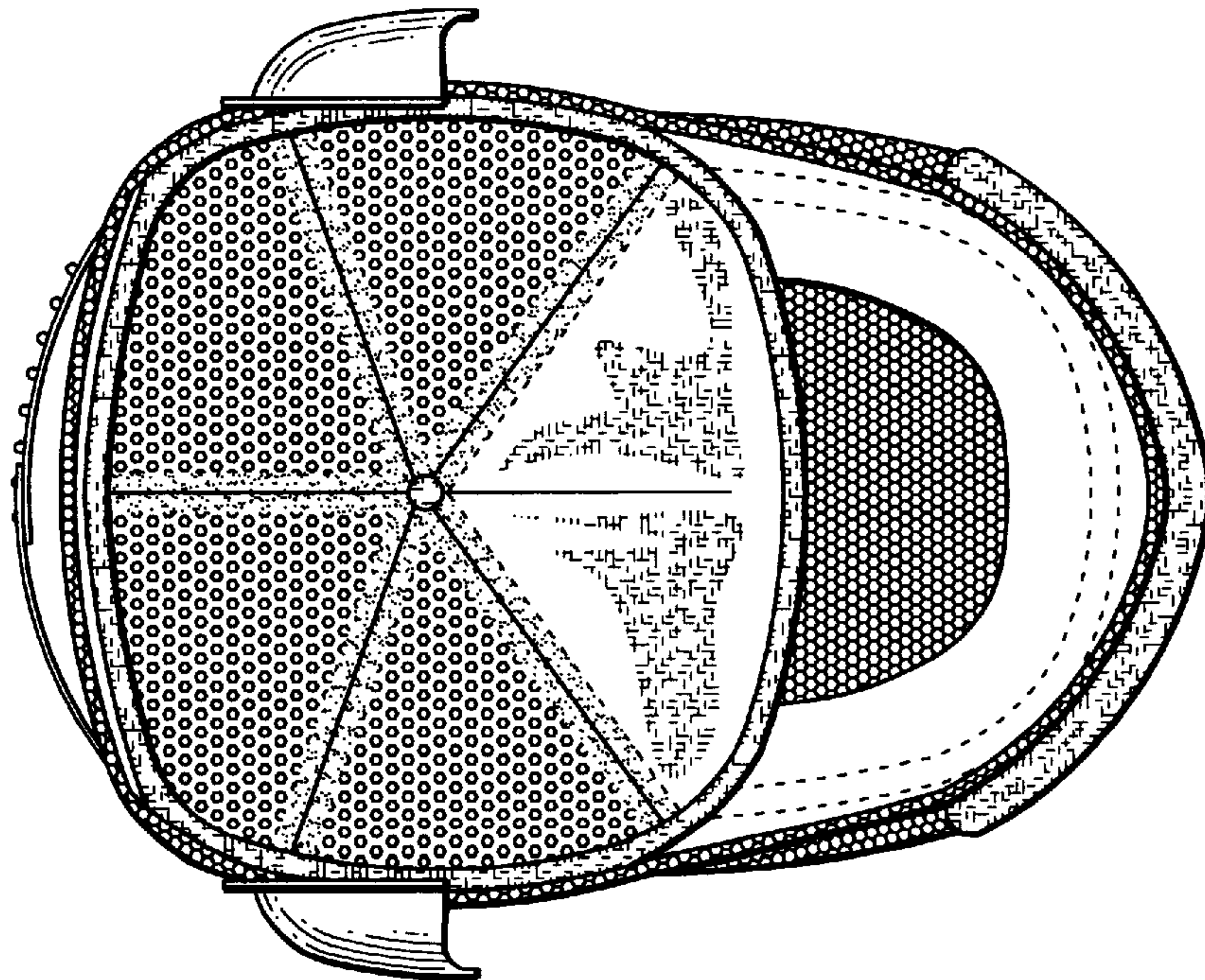


*Fig. 3*





*Fig. 5*



*Fig. 6*