



US00D404842S

United States Patent [19] Hurst

[11] Patent Number: Des. 404,842

[45] Date of Patent: **Jan. 26, 1999

[54] SOLAR POWERED LIGHTING FIXTURE

[75] Inventor: Alan Hurst, Stuart, Fla.

[73] Assignee: Solar Outdoor Lighting, Incorporated, Stuart, Fla.

[**] Term: 14 Years

[21] Appl. No.: 79,754

[22] Filed: Nov. 10, 1997

[51] LOC (6) Cl. 26-05

[52] U.S. Cl. D26/68; D26/69

[58] Field of Search D26/67-70; 362/183, 362/431

[56] References Cited

U.S. PATENT DOCUMENTS

D. 353,014	11/1994	Elazari	D26/68
D. 377,230	1/1997	Parris	D26/69
4,977,488	12/1990	Spotts et al.	362/183
5,217,296	6/1993	Tanner et al.	362/183

OTHER PUBLICATIONS

Chronar Sunergy Site and Sign lighting catalog, p. 3, "Patio-lite", lighting fixture, top right, 1988.

Hadco Lighting catalog, p. 61, yard light, #L-4501-HC, 1983.

Trimblehouse lighting catalog, p. 3, conesphere exterior lighting fixture, Jan. 1985.

Primary Examiner—Susan J. Lucas

Attorney, Agent, or Firm—Gifford, Krass, Groh, Sprinkle, Patmore, Anderson & Citkowski,P.C.

[57] CLAIM

I claim the ornamental design for a solar powered lighting fixture, as shown and described.

DESCRIPTION

FIG. 1 is a perspective view of the solar powered lighting fixture, embodying my new design, it being understood that the support bracket and lamps shown is phantom outline in this and other Figures are optional members, not forming part of the design;

FIG. 2 is a front, elevational view of the lighting fixture in FIG. 1, it being understood that the rear elevational view is identical;

FIG. 3 is a right side elevational view of the fixture of FIG. 1;

FIG. 4 is a left side elevational view of the fixture of FIG. 1;

FIG. 5 is a top, plan view of the fixture of FIG. 1;

FIG. 6 is a bottom, plan view of the fixture of FIG. 1;

FIG. 7 is a perspective view of another embodiment of solar powered lighting fixture;

FIG. 8 is a front, elevational view of the lighting fixture of FIG. 7, it being understood that the rear elevational view is identical;

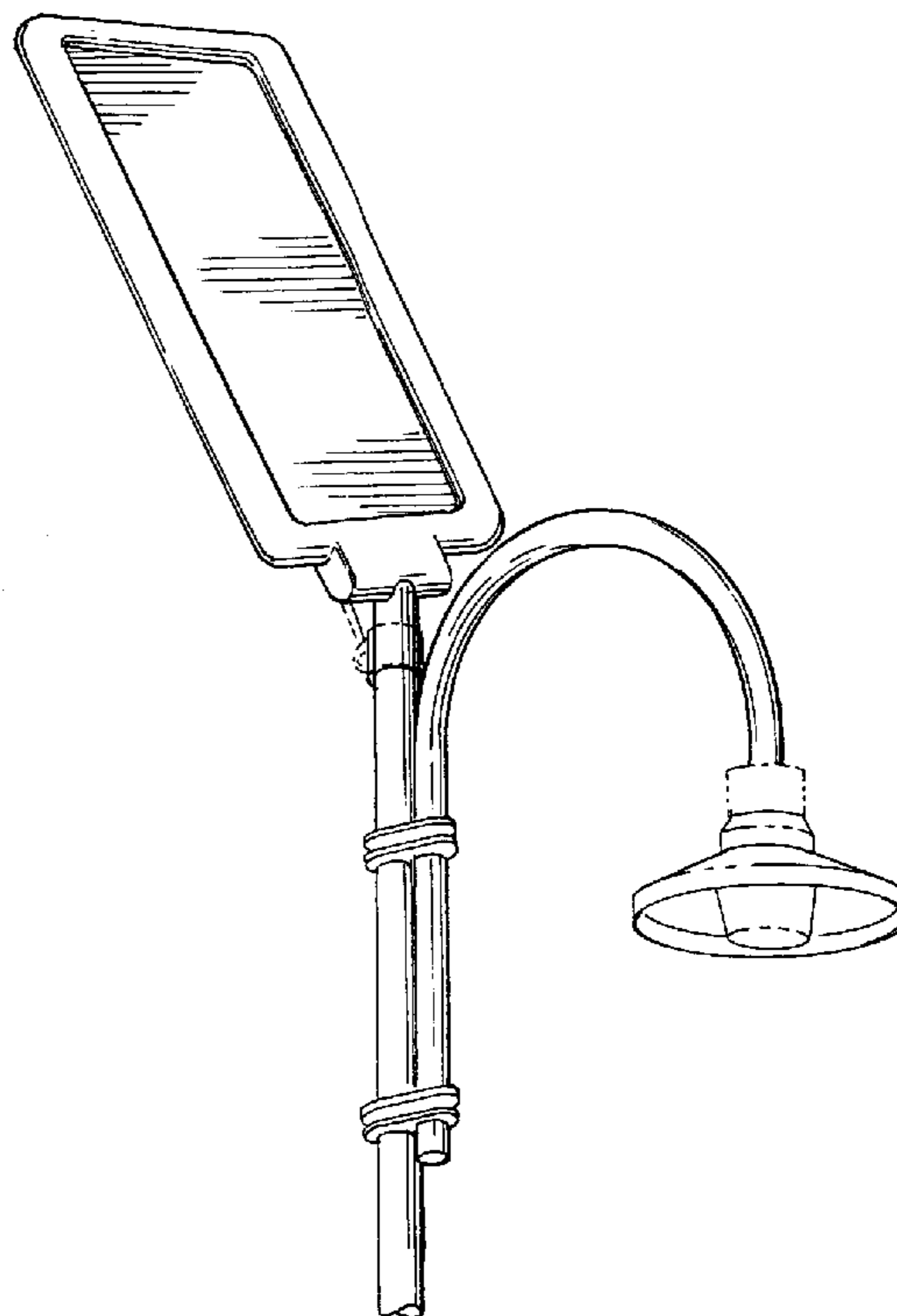
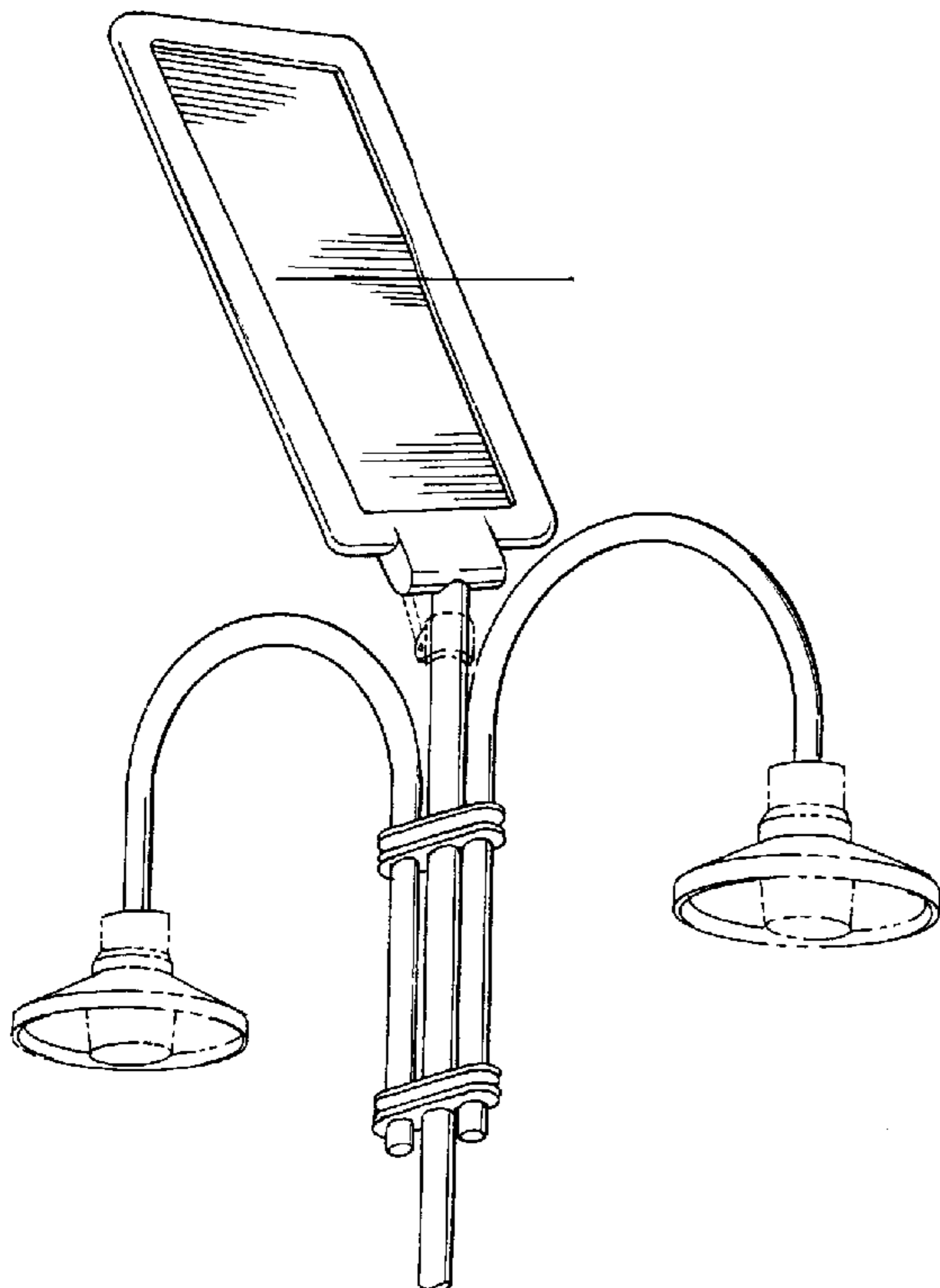
FIG. 9 is a right side elevational view of the fixture of FIG. 7;

FIG. 10 is a left side elevational view of the fixture of FIG. 7;

FIG. 11 is a top, plan view of the fixture of FIG. 7; and,

FIG. 12 is a bottom, plan view of the fixture of FIG. 7.

1 Claim, 6 Drawing Sheets



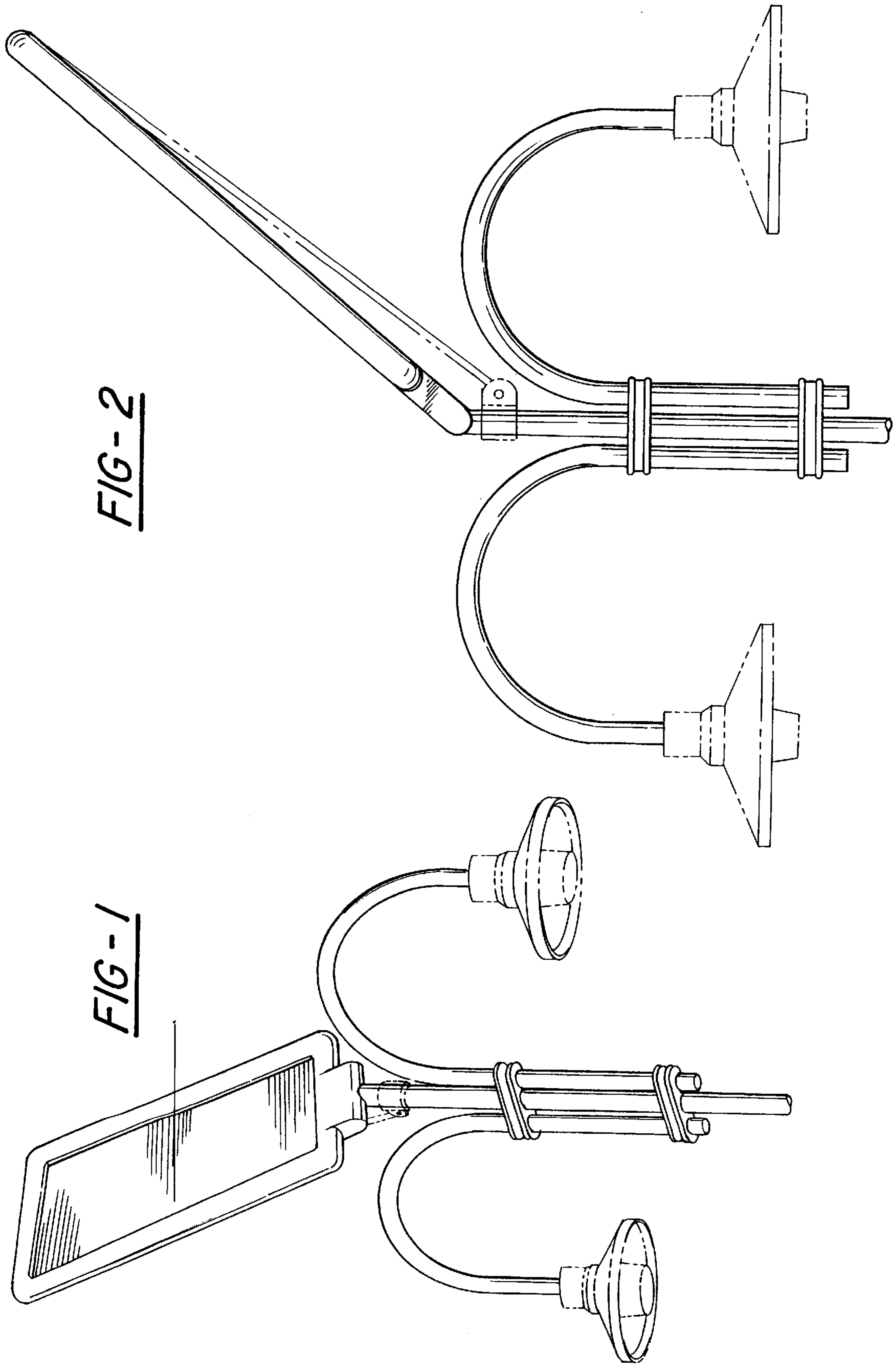


FIG-2

FIG-1

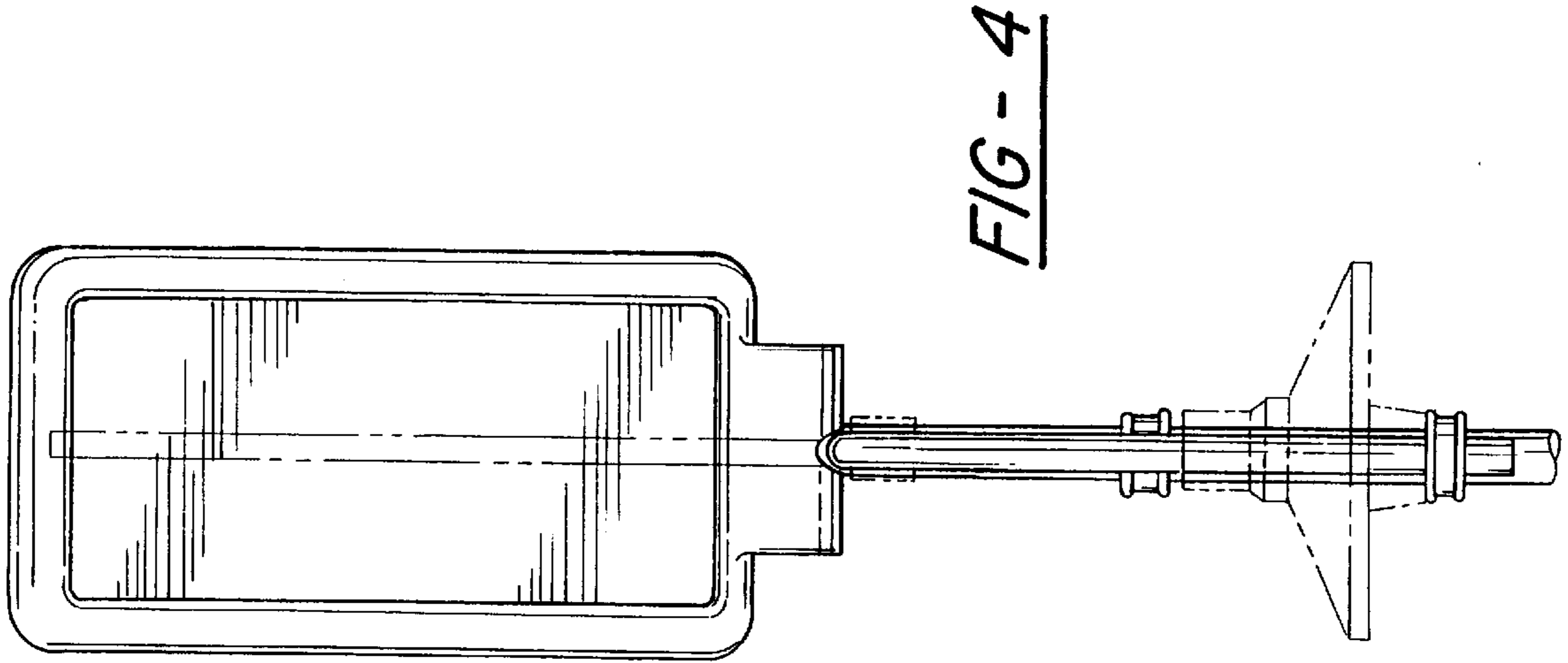


FIG - 4

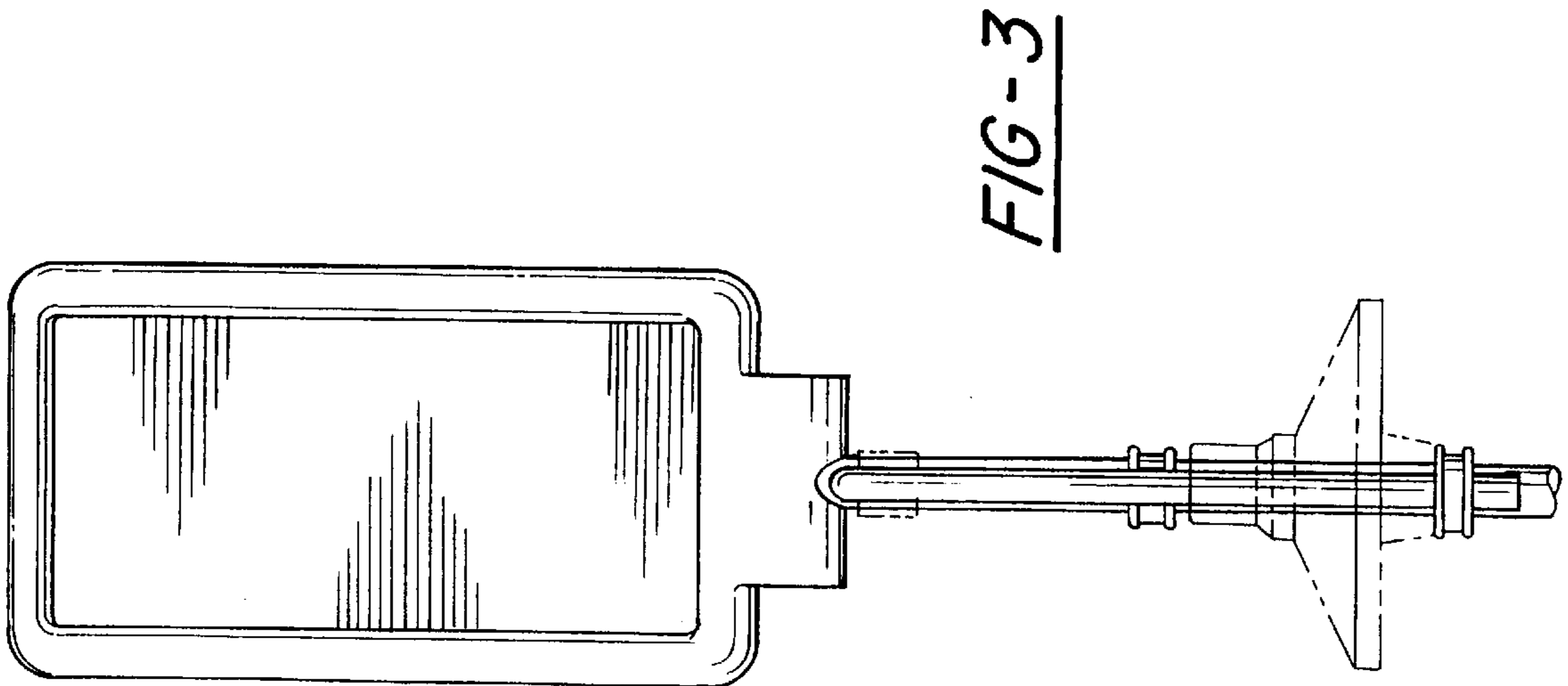


FIG - 3

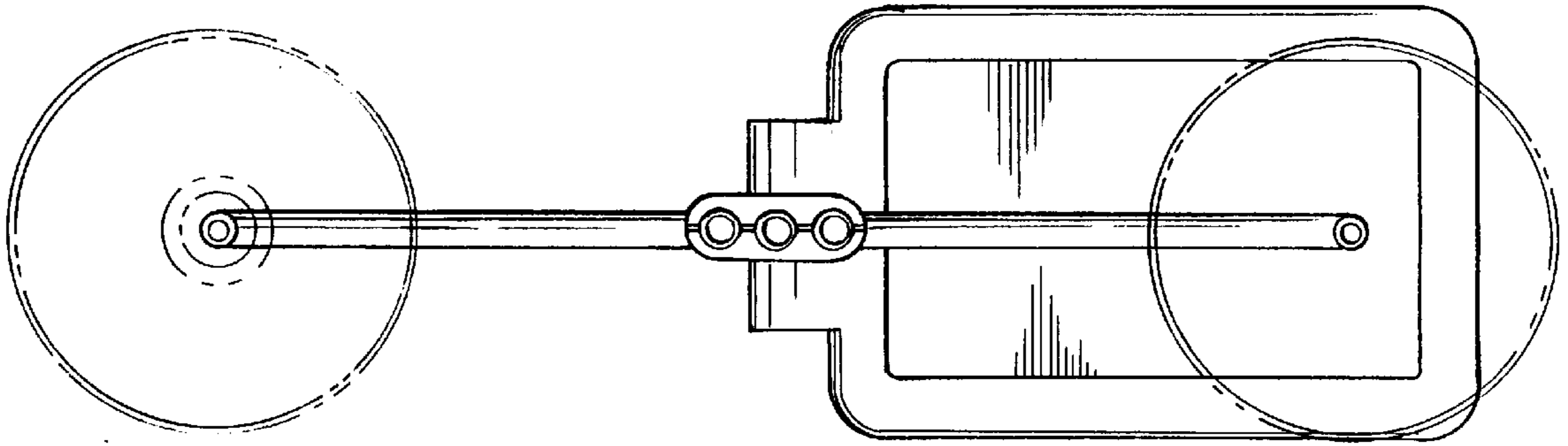


FIG-6

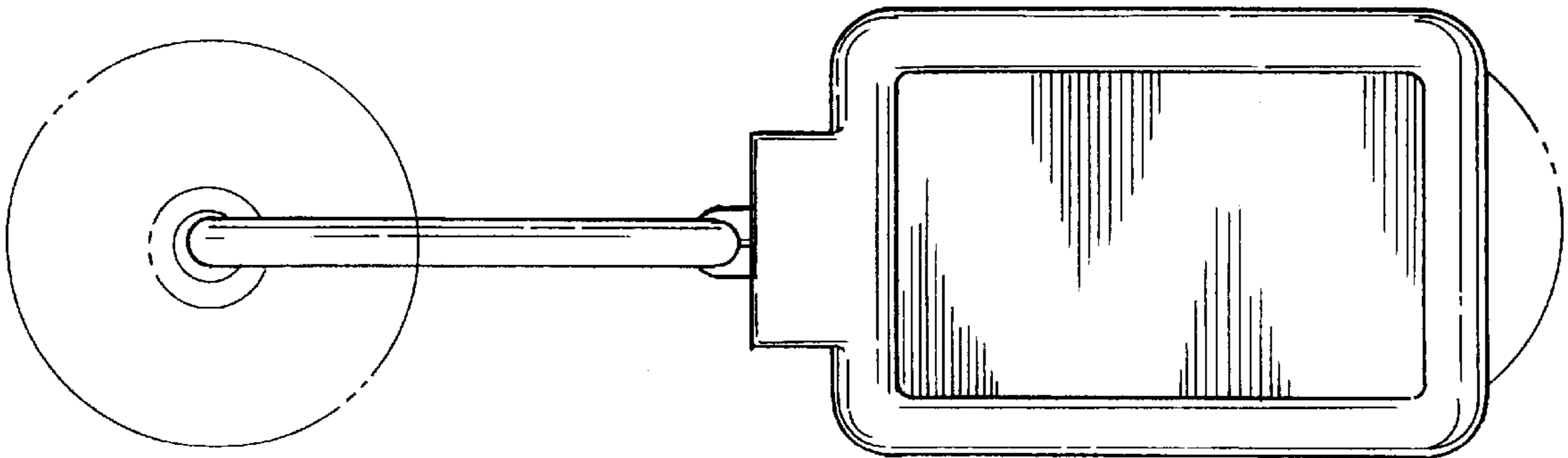


FIG-5

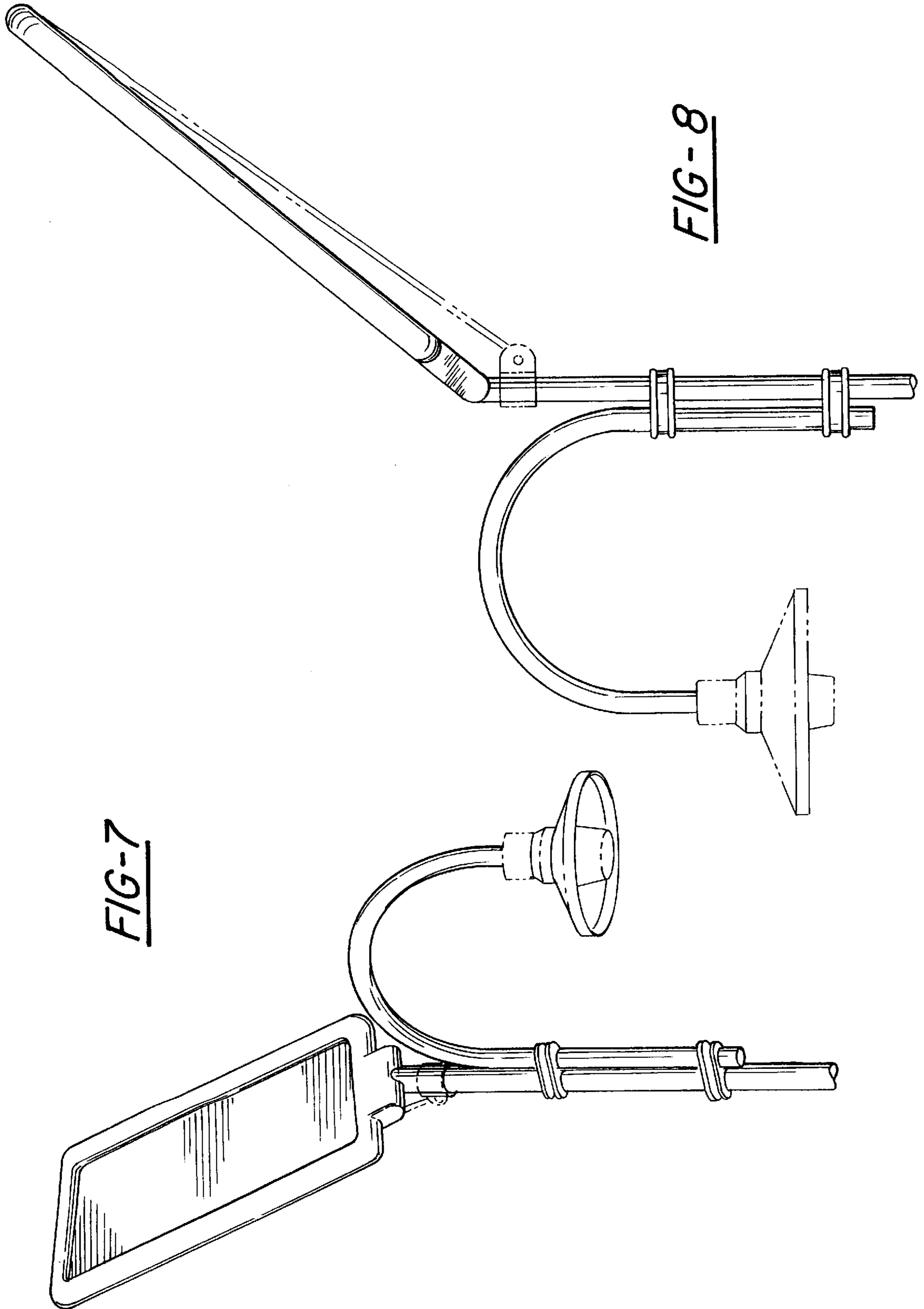


FIG-7

FIG-8

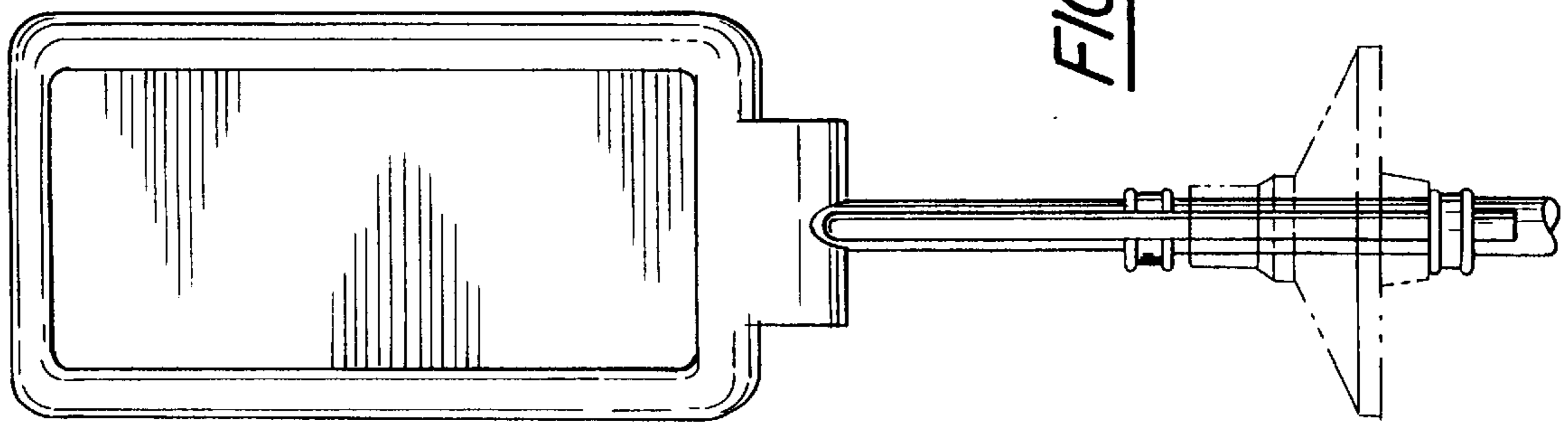
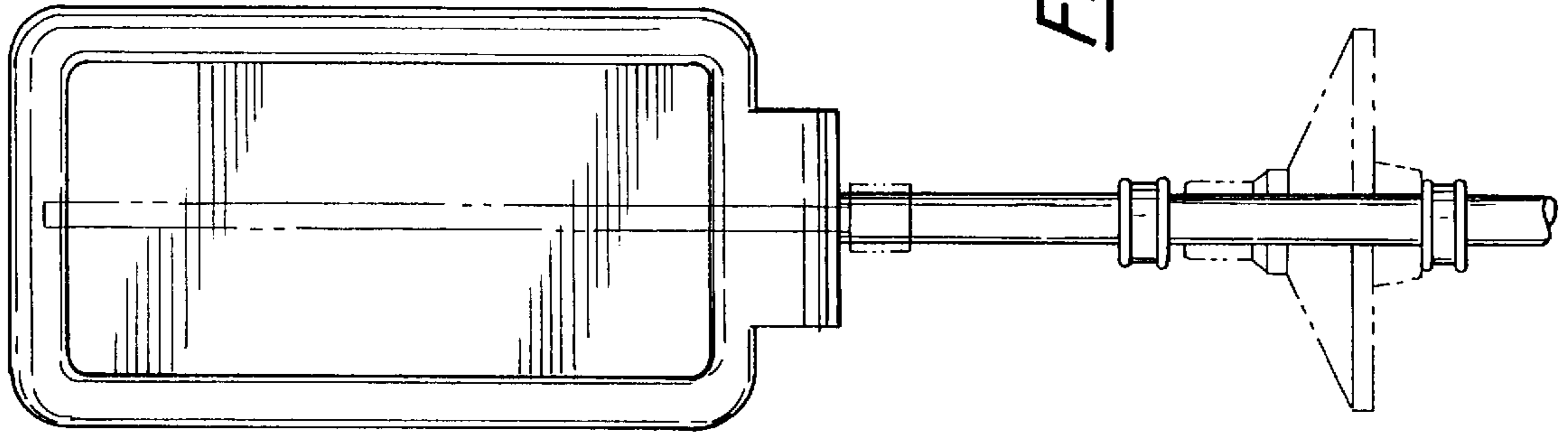


FIG - 12

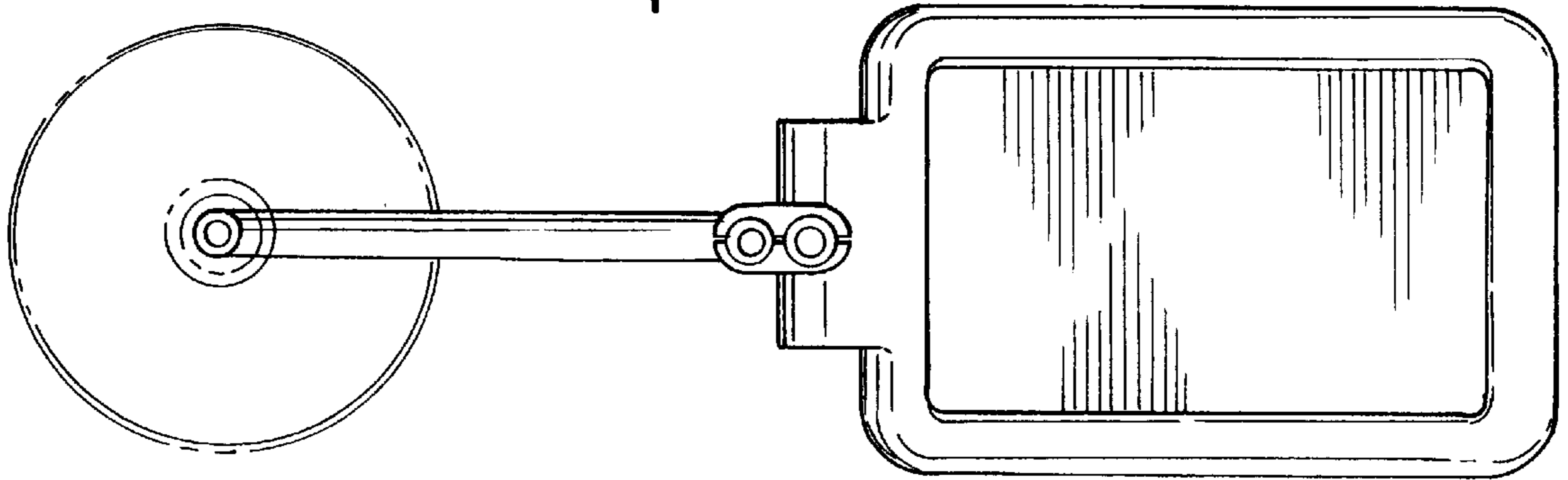


FIG - 11

