



US00D404840S

United States Patent [19]

Van Deursen et al.

[11] **Patent Number: Des. 404,840**

[45] **Date of Patent: **Jan. 26, 1999**

[54] **FLASHLIGHT**

[75] Inventors: **Gary Van Deursen**, Avon, Conn.; **John Howard**, Brewster, N.Y.

[73] Assignee: **The Coleman Company, Inc.**, Wichita, Kans.

[**] Term: **14 Years**

[21] Appl. No.: **88,763**

[22] Filed: **Jun. 1, 1998**

[51] **LOC (6) Cl.** **26-02**

[52] **U.S. Cl.** **D26/49**

[58] **Field of Search** D26/37-50; 362/157, 362/158, 171, 172, 178, 181, 183, 192, 194, 196, 197, 200-206

[56] **References Cited**

U.S. PATENT DOCUMENTS

D. 153,282 4/1949 Haas D26/49

D. 252,534 7/1979 Zun D26/49
D. 285,356 8/1986 Schosser D26/49
D. 296,478 6/1988 Powell et al. D26/49
D. 377,105 12/1996 Yurn D26/49
D. 392,757 3/1998 Burns D26/37

Primary Examiner—Marcus A. Jackson

[57] **CLAIM**

The ornamental design for a flashlight, as shown and described.

DESCRIPTION

FIG. 1 is a perspective view of the flashlight; FIG. 2 is a right side elevational view of the flashlight; FIG. 3 is a top plan view of the flashlight; FIG. 4 is a left side elevational view of the flashlight; FIG. 5 is a bottom view of the flashlight; FIG. 6 is a front elevational view of the flashlight; and, FIG. 7 is a rear elevational view of the flashlight.

1 Claim, 4 Drawing Sheets

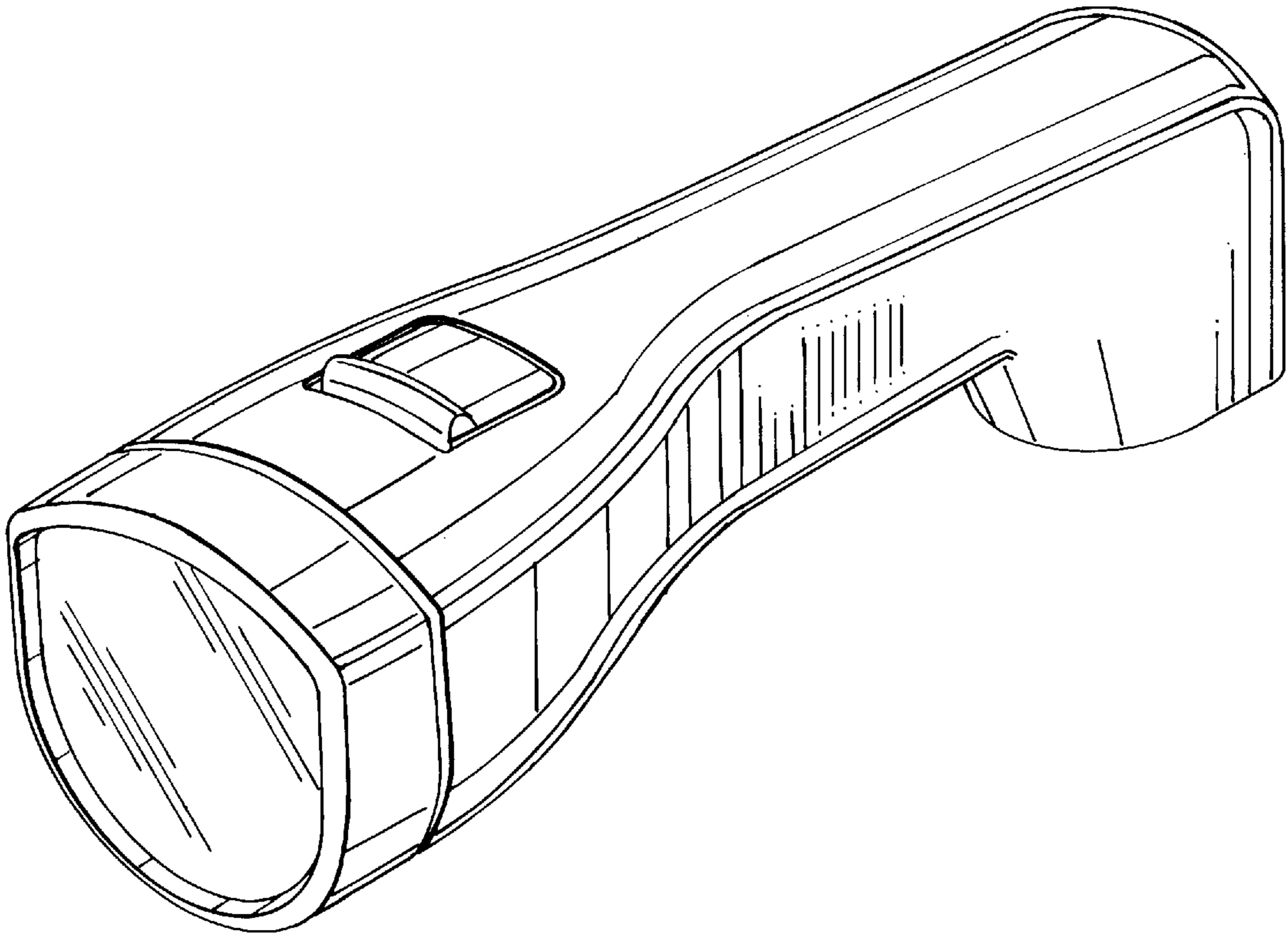


FIG. 1

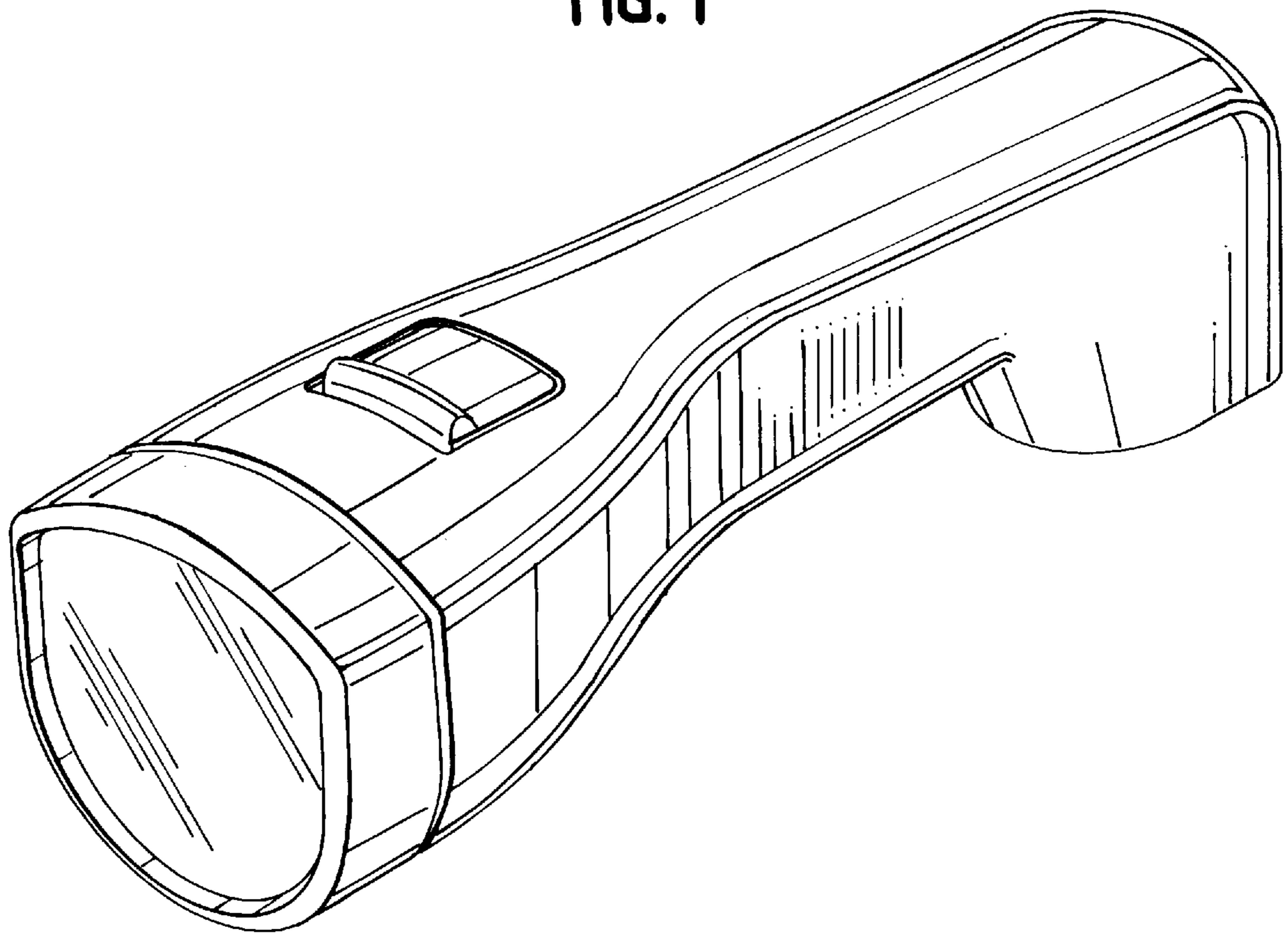


FIG. 2

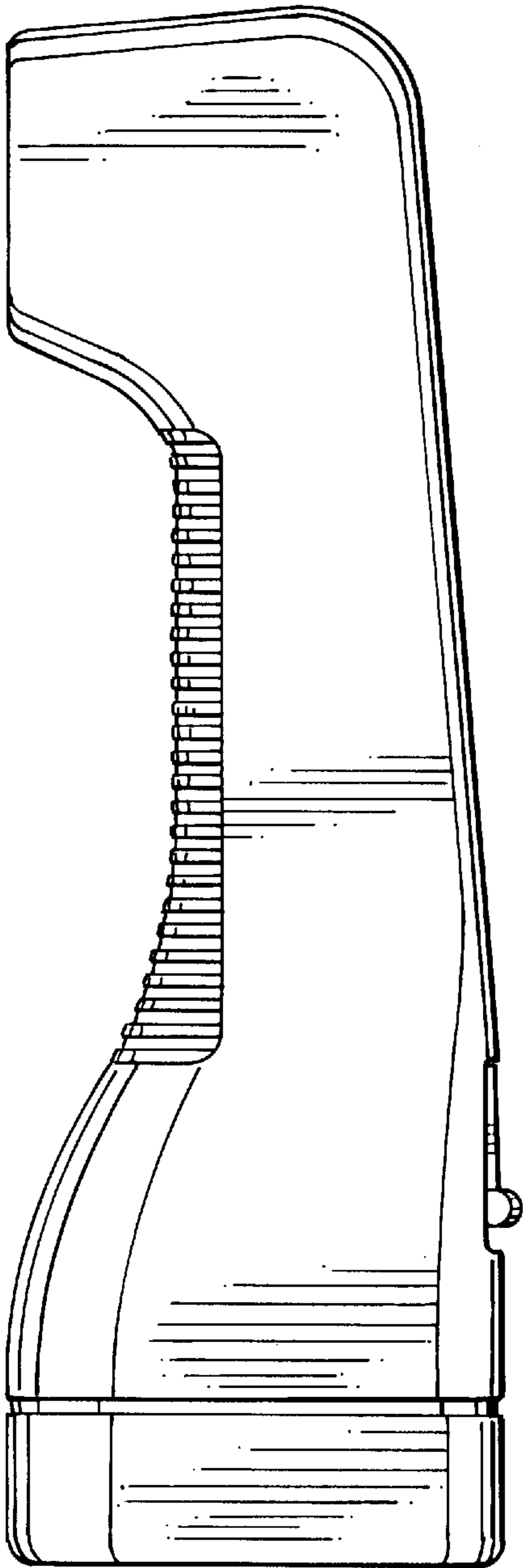


FIG. 3

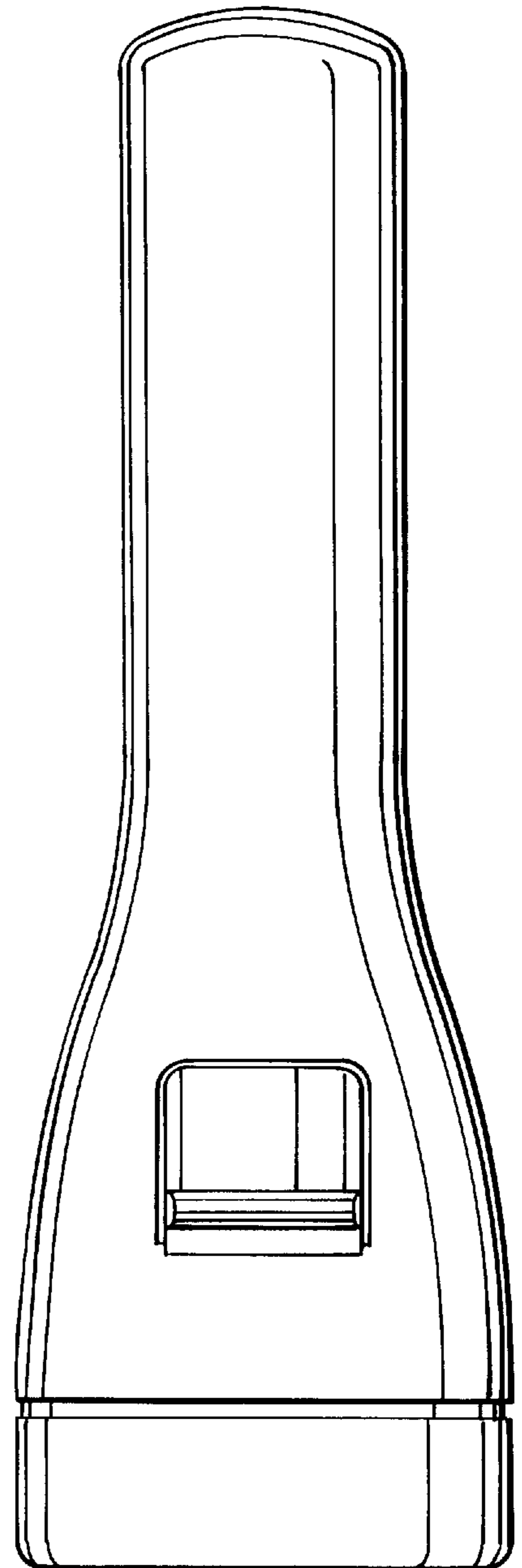


FIG. 4

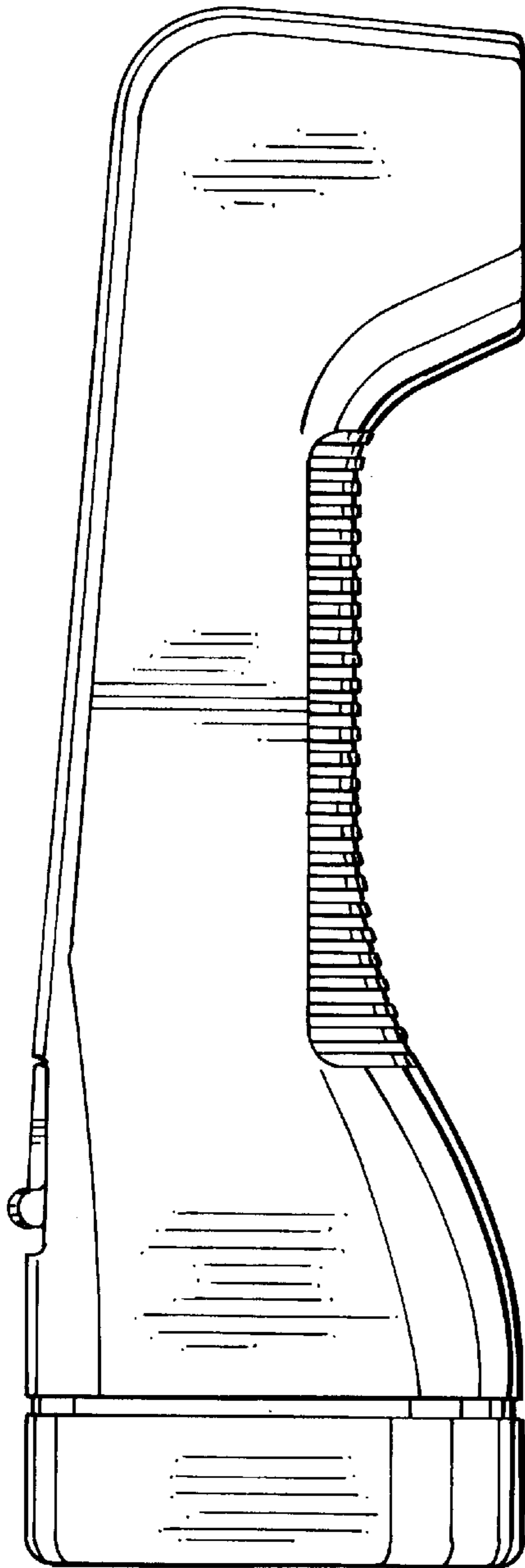


FIG. 5

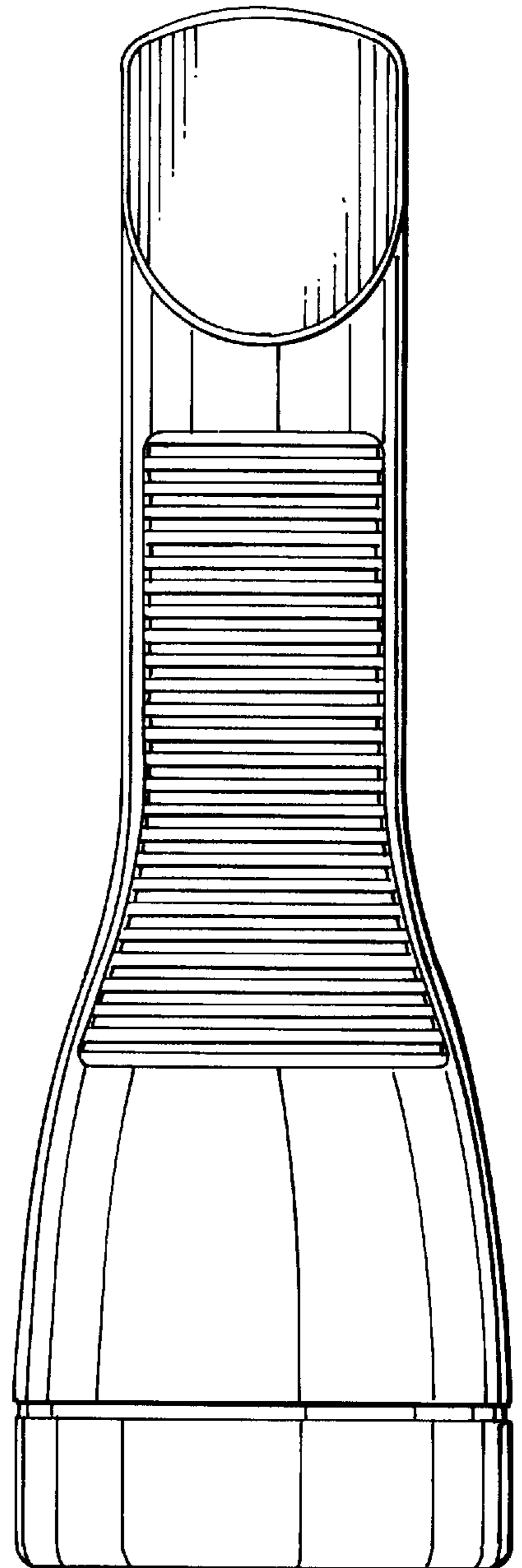


FIG. 6

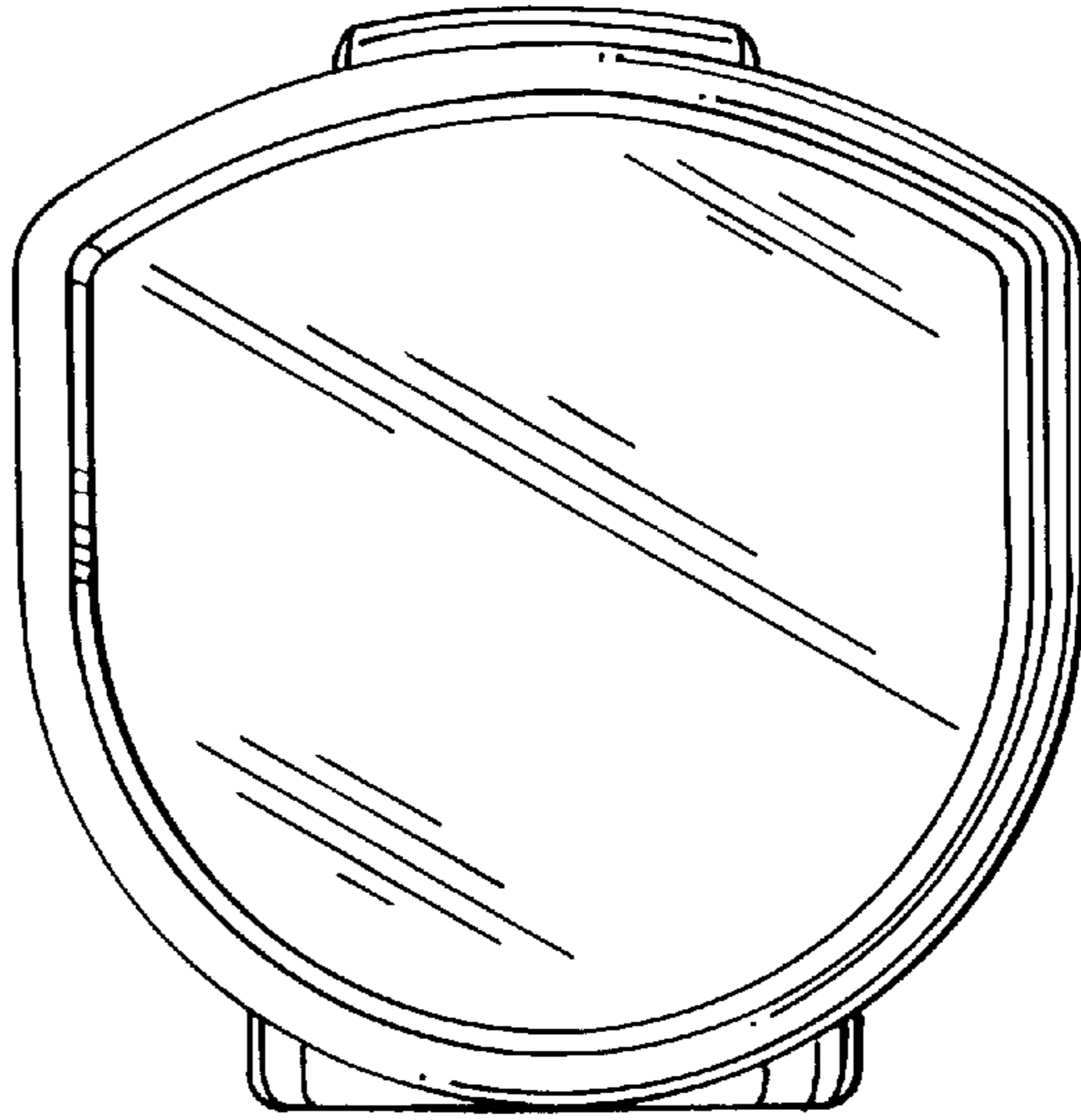


FIG. 7

