



US00D404839S

United States Patent [19]

[11] Patent Number: **Des. 404,839**

Petterson et al.

[45] Date of Patent: ****Jan. 26, 1999**

[54] FLASHLIGHT

Exhibit C: Sanyo LAO LK-3204 Flashlight prior to Jun. 16, 1998.

[75] Inventors: **Tor H. Petterson**, Rancho Palos Verdes; **William B. Farnham**, San Pedro, both of Calif.

“Specialty Lights Rayovac® Swivel-Light™ Hands-Free Worklight”—Rayovac Corporation prior to Jun. 16, 1998.

[73] Assignee: **Rayovac Corporation**, Madison, Wis.

“Swivel-Light™ Flashlight Ad Slicks”—Rayovac Corporation prior to Jun. 16, 1998.

[**] Term: **14 Years**

“Display and Merchandising Program—Lights”—Rayovac Corporation prior to Jun. 16, 1998.

[21] Appl. No.: **89,458**

Primary Examiner—Marcus A. Jackson
Attorney, Agent, or Firm—Lathrop & Clark

[22] Filed: **Jun. 16, 1998**

[51] LOC (6) Cl. **26-02**

[52] U.S. Cl. **D26/44**

[58] Field of Search D26/37-50; 362/157, 362/158, 171, 172, 178, 181, 183-208

[57] CLAIM

The ornamental design for a flashlight, as shown and described.

[56] References Cited

DESCRIPTION

U.S. PATENT DOCUMENTS

D. 378,434	3/1997	Petterson et al.	D26/44
D. 390,986	2/1998	Yuen	D26/44
D. 392,759	3/1998	Howard et al.	D26/44
1,284,502	11/1918	Walton .	
3,851,166	11/1974	Kohler .	
4,459,646	7/1984	Drane .	
4,533,982	8/1985	Kozar .	
4,777,572	10/1988	Ambasz .	
5,541,822	7/1996	Bamber .	
5,738,432	4/1998	Okko et al. .	

OTHER PUBLICATIONS

Exhibit A: Coleman Powers Flashlight prior to Jun. 16, 1998.

Exhibit B: Garrity Flashlight prior to Jun. 16, 1998.

FIG. 1 is a perspective view of the flashlight of this invention;

FIG. 2 is a bottom plan view thereof;

FIG. 3 is a top plan view thereof;

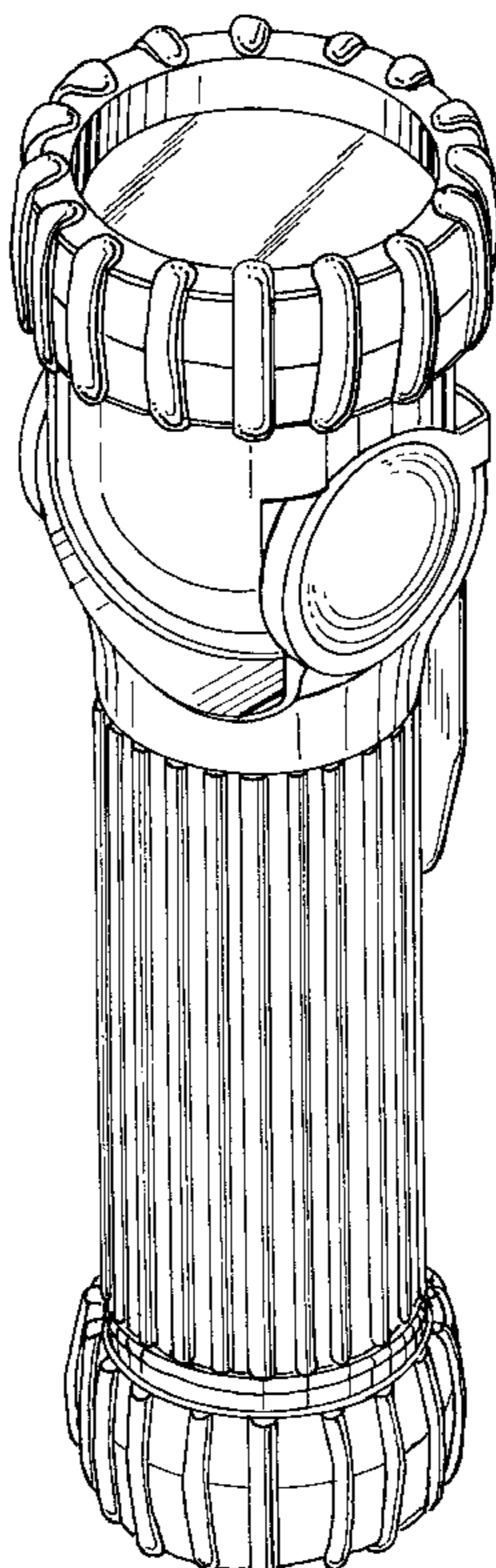
FIG. 4 is a side elevational view thereof, the side opposite being a mirror image thereof;

FIG. 5 is a front elevational view thereof;

FIG. 6 is a rear elevational view thereof; and,

FIG. 7 is a perspective view thereof, showing the lamp housing portion in a pivoted portion.

1 Claim, 4 Drawing Sheets



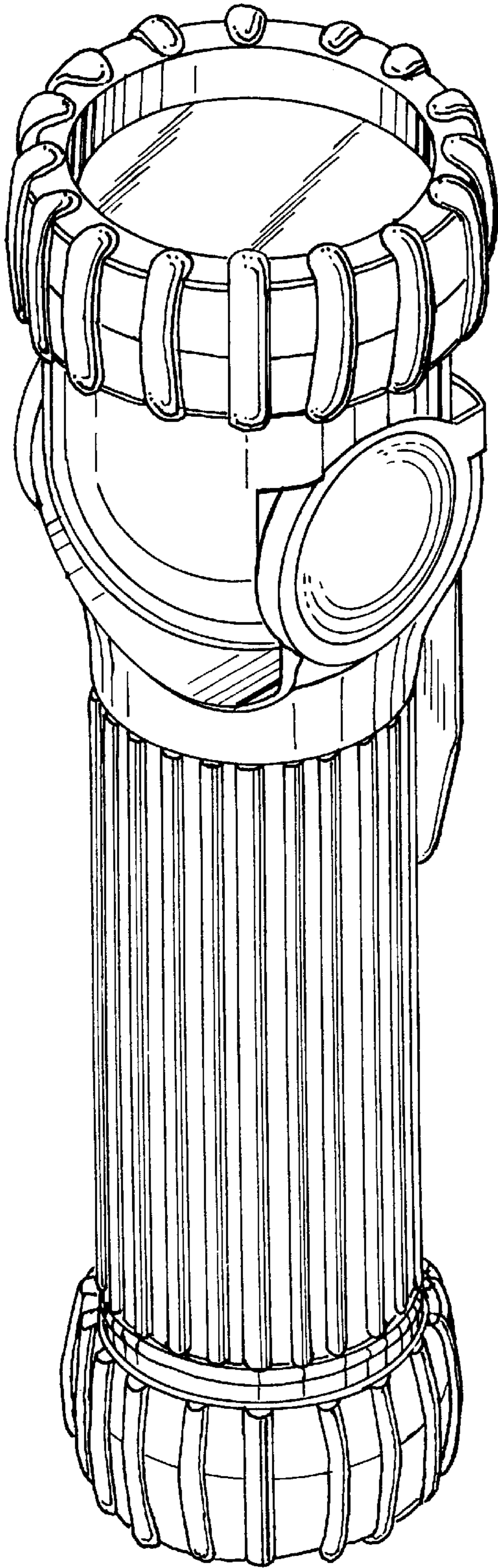


FIG. 1

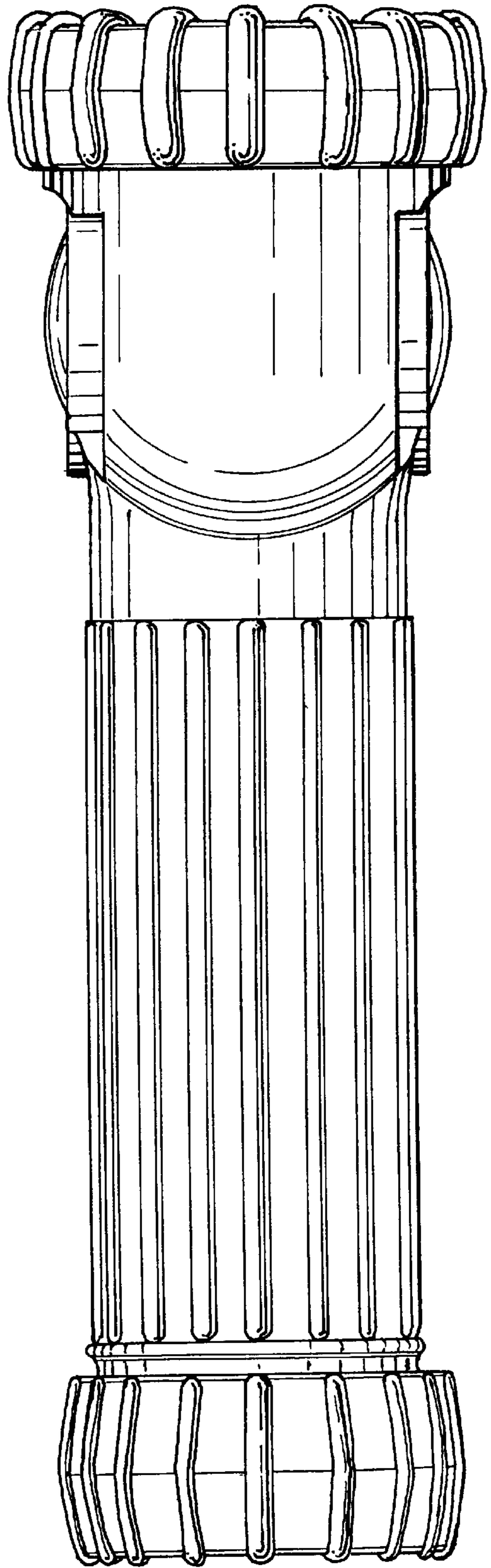


FIG. 2

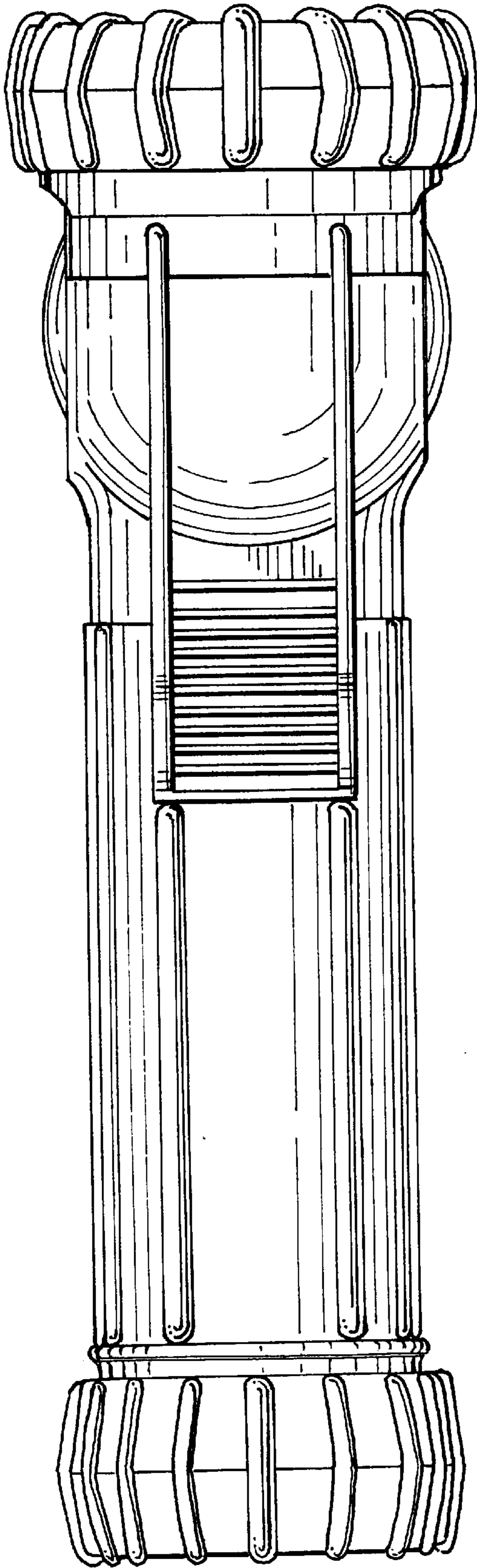


FIG. 3

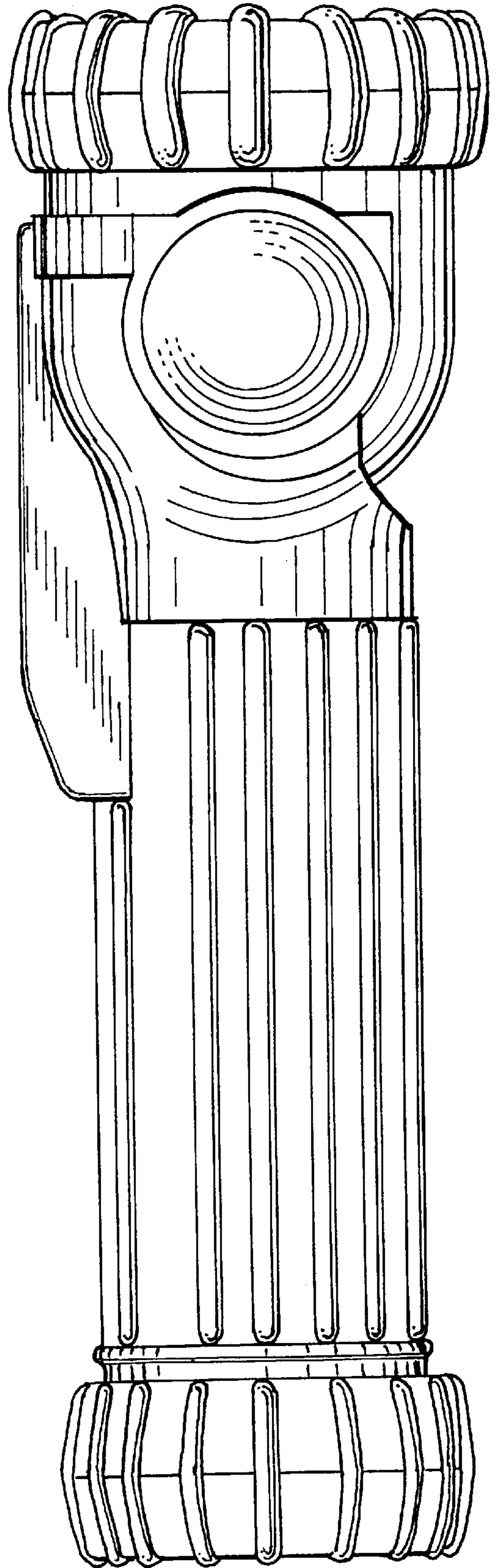


FIG. 4

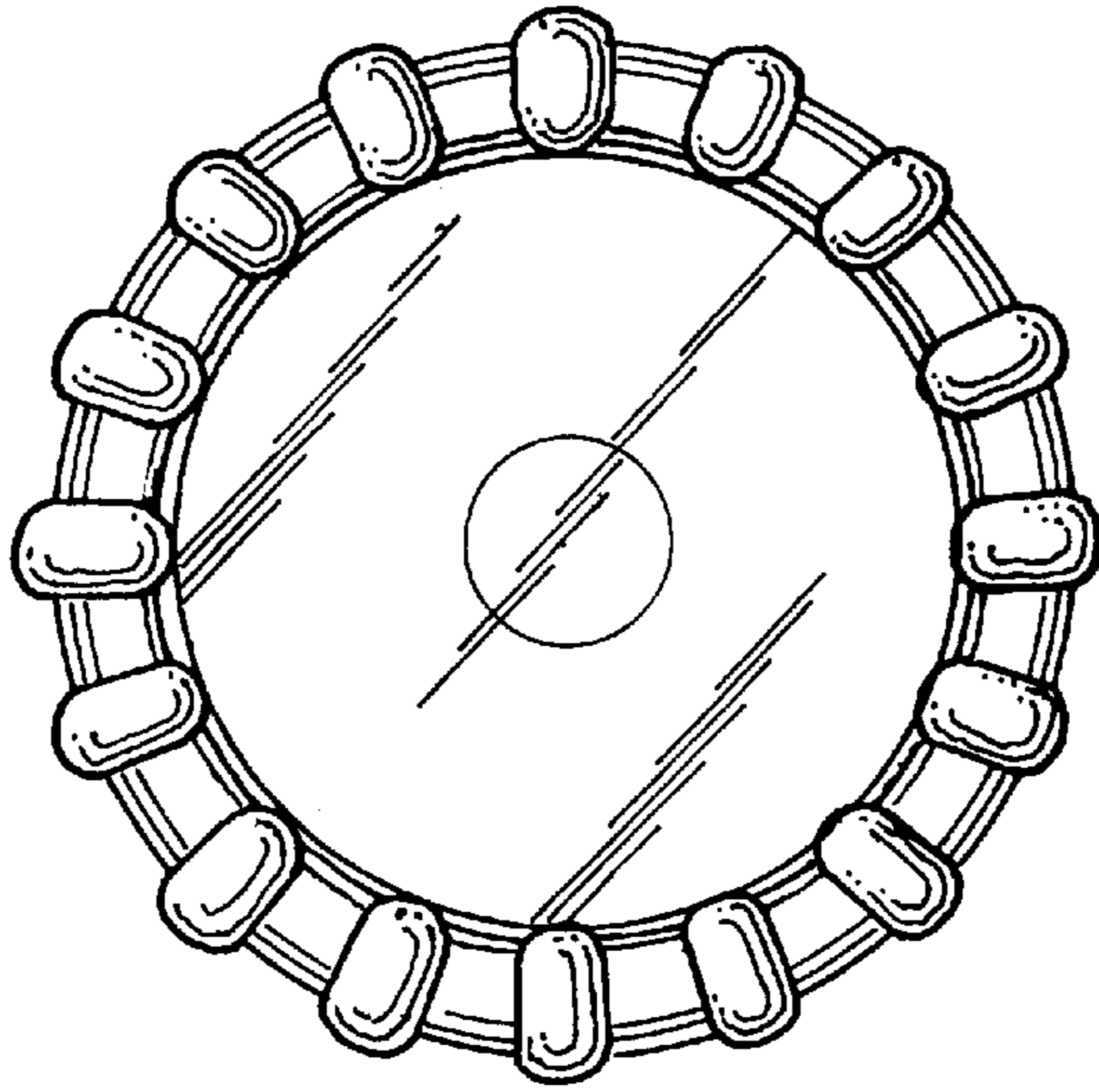


FIG. 5

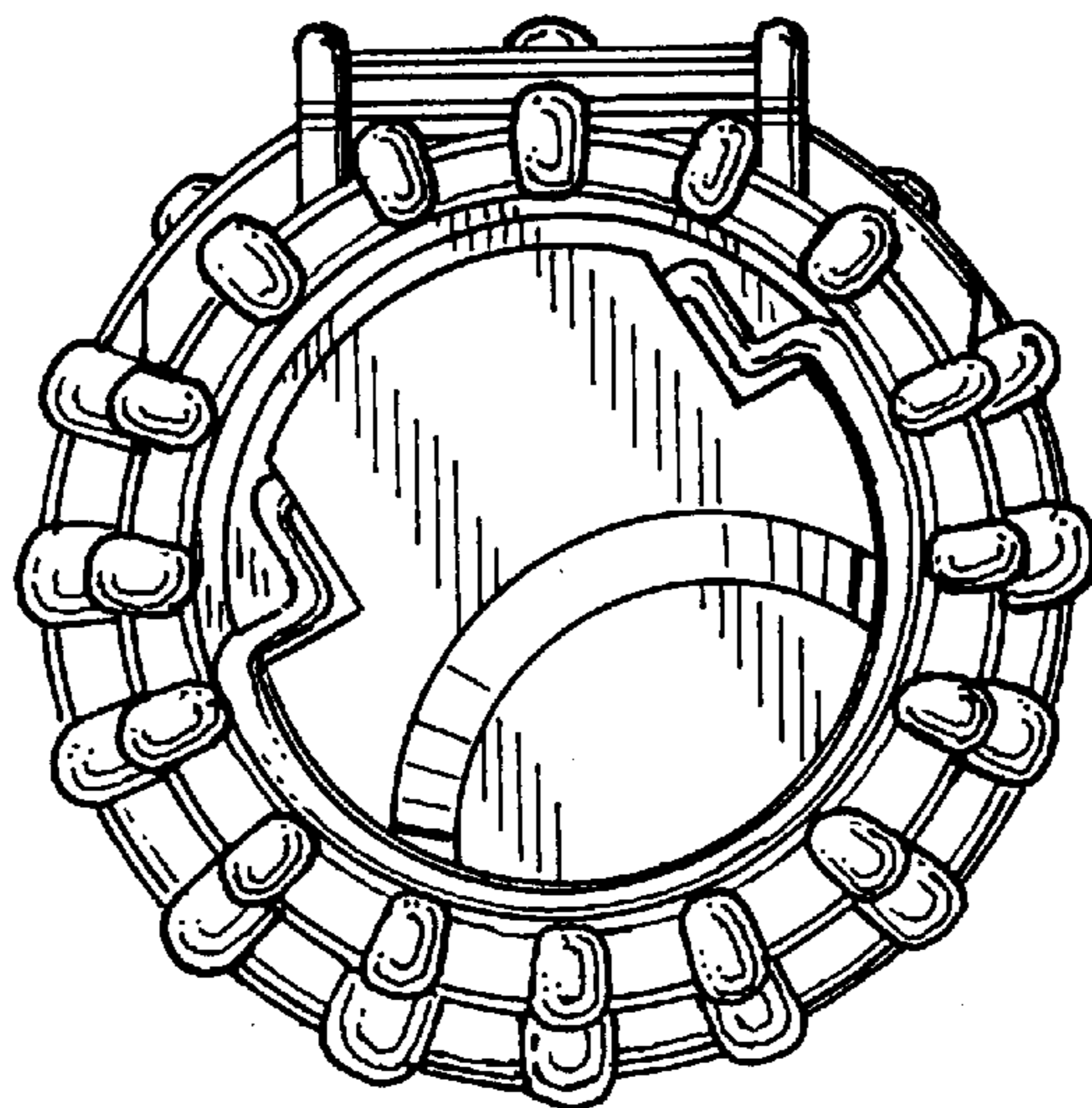


FIG. 6

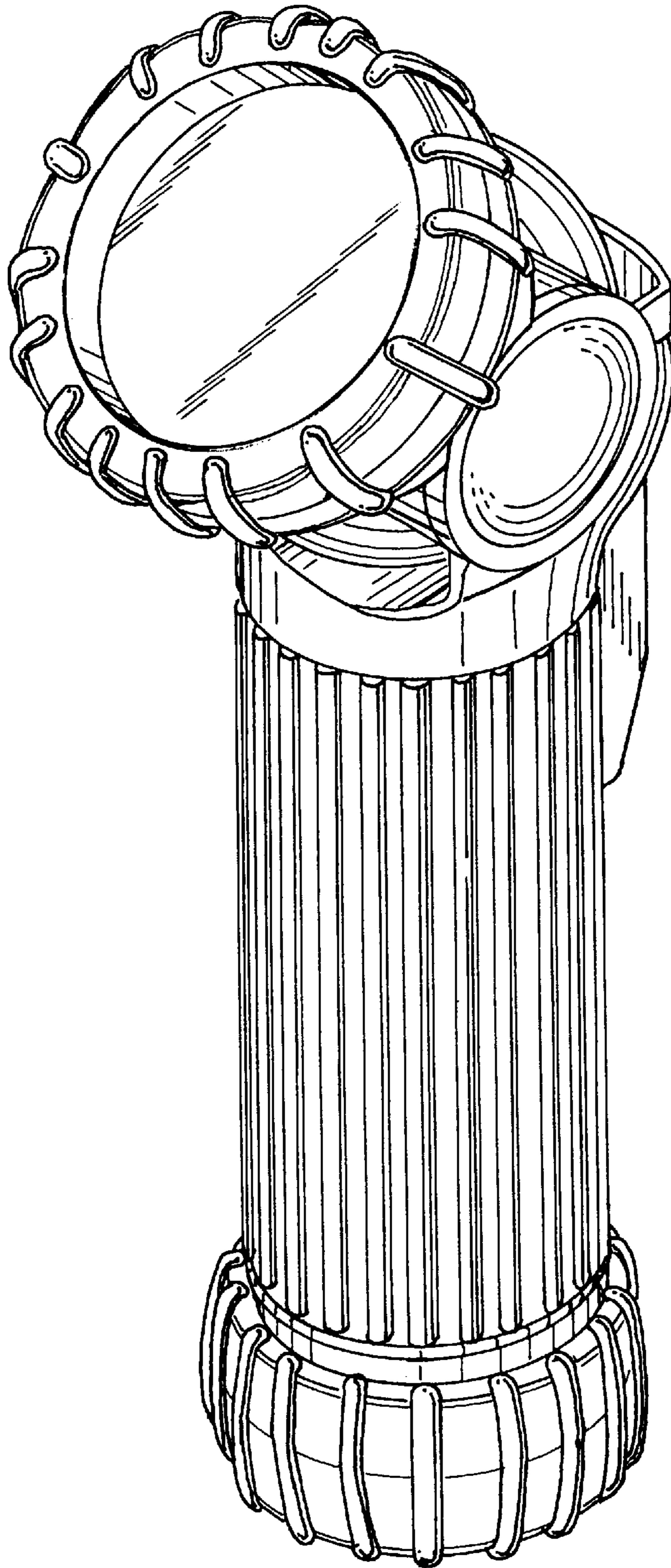


FIG. 7