



US00D404837S

United States Patent [19] Segan

[11] **Patent Number: Des. 404,837**

[45] **Date of Patent: **Jan. 26, 1999**

[54] **SET OF ORNAMENTAL LIGHTS**

[75] Inventor: **Marc H. Segan**, New York, N.Y.

[73] Assignee: **M. H. Segan Limited Partnership**,
Great Barrington, Mass.

[**] Term: **14 Years**

[21] Appl. No.: **76,145**

[22] Filed: **Aug. 26, 1997**

[51] **LOC (6) Cl.** **26-04**

[52] **U.S. Cl.** **D26/25; D26/73; D26/94**

[58] **Field of Search** **D26/25, 73, 94,**
D26/26, 118, 125; 362/249, 250, 252, 806

[56] **References Cited**

U.S. PATENT DOCUMENTS

D. 230,189	1/1974	Dietz et al.	D26/26
D. 337,836	7/1993	Johnson	D26/25
D. 374,293	10/1996	Streger et al.	D26/25

OTHER PUBLICATIONS

Photocopies of front and back of box from 1996 Hallmark Keepsake Ornament.

Primary Examiner—Susan J. Lucas
Attorney, Agent, or Firm—Cohen, Pontani, Lieberman & Pavane

[57] **CLAIM**

I claim the ornamental design for a set of ornamental lights, as shown and described.

DESCRIPTION

FIG. 1 is a top view of a set of ornamental lights showing my new design;

FIG. 2 is a front view thereof;

FIG. 3 is a rear view thereof;

FIG. 4 is a bottom view thereof;

FIG. 5 is a left-side view thereof;

FIG. 6 is a right-side view thereof;

FIG. 7 is a front perspective view of one light from said set of ornamental lights;

FIG. 8 is a right-side view of said ornamental light of FIG. 7;

FIG. 9 is a front perspective view of another light from said set of ornamental lights;

FIG. 10 is a right-side view of said ornamental light of FIG. 9;

FIG. 11 is a front perspective view of another light from said set of ornamental lights;

FIG. 12 is a right-side view of said ornamental light of FIG. 11;

FIG. 13 is a front perspective view of another light from said set of ornamental lights;

FIG. 14 is a right-side view of said ornamental light of FIG. 13;

FIG. 15 is a front perspective view of another light from said set of ornamental lights; and,

FIG. 16 is a left-side view of said ornamental light of FIG. 15.

The single ornamental lights are shown separately in FIGS. 7 through 16 for convenience of illustration.

The broken lines are shown for illustrative purposes only and form no part of the claimed design.

1 Claim, 5 Drawing Sheets

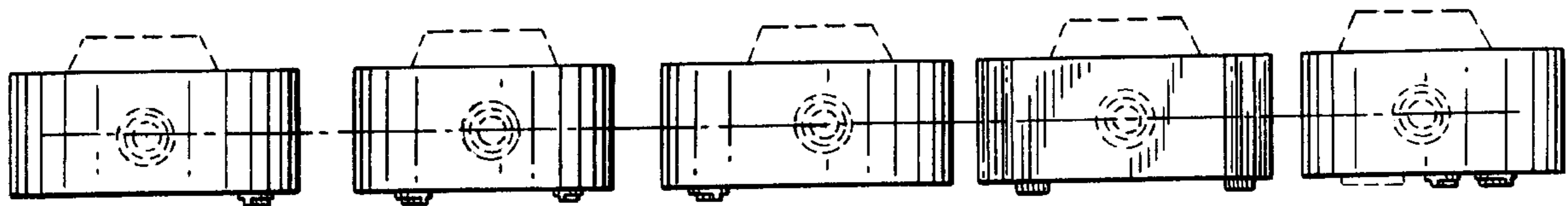


FIG. 1

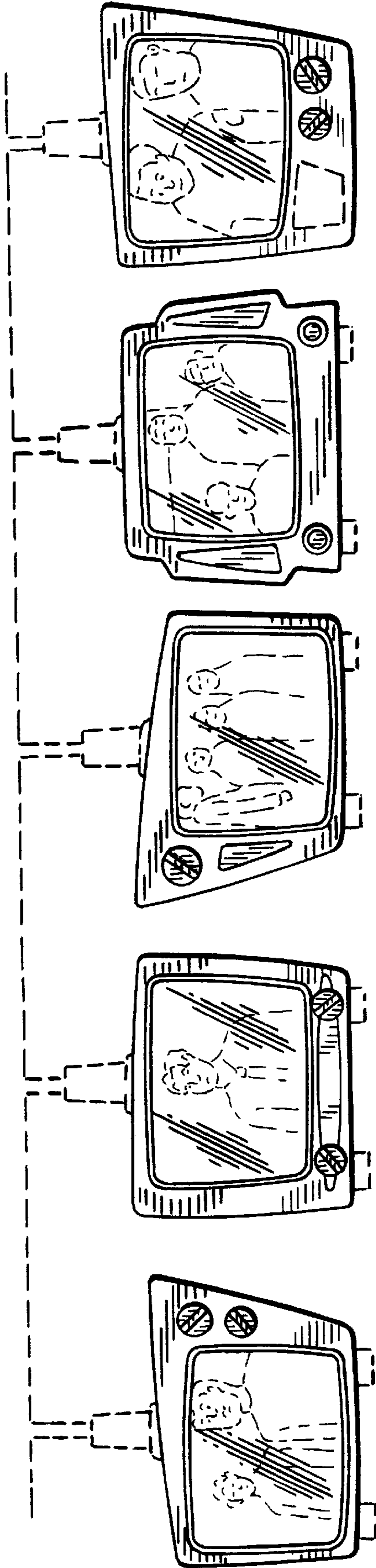
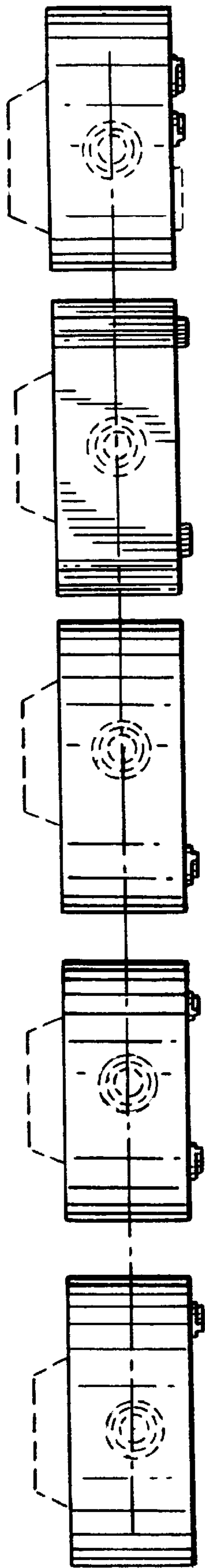


FIG. 2

FIG.3

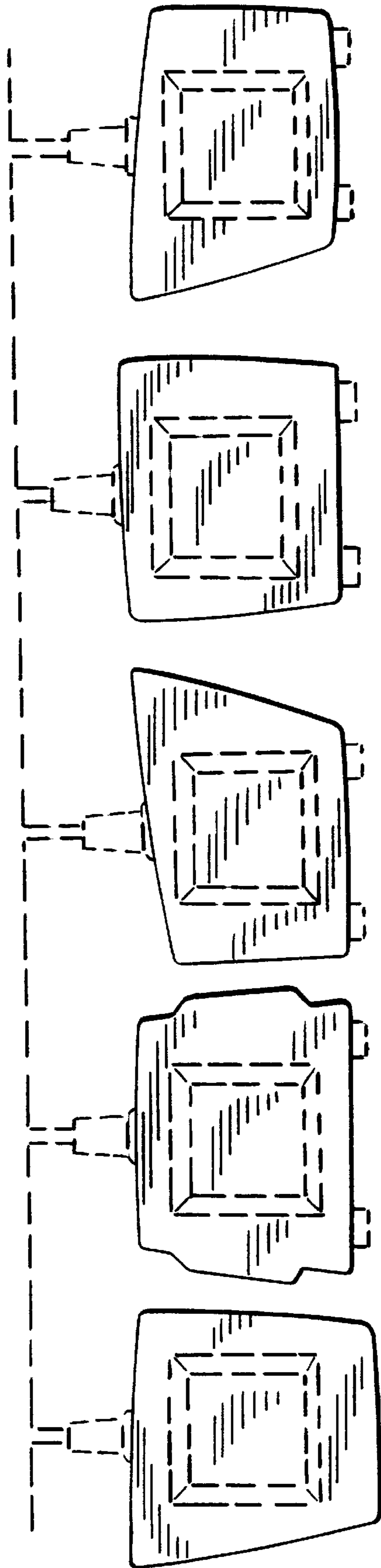


FIG.4

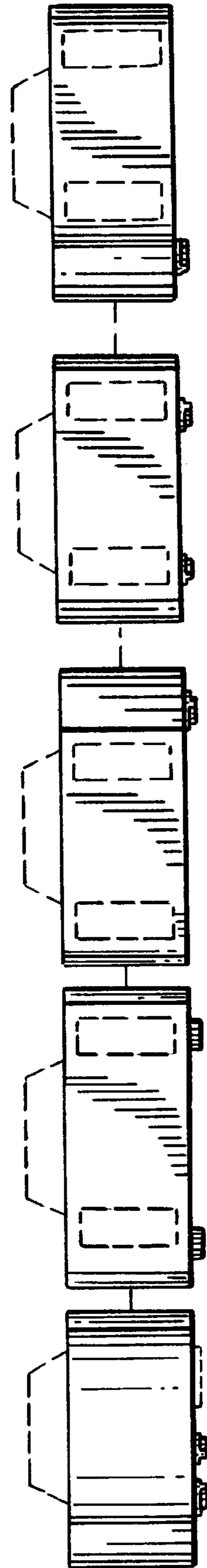


FIG. 5

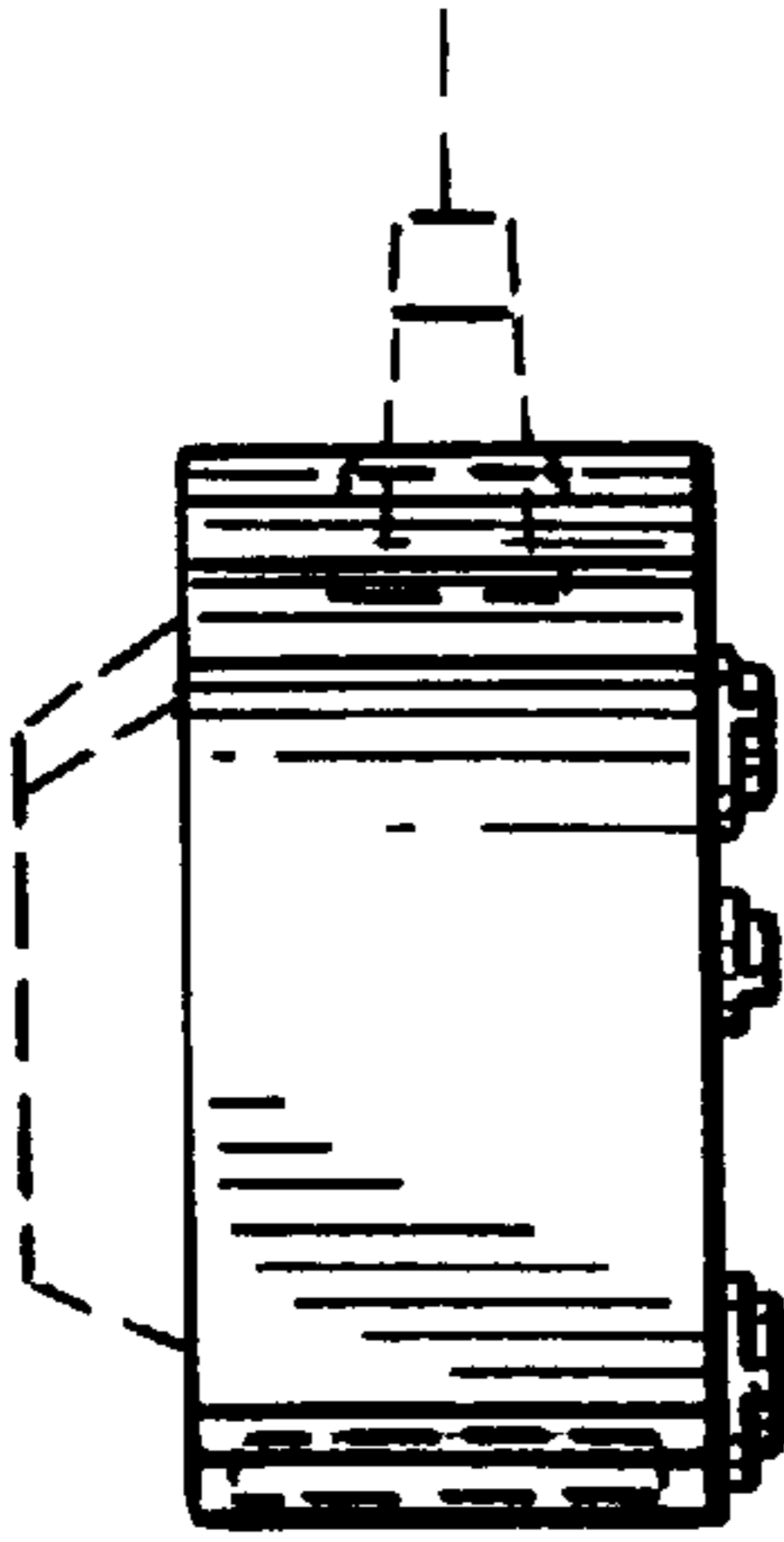


FIG. 6

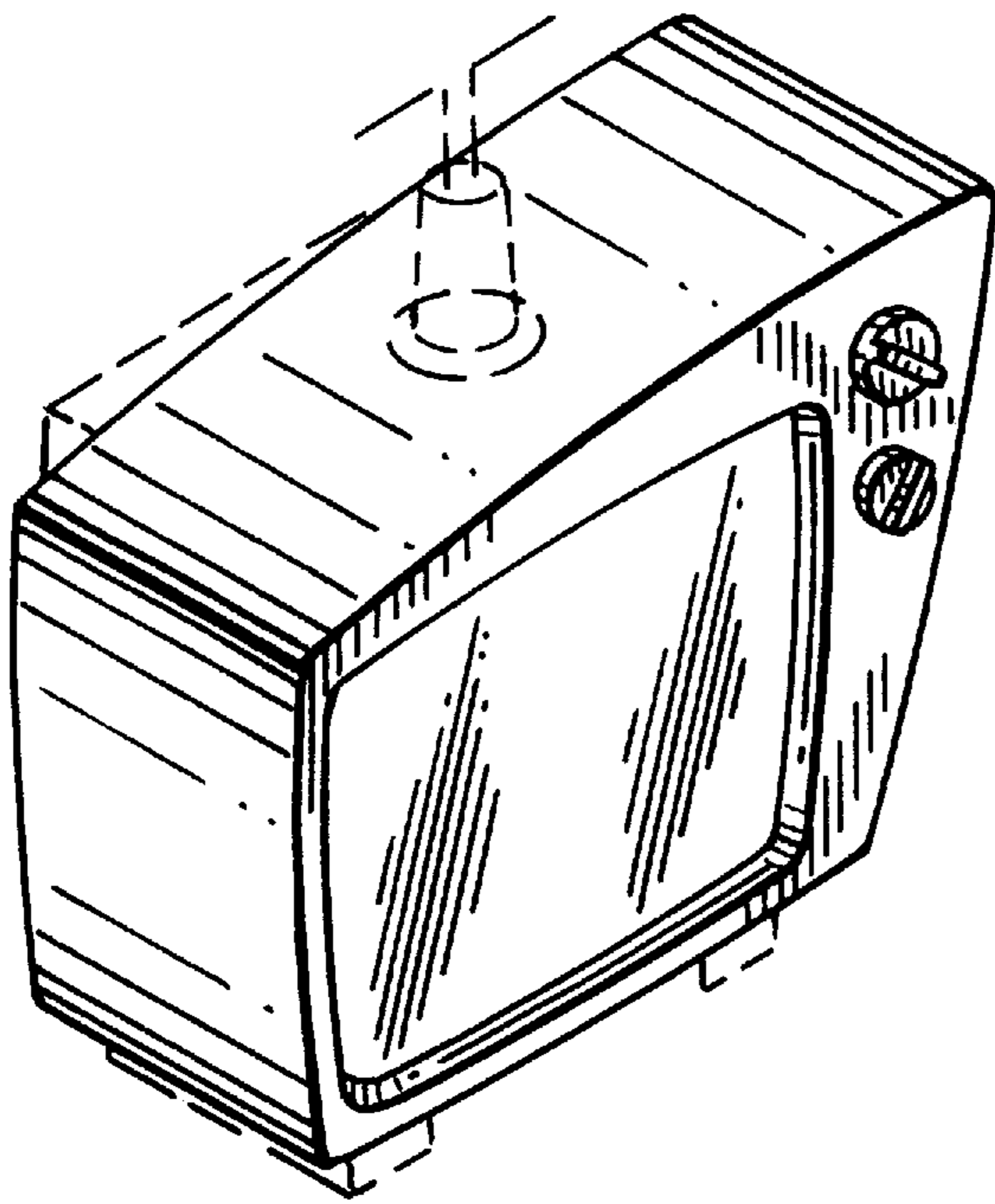
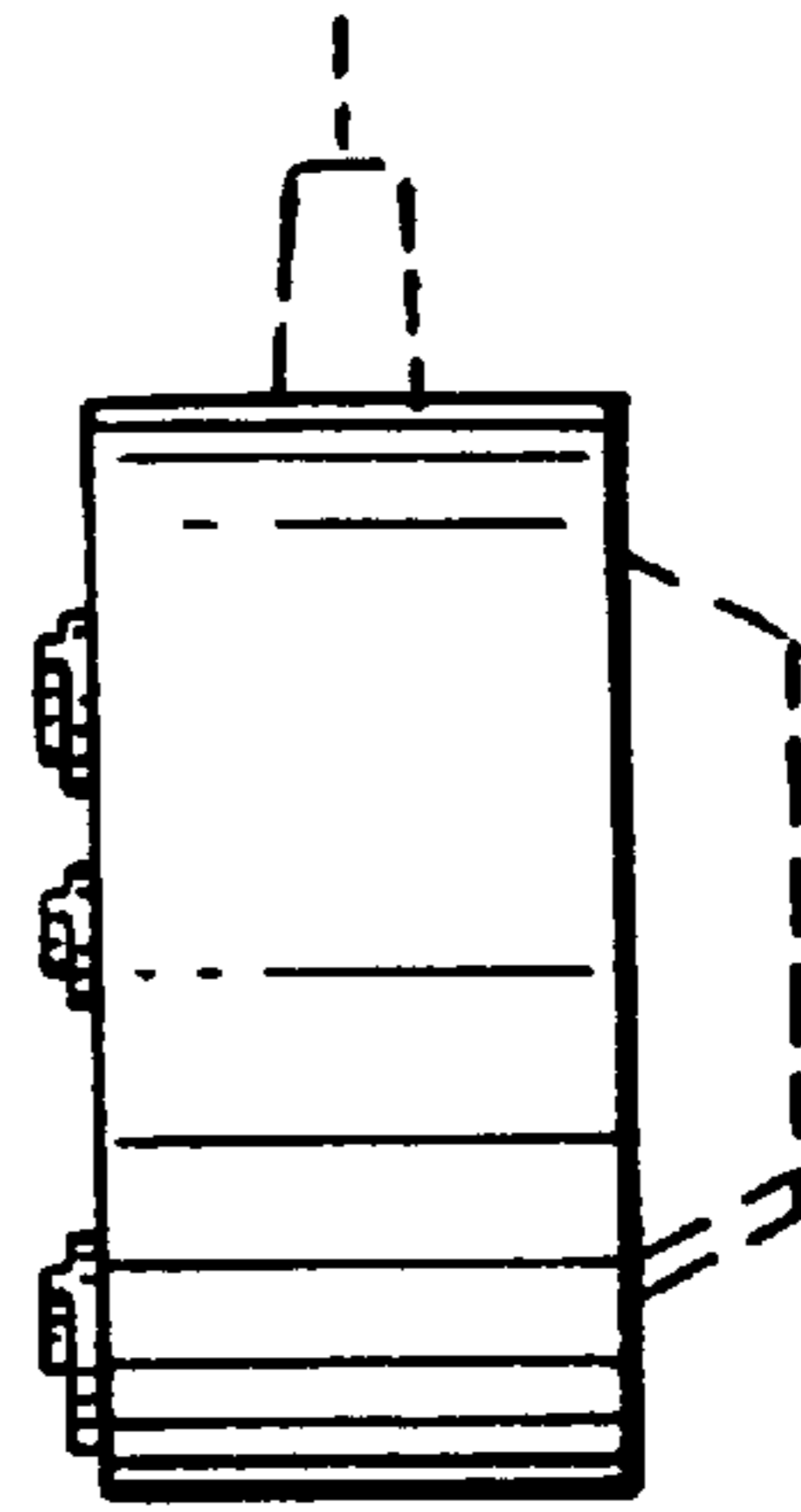
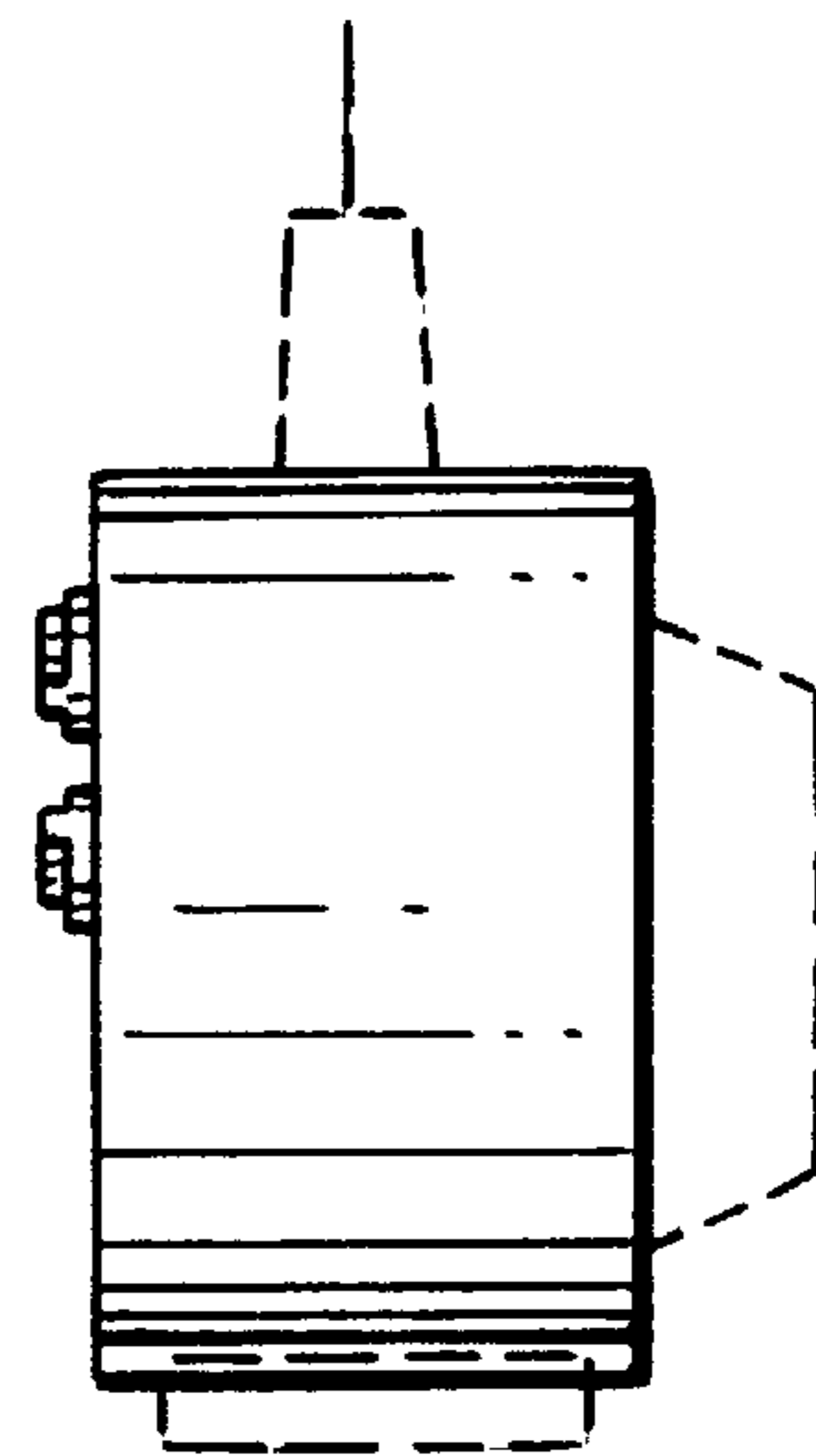


FIG. 7

FIG. 8



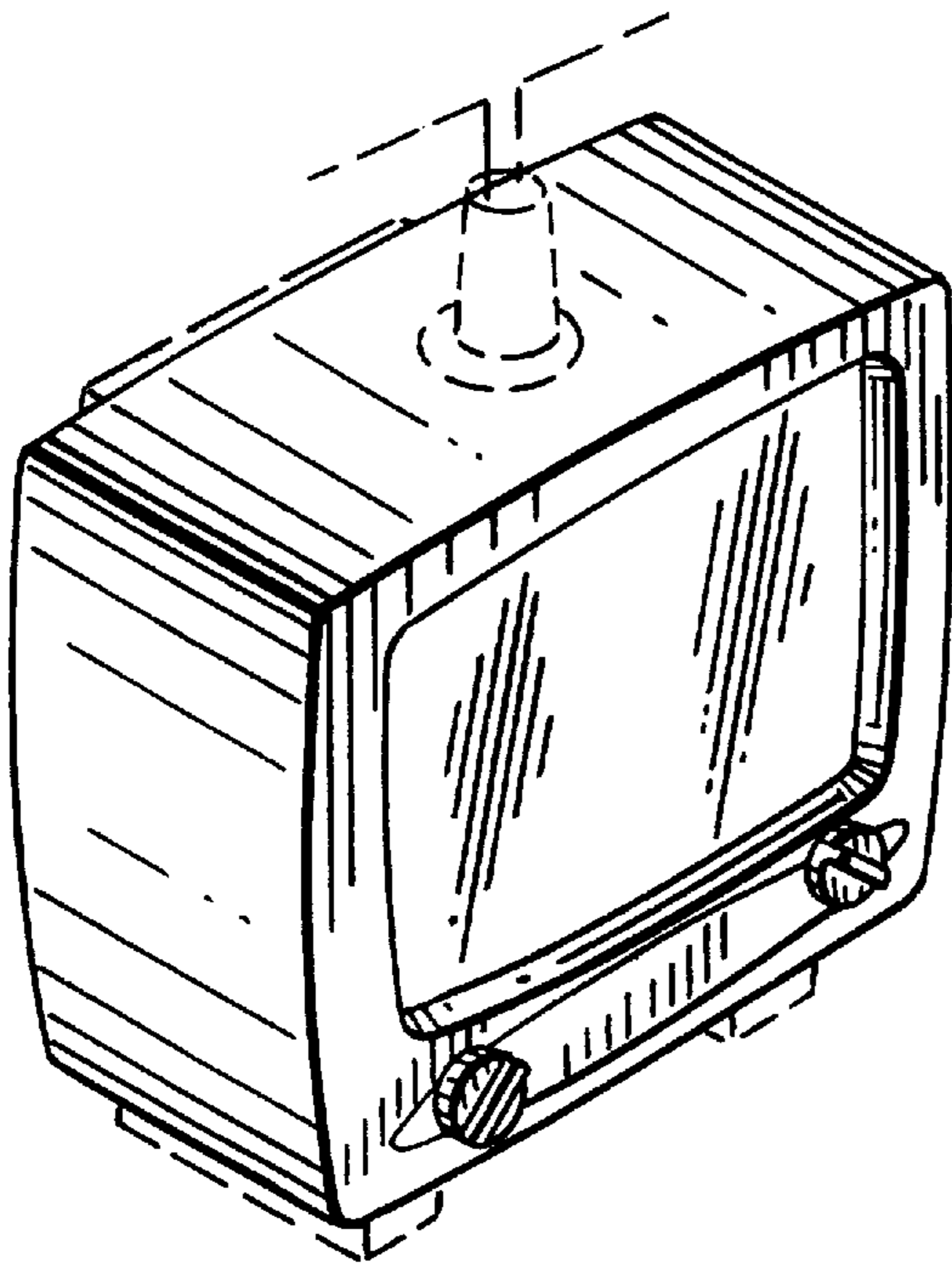


FIG. 9

FIG. 10

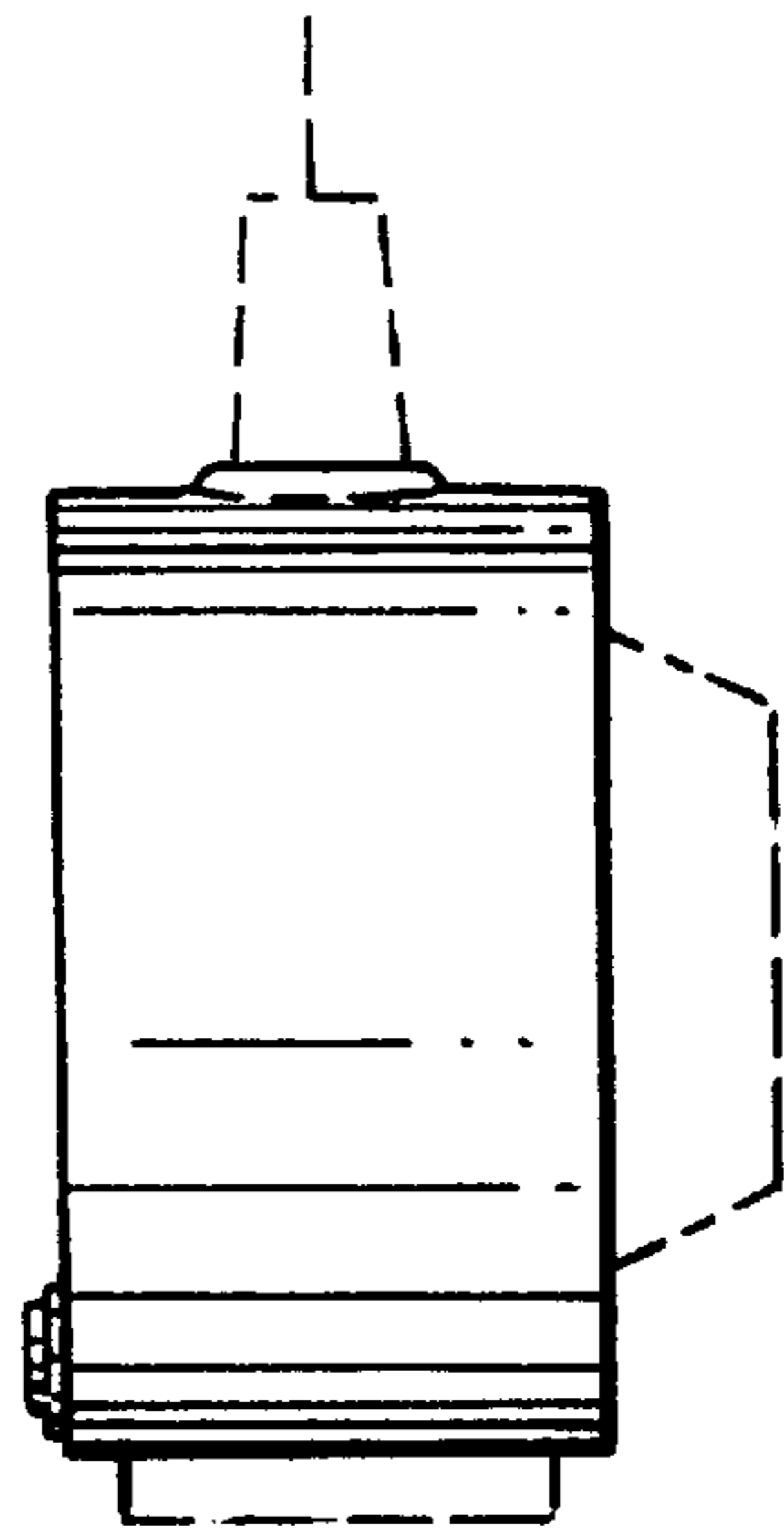


FIG. 11

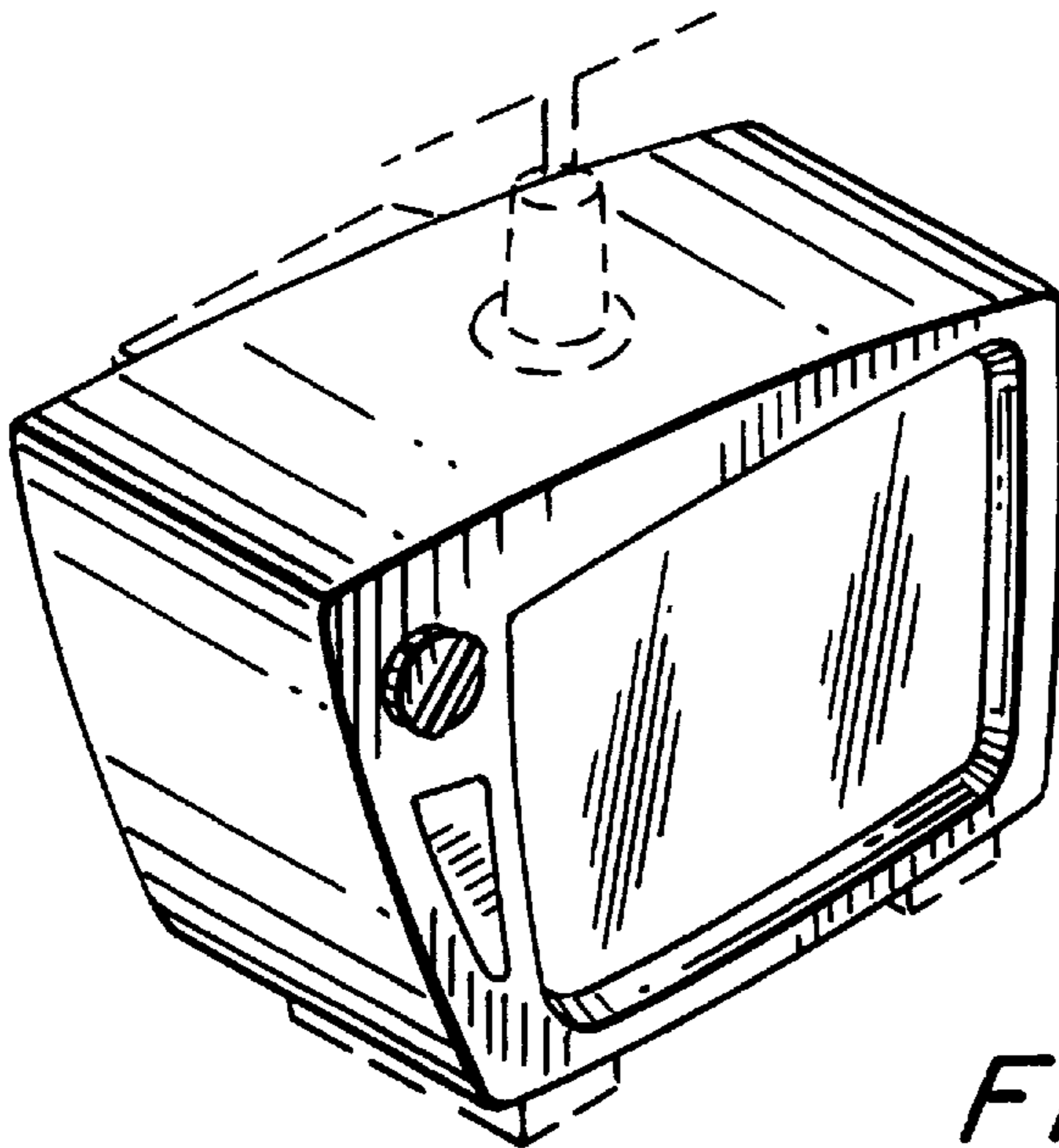
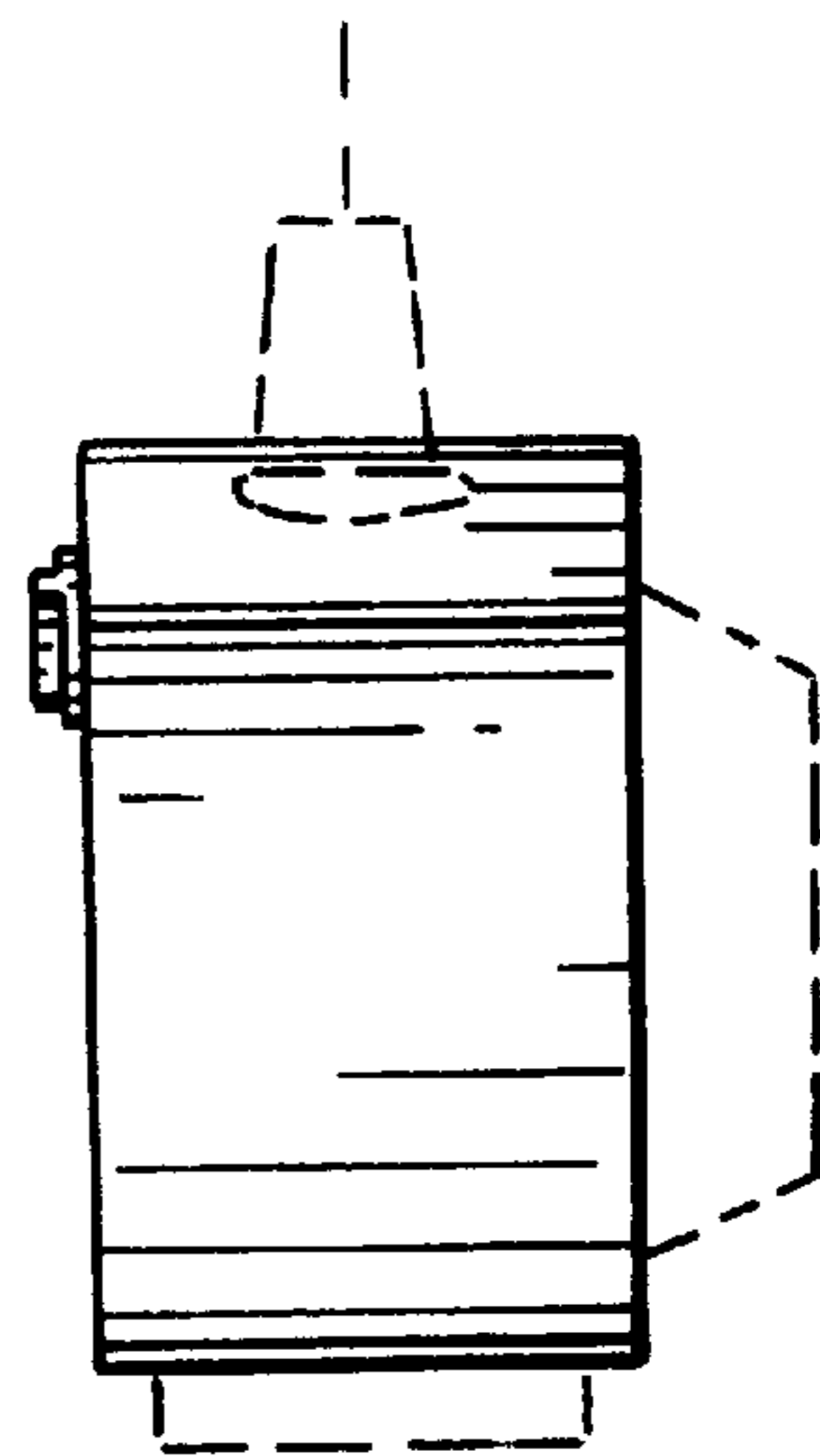


FIG. 12



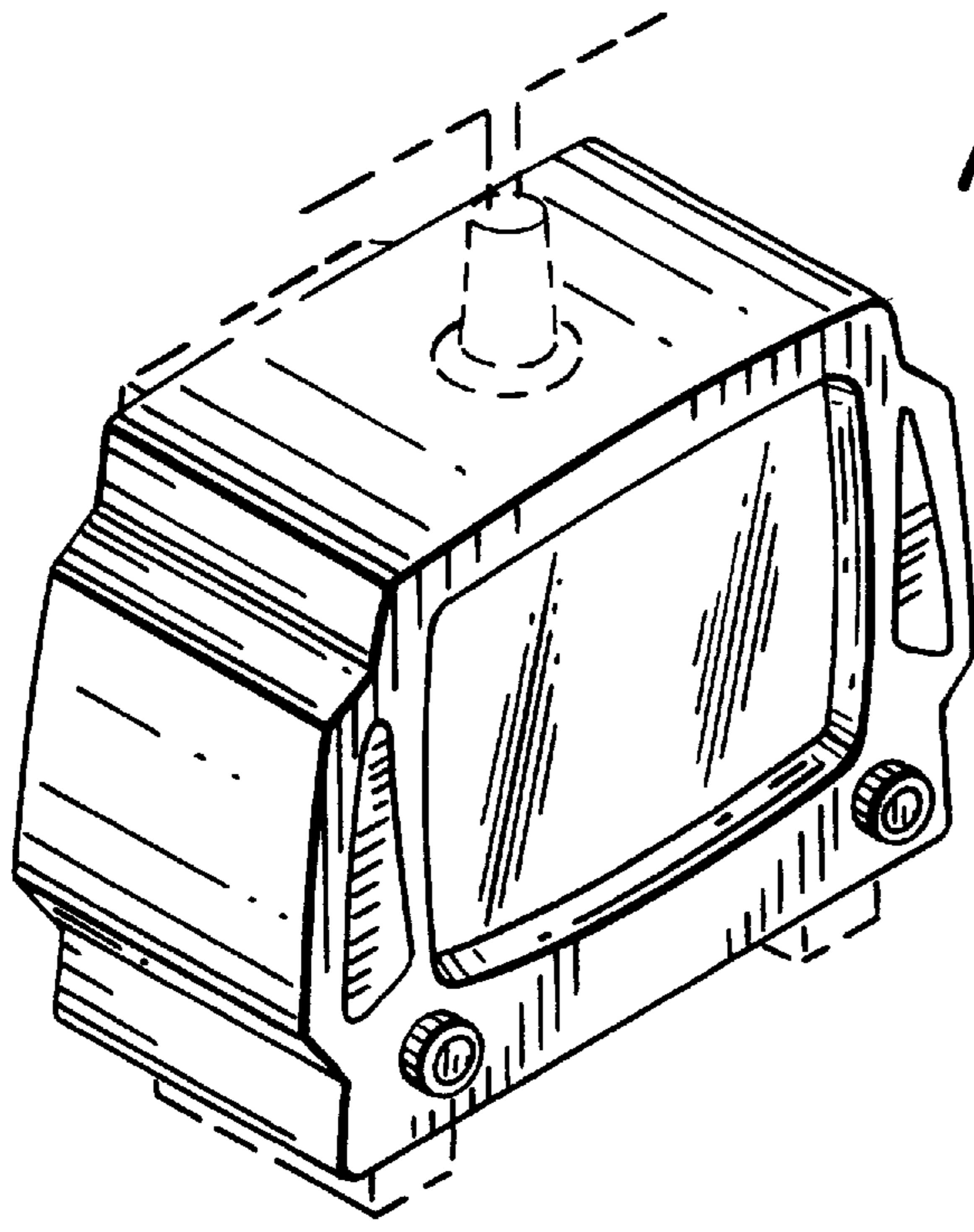


FIG. 13

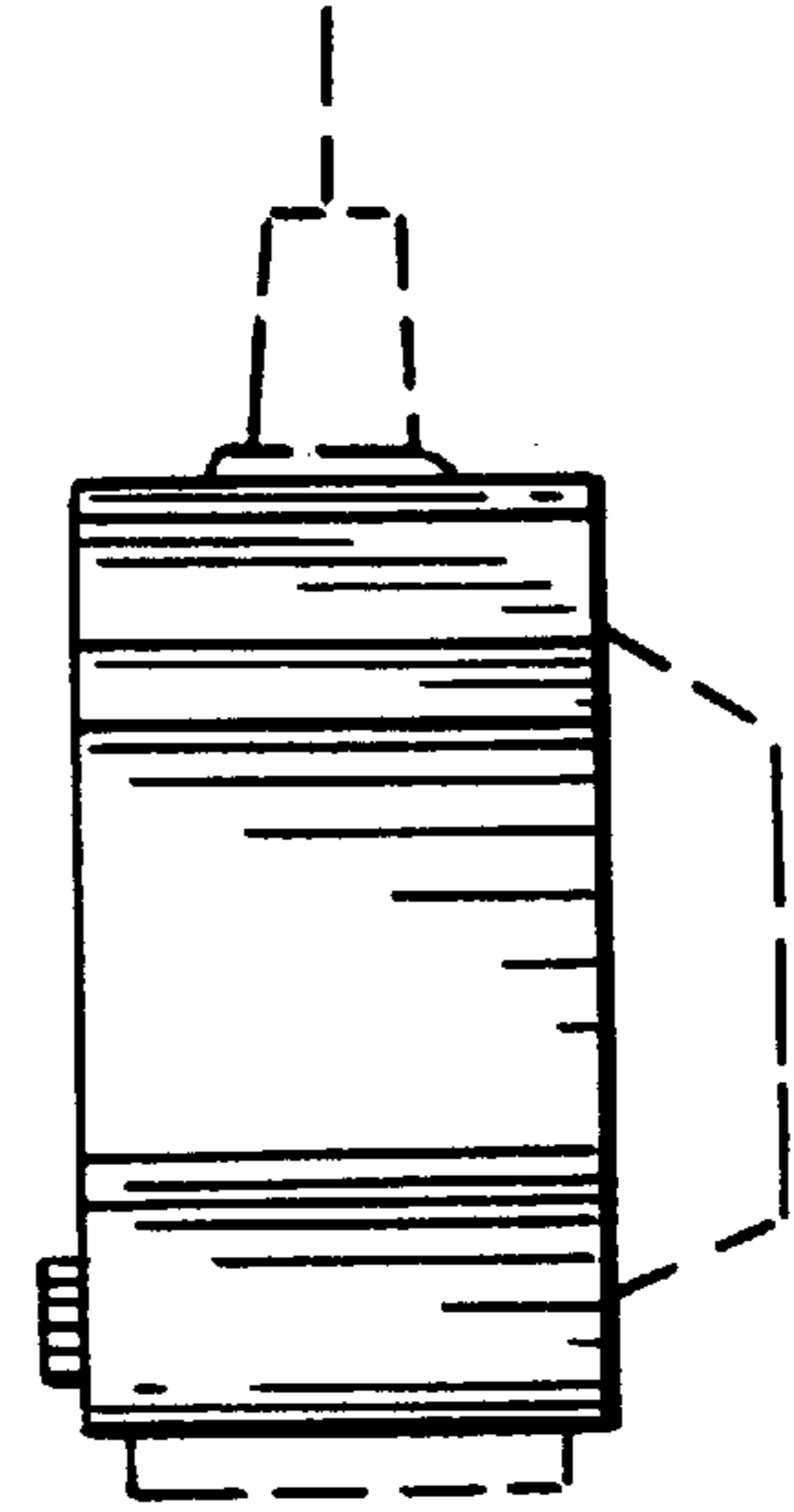


FIG. 14

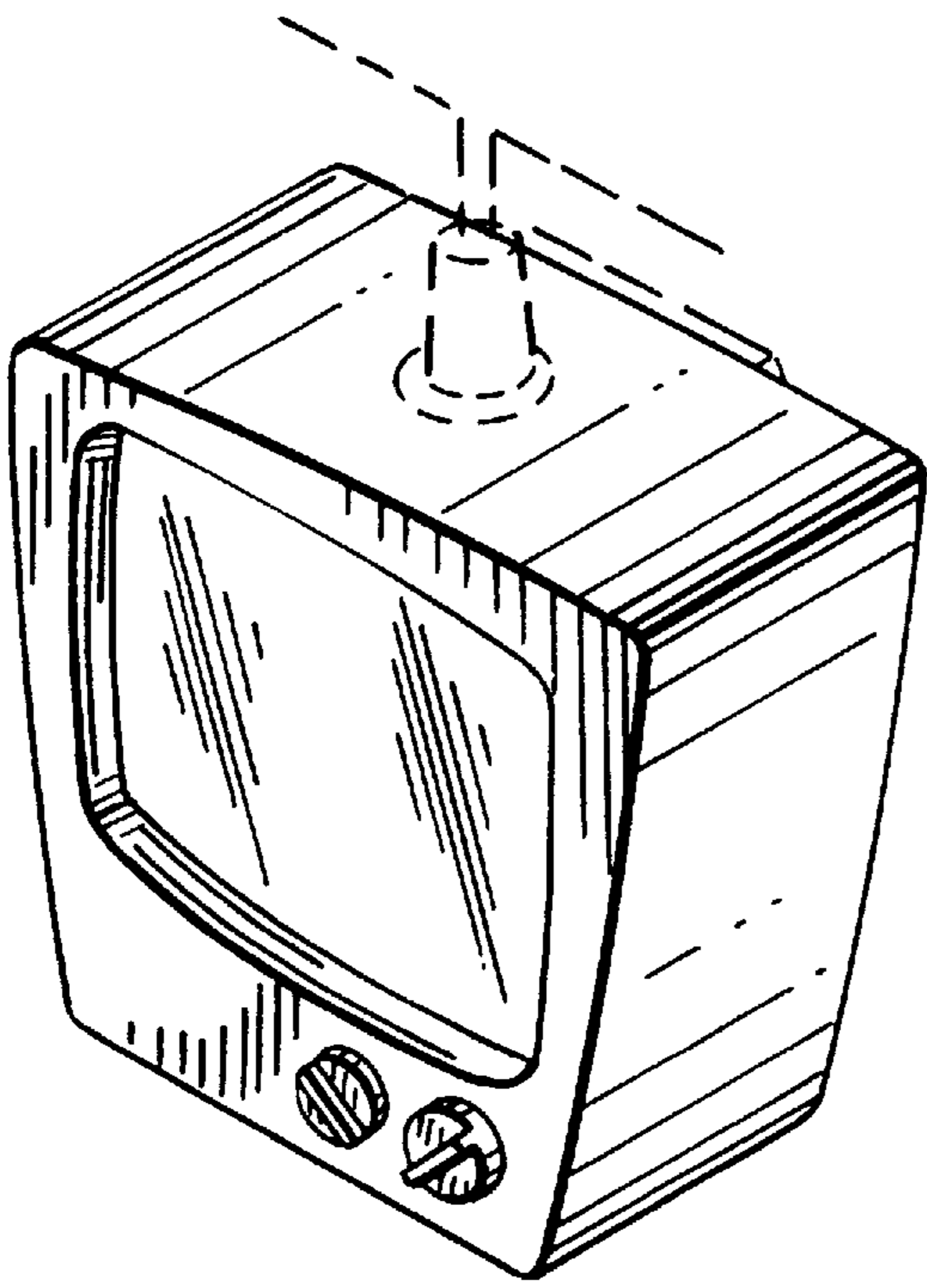


FIG. 15

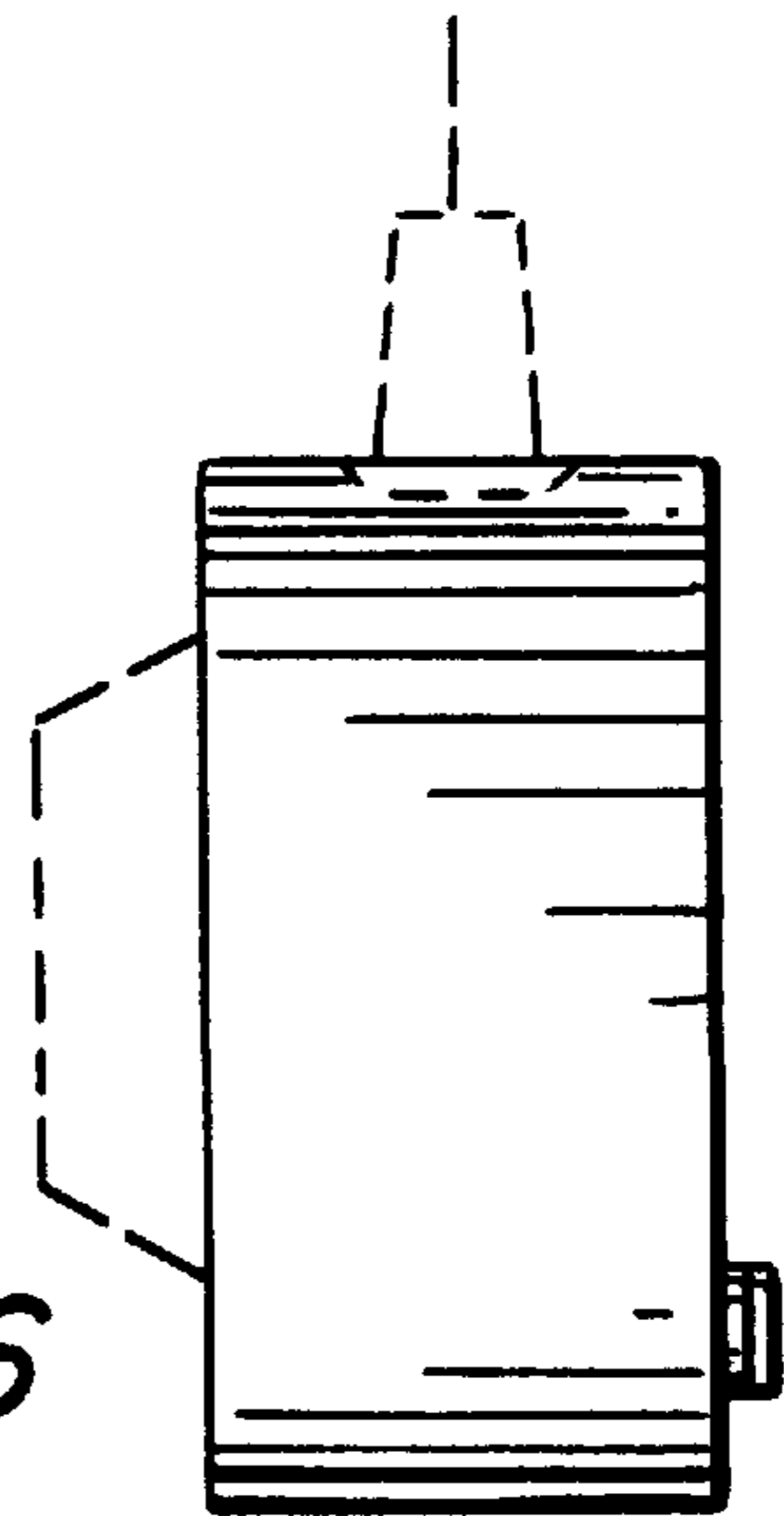


FIG. 16