



US00D404833S

# United States Patent [19]

Secor et al.

[11] **Patent Number: Des. 404,833**

[45] **Date of Patent: \*\*Jan. 26, 1999**

[54] **IMPACT BUMPER**

3,664,075 5/1972 Hazlewood et al. .... 52/173.2  
4,750,299 6/1988 Frommelt et al. .... 52/2.13

[75] Inventors: **Thomas E. Secor**, Willard; **James E. Morrow**, Monroeville, both of Ohio

*Primary Examiner*—Doris Clark  
*Attorney, Agent, or Firm*—Porter, Wright, Morris, & Arthur

[73] Assignee: **Durable Corporation**, Norwalk, Ohio

[\*\*] Term: **14 Years**

[57] **CLAIM**

The ornamental design for an impact bumper, as shown.

[21] Appl. No.: **68,614**

**DESCRIPTION**

[22] Filed: **Apr. 3, 1997**

[51] **LOC (6) Cl.** ..... **25-02**

[52] **U.S. Cl.** ..... **D25/35**

[58] **Field of Search** ..... 52/2.12, 2.13,  
52/2.19, 2.22, 173.2; D25/35, 60, 199,  
138; 14/71.5; D12/167, 169

FIG. 1: perspective view of the impact bumper of the present invention;

FIG. 2: front view of the impact bumper of the present invention. The rear view is a mirror image of the front view; and,

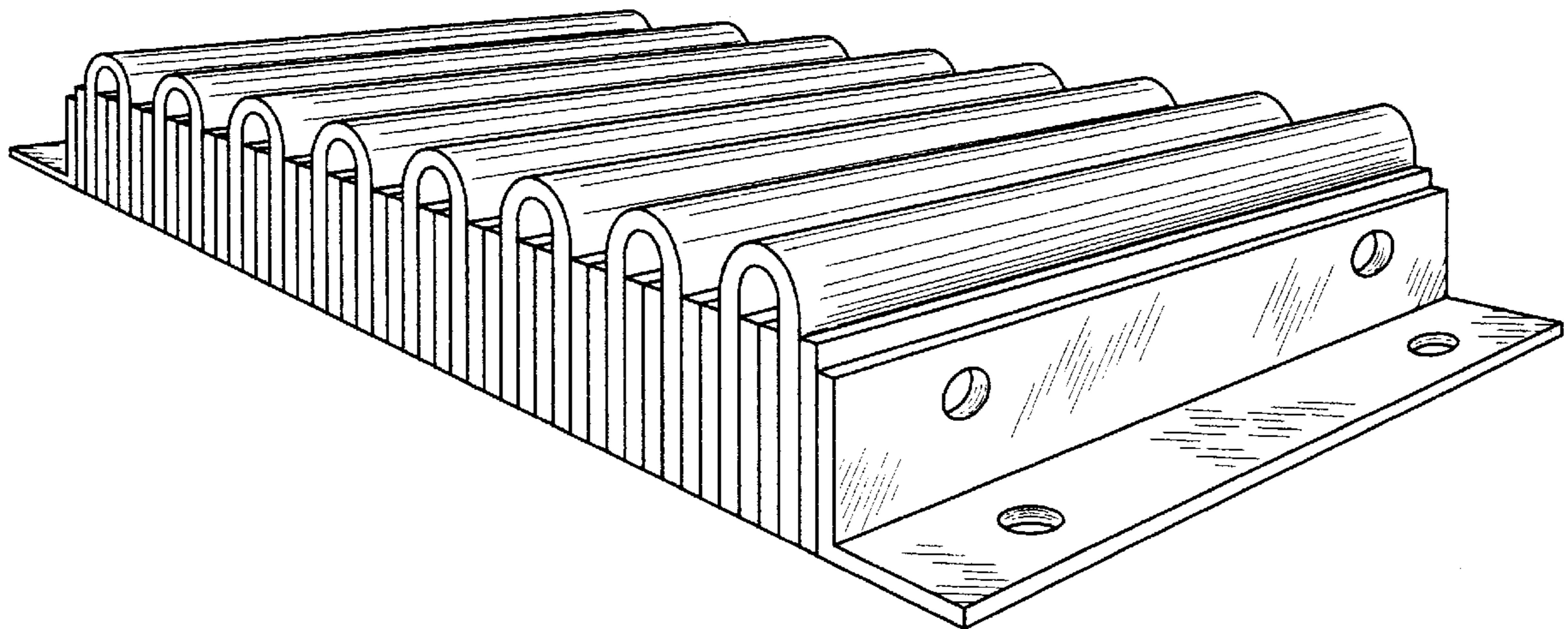
FIG. 3: top view of the vehicle impact bumper of the present invention. The bottom view is flat and unadorned.

[56] **References Cited**

**U.S. PATENT DOCUMENTS**

D. 310,125 8/1990 Moore ..... D25/35

**1 Claim, 3 Drawing Sheets**



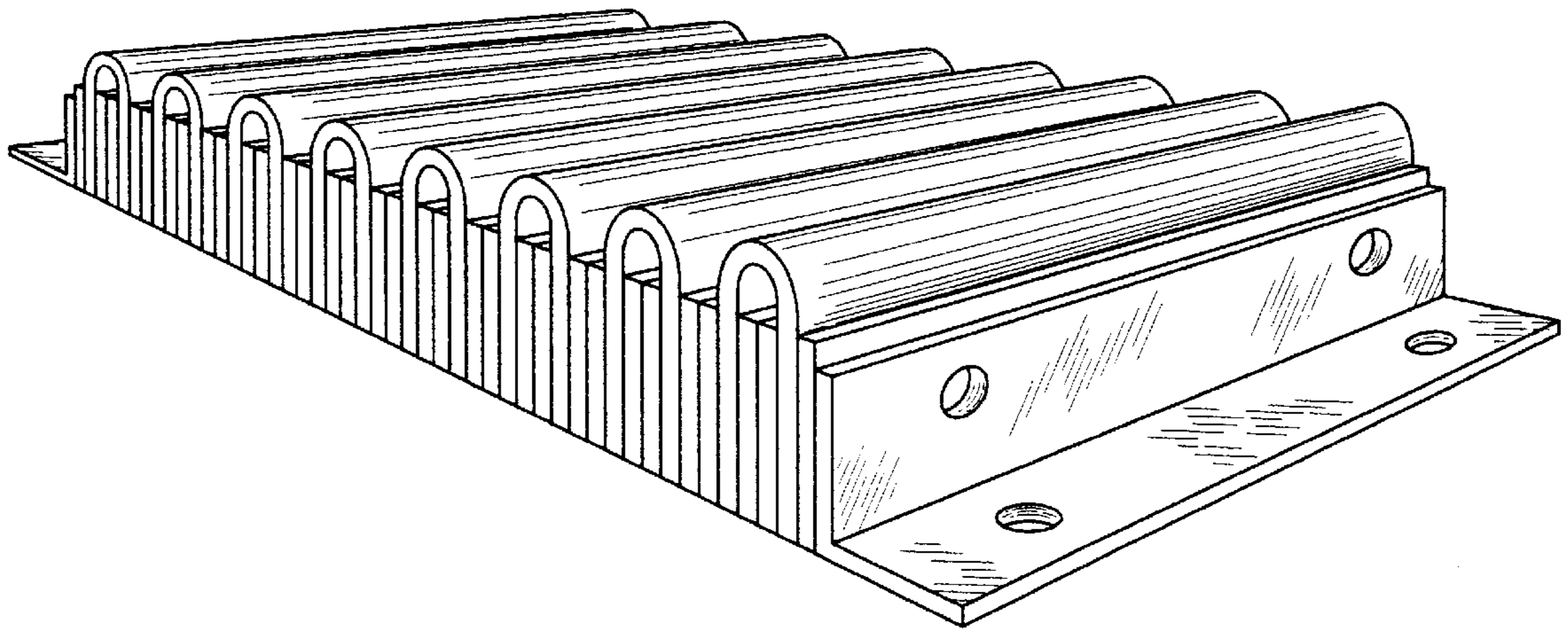


FIG. 1

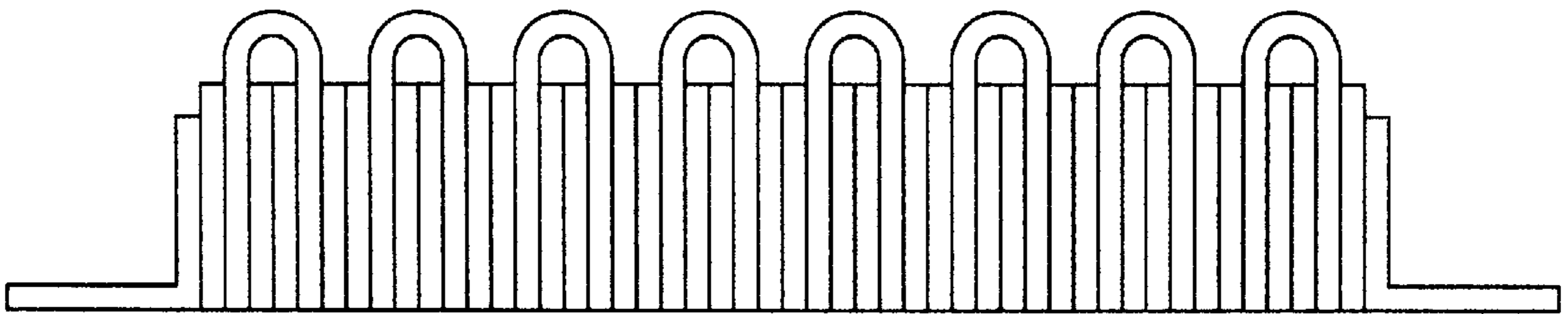


FIG. 2

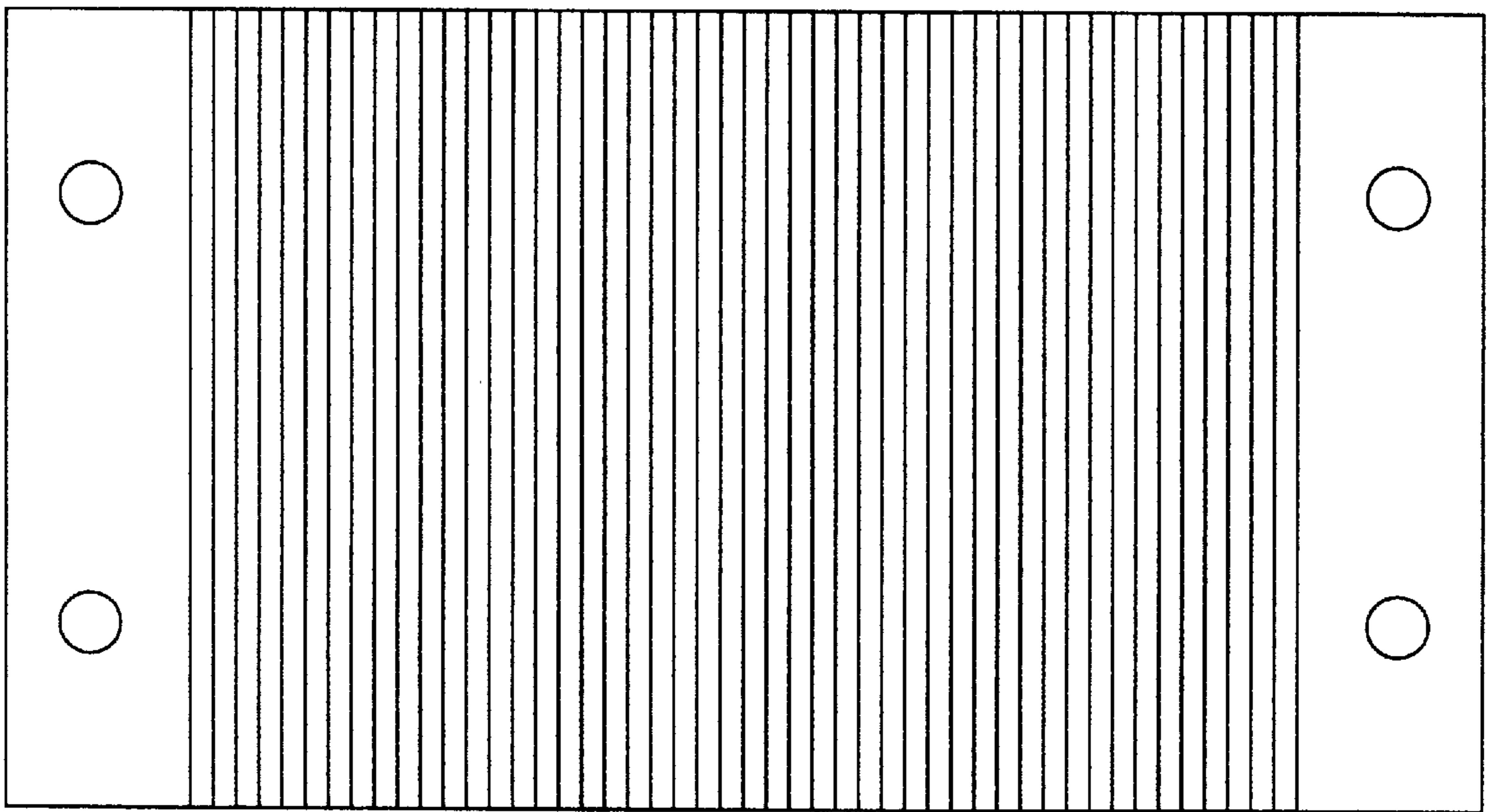


FIG. 3.