



US00D404832S

# United States Patent [19]

**Laskey et al.**

[11] **Patent Number: Des. 404,832**

[45] **Date of Patent: \*\*Jan. 26, 1999**

[54] **COVER FOR A CONTAINER**

5,005,721 4/1991 Jordan ..... 422/102  
5,035,861 7/1991 Grandone ..... 422/64

[75] Inventors: **James R. Laskey**, Chestertown, Md.;  
**Chris Robinson**, Lawrenceville, N.J.;  
**William M. Jameson**, Cranbury, N.J.;  
**Robert L. Berger**, Bound Brook, N.J.;  
**Andrew Oakes**, Harrington Park, N.J.;  
**Randolph Bradshaw**, Brewster, N.Y.;  
**Nicholae Dumitrescu**, Stamford, Conn.

*Primary Examiner*—Louis S. Zarfaz  
*Assistant Examiner*—G. Andoll  
*Attorney, Agent, or Firm*—Rodman & Rodman; Andrew L. Klawitter

[73] Assignee: **Bayer Corporation**, Tarrytown, N.Y.

[\*\*] Term: **14 Years**

[57] **CLAIM**

The ornamental design for a cover for a container, as shown and described.

[21] Appl. No.: **80,243**

[22] Filed: **Dec. 5, 1997**

**DESCRIPTION**

[51] **LOC (6) Cl.** ..... **24-04**

[52] **U.S. Cl.** ..... **D24/231; D24/224; D24/216**

[58] **Field of Search** ..... D24/224, 129.128,  
D24/231; D9/455, 517, 435, 439; 220/523,  
526, 801, 805; 422/102, 104, 64

FIG. 1 is a front perspective view of a cover showing our new design;  
FIG. 2 is a front elevational view thereof, the opposite side elevational view being a mirror image of that shown;  
FIG. 3 is a top plan view thereof;  
FIG. 4 is a bottom plan view thereof;  
FIG. 5 is a left-end view thereof; and,  
FIG. 6 is a right end view thereof.

[56] **References Cited**

**U.S. PATENT DOCUMENTS**

4,993,584 2/1991 Macario ..... 220/523

**1 Claim, 4 Drawing Sheets**

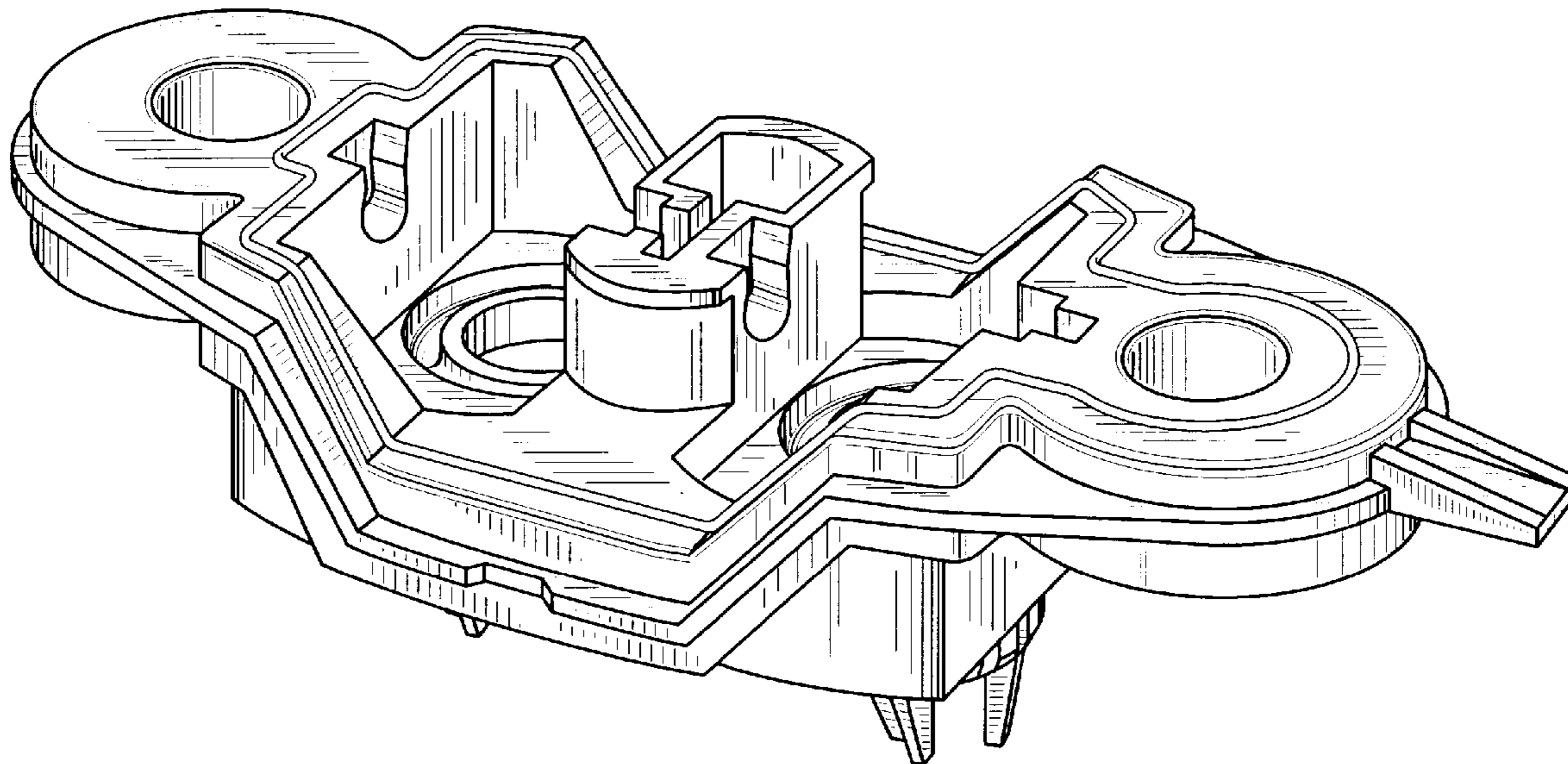


FIG. 1

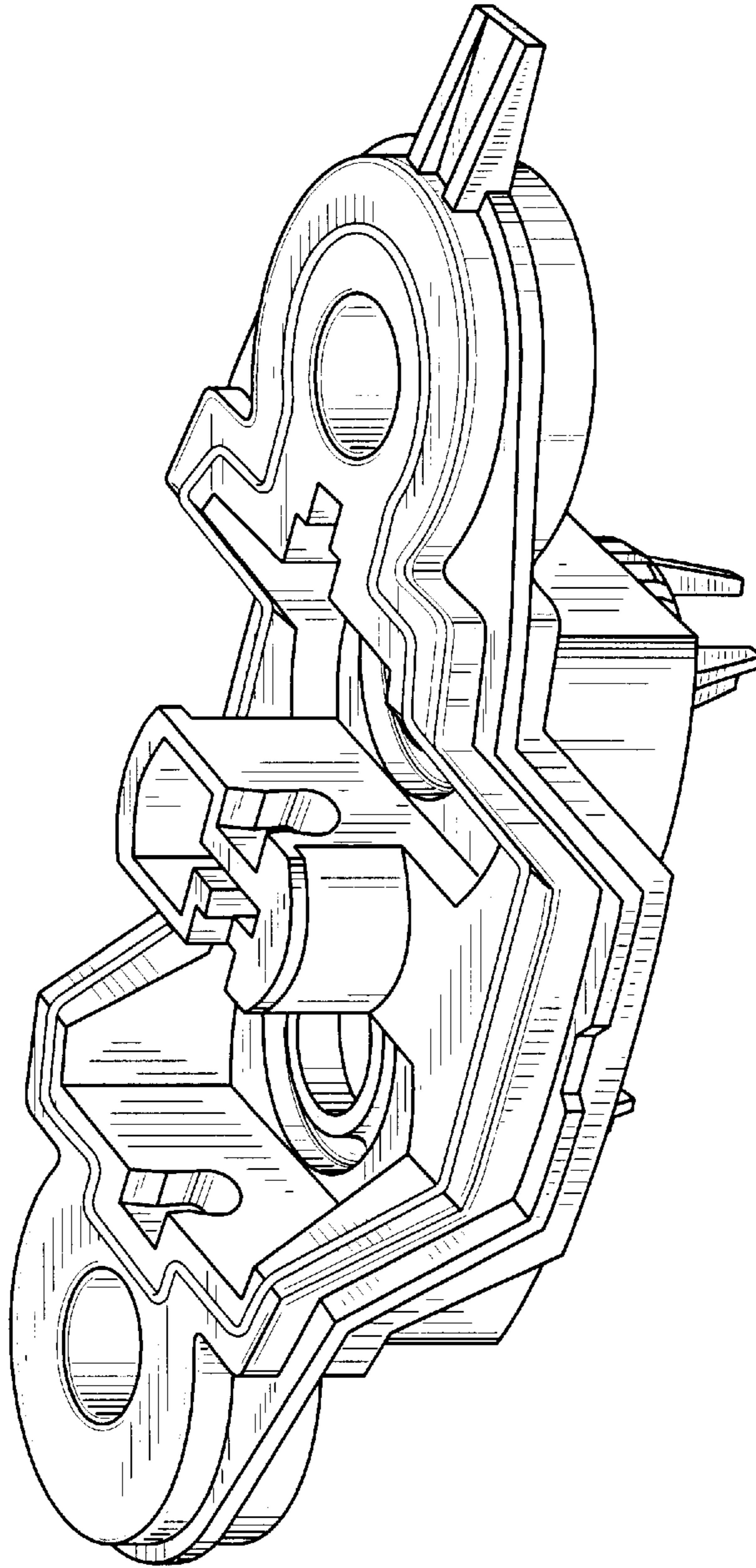


FIG. 2

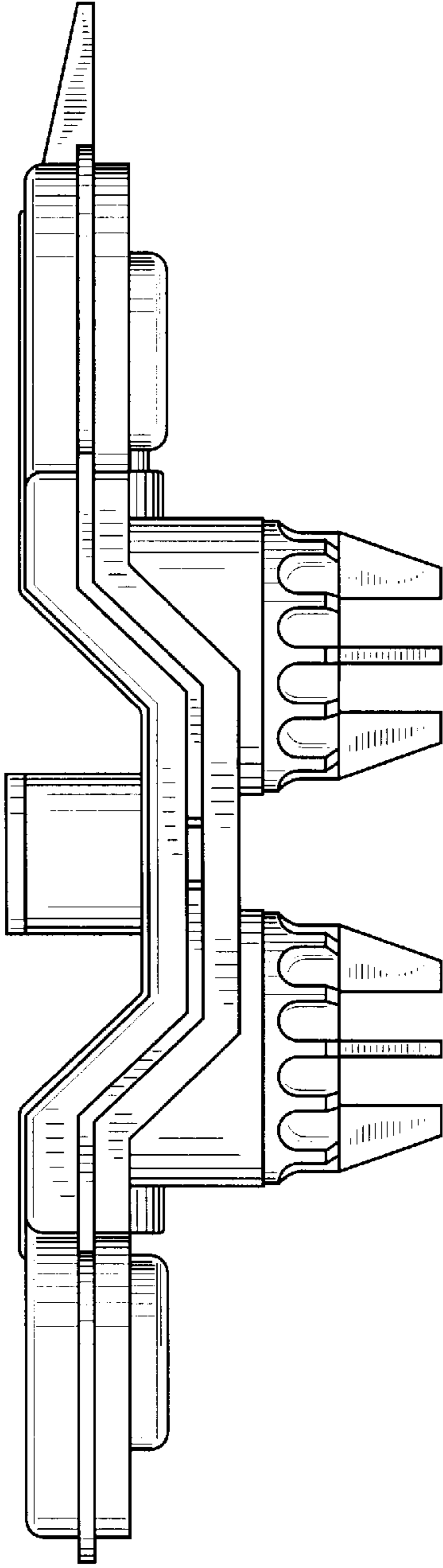


FIG. 3

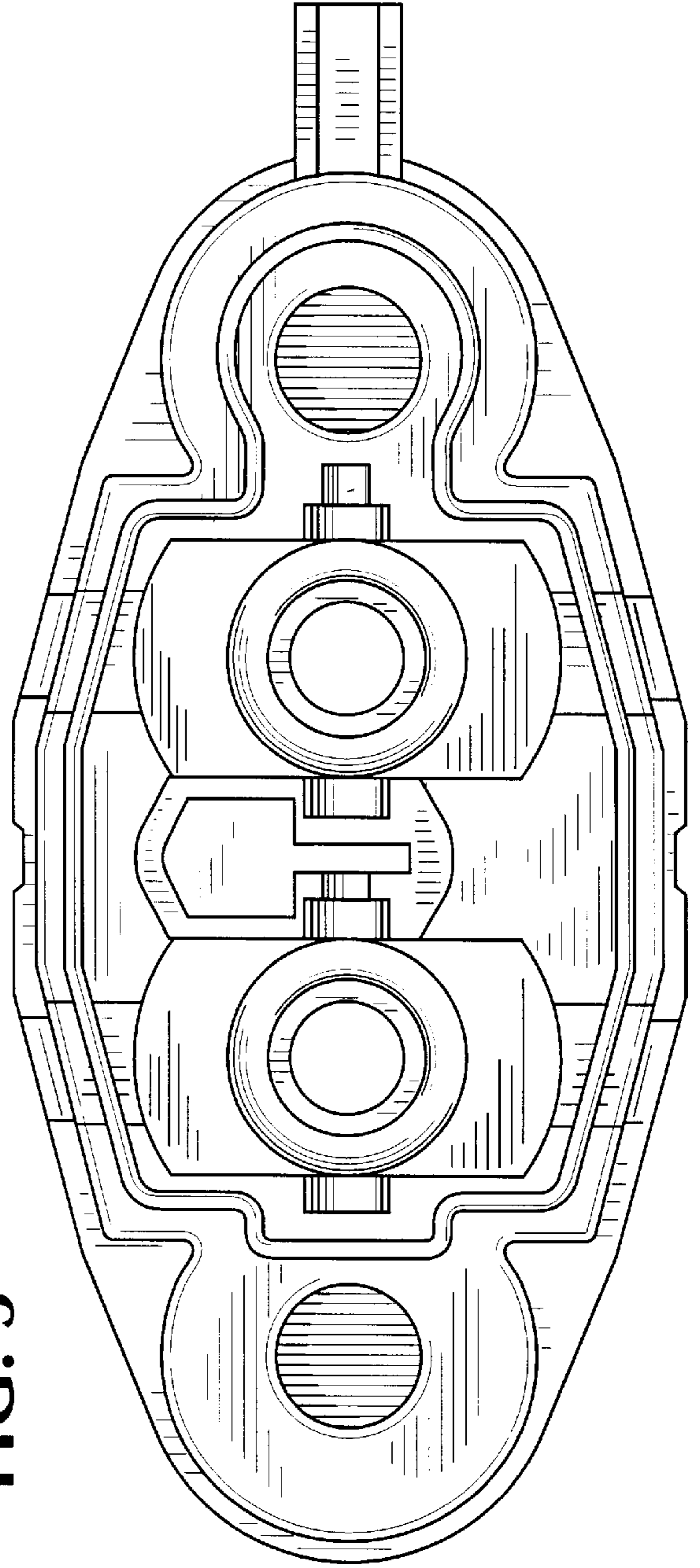


FIG. 4

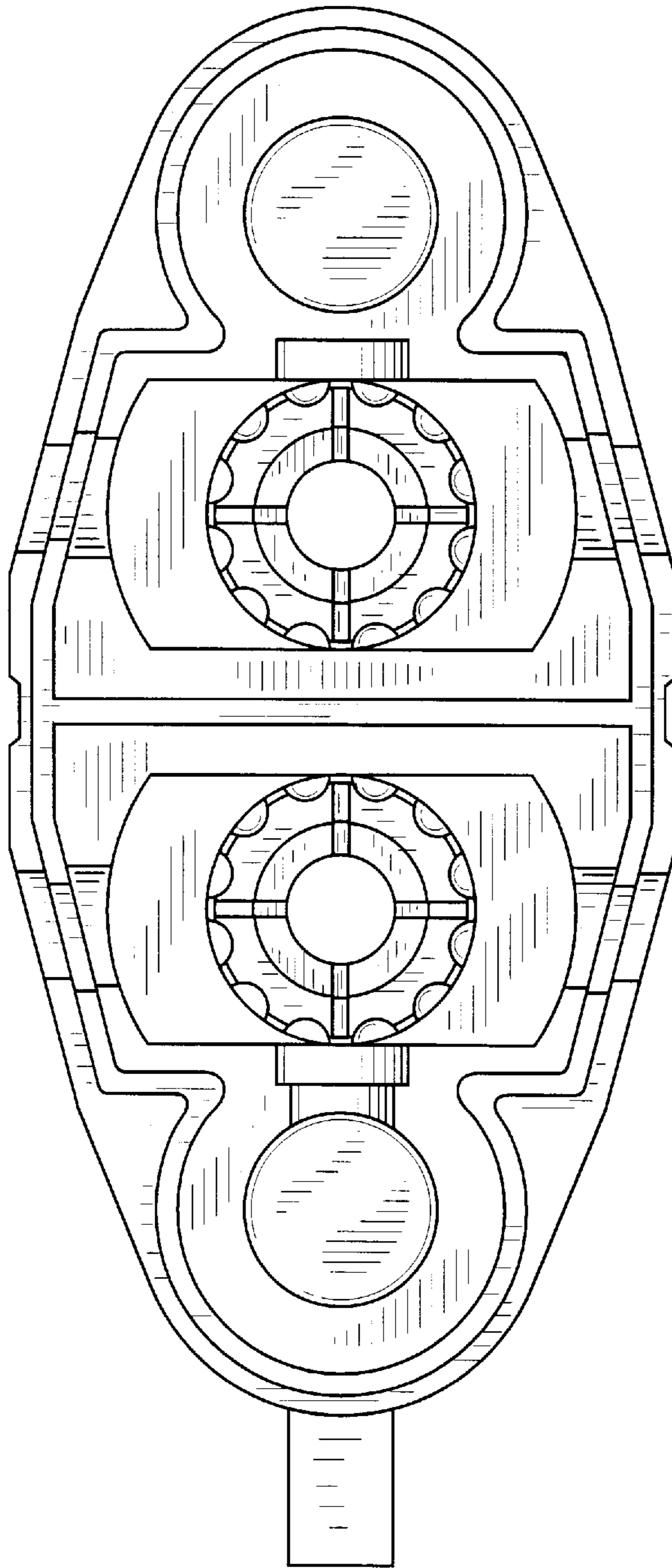


FIG. 5

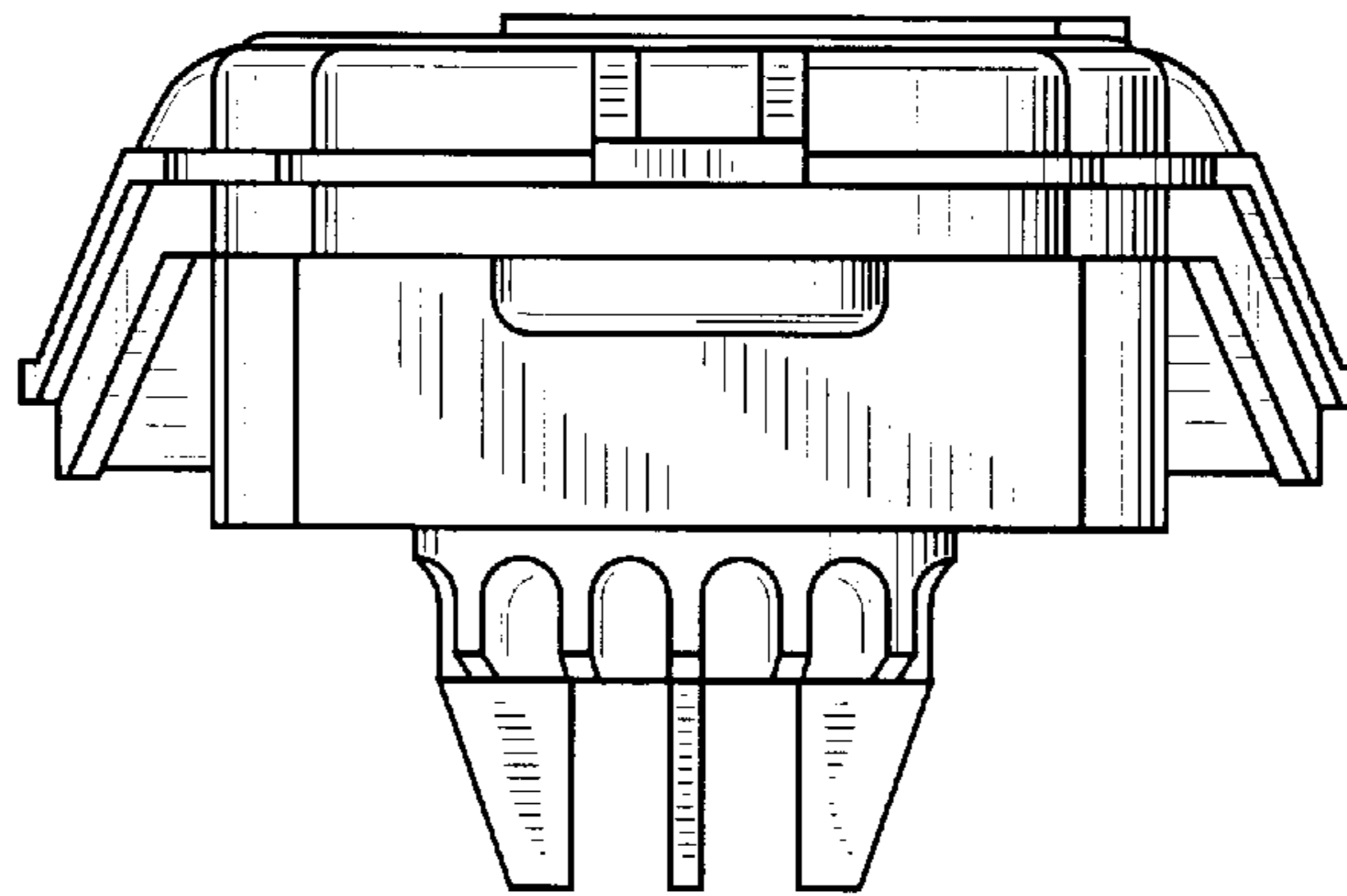


FIG. 6

