



US00D404830S

United States Patent [19]

Childs et al.

[11] Patent Number: Des. 404,830

[45] Date of Patent: **Jan. 26, 1999

[54] MULTI-SIDED MEDICAL DIAGNOSTIC TEST DEVICE

[75] Inventors: **Mary Ann Childs**, Baltimore; **Thomas He**, Ellicott City; **Greg K. Shipman**, Catonsville, all of Md.; **William Trainor**, Hillsboro Beach, Fla.; **Erick Gray**, Columbia, Md.; **Mohammad Afzal Chowdhury**, Columbia, Md.; **Joseph A. McClintock**, Baltimore, Md.; **David Bernstein**, Eldersburg, Md.

[73] Assignee: **Universal Healthwatch, Inc.**, Columbia, Md.

[**] Term: **14 Years**

[21] Appl. No.: **65,444**

[22] Filed: **Nov. 19, 1996**

[51] LOC (6) Cl. **24-02**

[52] U.S. Cl. **D24/224**

[58] Field of Search D24/140, 133, D24/127, 128, 101, 224; 436/518, 165, 48; 422/55, 56, 58, 61, 63, 65, 68.1; 128/771; 604/318, 404, 317; D28/8.1

[56] References Cited

U.S. PATENT DOCUMENTS

D. 59,910	12/1921	Noble	D24/101	X
D. 225,627	12/1972	Gomel et al.	D24/101	
D. 334,420	3/1993	Gladfelter et al.	D24/101	X
D. 337,637	7/1993	Tucker	D24/133	
D. 375,549	11/1996	Sauer	D24/101	
5,429,804	7/1995	Sayles	422/58	
5,434,083	7/1995	Mitsumaki et al.	436/48	
5,501,837	3/1996	Sayles	422/58	
5,591,401	1/1997	Sayles	422/58	
5,728,587	3/1998	Kang et a l.	436/518	

Primary Examiner—Pamela Burgess
Attorney, Agent, or Firm—Foley & Lardner

[57] CLAIM

The ornamental design for an multi-sided medical diagnostic testing device, as shown and described.

DESCRIPTION

FIG. 1 is a top perspective view of a six-sided embodiment of the multi-sided medical diagnostic test device, showing our new design;

FIG. 2 is a front elevation thereof, the back being a mirror image thereof;

FIG. 3 is a side elevation thereof, the opposite side being a mirror image thereof;

FIG. 4 is a bottom plan view thereof;

FIG. 5 is a top plan view thereof;

FIG. 6 is a top perspective view of a seven-sided embodiment of the multi-sided medical diagnostic test device;

FIG. 7 is a side elevation thereof, the opposite side being a mirror image thereof;

FIG. 8 is a front elevation thereof;

FIG. 9 is a back elevation thereof;

FIG. 10 is a bottom plan view thereof;

FIG. 11 is a top plan view thereof;

FIG. 12 is a top perspective view of an eight-sided embodiment of the multi-sided medical diagnostic test device;

FIG. 13 is a front elevation thereof, the sides and back being mirror images thereof;

FIG. 14 is a bottom plan view thereof;

FIG. 15 is a top plan view thereof;

FIG. 16 is a top perspective view of a nine-sided embodiment of the multi-sided medical diagnostic test device;

FIG. 17 is a front elevation thereof;

FIG. 18 is a side elevation thereof, the opposite side being a mirror image thereof;

FIG. 19 is a back elevation thereof;

FIG. 20 is a bottom plan view thereof;

FIG. 21 is a top plan view thereof;

FIG. 22 is a top perspective view of a ten-sided embodiment of the multi-sided medical diagnostic test device;

FIG. 23 is a front elevation thereof, the back being a mirror image thereof;

FIG. 24 is a side elevation thereof, the opposite side being a mirror image thereof;

FIG. 25 is a bottom plan view thereof;

FIG. 26 is a top plan view thereof;

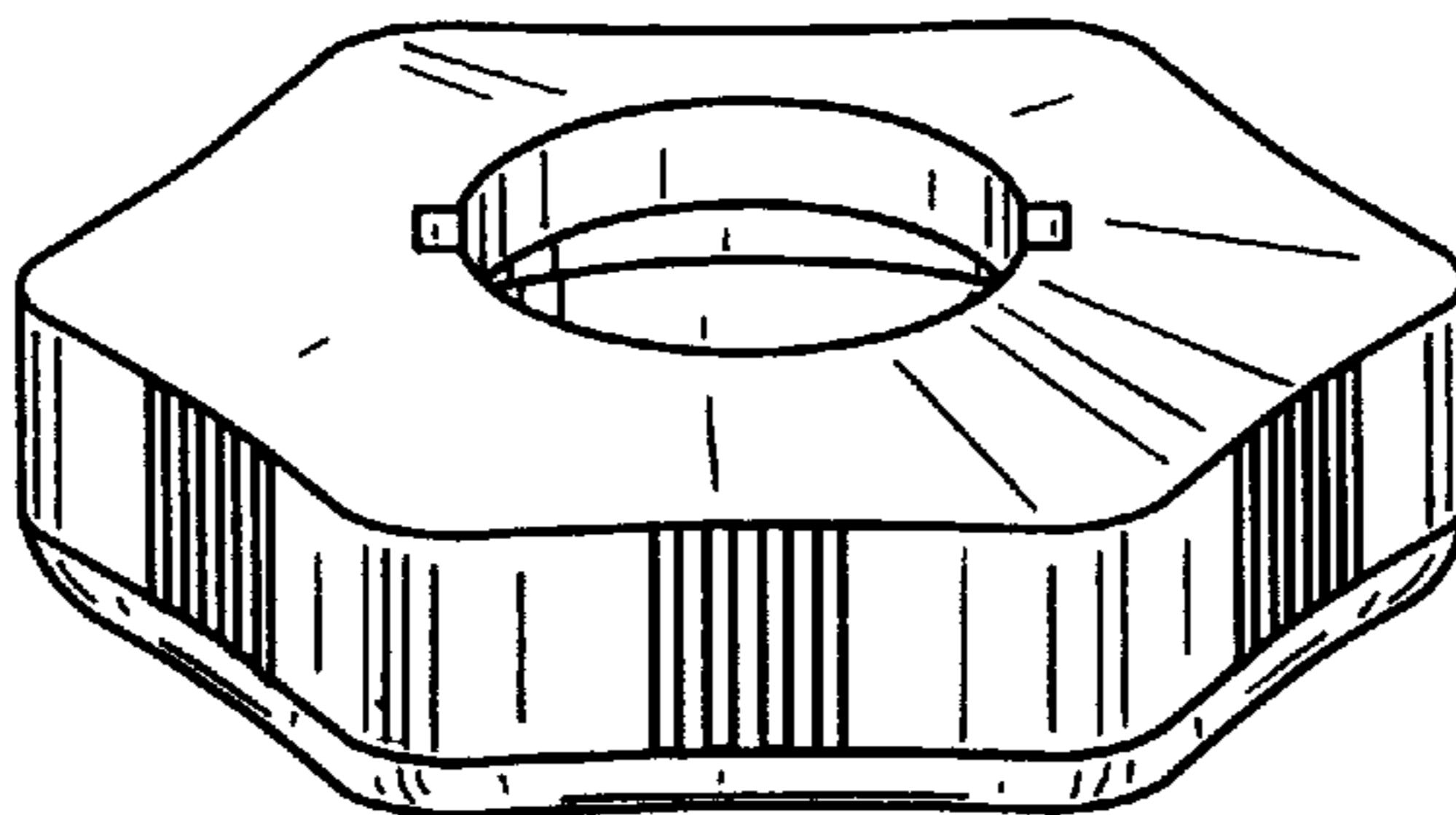


FIG. 27 is a top perspective view of an eleven-sided embodiment of the multi-sided medical diagnostic test device;
FIG. 28 is a front elevation thereof;
FIG. 29 is a side elevation thereof, the opposite side being a mirror image thereof;
FIG. 30 is a back elevation thereof;
FIG. 31 is a bottom plan view thereof;
FIG. 32 is a top plan view thereof;

FIG. 33 is a top perspective view of a twelve-sided embodiment of the multi-sided medical diagnostic test device;
FIG. 34 is a front elevation thereof, the sides and back being a mirror image thereof;
FIG. 35 is a bottom plan view thereof; and,
FIG. 36 is a top plan view thereof.

1 Claim, 7 Drawing Sheets

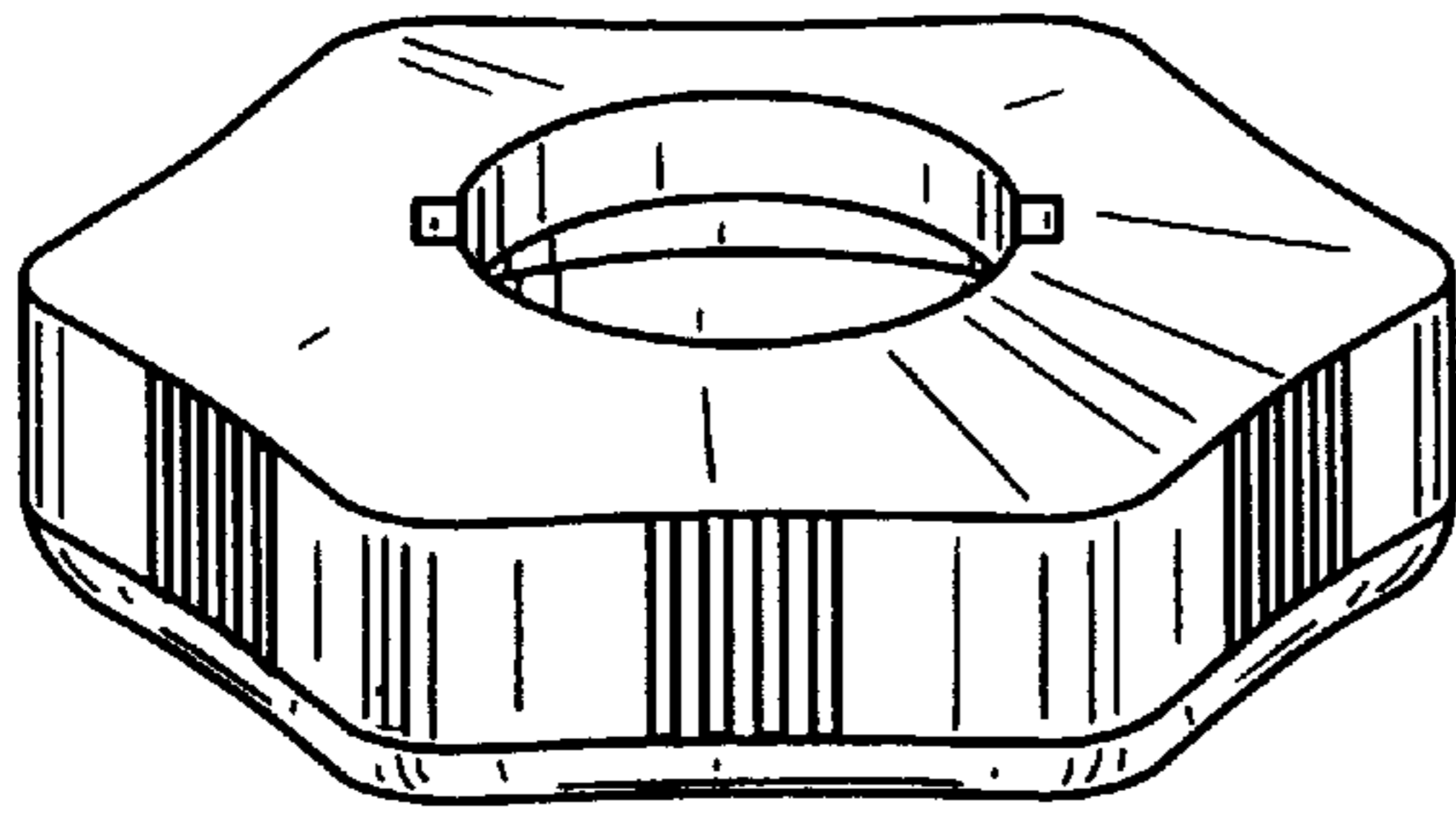


FIG. 1

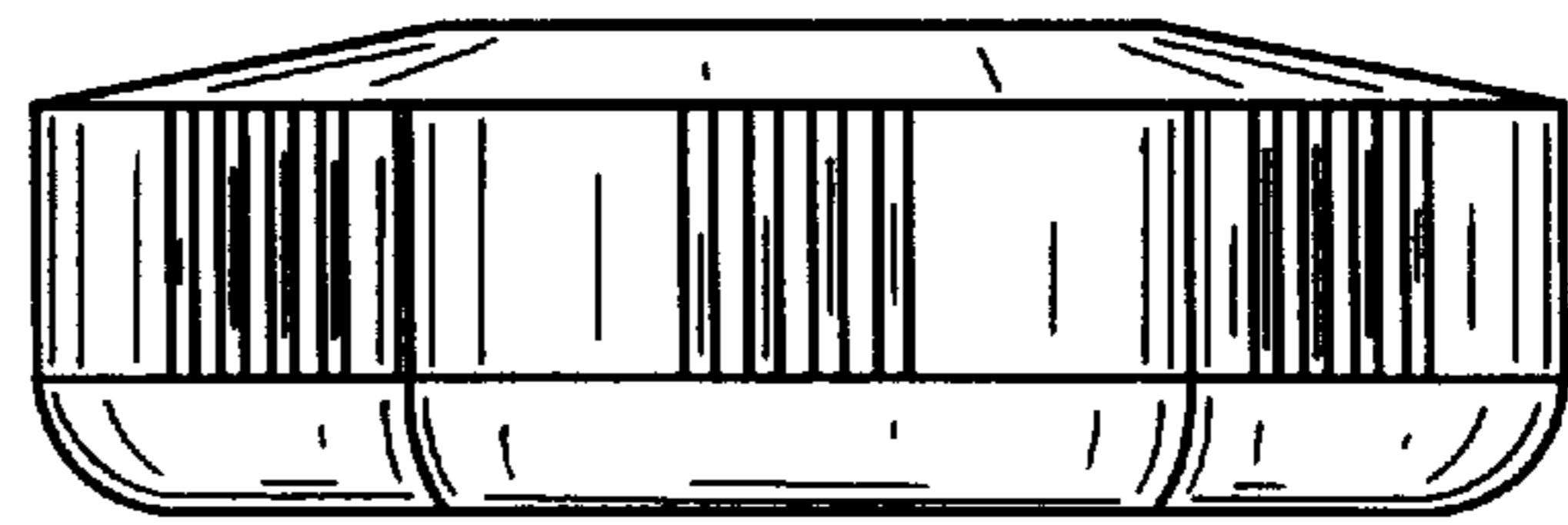


FIG. 2

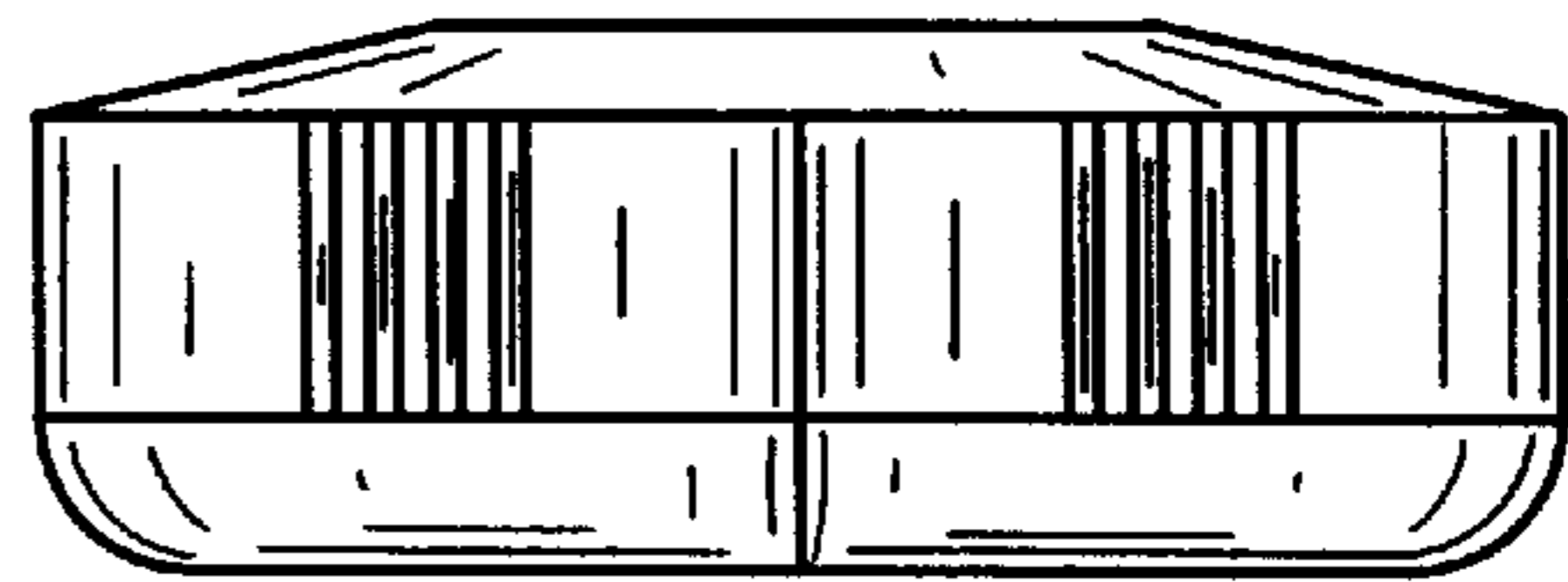


FIG. 3

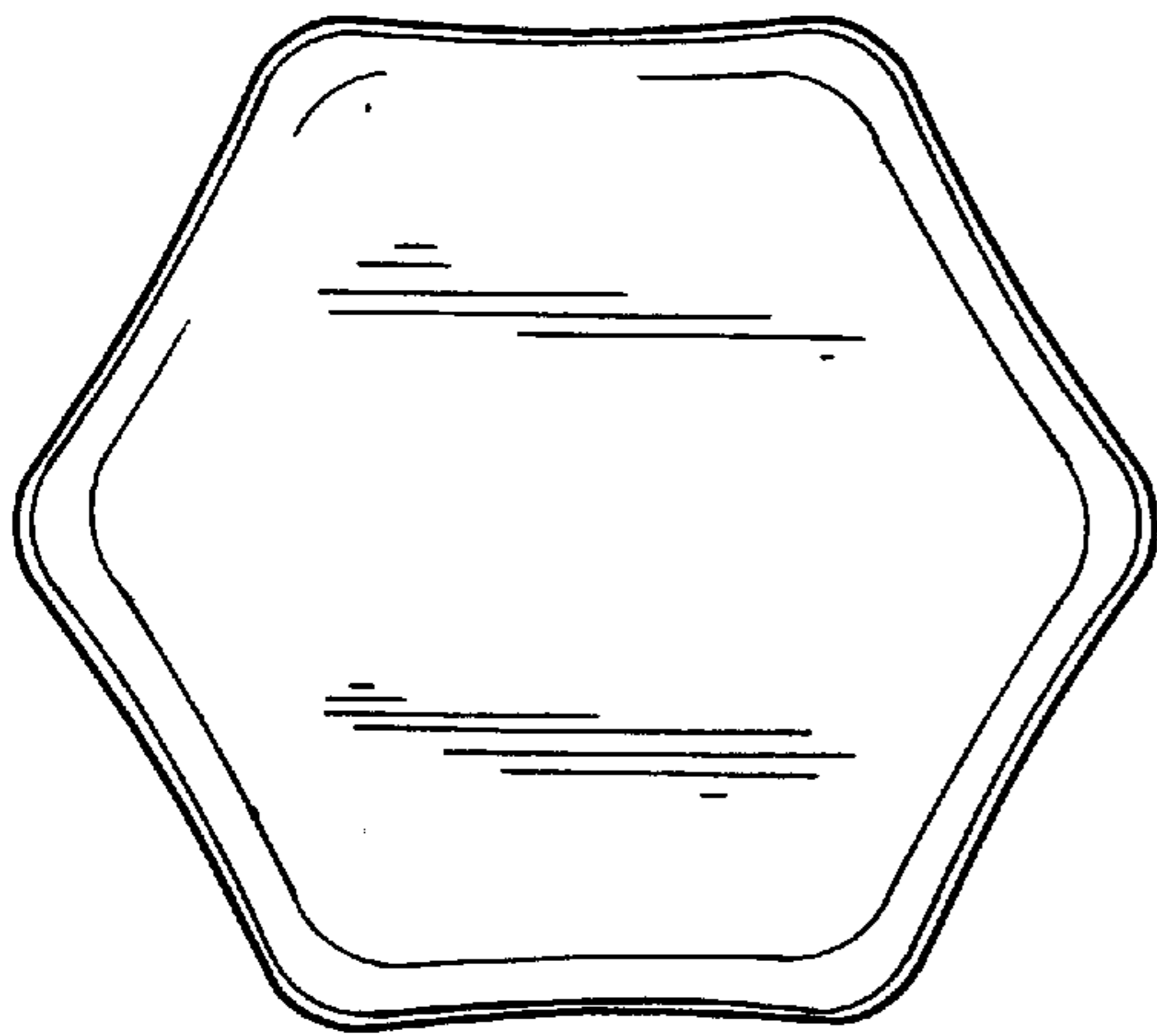
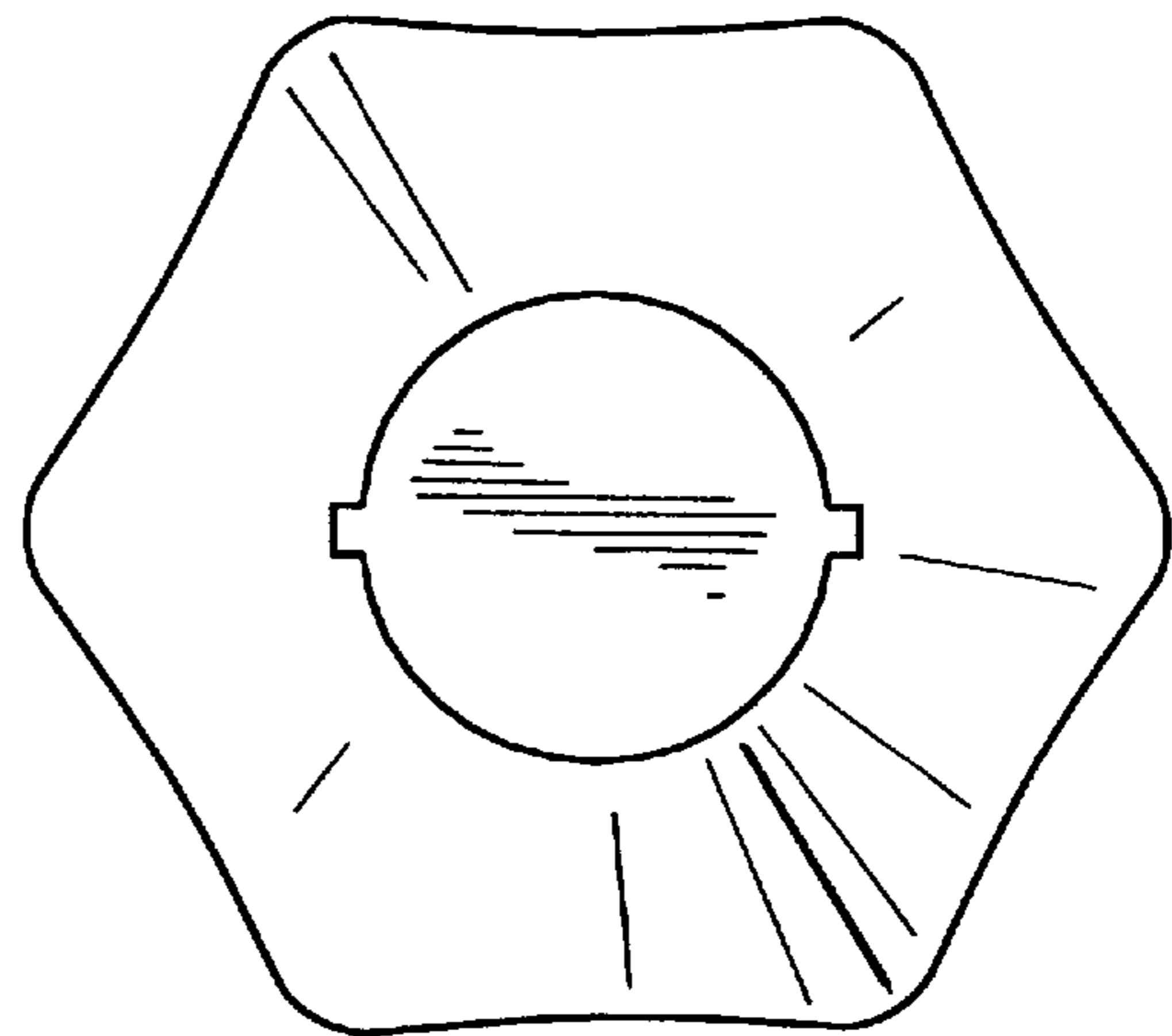


FIG. 4

FIG. 5



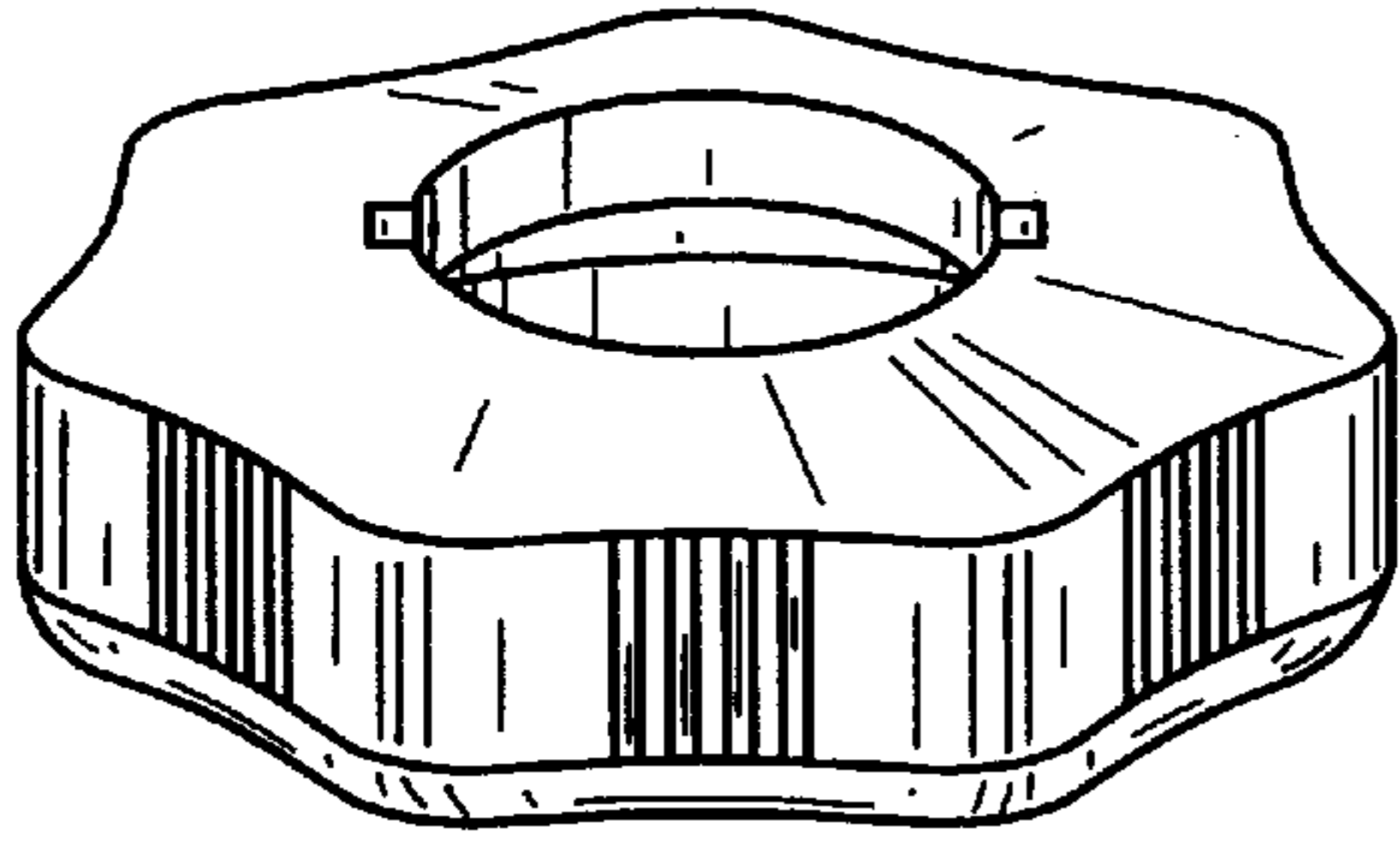


FIG. 6

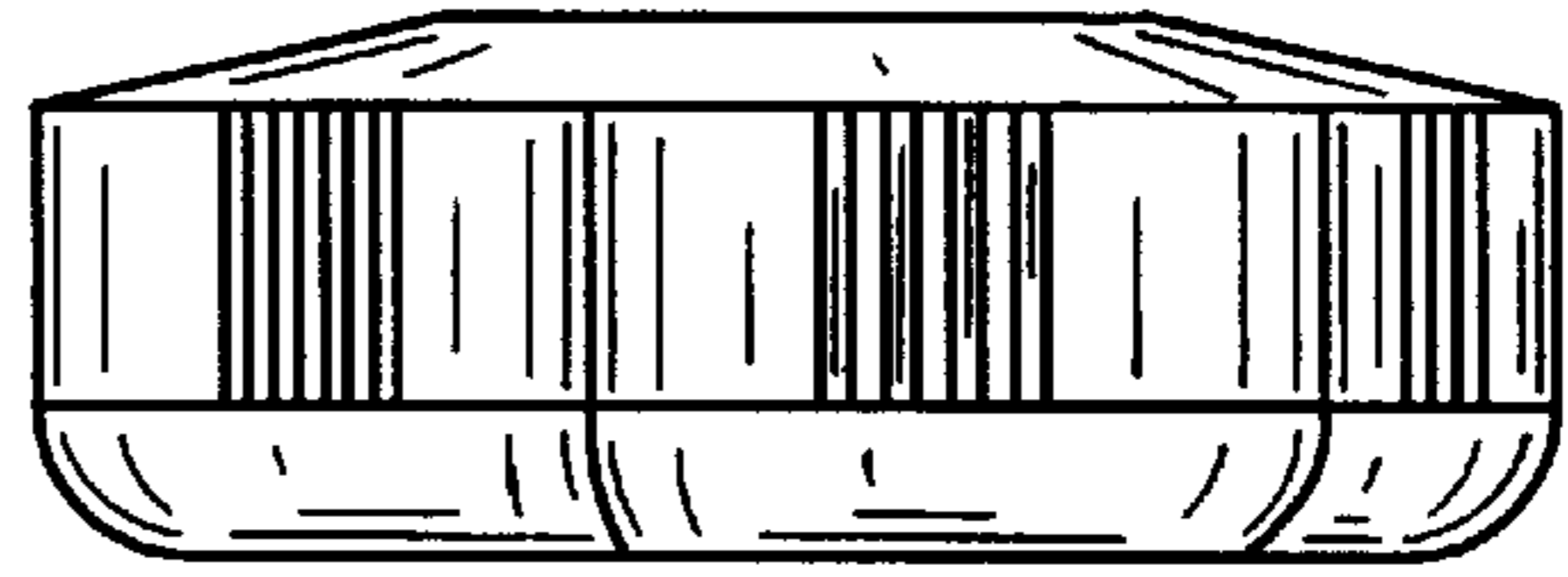


FIG. 7

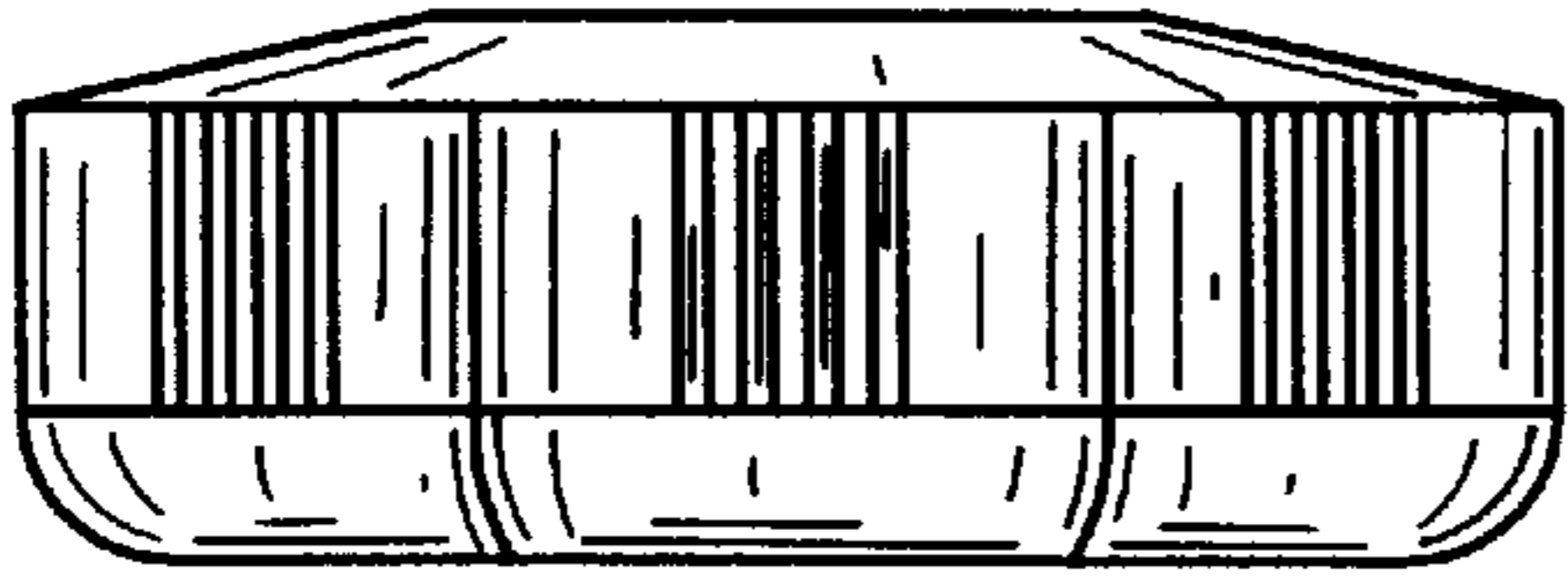


FIG. 8

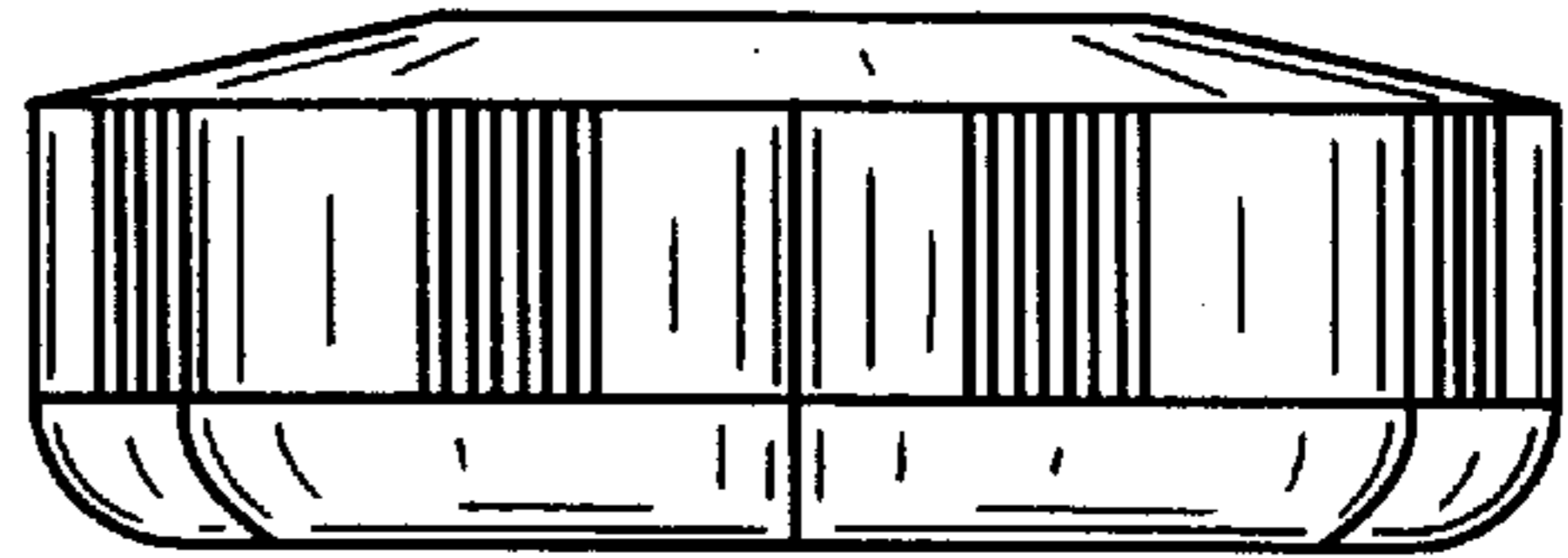


FIG. 9

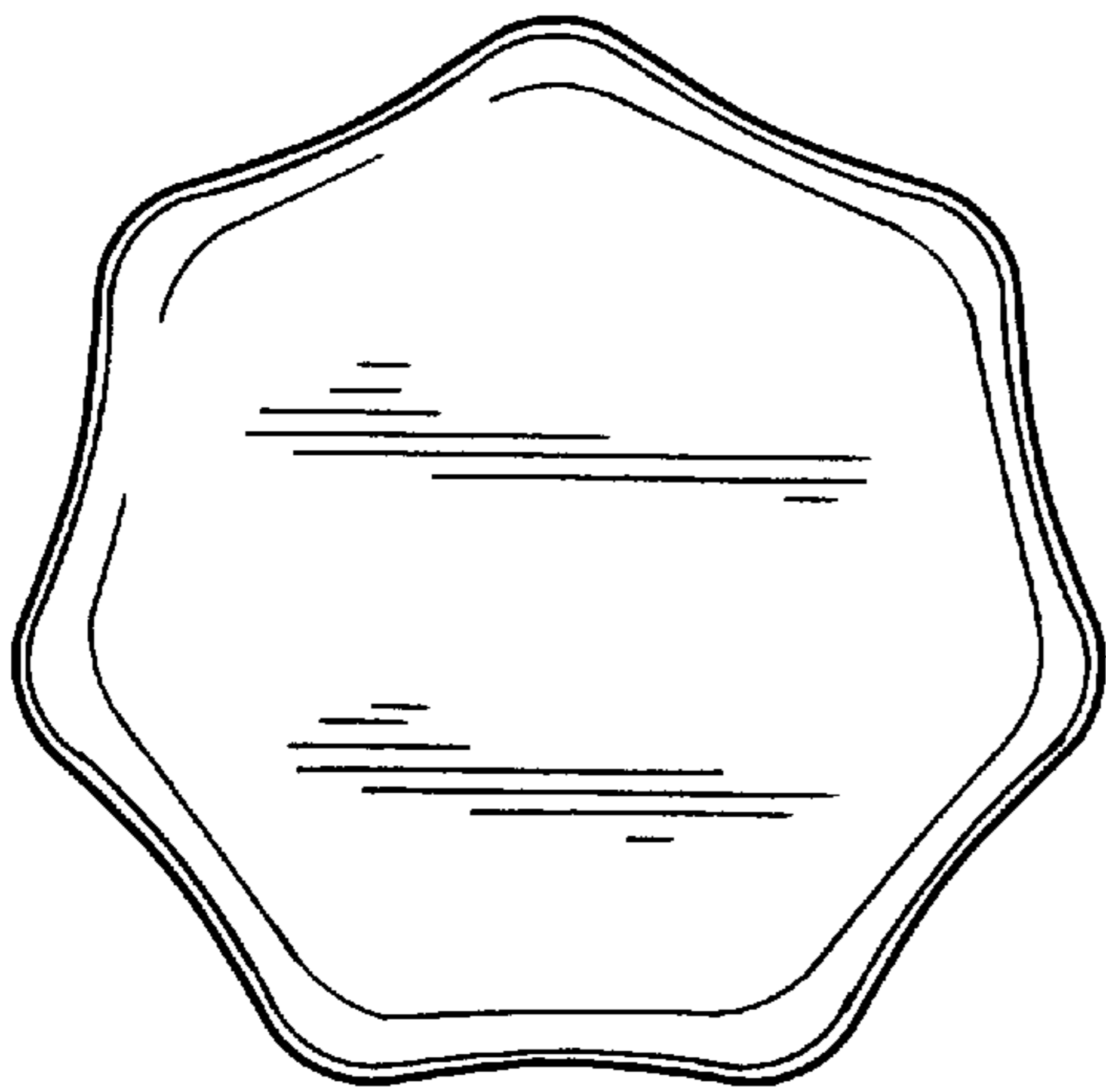


FIG. 10

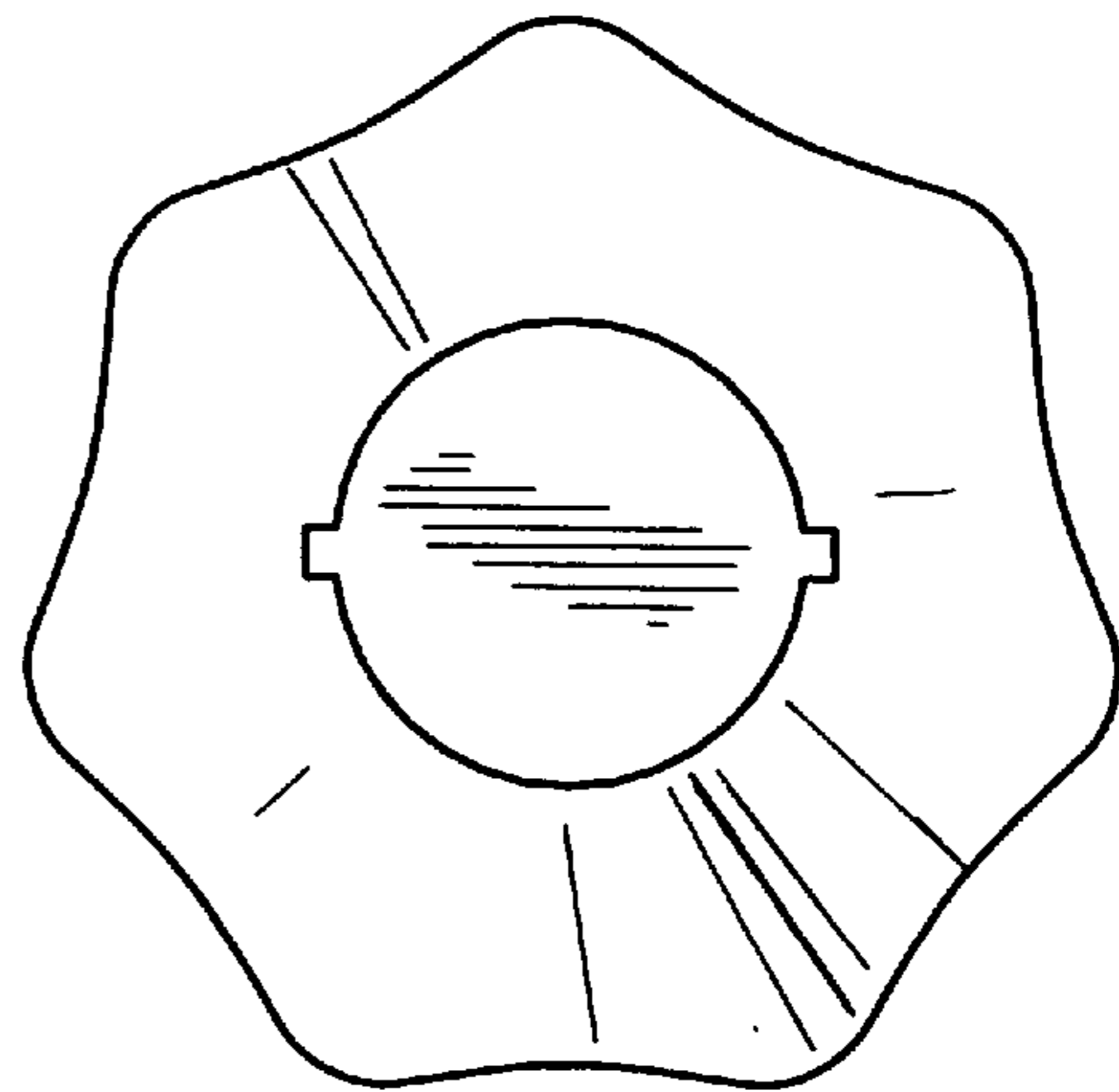


FIG. 11

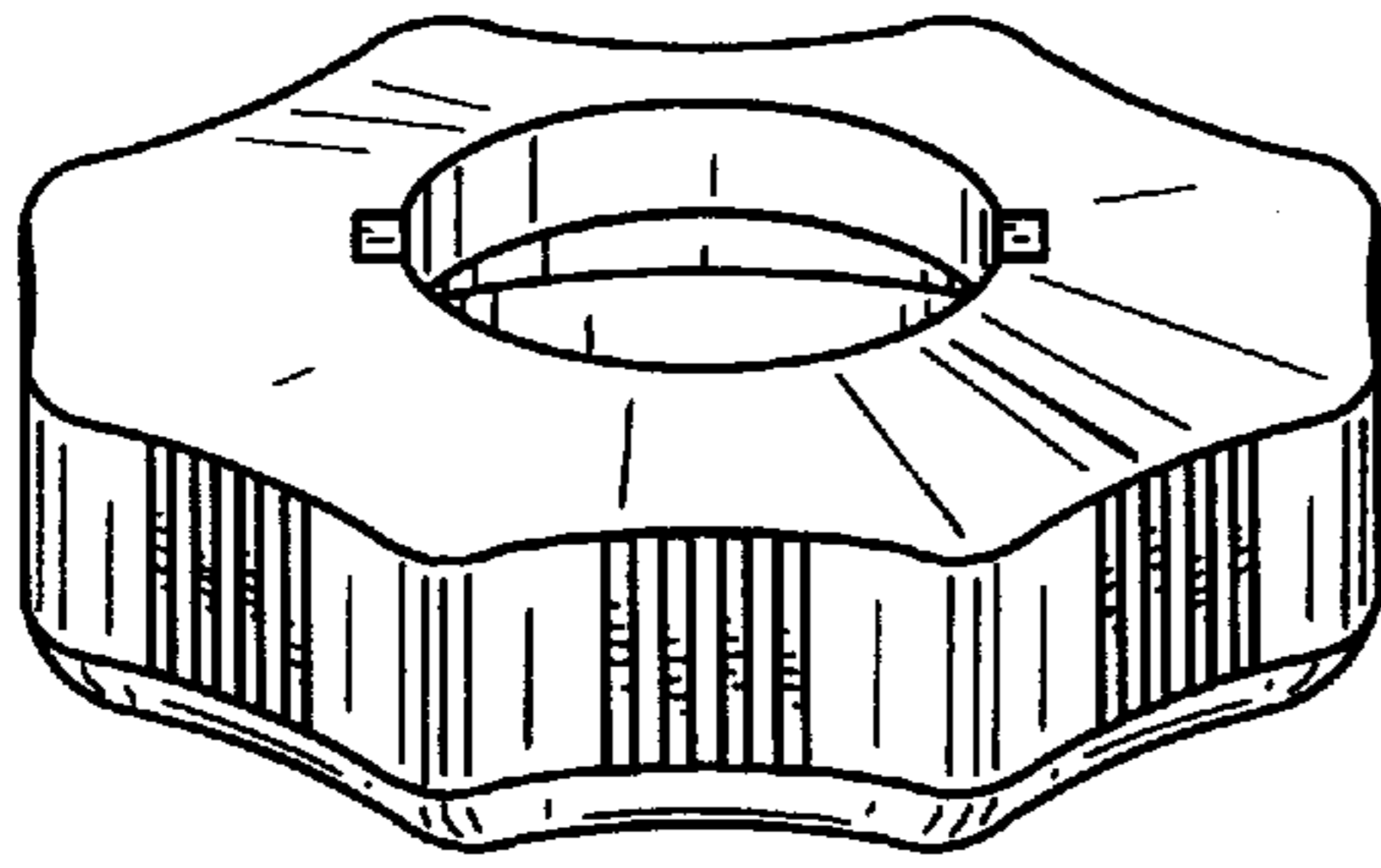


FIG. 12

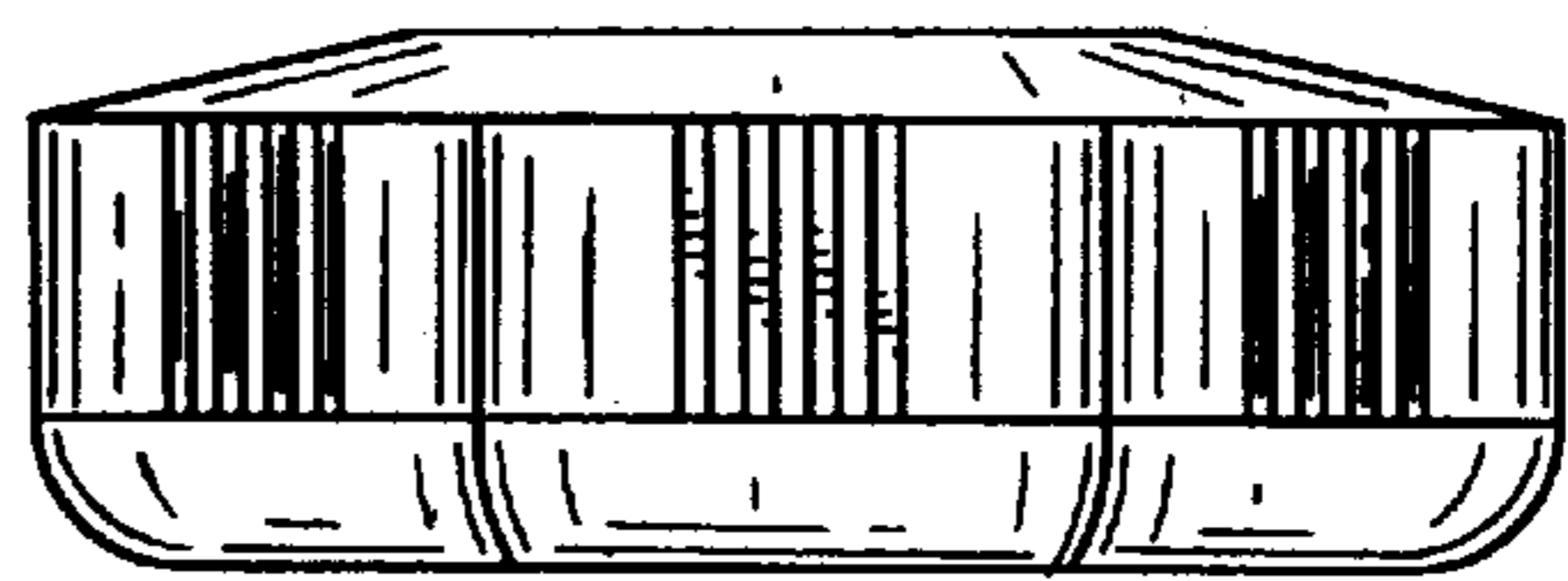


FIG. 13

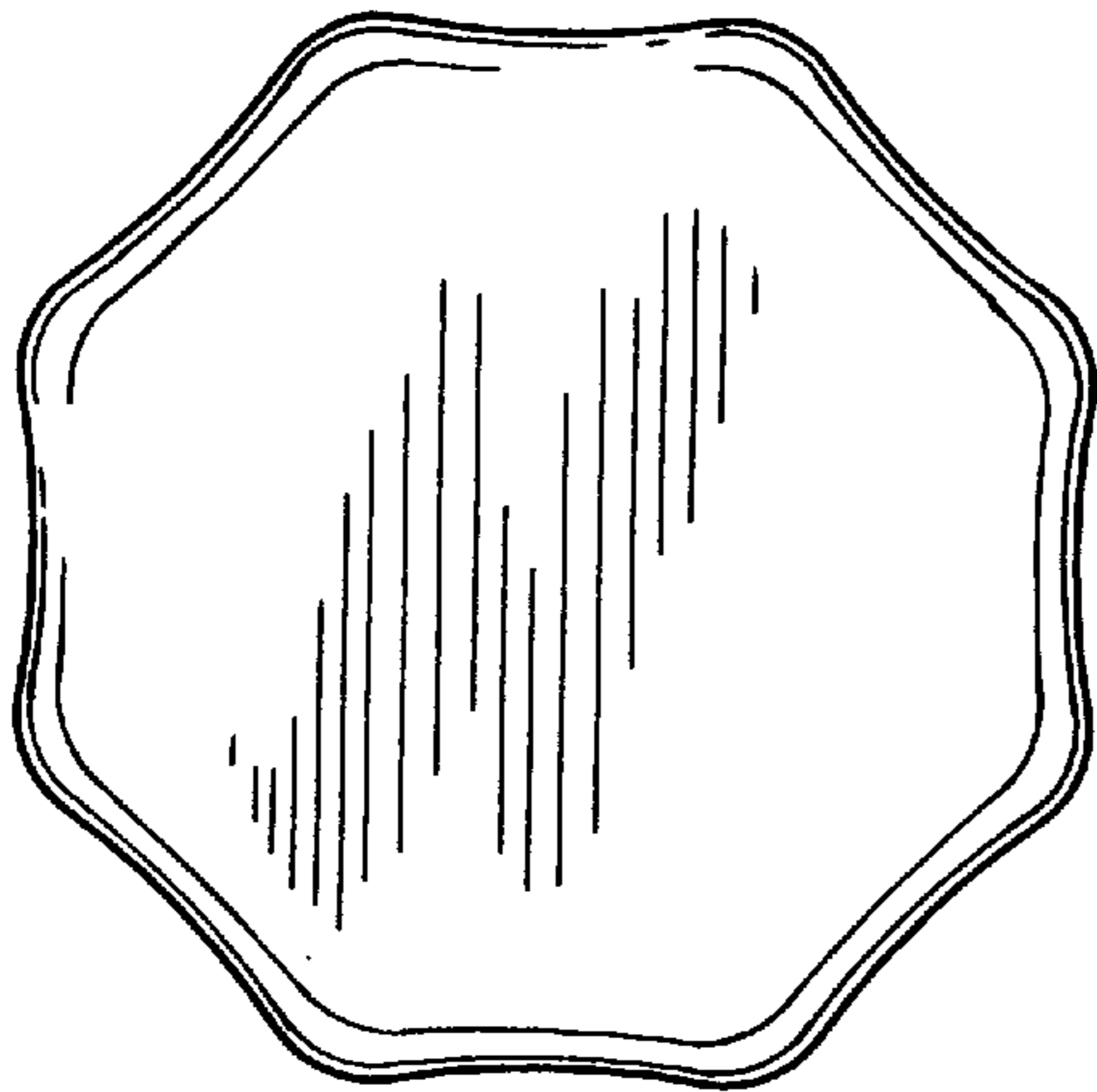
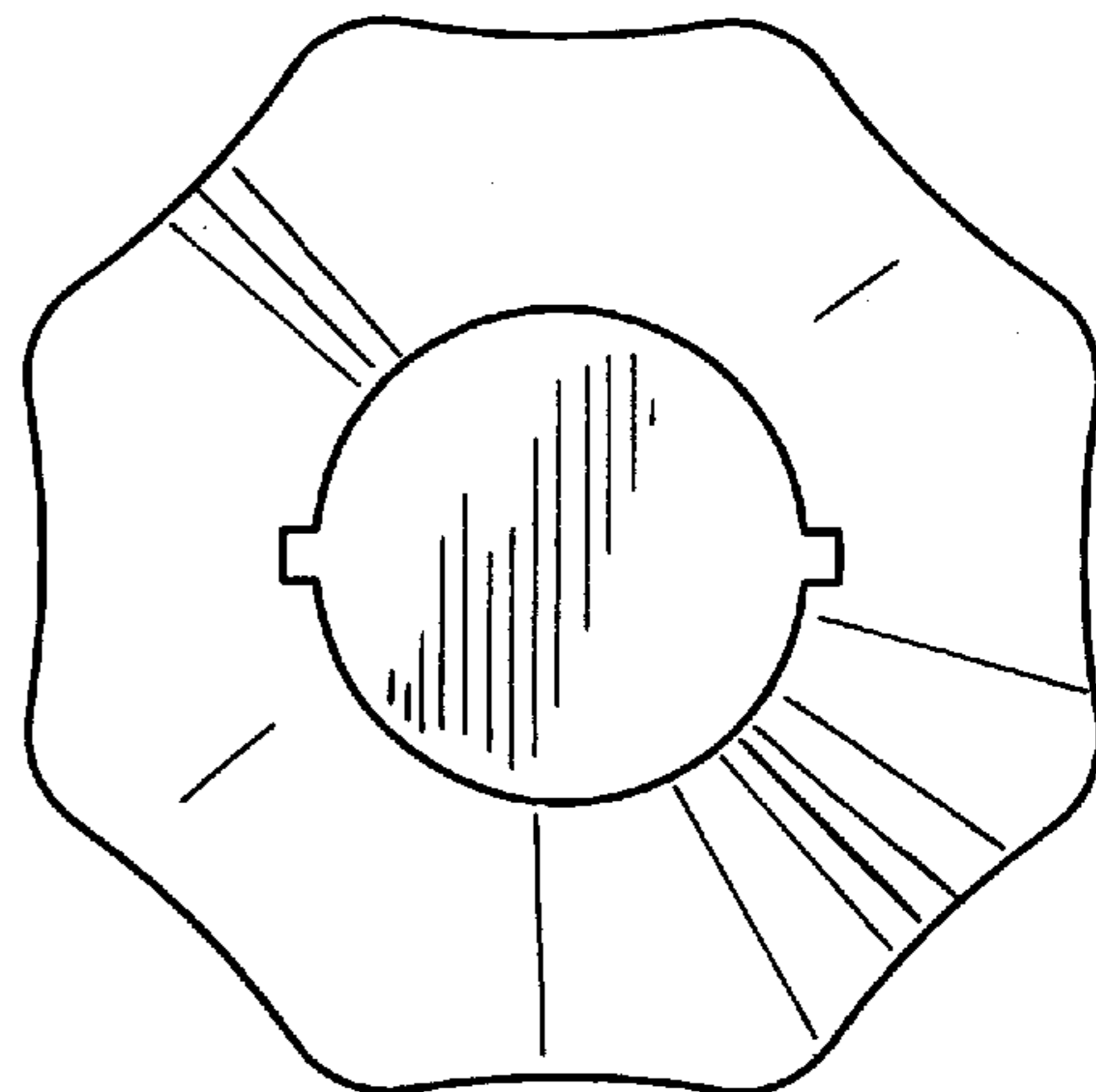


FIG. 14

FIG. 15



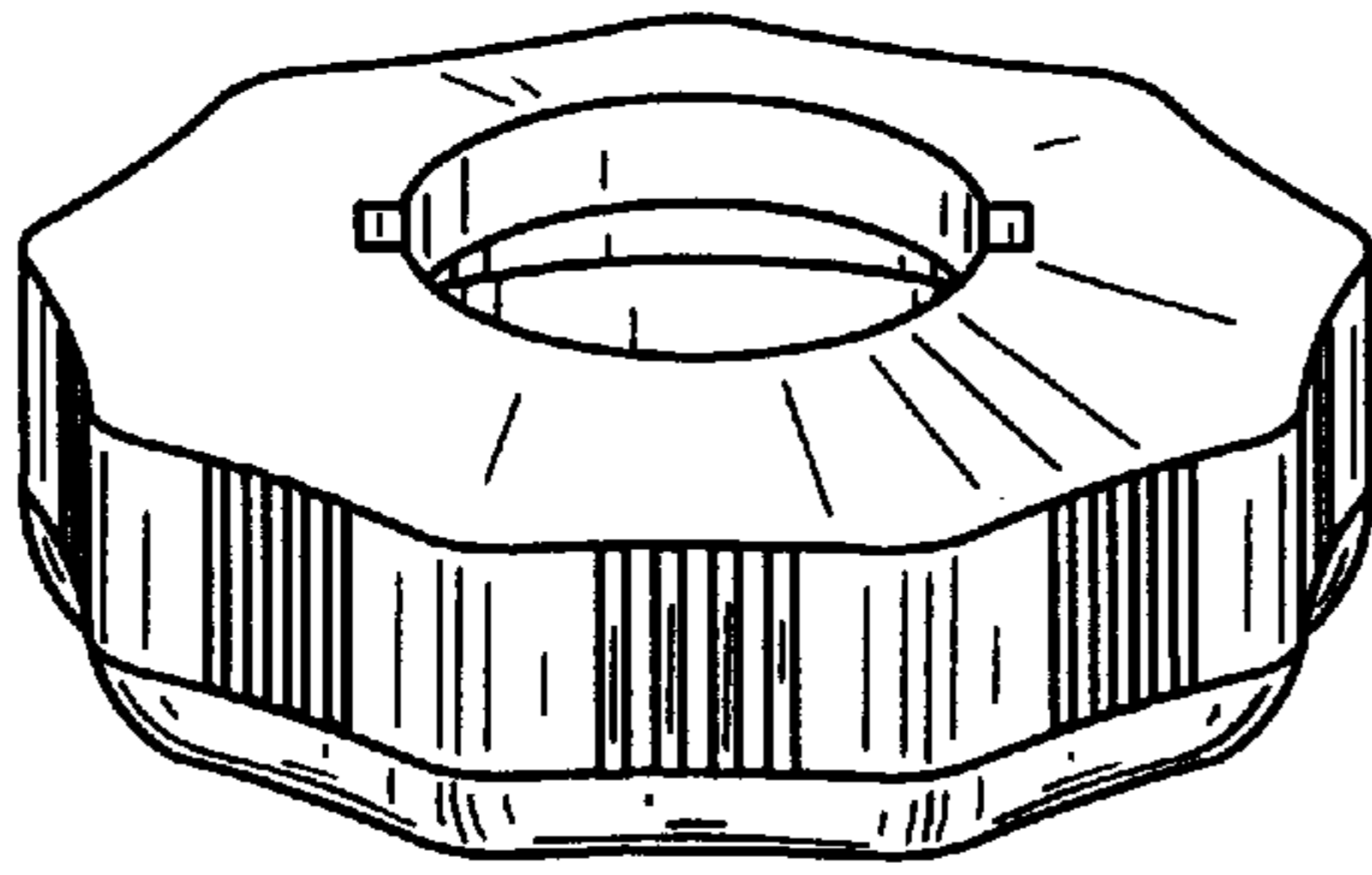


FIG. 16

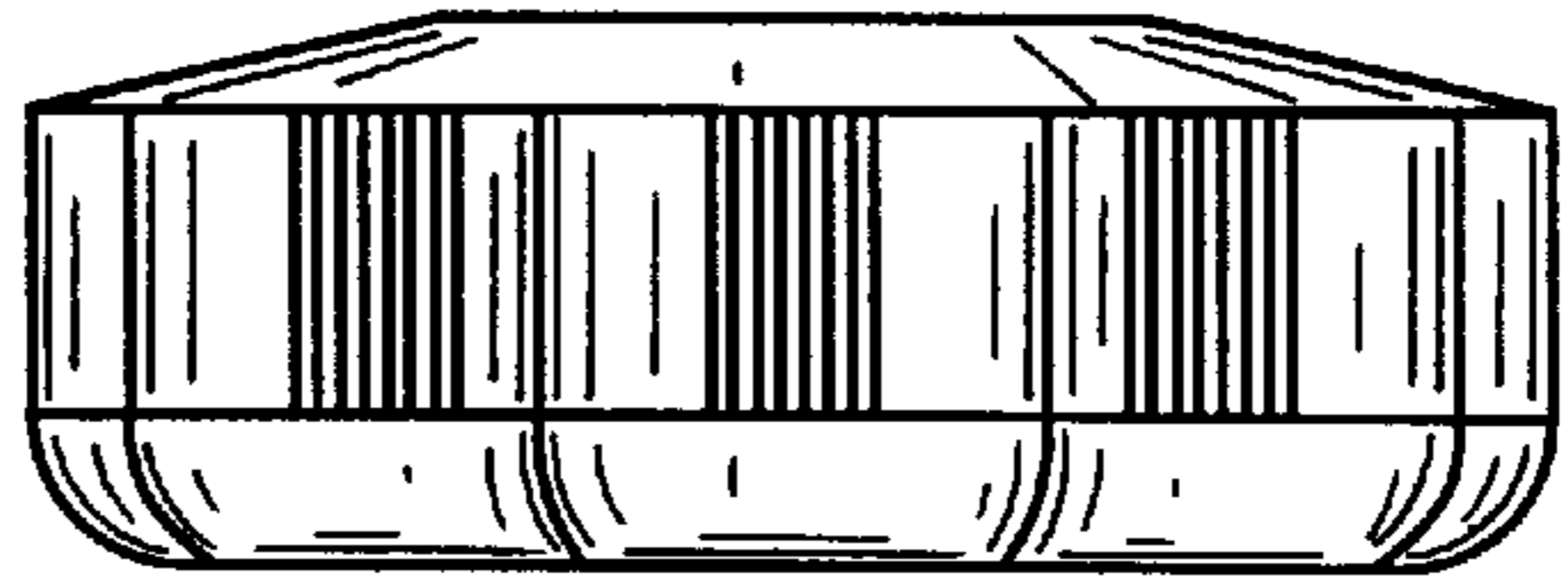


FIG. 17

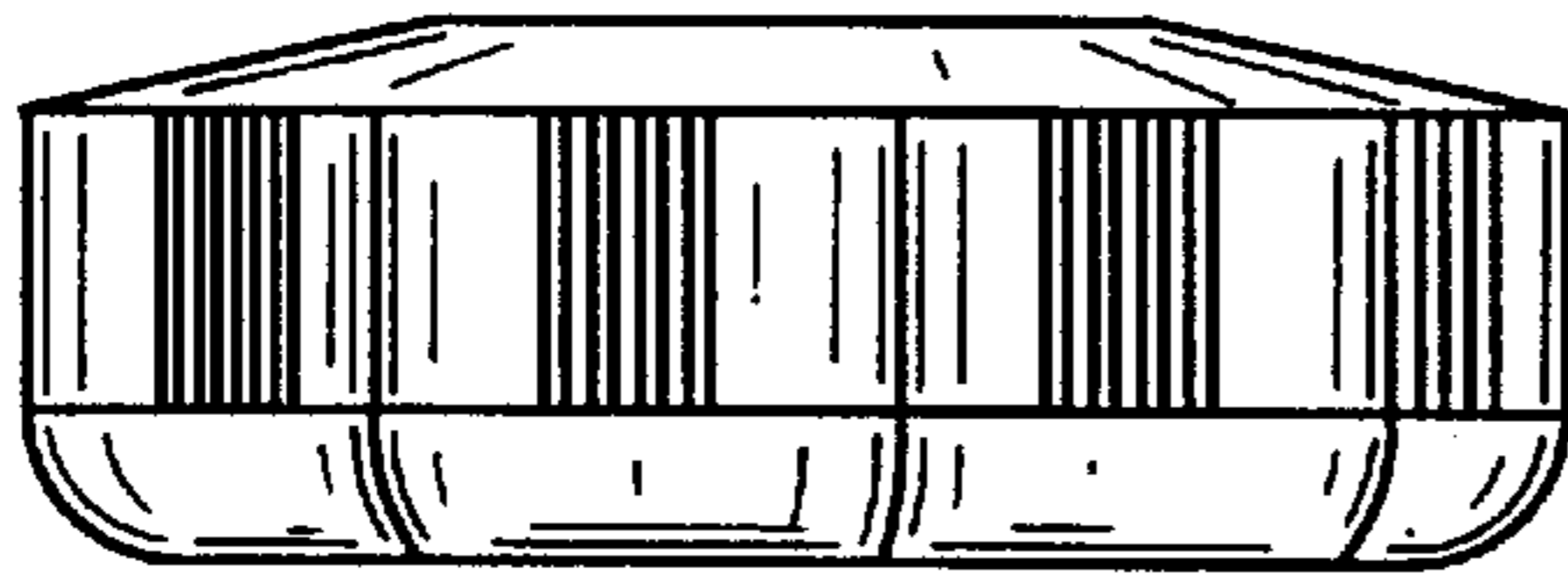


FIG. 18

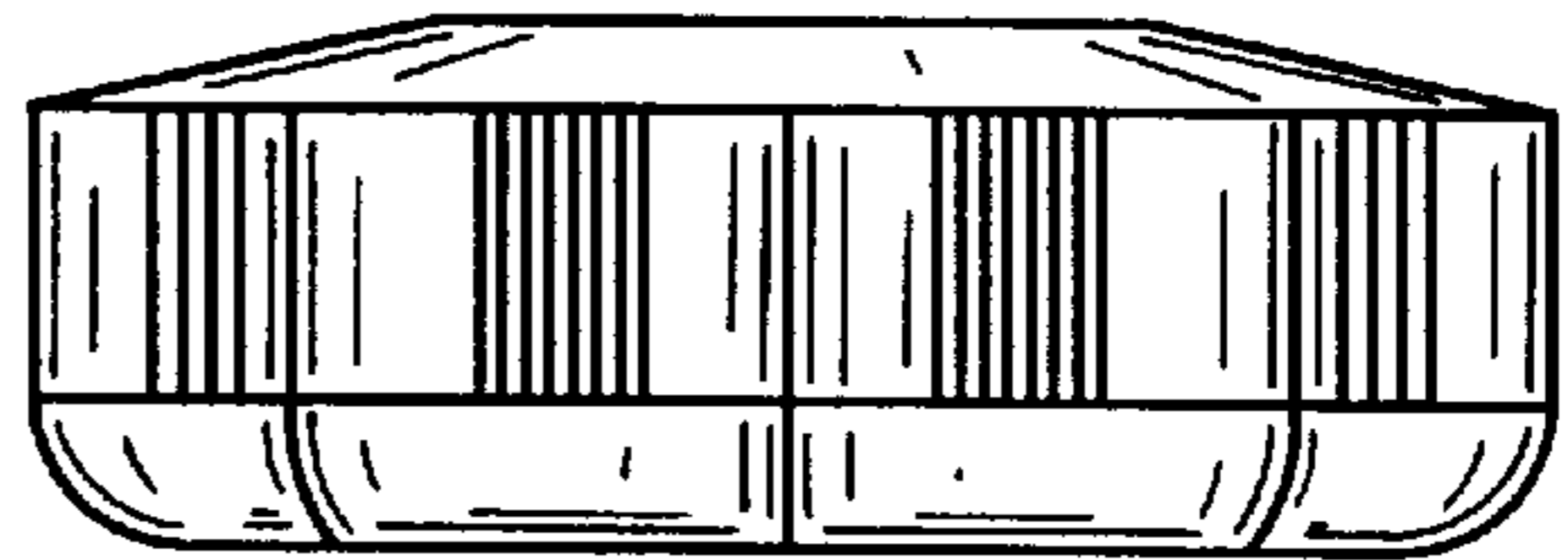


FIG. 19

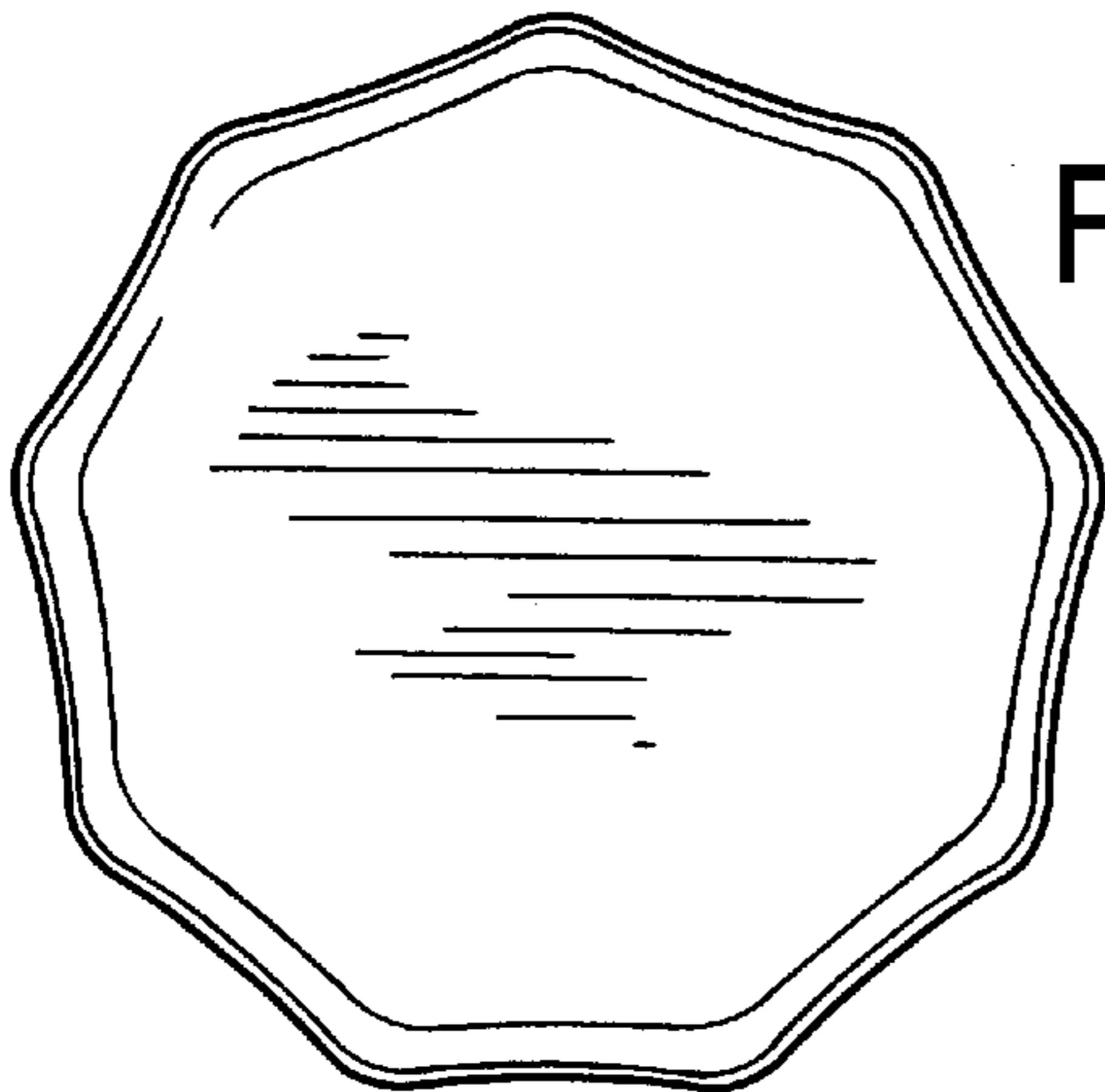
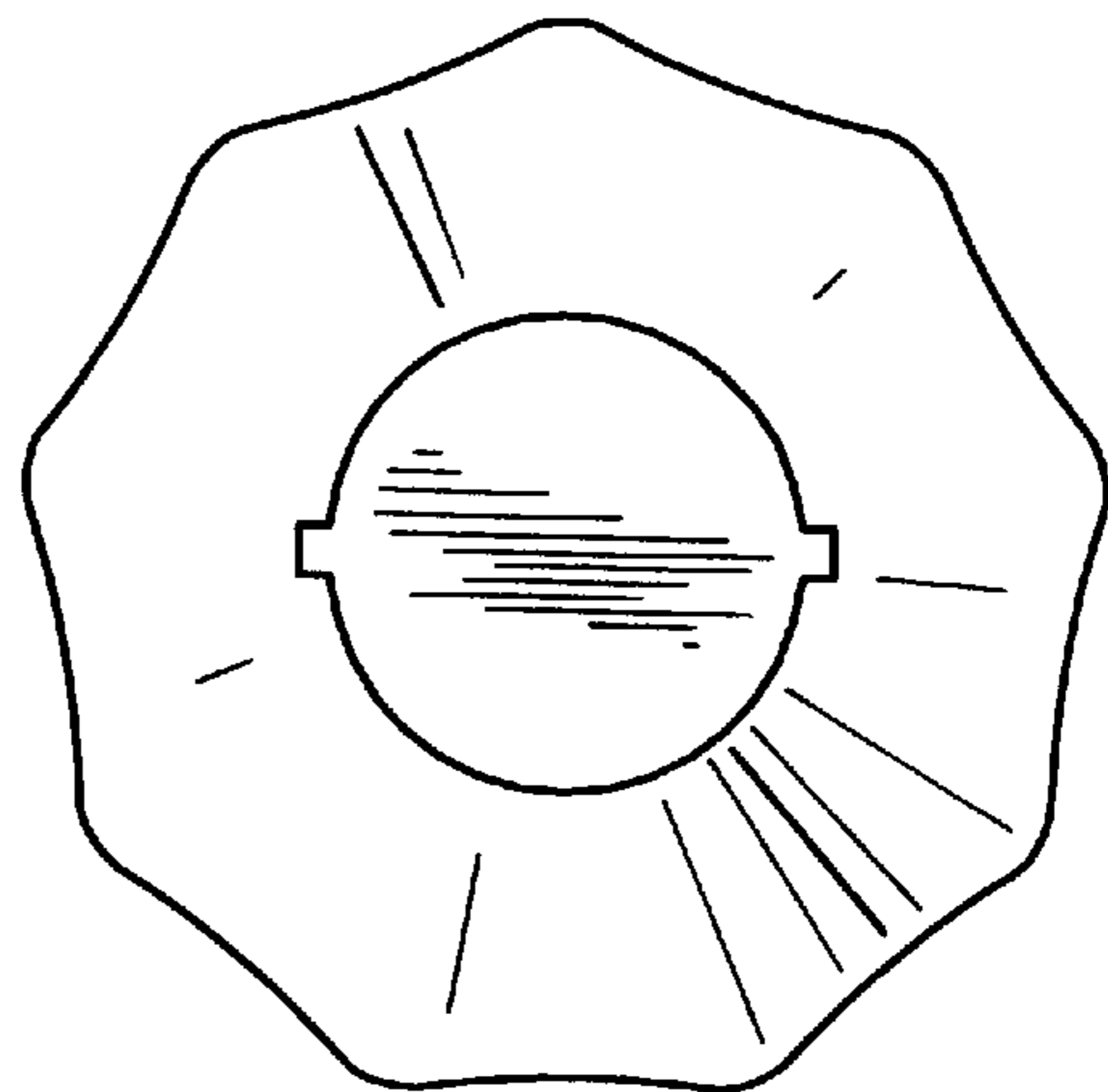


FIG. 20

FIG. 21



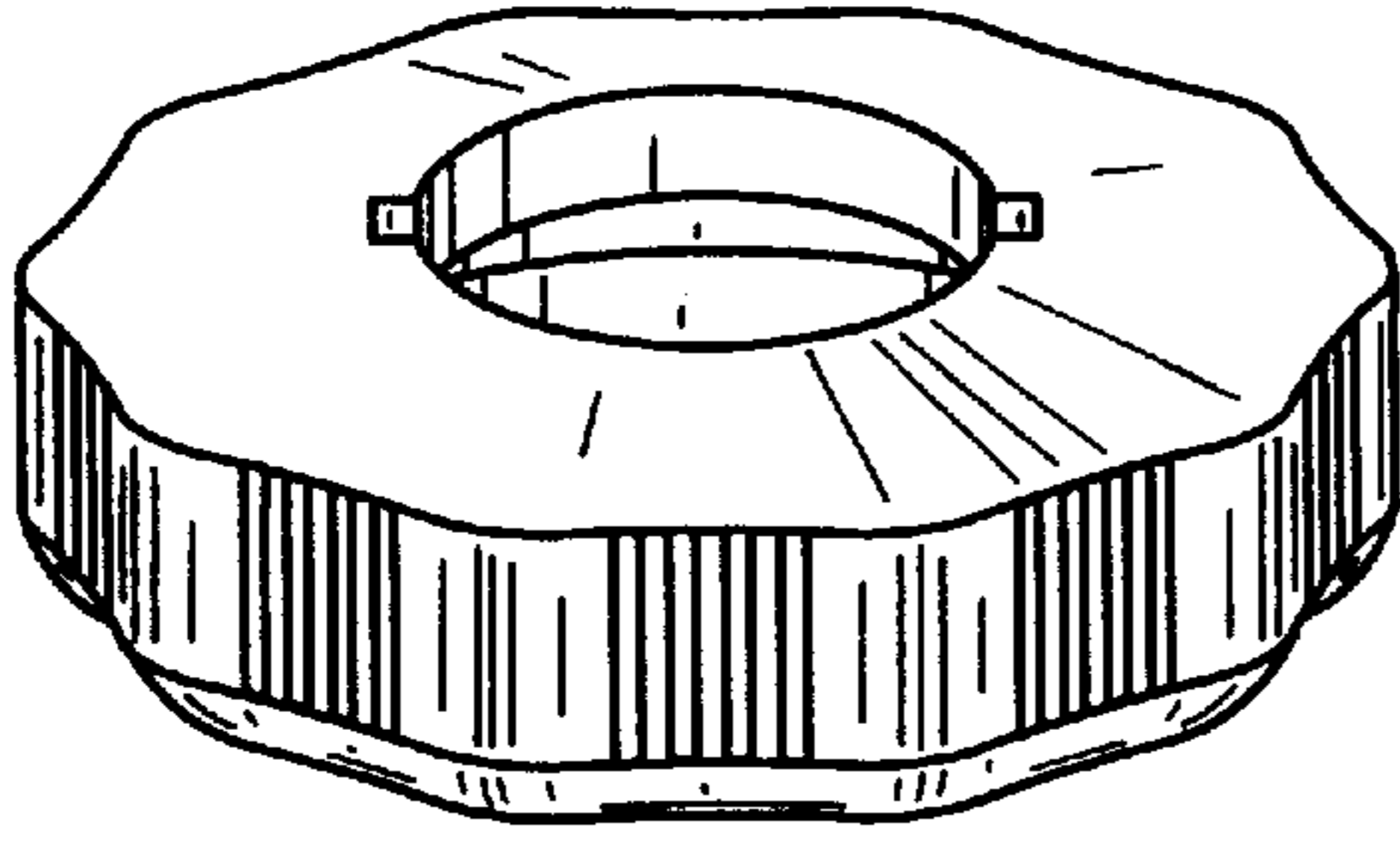


FIG. 22

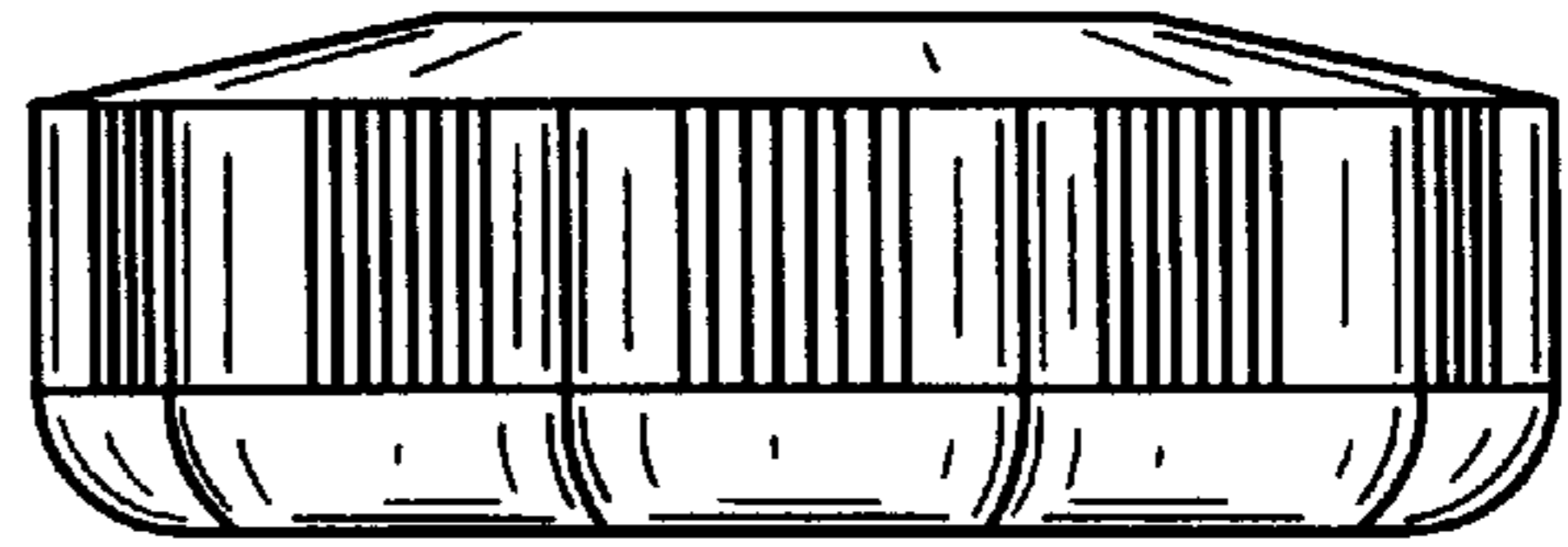


FIG. 23

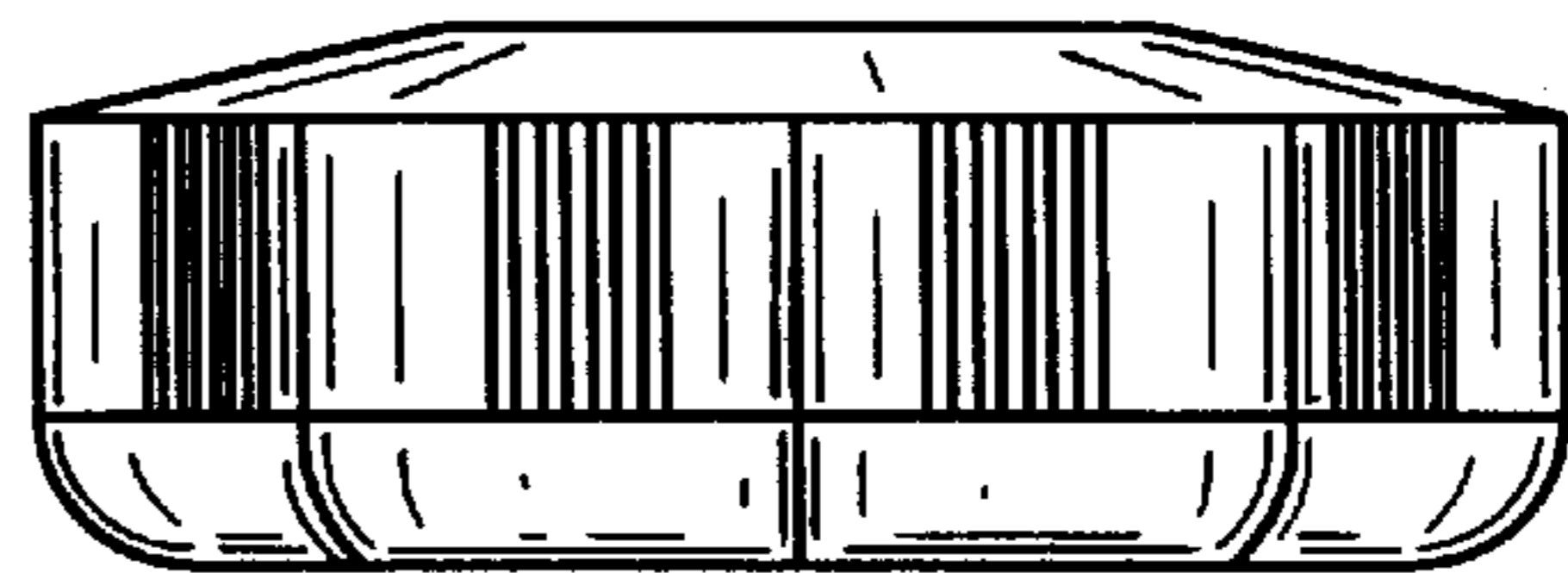


FIG. 24

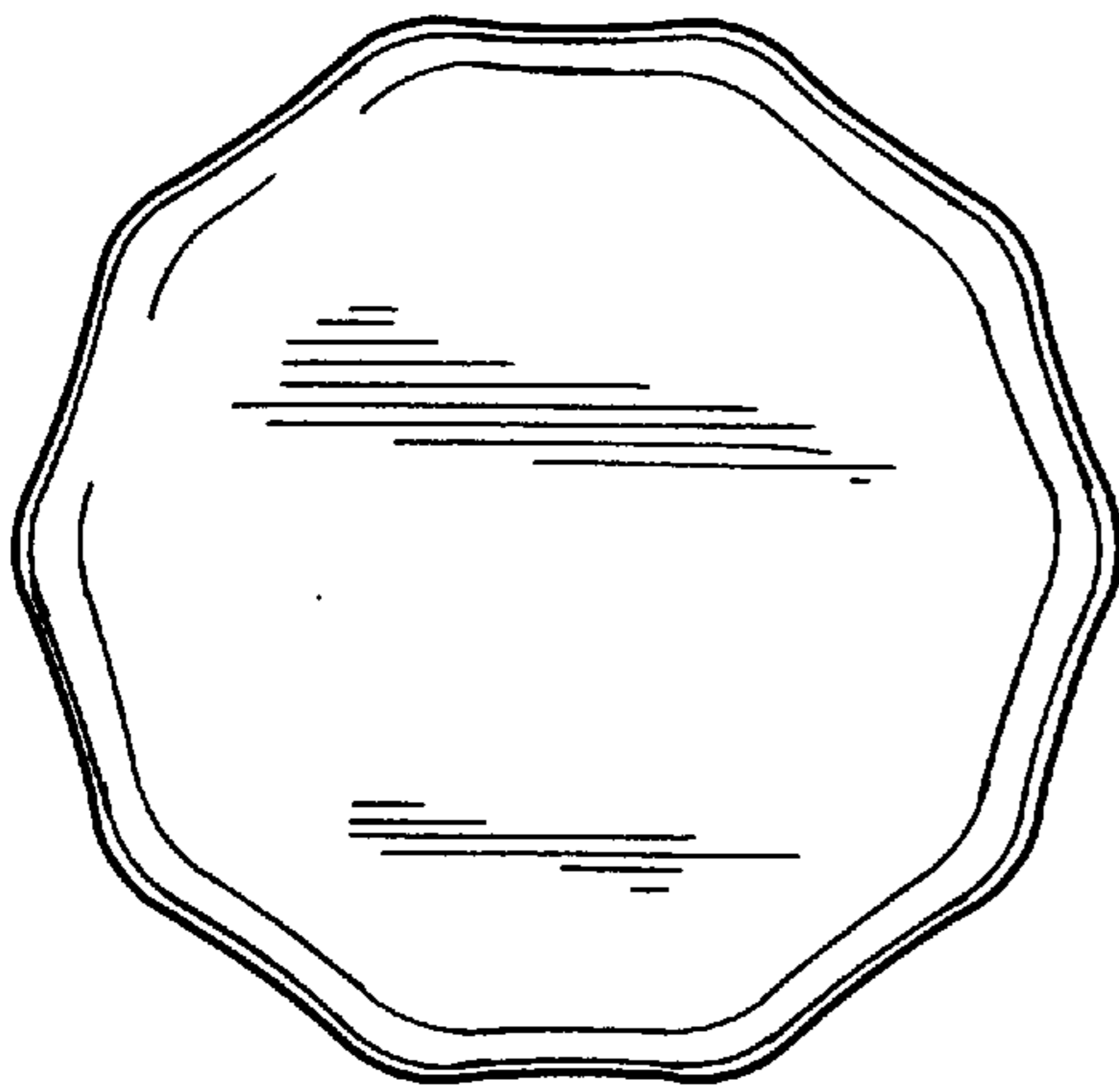
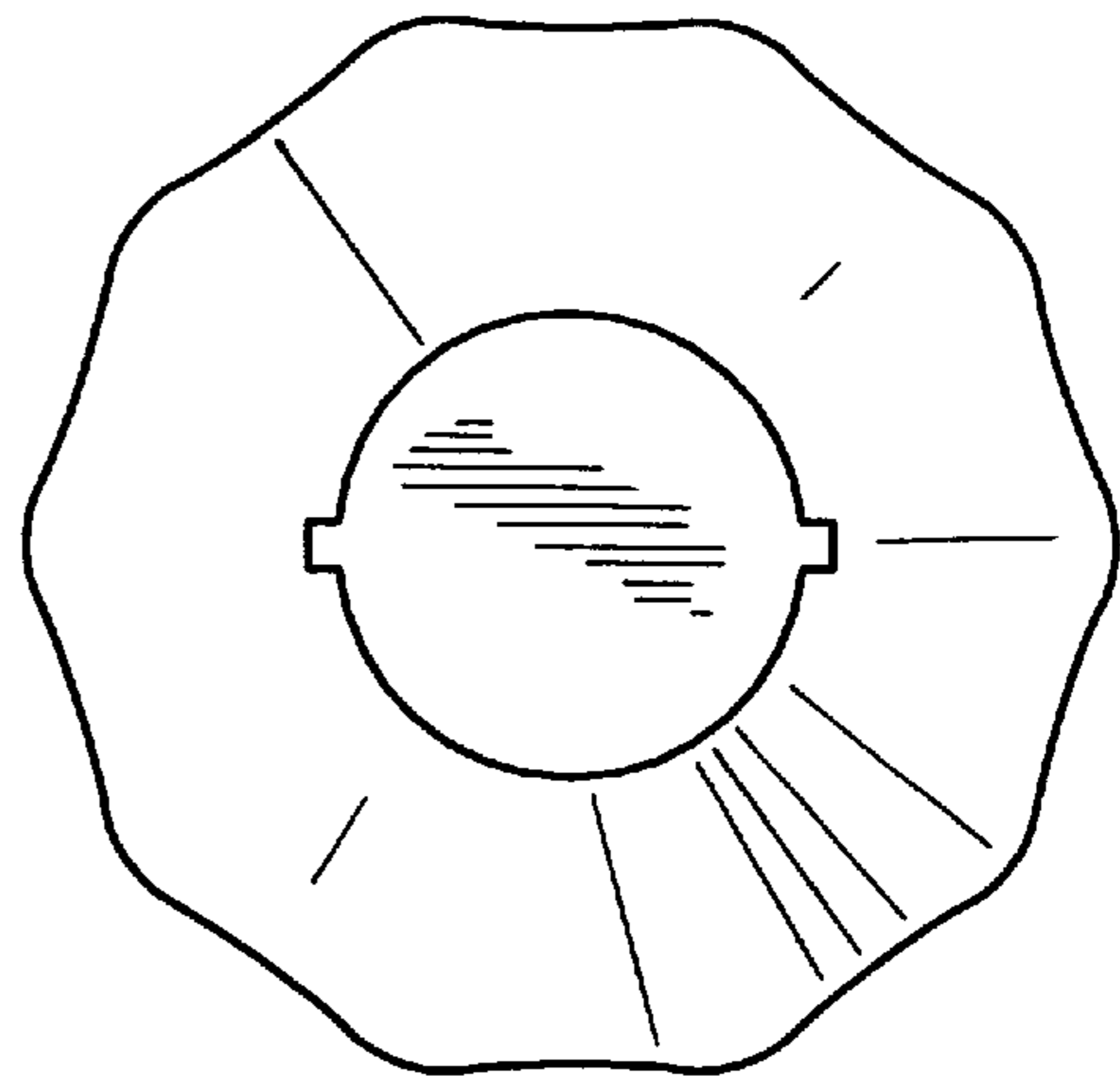


FIG. 25

FIG. 26



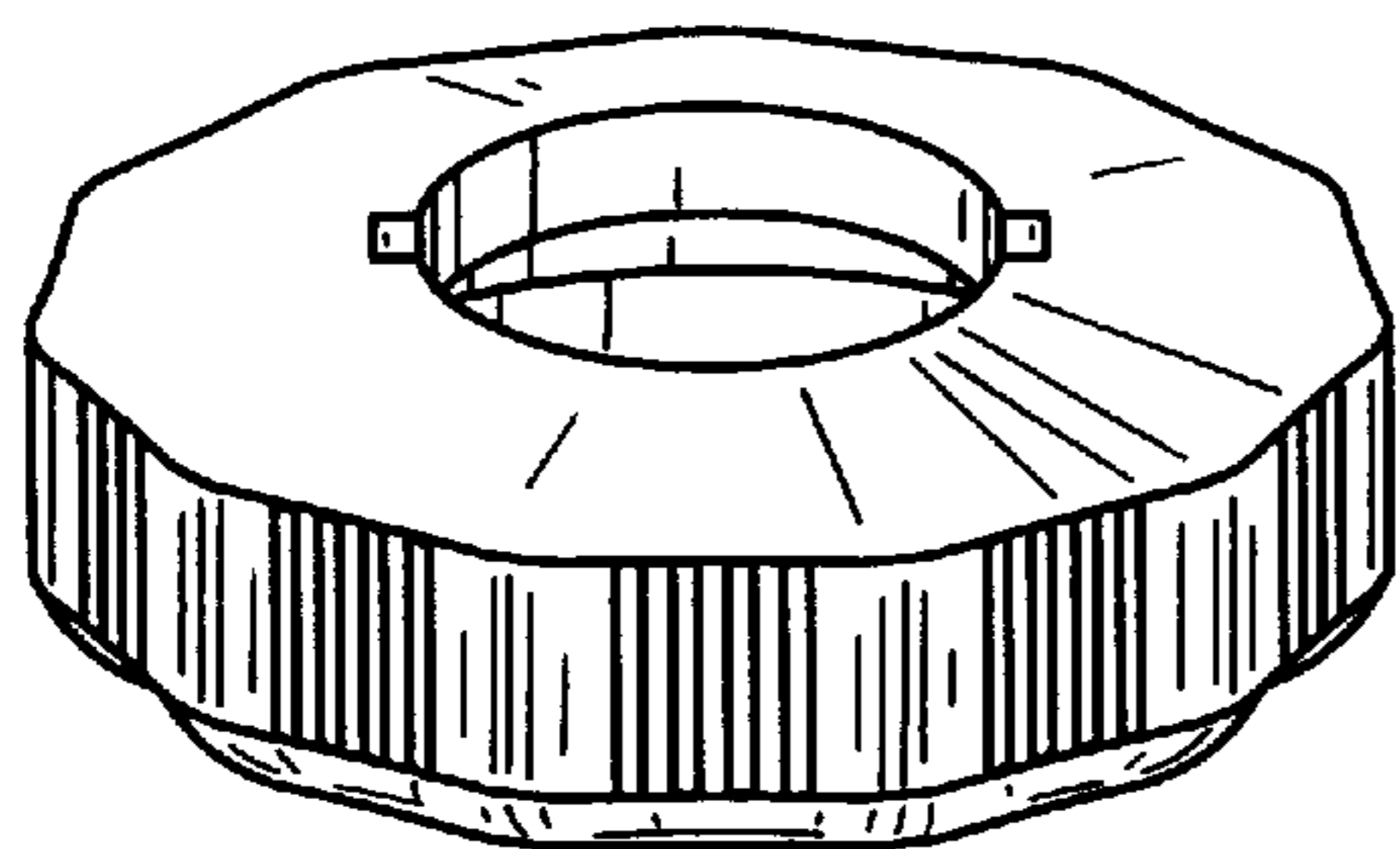


FIG. 27

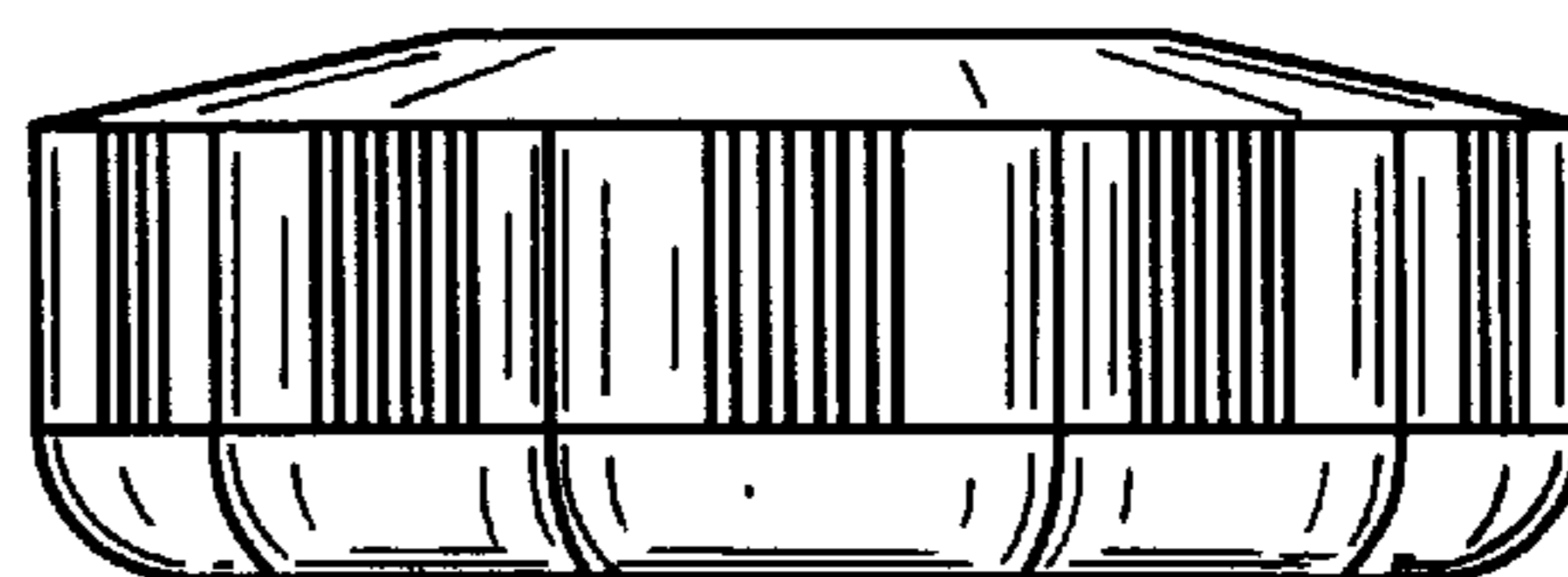


FIG. 28

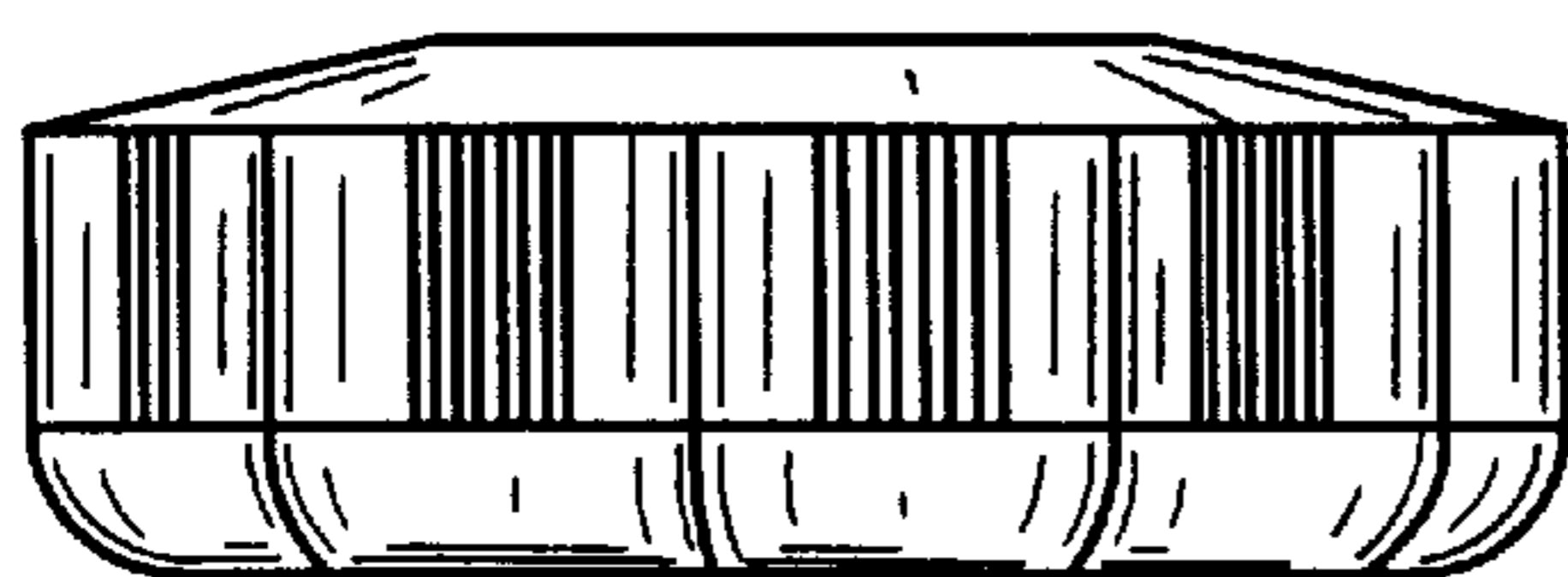


FIG. 29

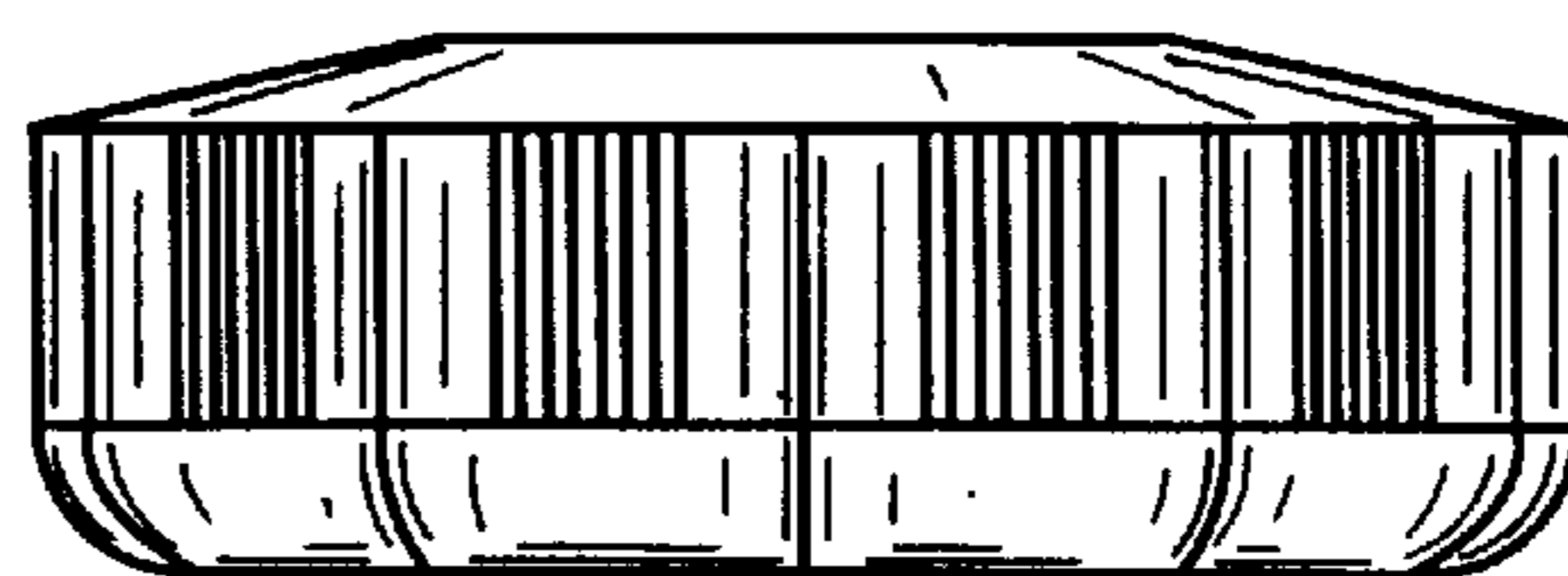


FIG. 30

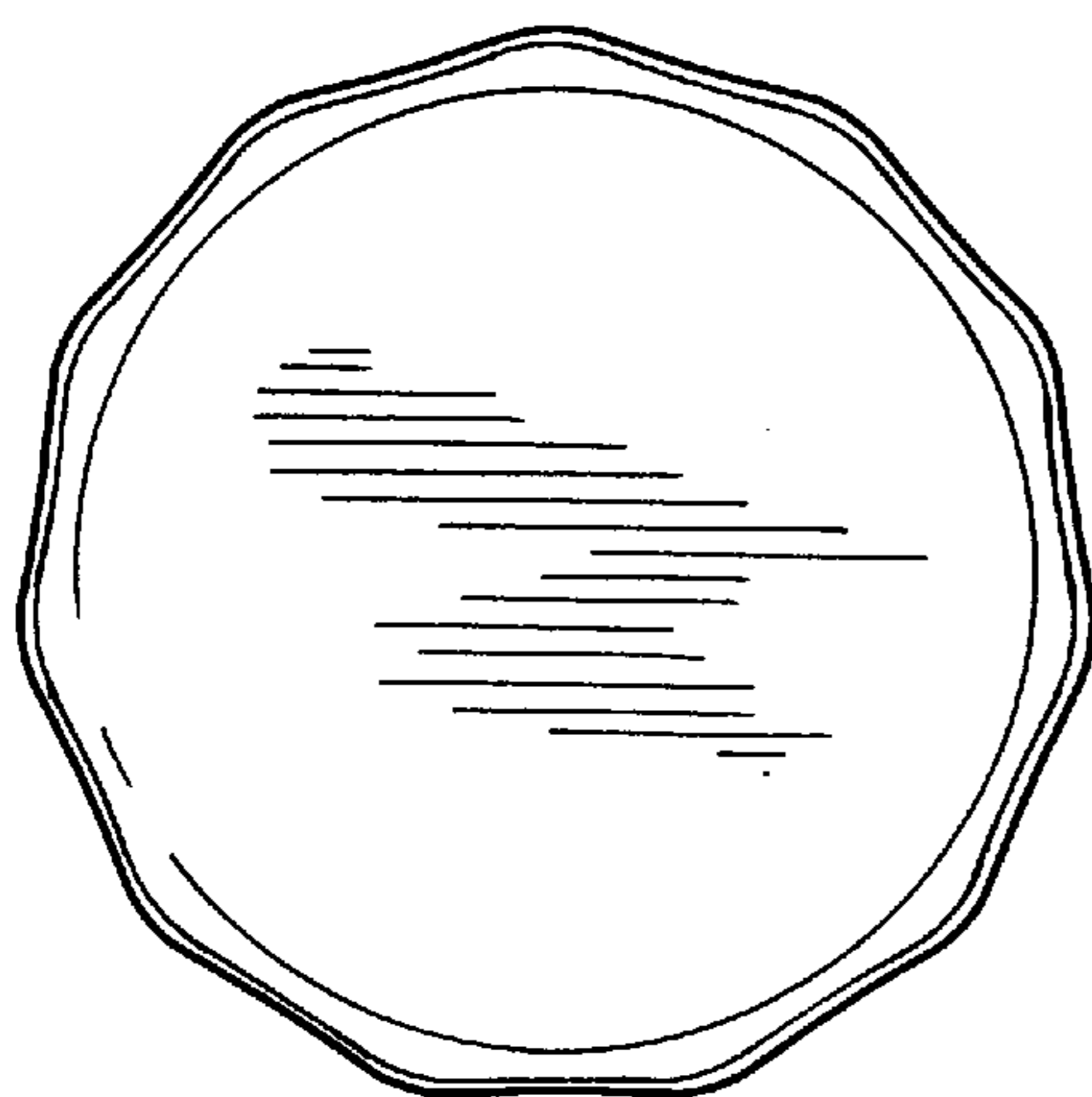


FIG. 31

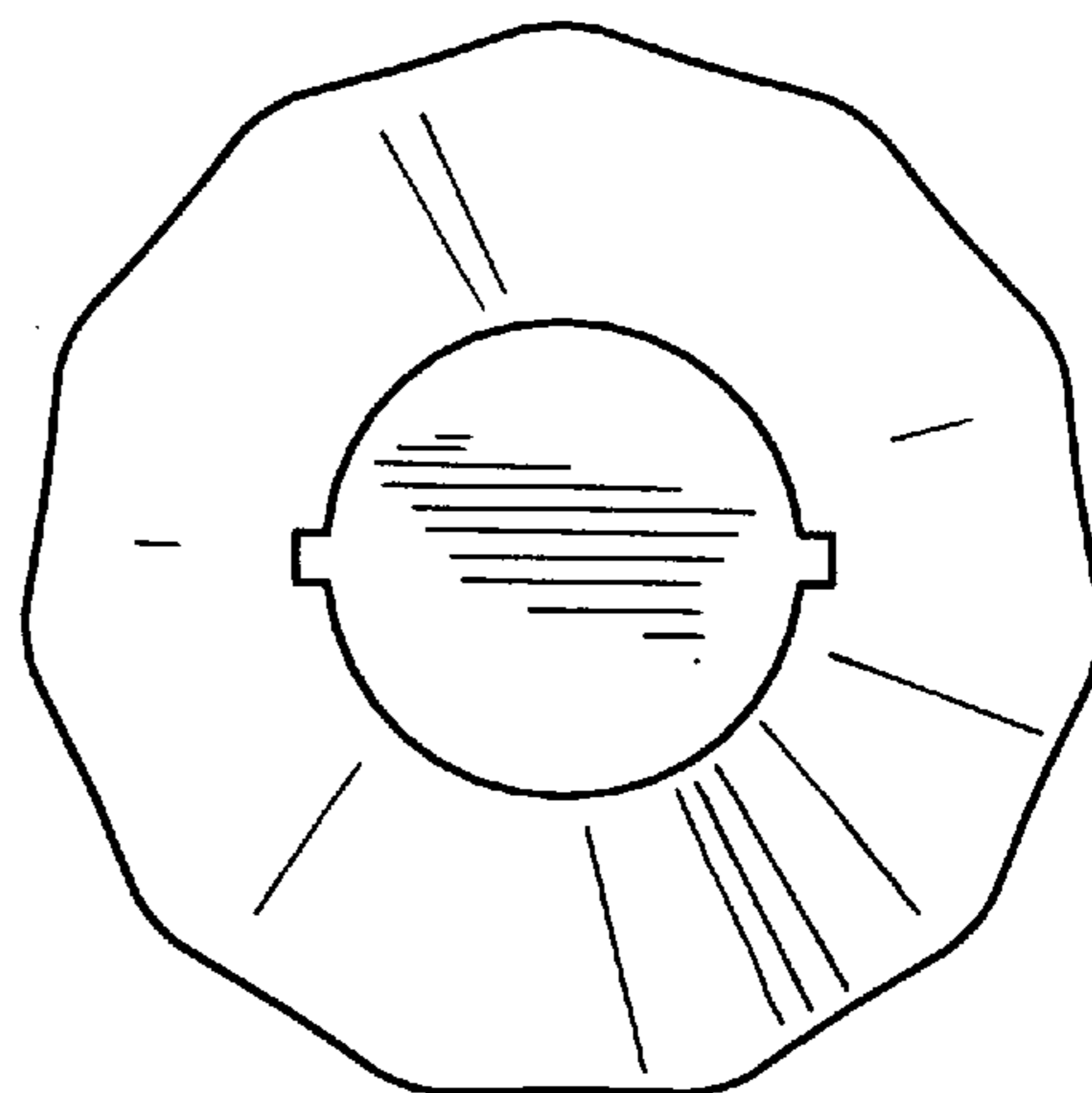


FIG. 32

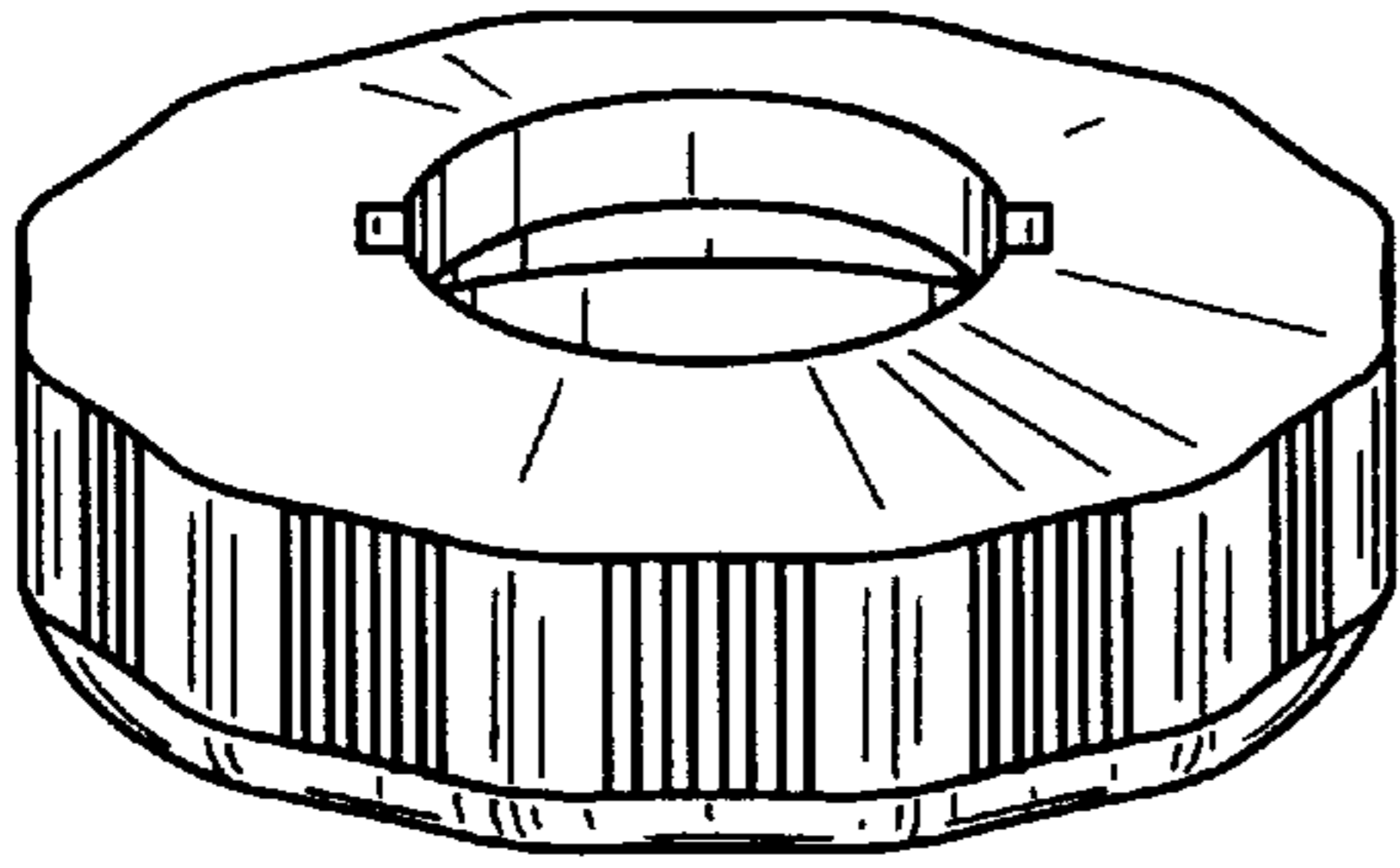


FIG. 33

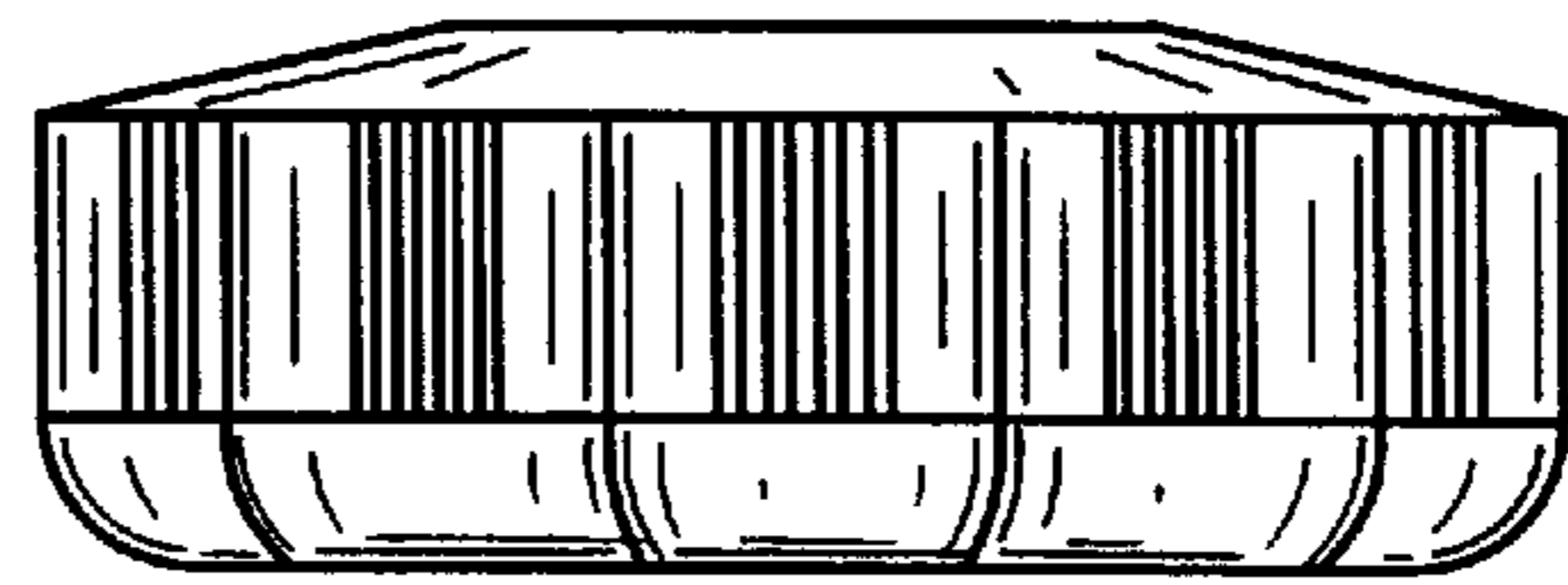


FIG. 34

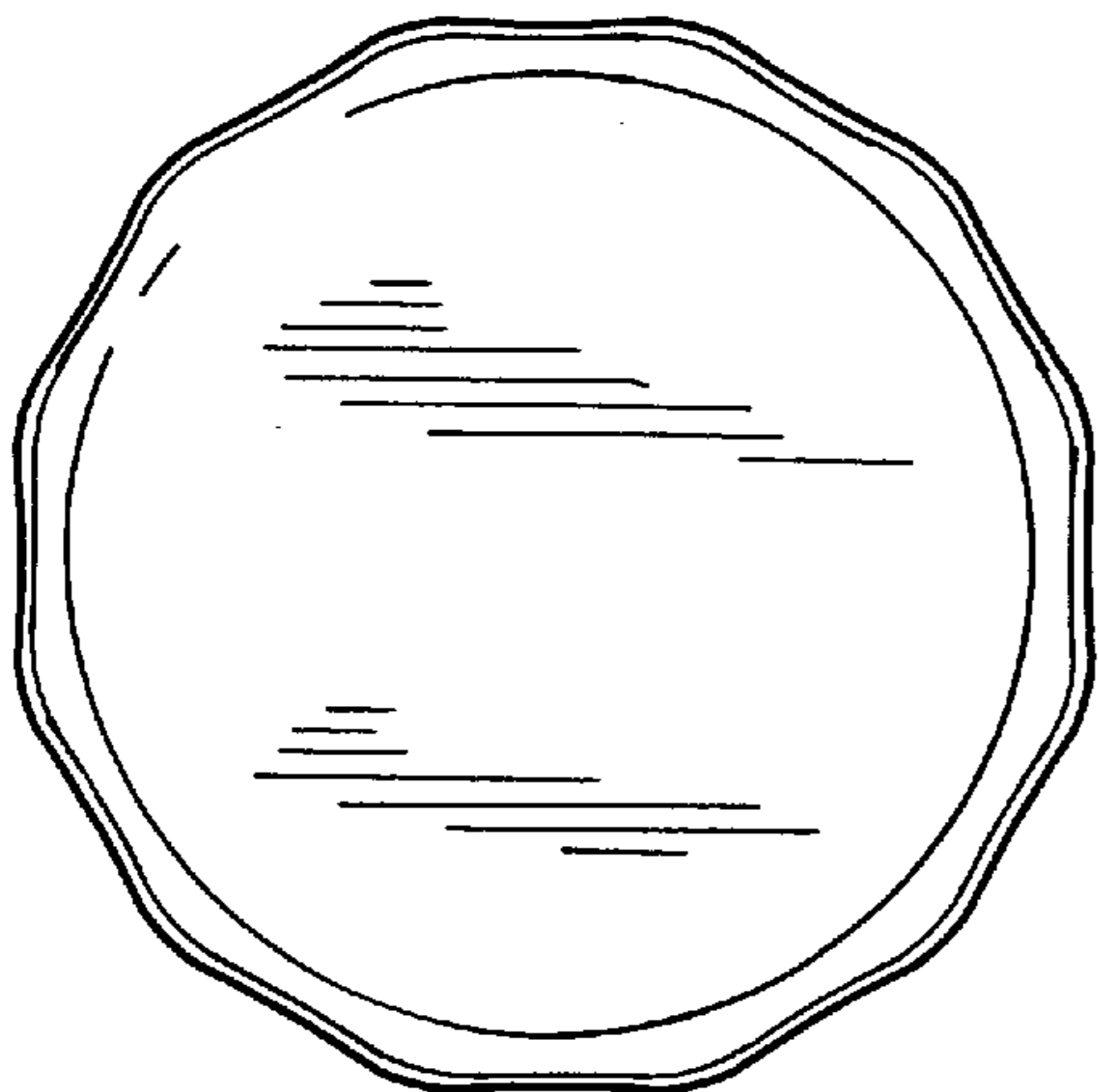


FIG. 35

FIG. 36

