

US00D404829S

United States Patent [19]

[11] **Patent Number: Des. 404,829**

Chomka et al.

[45] **Date of Patent: **Jan. 26, 1999**

[54] **HOUSING FOR A REAGENT MIXING APPARATUS FOR USE WITH A DIAGNOSTIC INSTRUMENT**

[75] Inventors: **Chester Chomka**, Bellevue, Iowa; **Ted Hanagan**, Libertyville, Ill.; **Stacie Lynn Hoskins**; **Rick Passanisi**, both of Dubuque, Iowa; **Arthur D. Rokusek**, Peosta, Iowa; **Scott G. Safar**, Kenosha, Wis.; **John Willmes**, Dubuque, Iowa

[73] Assignee: **Abbott Laboratories**, Abbott Park, Ill.

[**] Term: **14 Years**

[21] Appl. No.: **87,875**

[22] Filed: **May 11, 1998**

[51] **LOC (6) Cl.** **24-01**

[52] **U.S. Cl.** **D24/220**

[58] **Field of Search** D24/220; D7/376; 436/43; 422/63, 104

3,752,197	8/1973	Ambrose et al. .	
3,800,984	4/1974	Phelan .	
3,865,549	2/1975	Riley .	
3,950,137	4/1976	Larson et al. .	
3,987,808	10/1976	Carbonell et al. .	
3,990,853	11/1976	Godin .	
4,013,413	3/1977	Stewart et al. .	
4,029,473	6/1977	Sharples .	
4,108,608	8/1978	Maher, Jr. et al. .	
4,120,657	10/1978	Nagy et al. .	
4,120,661	10/1978	Naono .	
4,220,621	9/1980	Simpson et al. .	
4,223,558	9/1980	Schmider et al. .	
4,244,919	1/1981	Chen .	
4,252,769	2/1981	Hood et al. .	
4,263,406	4/1981	Bostick et al. .	
4,283,201	8/1981	DeFord et al. .	
4,323,537	4/1982	Mody .	
4,326,940	4/1982	Eckles et al. .	
4,387,075	6/1983	Morgart .	
4,424,276	1/1984	Clark et al. .	
4,462,963	7/1984	O'Brien et al.	422/63
5,270,006	12/1993	Uchigaki et al.	422/63

Primary Examiner—Louis S. Zarfaz
Assistant Examiner—Gregory Andoll
Attorney, Agent, or Firm—Mark C. Bach

[56] **References Cited**

U.S. PATENT DOCUMENTS

D. 360,037	7/1995	Markle et al.	D24/220
1,919,858	7/1933	Pettingill .	
2,129,944	9/1938	Ladewig .	
2,173,986	9/1939	Stuart .	
2,192,094	2/1940	Moore .	
2,811,202	10/1957	Schild et al. .	
2,851,655	9/1958	Haddad .	
3,186,799	6/1965	Hach .	
3,186,800	6/1965	Strickler .	
3,273,402	9/1966	Farr .	
3,308,042	3/1967	Strickler .	
3,432,271	3/1969	Wasilewski .	
3,447,906	6/1969	Zimmerli .	
3,476,518	11/1969	Jungner .	
3,481,709	12/1969	Slone .	
3,488,154	1/1970	Hronas .	
3,549,994	12/1970	Rothermel et al. .	
3,578,408	5/1971	Sirois et al. .	
3,607,092	9/1971	Neff et al. .	
3,690,833	9/1972	Ferrari .	

[57] **CLAIM**

The ornamental design for a housing for a reagent mixing apparatus for use with a diagnostic instrument, as shown and described.

DESCRIPTION

FIG. 1 is a top perspective view of a housing for a reagent mixing apparatus for use with a diagnostic instrument; FIG. 2 is a front side view thereof; FIG. 3 is a right side view thereof; FIG. 4 is a rear side view thereof; FIG. 5 is a left side view thereof; FIG. 6 is a top view thereof; and, FIG. 7 is a bottom view thereof. The broken lines in the drawings is for illustrative purposes only and forms no part of the claimed design.

1 Claim, 3 Drawing Sheets

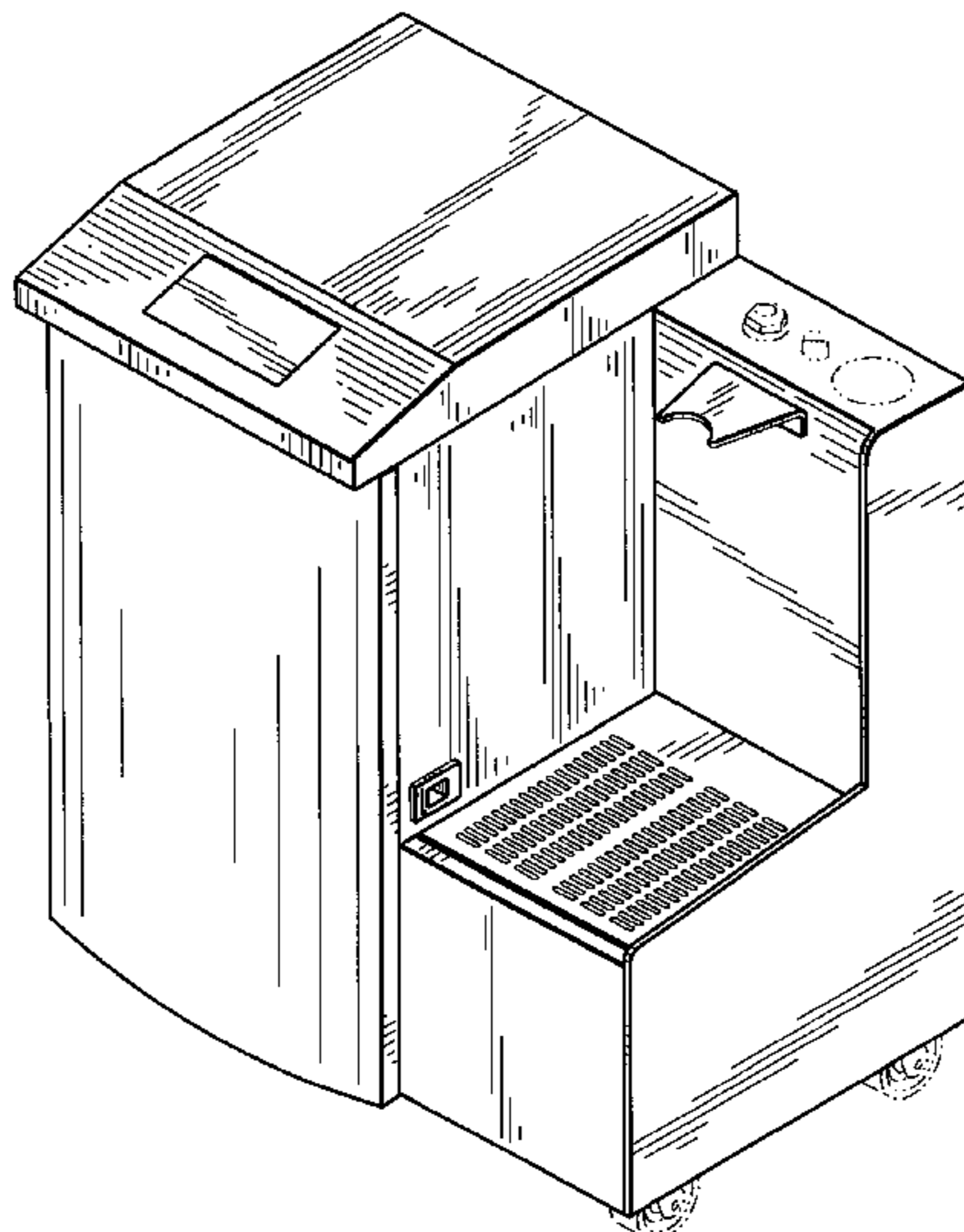


FIG. 1

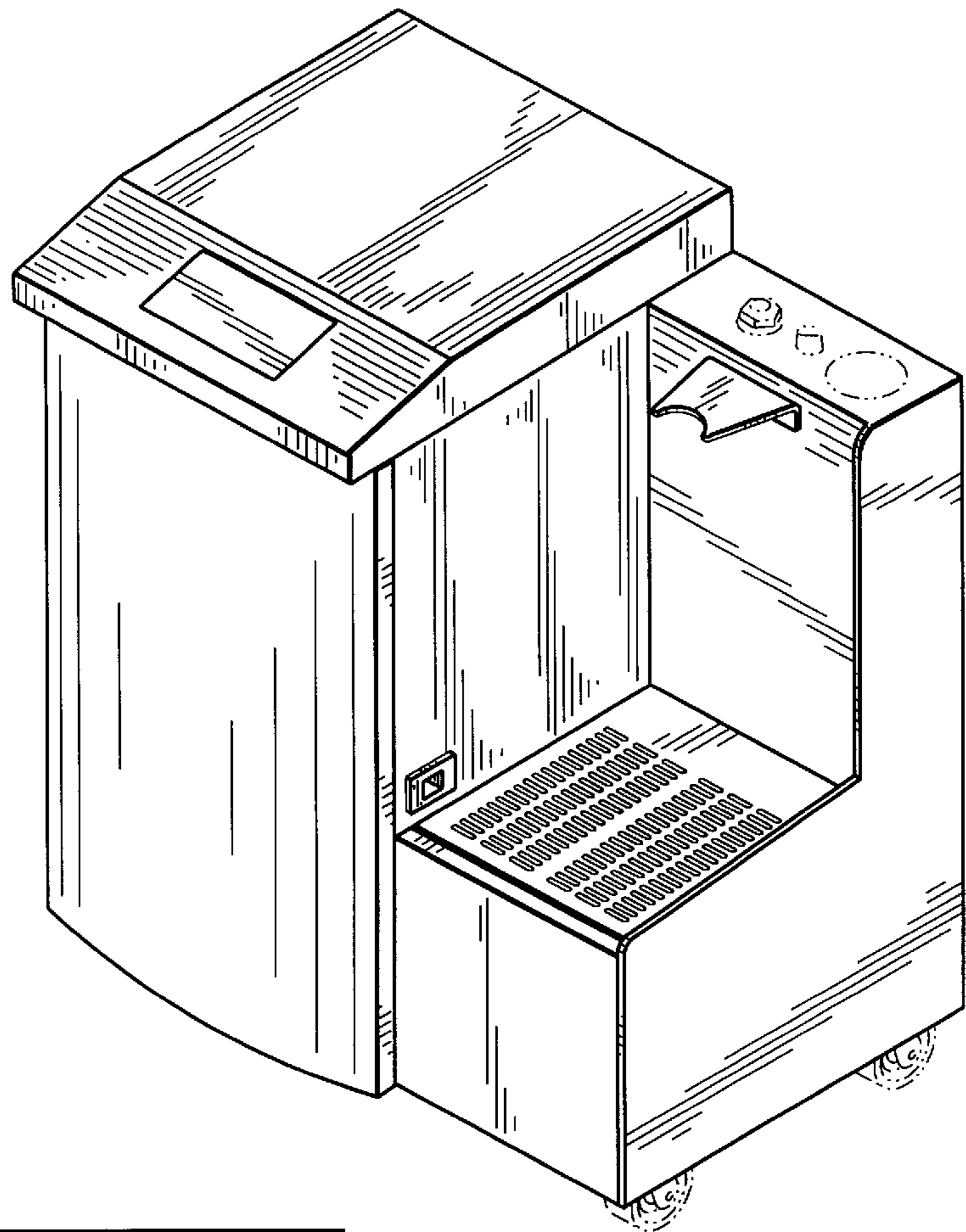
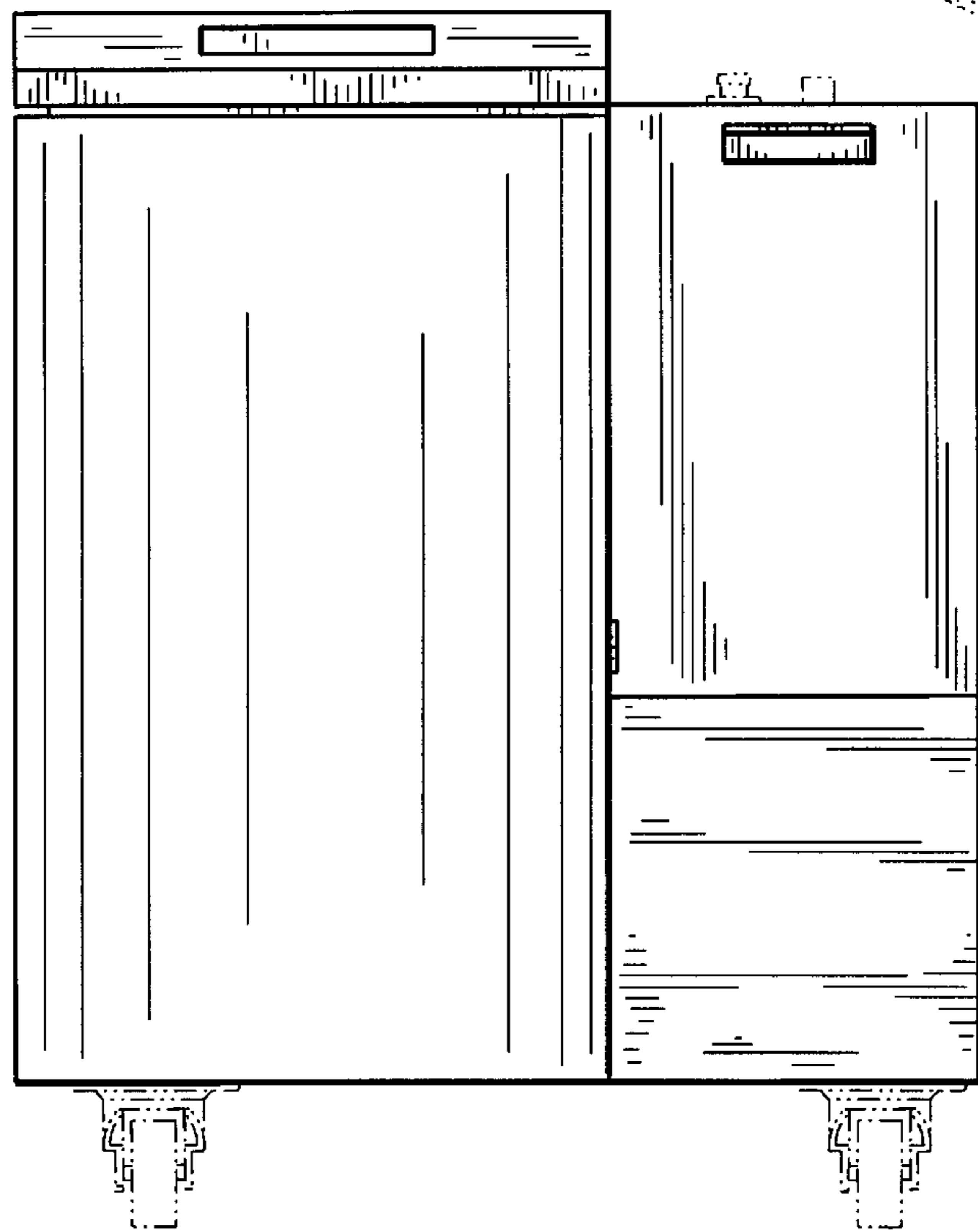


FIG. 2



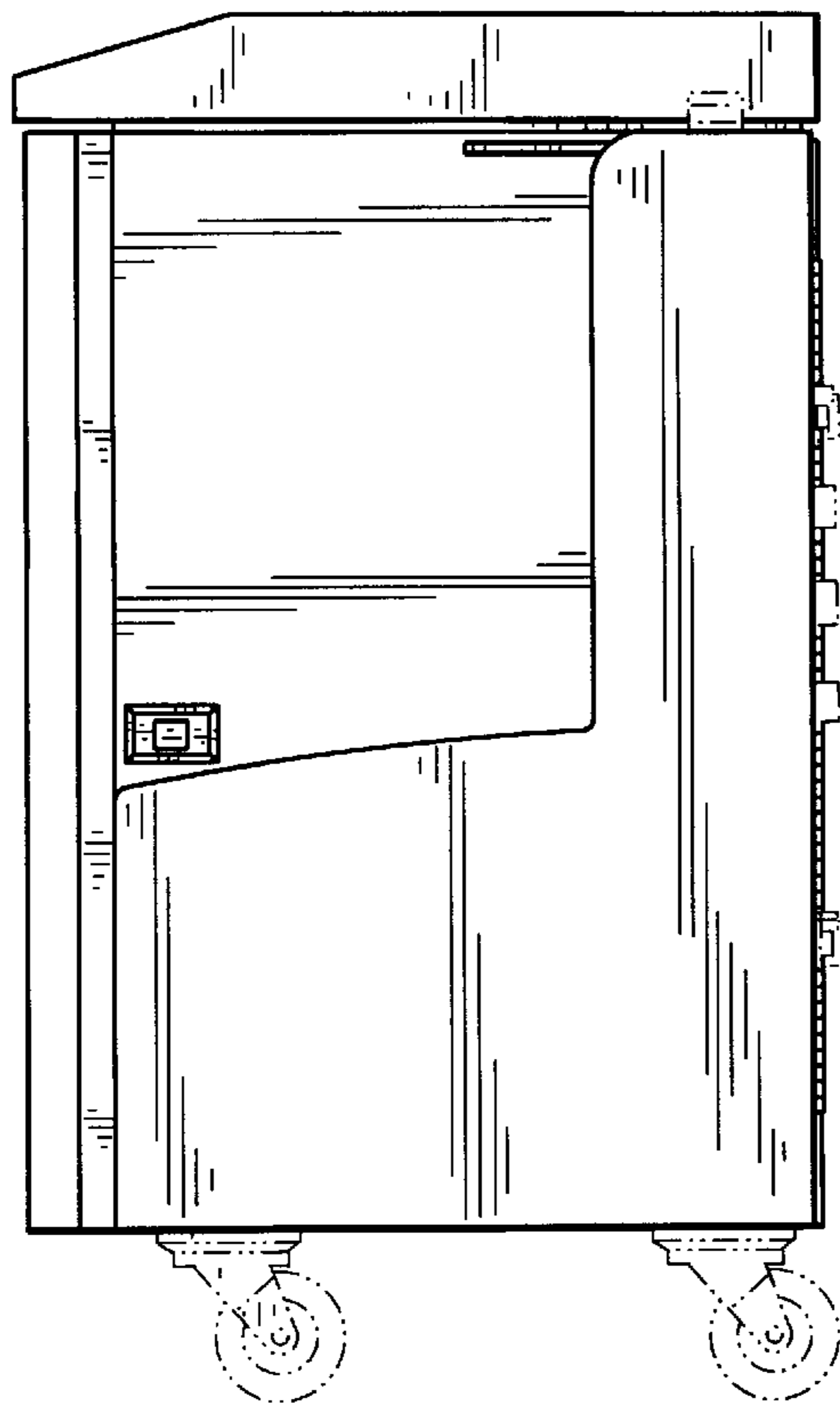


FIG. 3

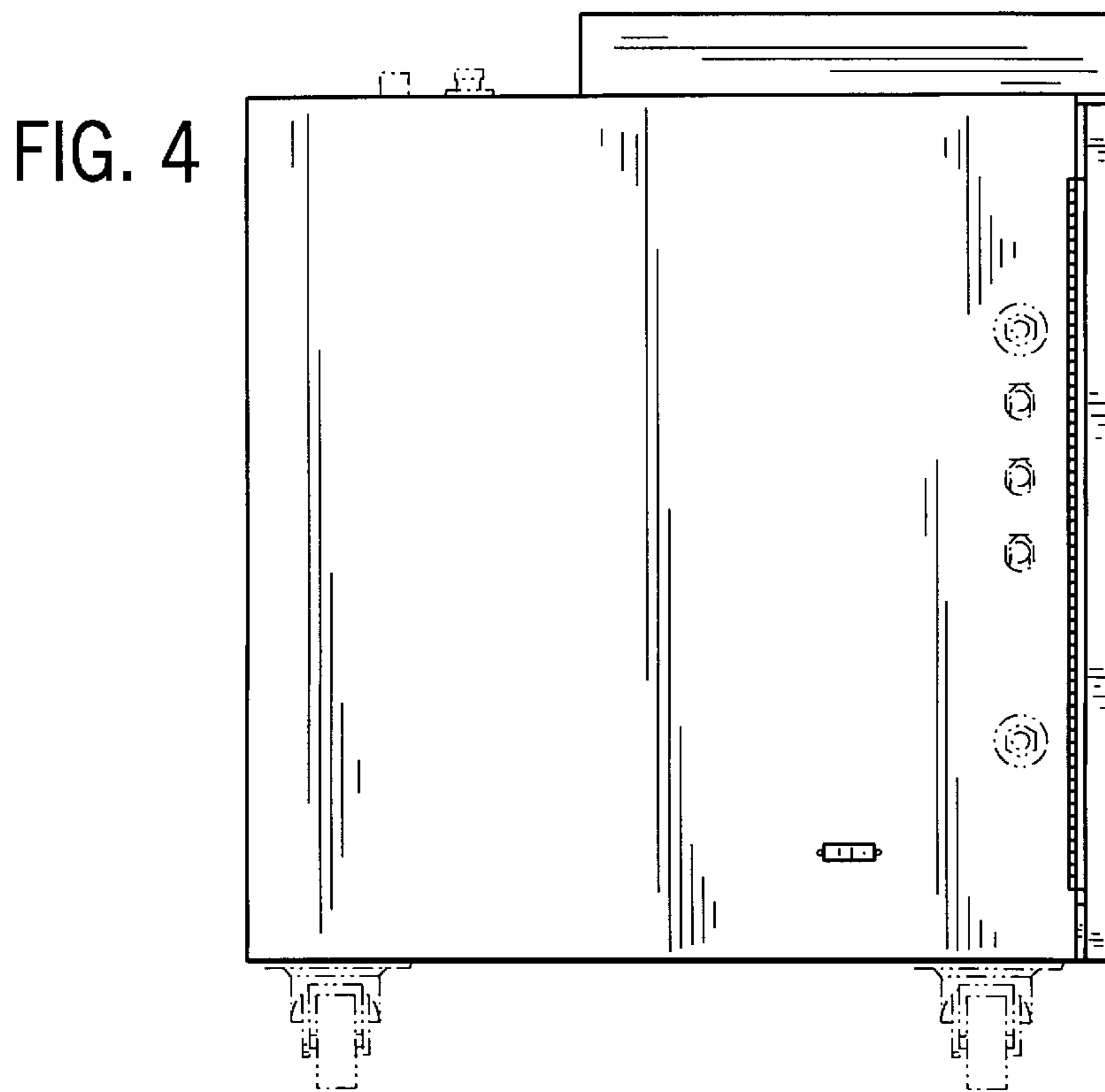


FIG. 4

FIG. 5

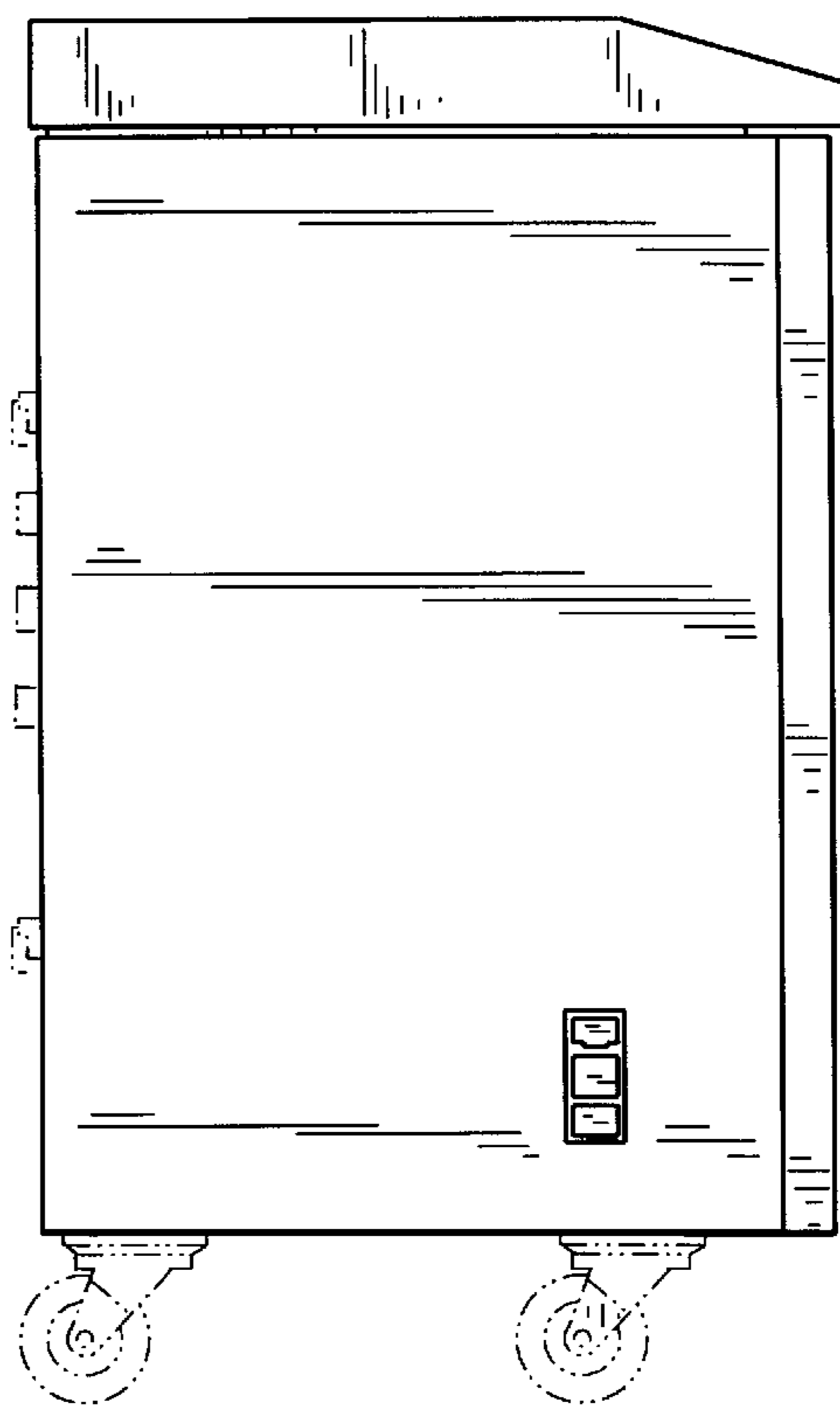


FIG. 6

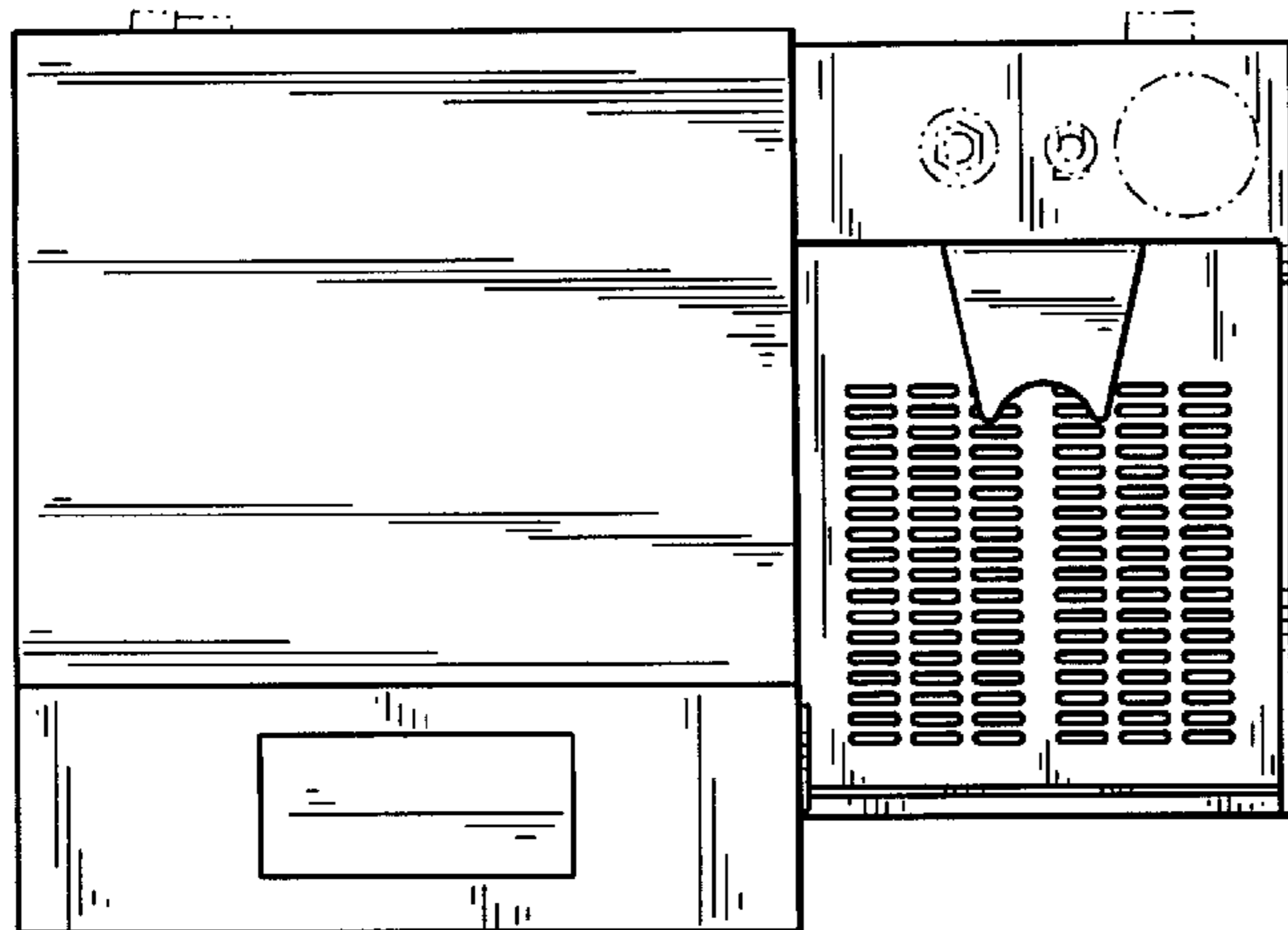


FIG. 7

