



US00D404828S

United States Patent [19]
Matsunaga et al.

[11] **Patent Number: Des. 404,828**

[45] **Date of Patent: **Jan. 26, 1999**

[54] **STERILIZER**

[75] Inventors: **Katsutoshi Matsunaga; Kouji Ono; Takashi Nishimura**, all of Matsuyama, Japan

[73] Assignee: **Miura Co., Ltd.**, Ehime-ken, Japan

[**] Term: **14 Years**

[21] Appl. No.: **68,440**

[22] Filed: **Apr. 7, 1997**

[30] **Foreign Application Priority Data**

Oct. 7, 1996 [JP] Japan 8-30110

[51] **LOC (6) Cl.** **24-01**

[52] **U.S. Cl.** **D24/217**

[58] **Field of Search** D24/217; 422/22, 422/24, 23, 26, 33, 36, 292, 295, 27, 1; D15/144.1

[56] **References Cited**

U.S. PATENT DOCUMENTS

- D. 212,571 10/1968 Eaton D24/217
- D. 223,297 4/1972 Kirk D15/144.1
- D. 264,123 4/1982 Brendgord et al. D24/217
- D. 264,124 4/1982 Brendgord et al. D24/217

- 1,446,994 2/1923 Sieben 422/27
- 4,238,447 12/1980 Wolff 422/26
- 4,284,600 8/1981 Gillis et al. 422/26
- 4,915,606 4/1990 Shimokawa 422/26
- 5,491,092 2/1996 Colvin 422/26

OTHER PUBLICATIONS

Fischer Catalog Steam Generator for steralizers, p. 1533, Dec. 1994.

Primary Examiner—Louis S. Zarfes
Assistant Examiner—Gregory Andoll
Attorney, Agent, or Firm—Birch, Stewart, Kolasch & Birch, LLP

[57] **CLAIM**

The ornamental design for a sterilizer, as shown and described.

DESCRIPTION

FIG. 1 is a front, right perspective view of the sterilizer showing our new design;

FIG. 2 is a rear, left, bottom perspective view thereof; and,

FIG. 3 is a front, left perspective view thereof showing the door on the front in a half-open position.

The top of the sterilizer forms no part of the claimed design.

1 Claim, 3 Drawing Sheets

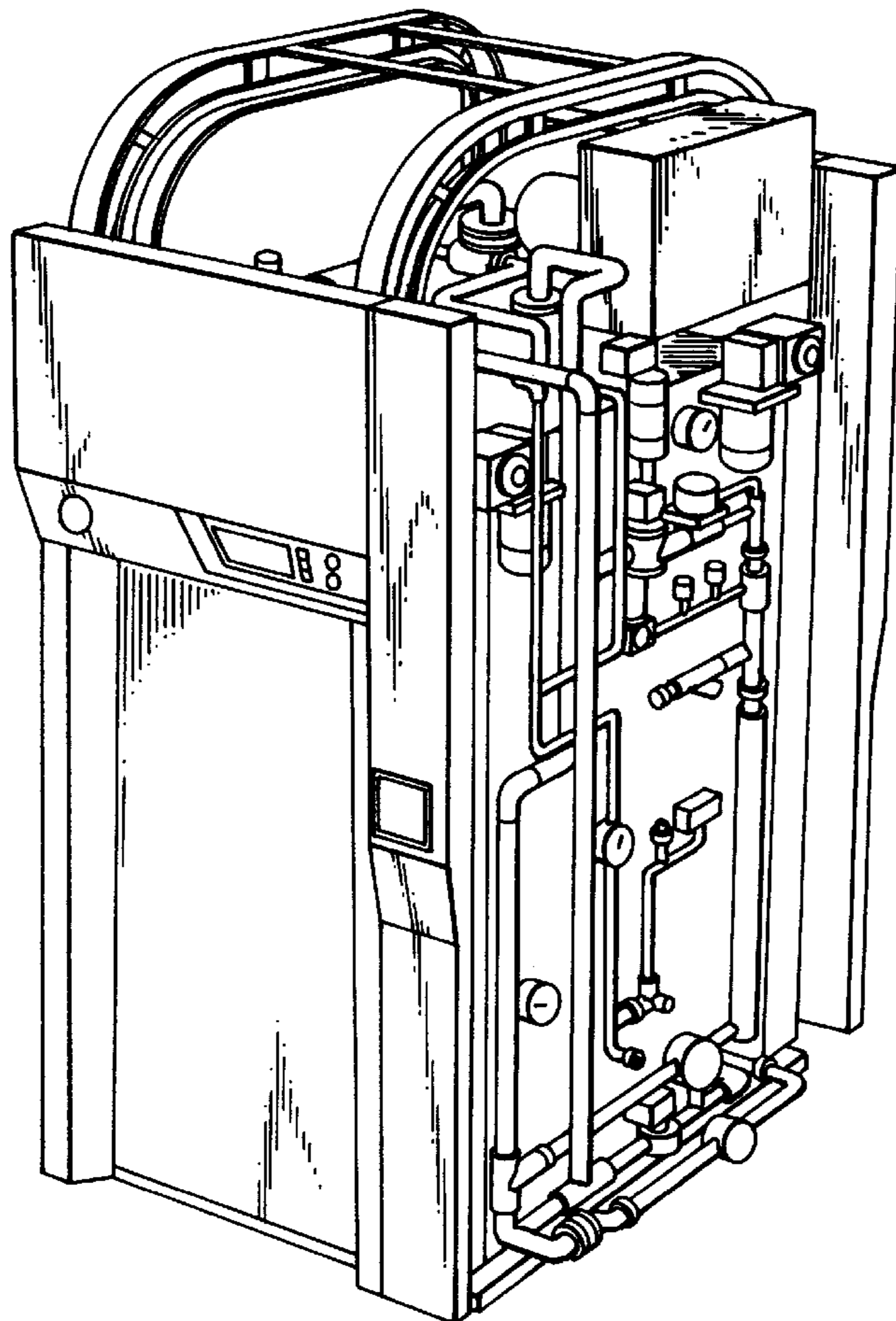


FIG. 1

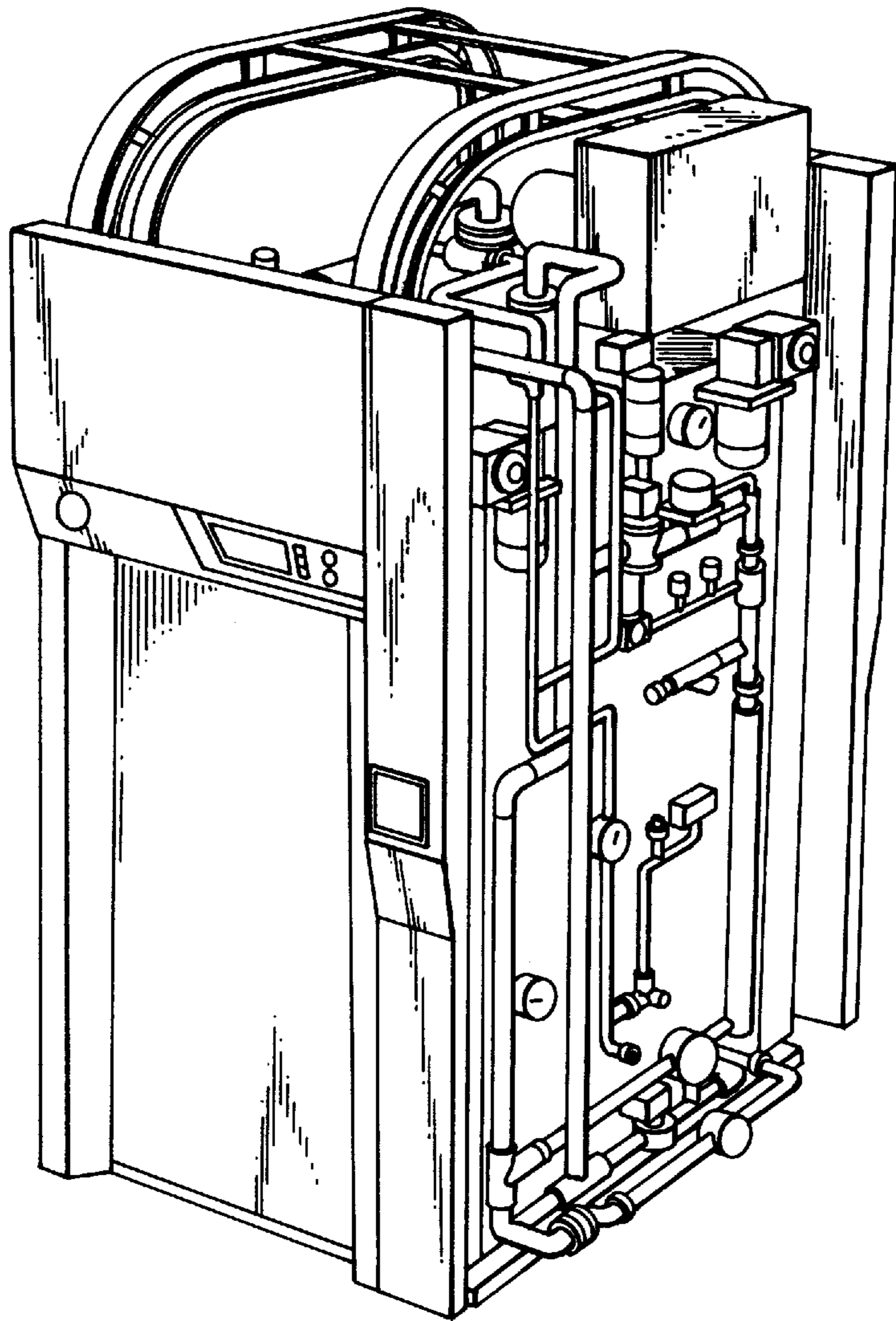


FIG. 2

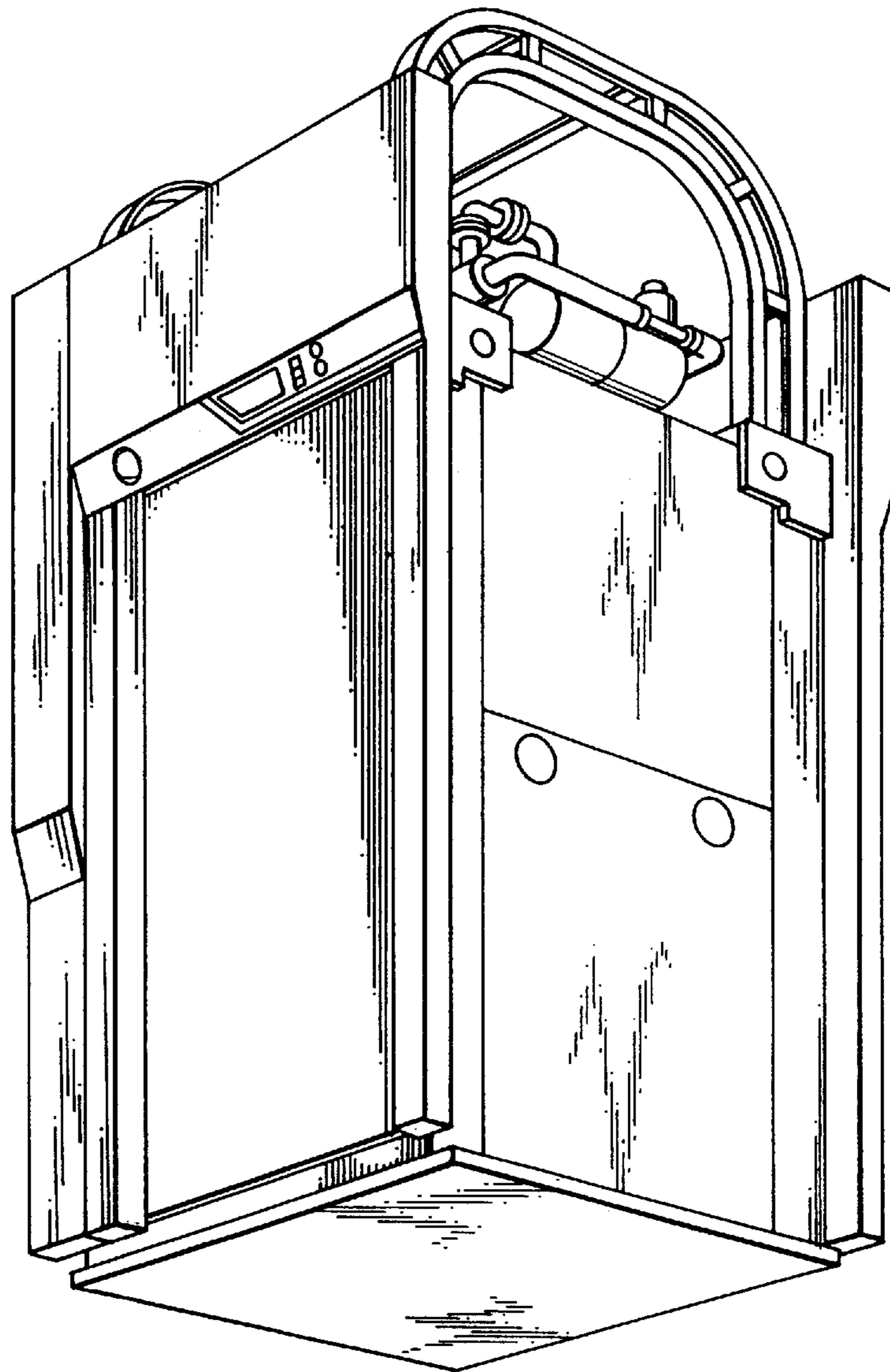


FIG. 3

