



US00D404825S

**United States Patent** [19]  
**Reed**

[11] **Patent Number: Des. 404,825**

[45] **Date of Patent: \*\*Jan. 26, 1999**

[54] **SIMULATED BREAST BABY BOTTLE**

[76] Inventor: **Willie J. Reed**, 1345 99th Ave.,  
Oakland, Calif. 94603-2521

[\*\*] Term: **14 Years**

[21] Appl. No.: **85,175**

[22] Filed: **Mar. 17, 1998**

[51] **LOC (6) Cl.** ..... **07-01**

[52] **U.S. Cl.** ..... **D24/198**

[58] **Field of Search** ..... D24/197, 196,  
D24/194, 193; 215/11.1, 11.2, 11.3, 11.4,  
11.5, 11.6; 606/234-236

[56] **References Cited**

**U.S. PATENT DOCUMENTS**

D. 381,752	7/1997	McCoy	.....	D24/196
1,531,101	3/1925	Isaac	.....	215/11.5
1,859,733	5/1932	Fort	.....	215/11.1

5,108,686	4/1992	Griffin	.....	215/11.1
5,653,732	8/1997	Sheehy	.....	606/236
5,690,679	11/1997	Prentiss	.....	606/236

*Primary Examiner*—Stella Reid  
*Attorney, Agent, or Firm*—Goldstein & Carino

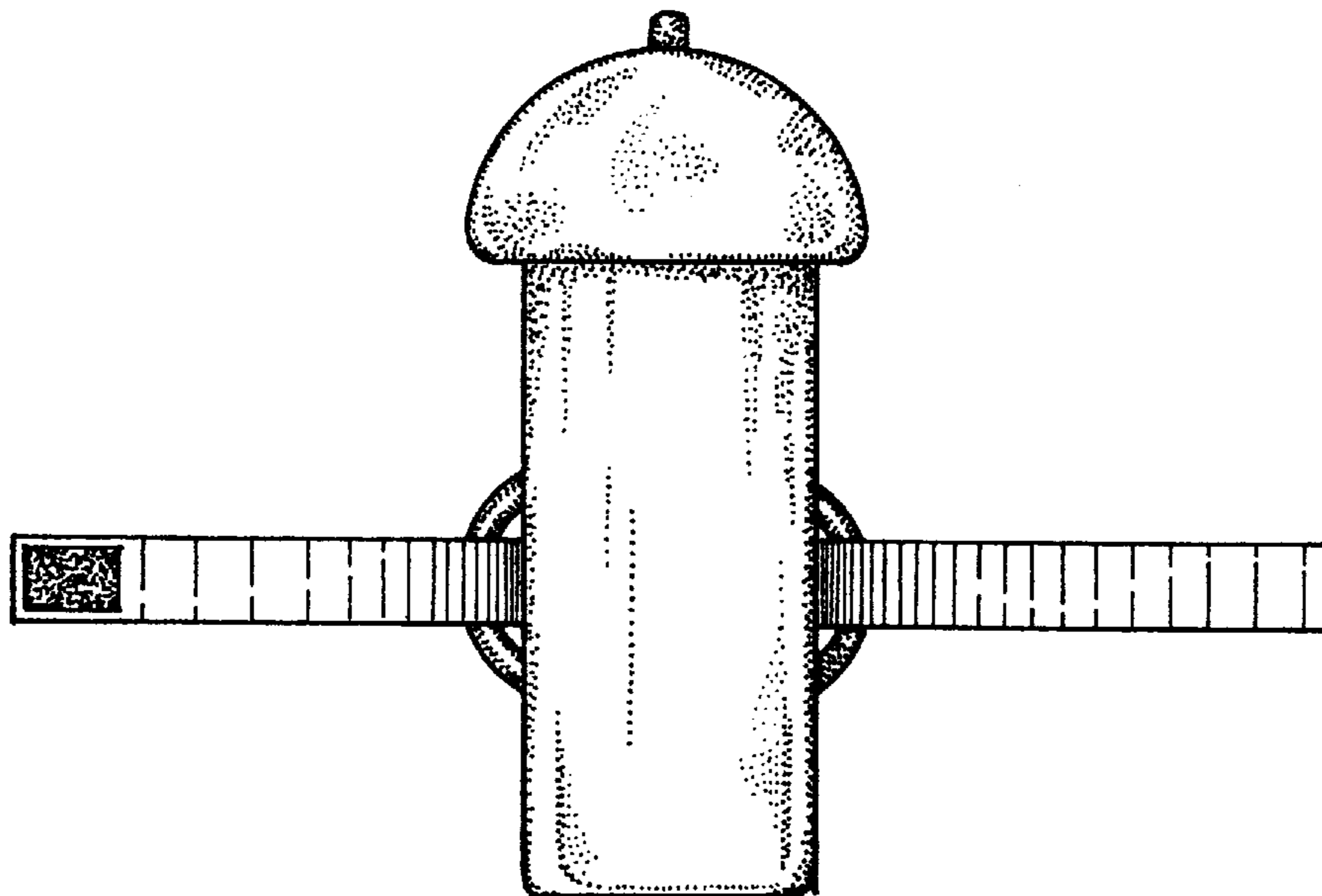
[57] **CLAIM**

The ornamental design for a simulated breast baby bottle, as shown and described.

**DESCRIPTION**

FIG. 1 is a rear elevational view of the simulated breast baby bottle;  
FIG. 2 is a front elevational view thereof;  
FIG. 3 is a left side elevational view thereof;  
FIG. 4 is a right side elevational view thereof;  
FIG. 5 is a top plan view of the simulated breast baby bottle;  
and,  
FIG. 6 is a bottom plan view thereof.

**1 Claim, 2 Drawing Sheets**



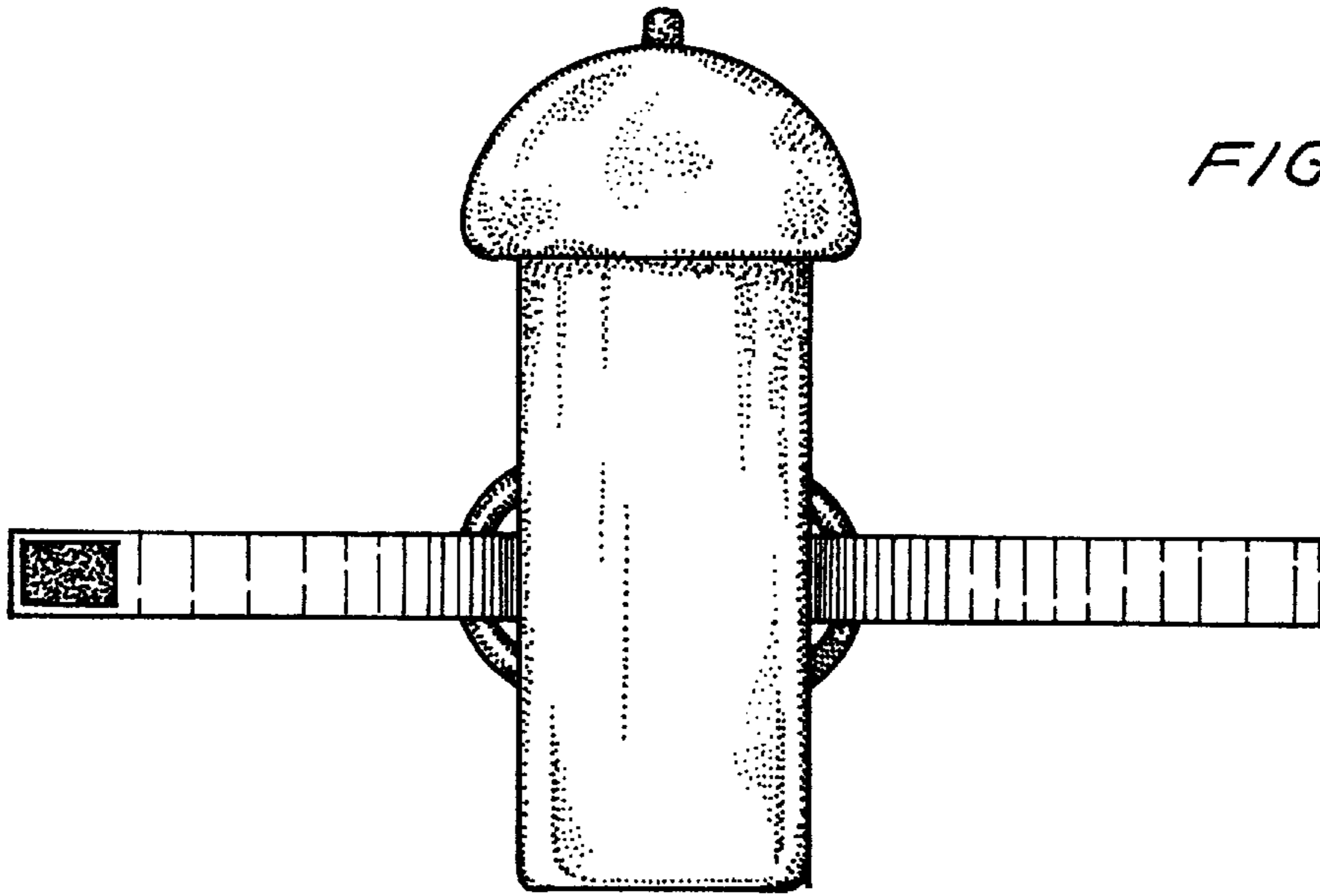


FIG. 1

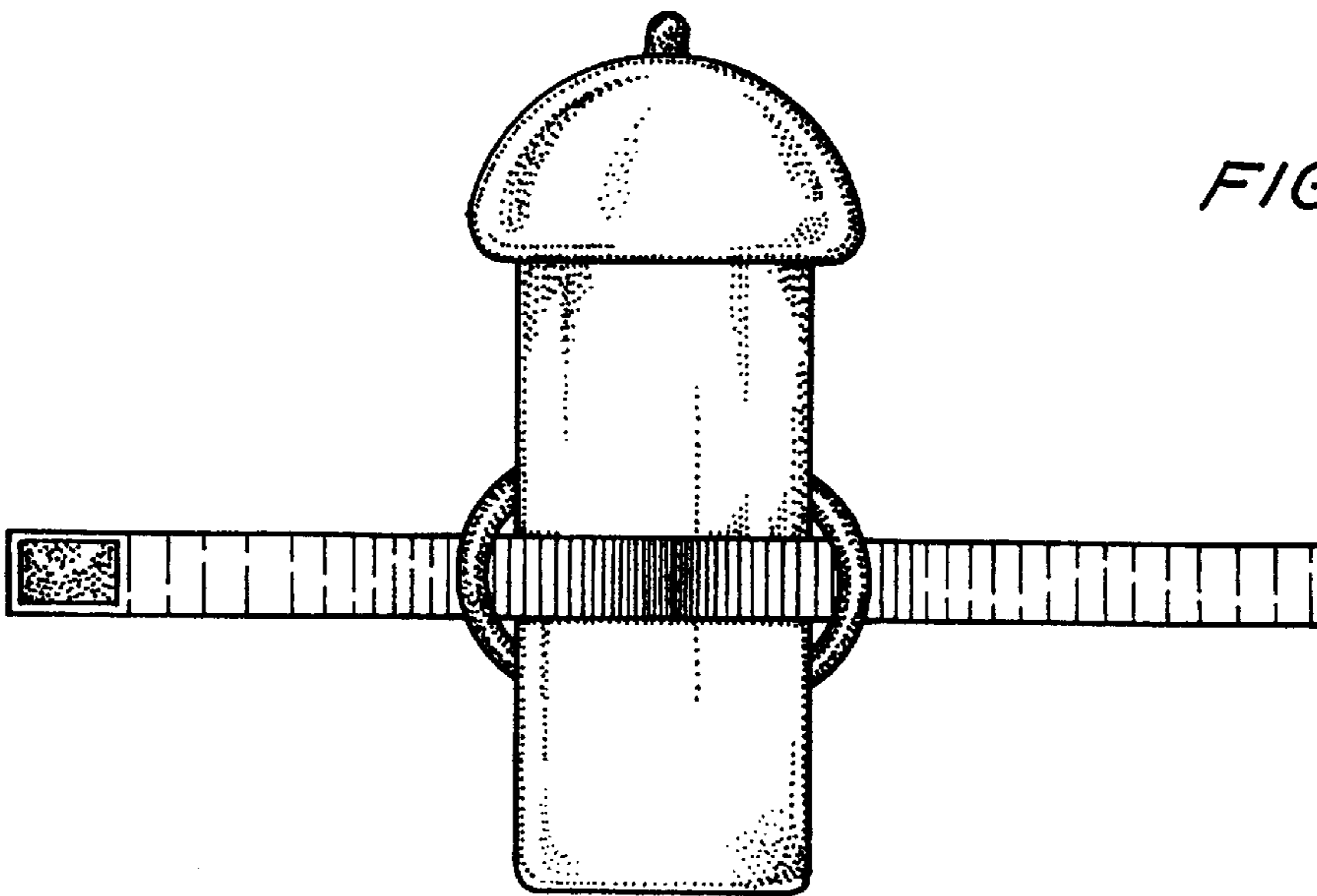


FIG. 2

FIG. 3

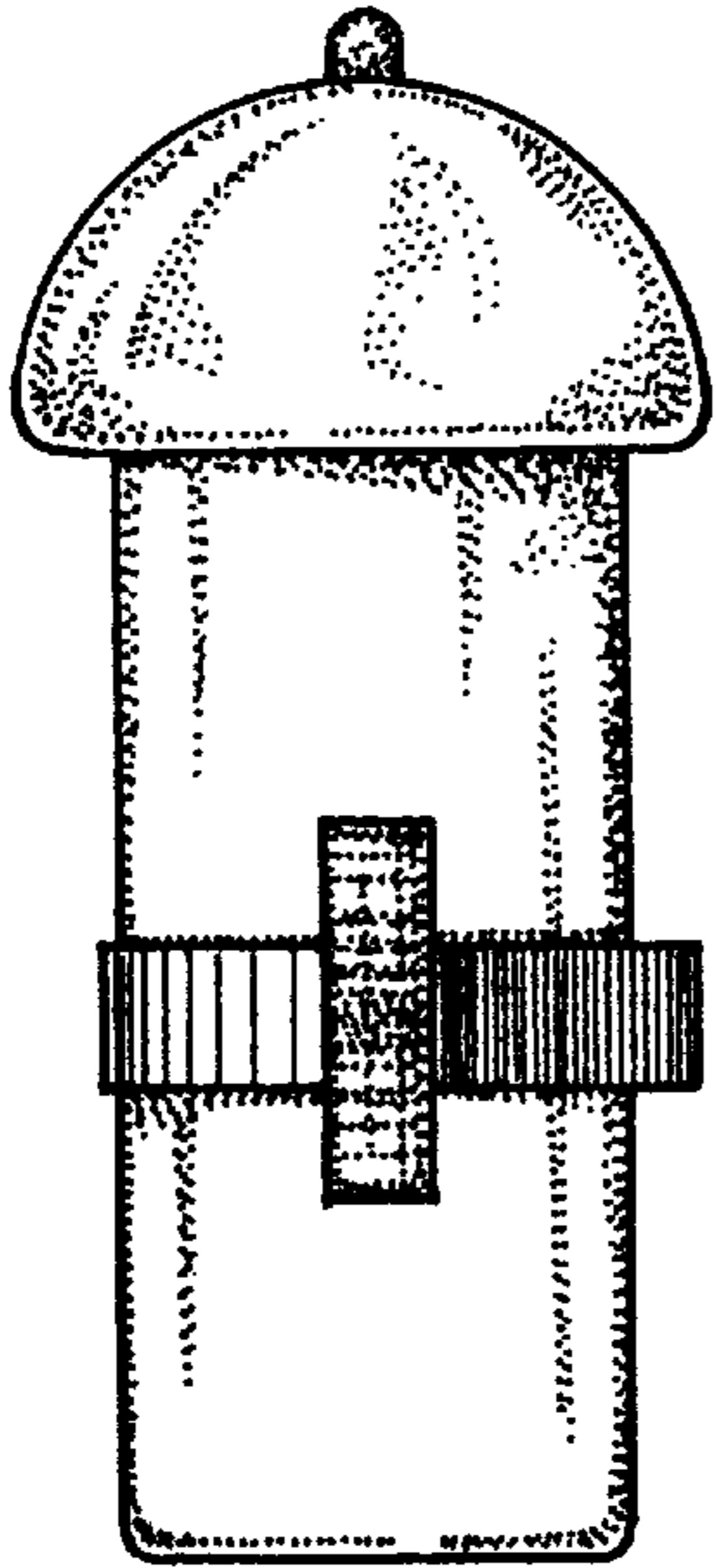


FIG. 4

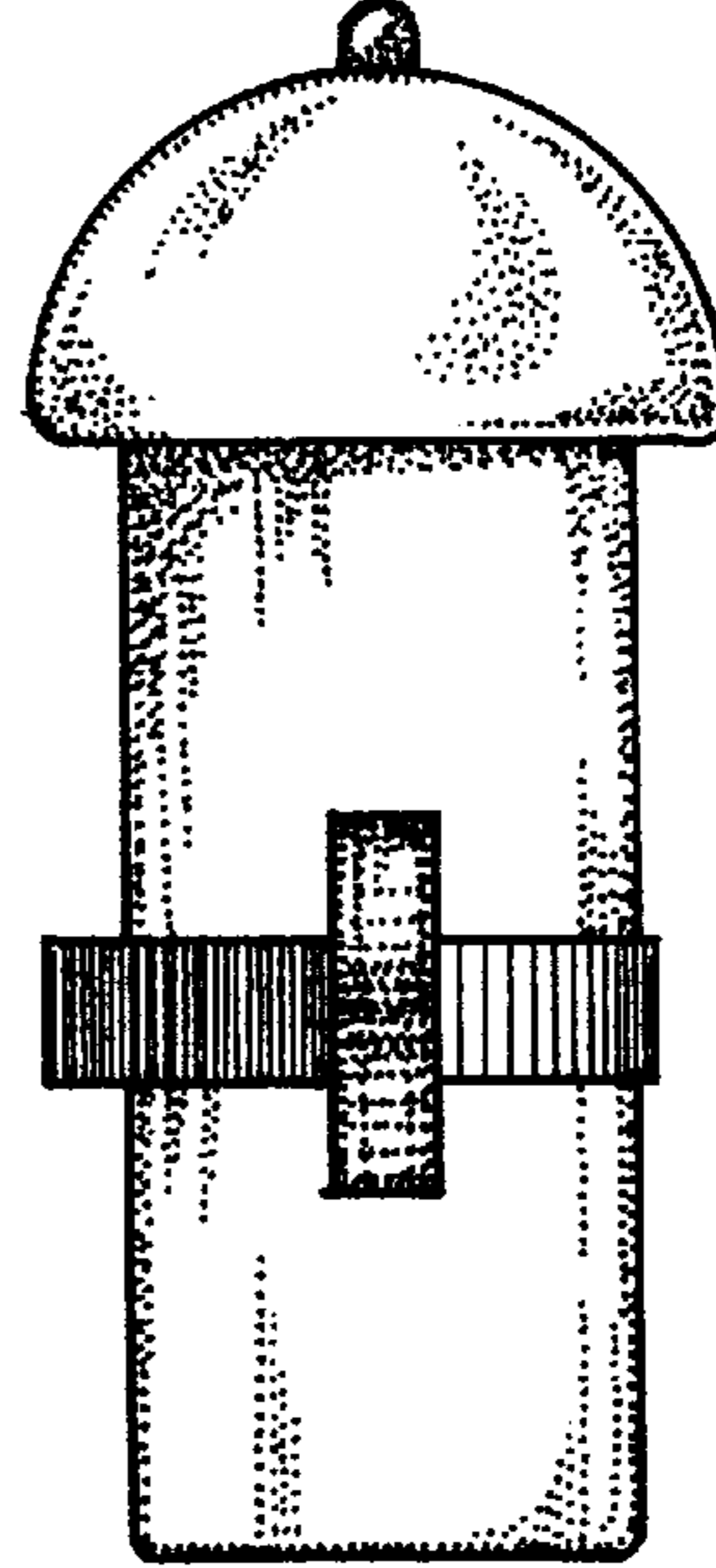


FIG. 5

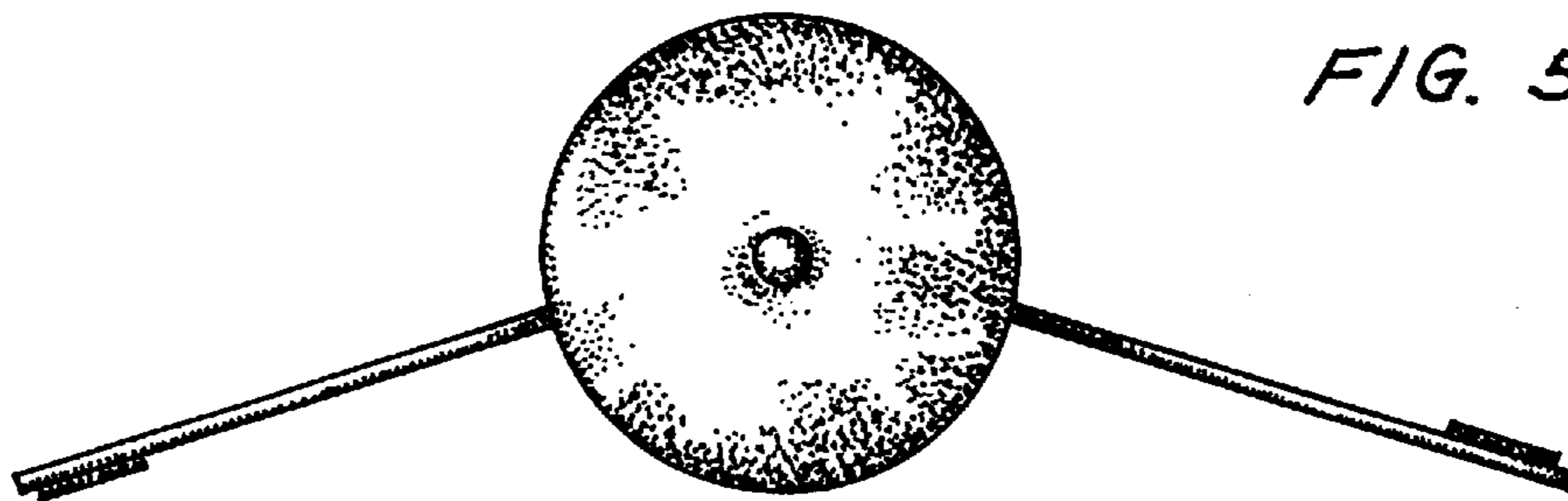


FIG. 6

