

US00D404823S

United States Patent [19] Mariscal

[11] **Patent Number: Des. 404,823**

[45] **Date of Patent: **Jan. 26, 1999**

[54] **DISPOSABLE BABY BOTTLE**

5,669,520 9/1997 Simpson 215/11.1

[76] Inventor: **Johnnie M Mariscal**, 728 Pippo Ave.
P.O. Box 392, Brentwood, Calif.
94513-0392

Primary Examiner—Stella Reid

[**] Term: **14 Years**

[57] CLAIM

[21] Appl. No.: **85,252**

The ornamental design for a disposable baby bottle, as shown.

[22] Filed: **Mar. 19, 1998**

DESCRIPTION

[51] **LOC (6) Cl.** **07-01**

FIG. 1 is a front elevational view of the disposable baby bottle of the present invention;

[52] **U.S. Cl.** **D24/197**

FIG. 2 is a back elevational view of the disposable baby bottle of FIG. 1;

[58] **Field of Search** D24/197; 215/11.1,
215/11.2, 11.3, 11.4, 11.5, 11.6

FIG. 3 is a left side elevational view of the disposable baby bottle of FIG. 1;

[56] References Cited

FIG. 4 is a right side elevational view of the disposable baby bottle of FIG. 1;

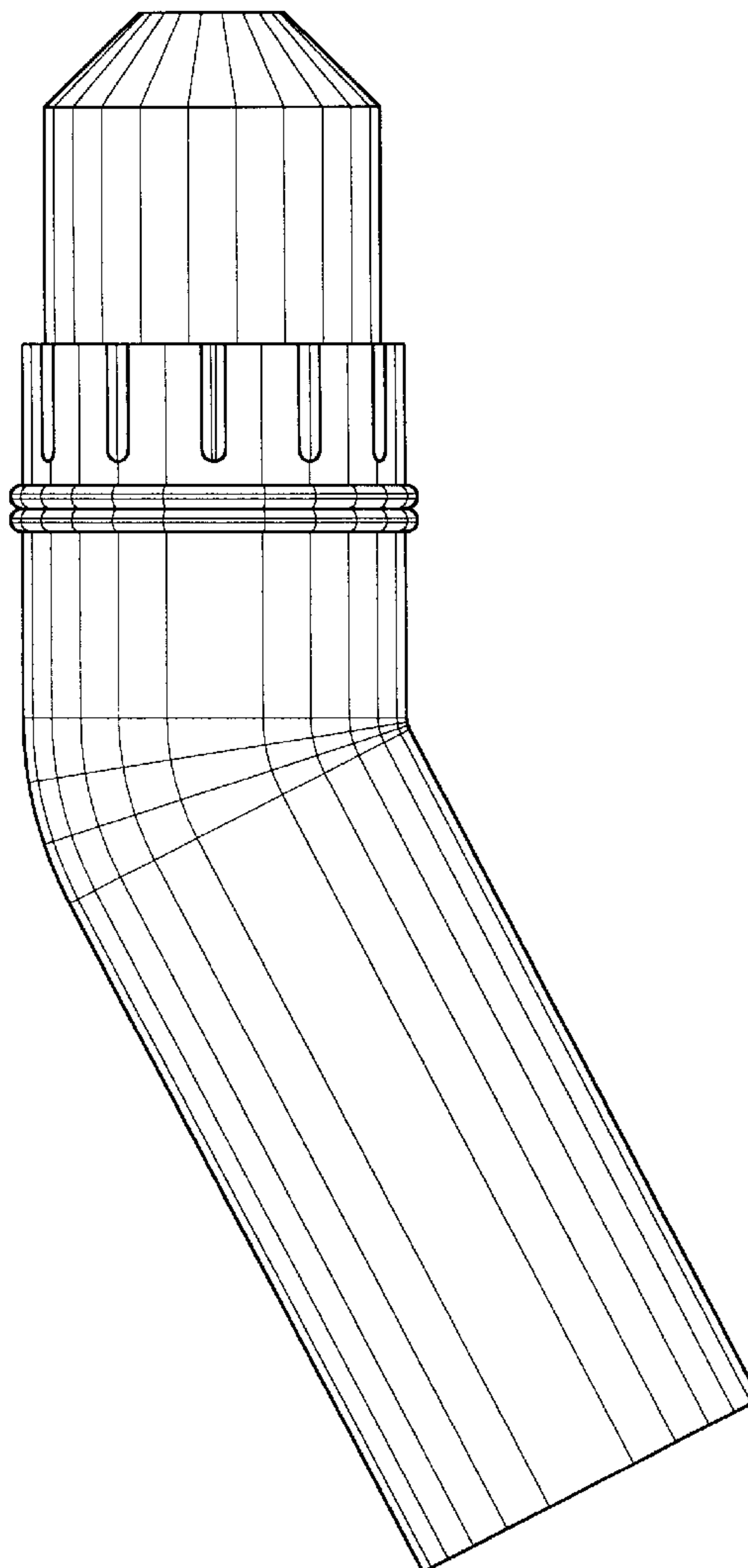
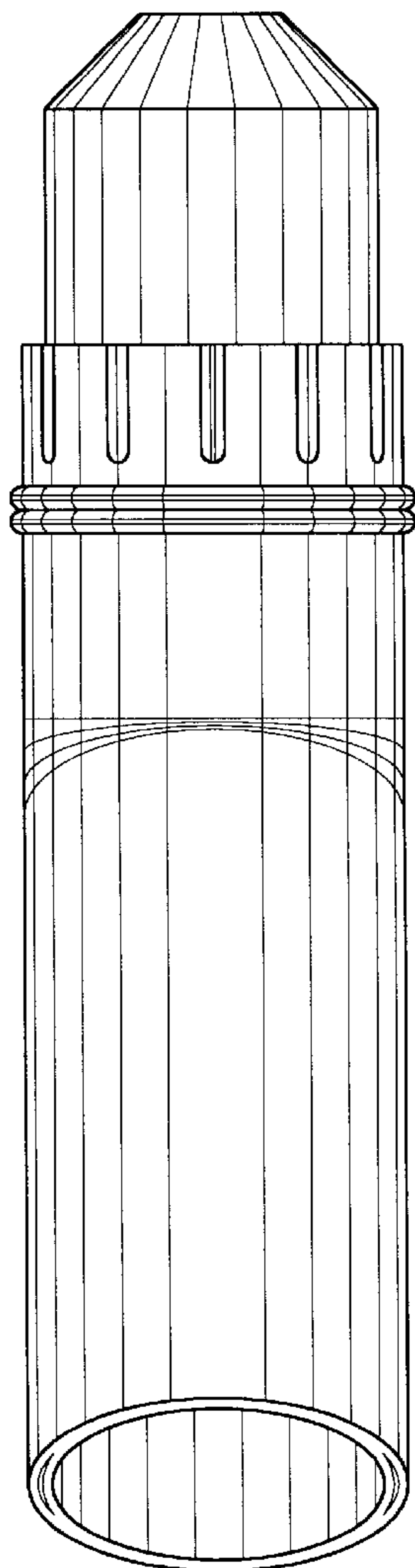
U.S. PATENT DOCUMENTS

FIG. 5 is a top plan view of the disposable baby bottle of FIG. 1; and,

- D. 326,523 5/1992 Chen et al. D24/197
- D. 353,204 12/1994 Neff et al. D24/197
- D. 370,388 6/1996 Cusick et al. D9/302 X
- 5,020,680 6/1991 Bale 215/11.6
- 5,588,548 12/1996 Brankley 215/11.1 X

FIG. 6 is a bottom plan view of the disposable baby bottle of FIG. 1.

1 Claim, 3 Drawing Sheets



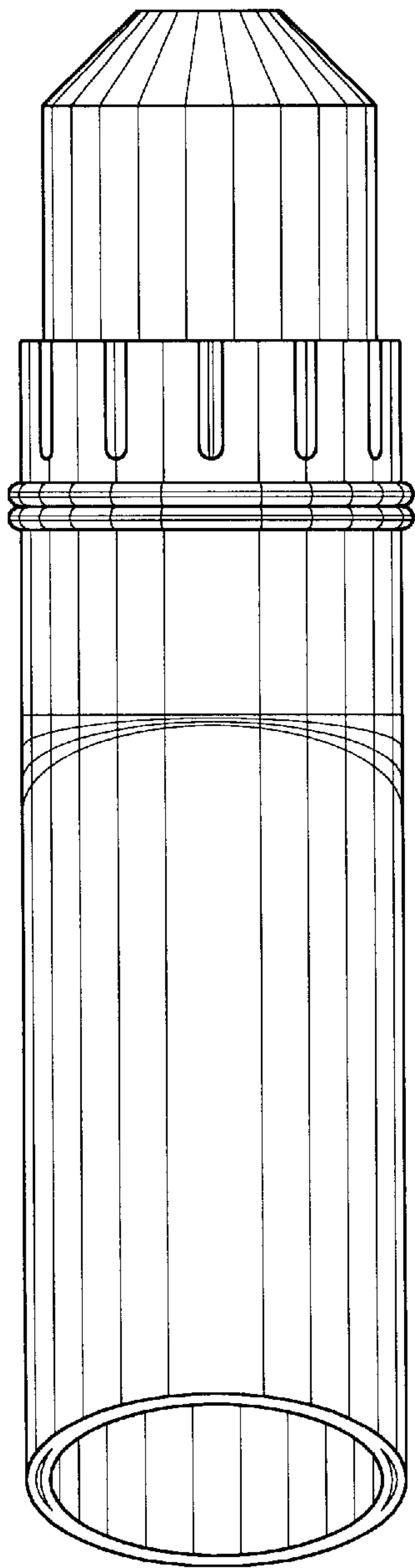


Fig. 1

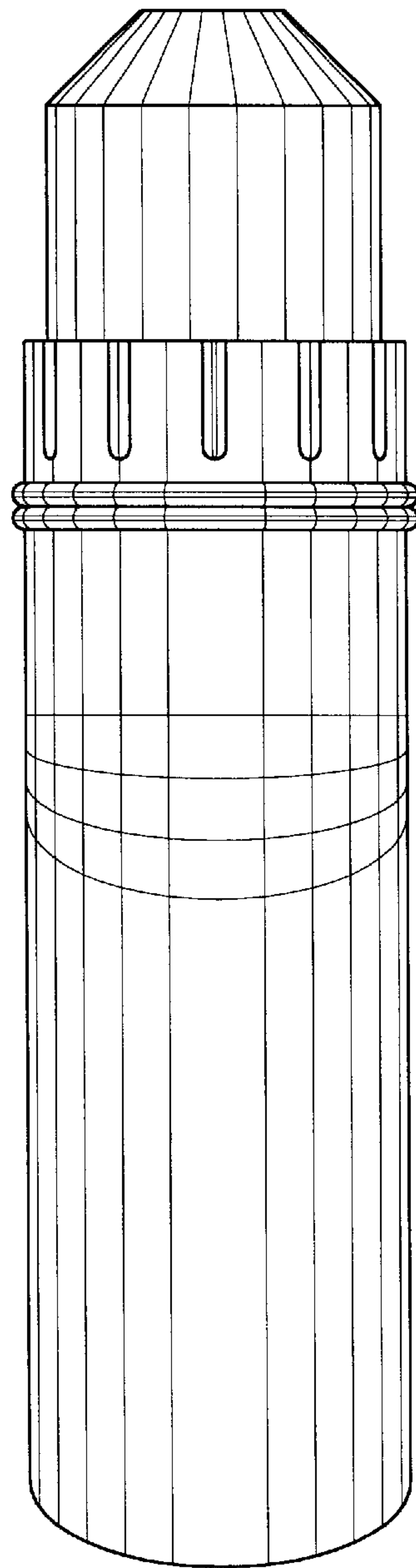


Fig. 2

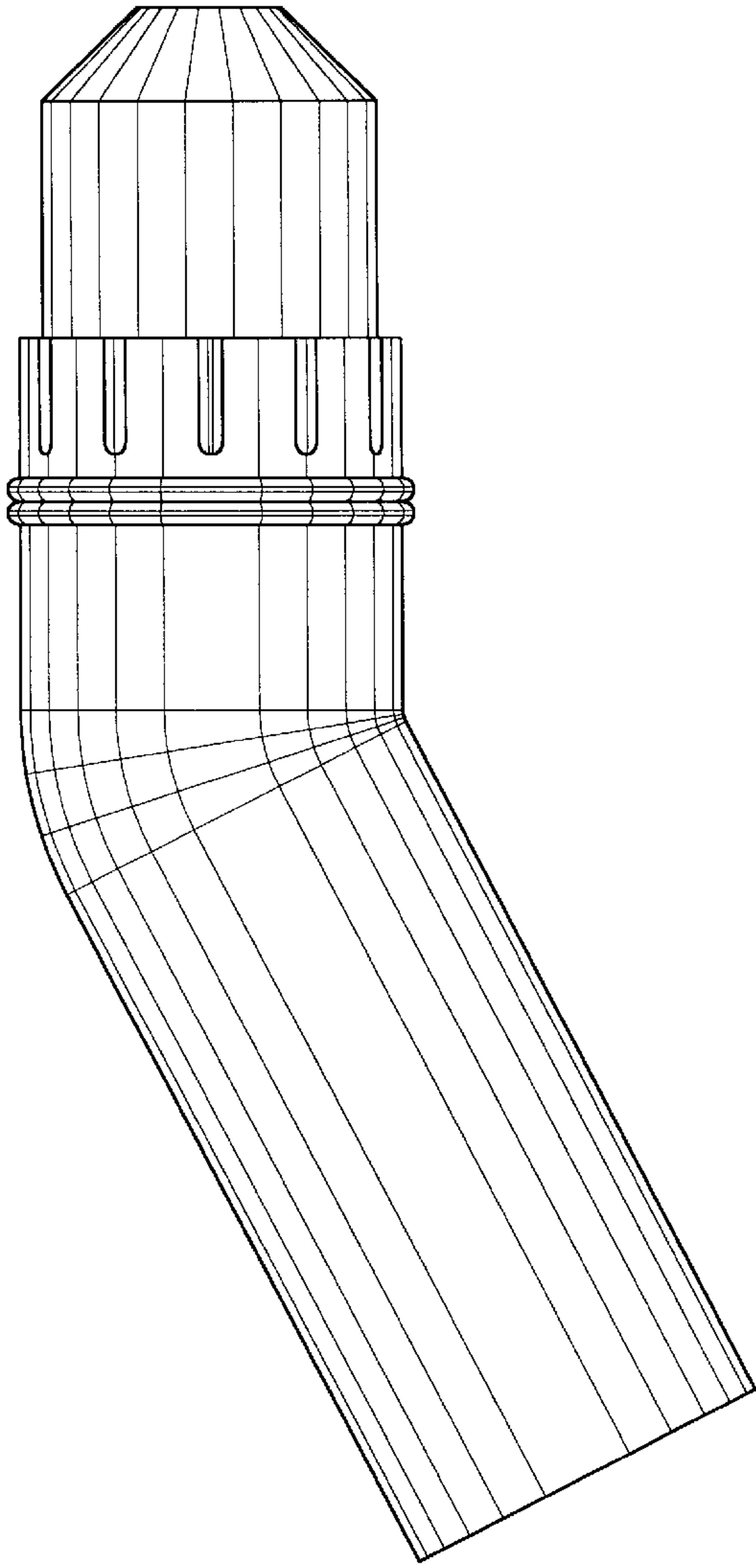


Fig. 3

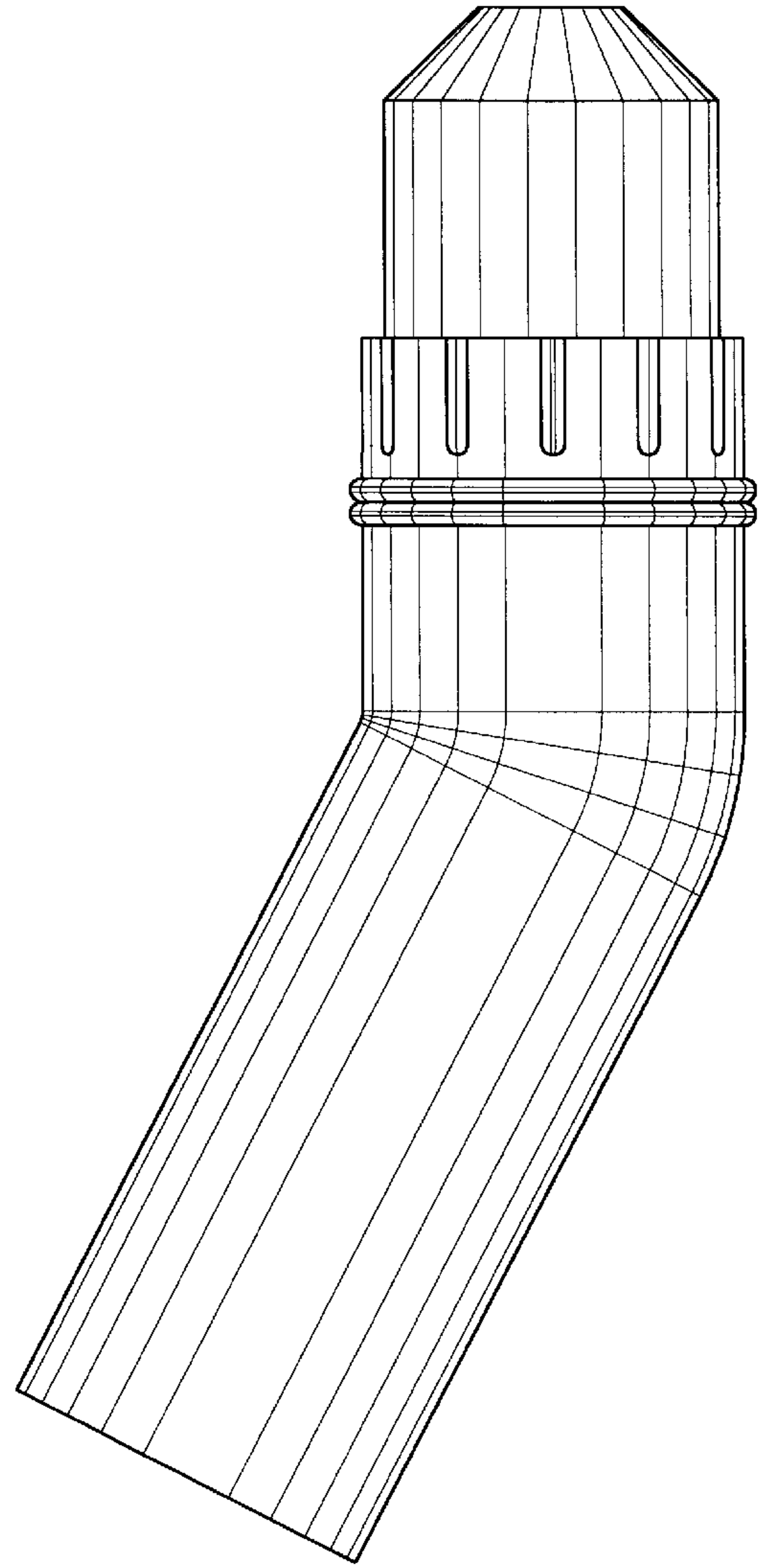


Fig. 4

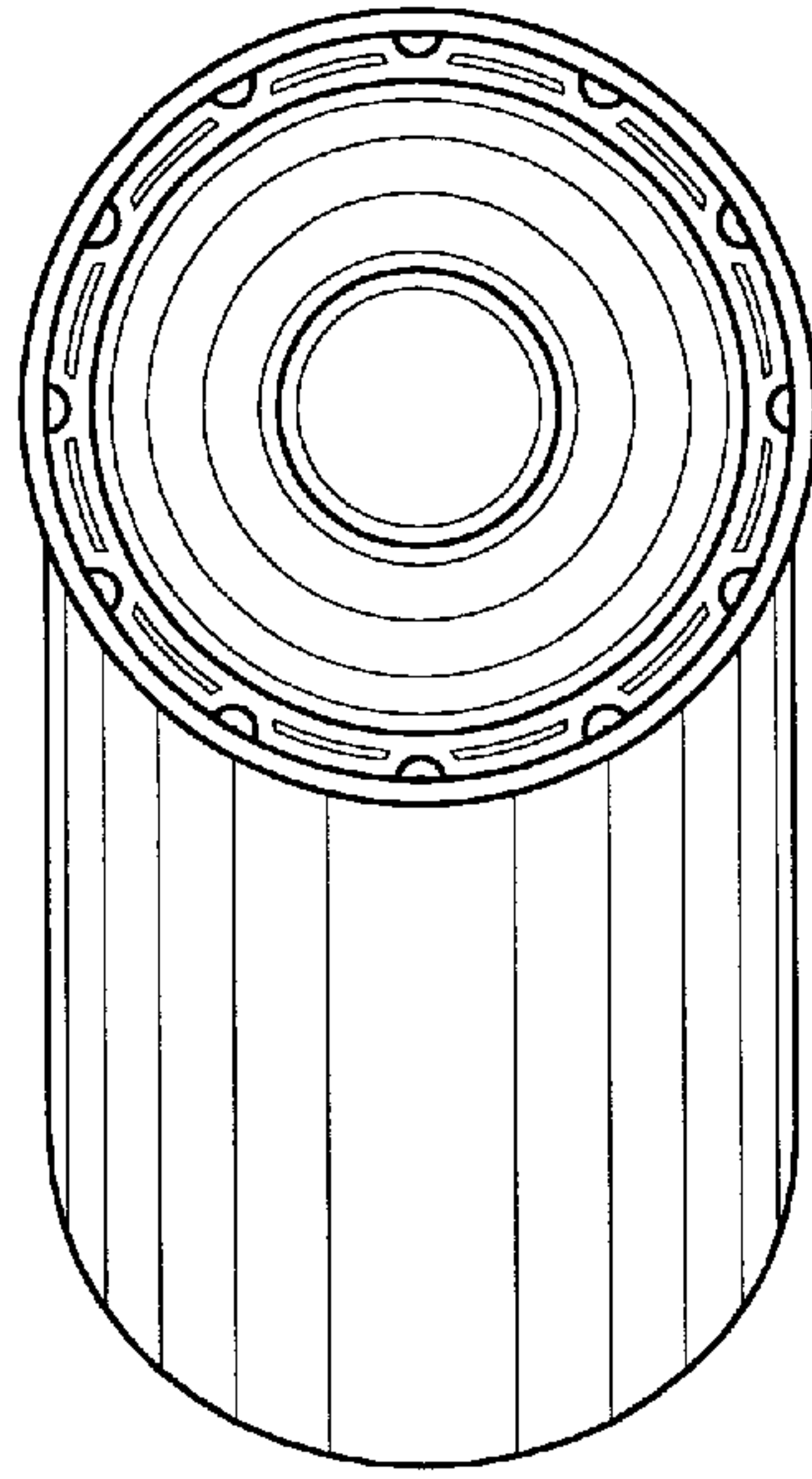


Fig. 5

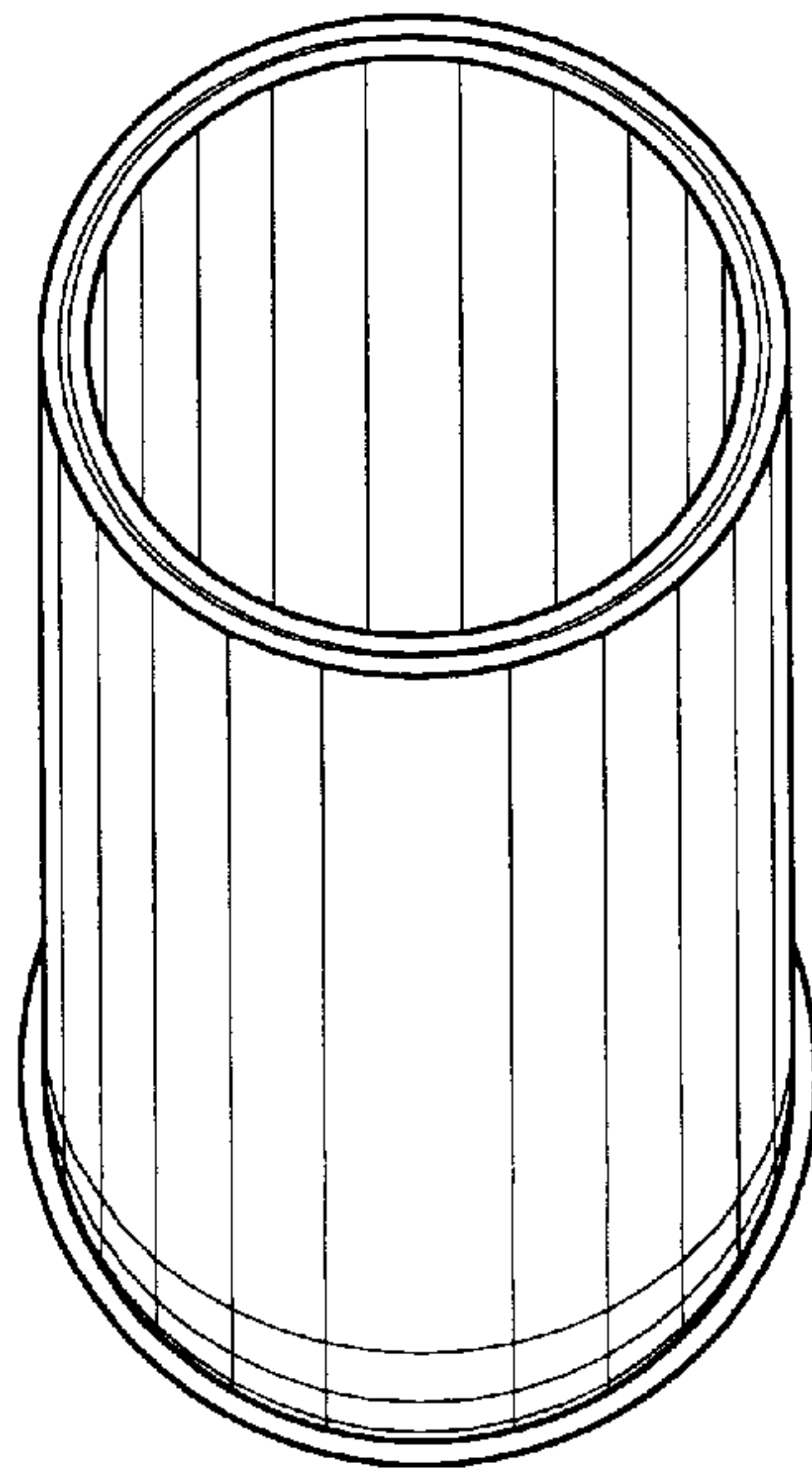


Fig. 6