



US00D404822S

United States Patent [19]
Galustyan

[11] **Patent Number: Des. 404,822**

[45] **Date of Patent: **Jan. 26, 1999**

[54] **BABY BOTTLE**

[76] Inventor: **Svetlana Galustyan**, 15217 Morrison St., Sherman Oaks, Calif. 91403

[**] Term: **14 Years**

[21] Appl. No.: **78,453**

[22] Filed: **Oct. 24, 1997**

[51] **LOC (6) Cl.** **07-01**

[52] **U.S. Cl.** **D24/197**

[58] **Field of Search** D24/197; 215/11.1, 215/11.2, 11.3, 11.4, 11.5, 11.6, 6

4,603,784	8/1986	Chang	215/11.1
4,703,863	11/1987	Kohus .	
4,778,068	10/1988	Kohus .	
5,086,926	2/1992	Paige et al. .	
5,339,975	8/1994	Stoner .	
5,401,200	3/1995	Ellis .	
5,422,129	6/1995	Draddy .	
5,535,908	7/1996	Sheu .	
5,573,133	11/1996	Park .	

Primary Examiner—Stella Reid
Attorney, Agent, or Firm—Kelly Bauersfeld Lowry & Kelley, LLP

[57] **CLAIM**

The ornamental design for a baby bottle, as shown.

DESCRIPTION

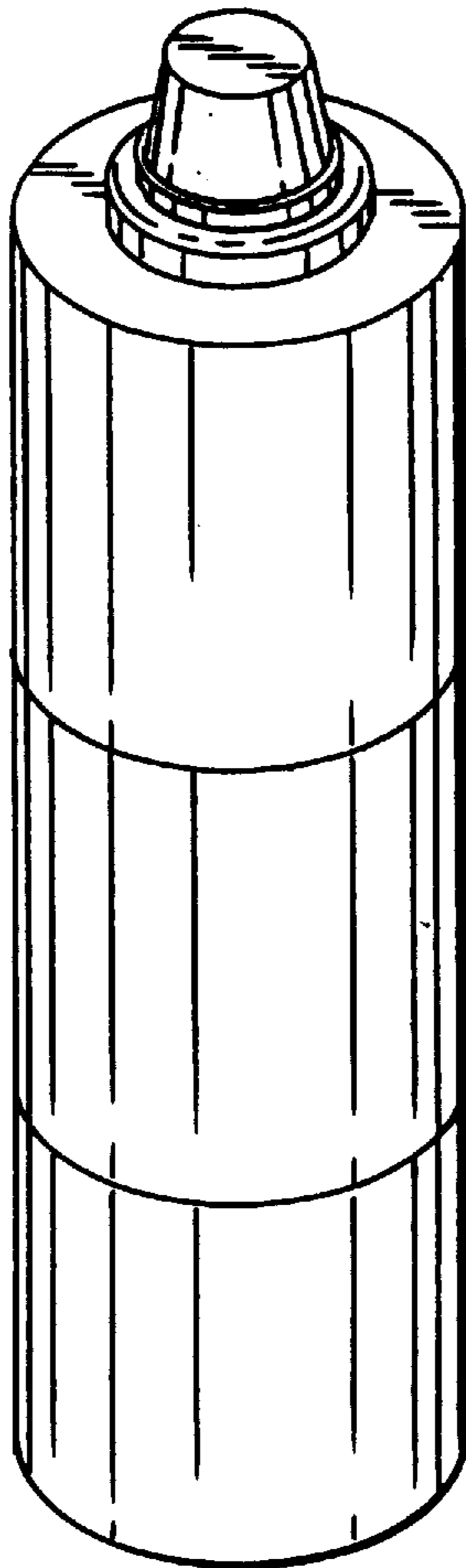
FIG. 1 is a top and front exploded perspective view of a baby bottle embodying my new design;
FIG. 2 is a top and side perspective view of the fully assembled baby bottle;
FIG. 3 is a side elevational view thereof;
FIG. 4 is a top plan view thereof; and,
FIG. 5 is a bottom plan view thereof.

[56] **References Cited**

U.S. PATENT DOCUMENTS

D. 311,581	10/1990	Mosley	D24/197
D. 353,204	12/1994	Neff et al.	D24/197
475,231	5/1892	Anderson .	
1,434,460	11/1922	Tibbatts .	
2,836,323	5/1958	Robinson .	
3,067,896	12/1962	Berg et al. .	
4,429,786	2/1984	Hucal .	
4,444,324	4/1984	Grenell .	
4,502,603	3/1985	Hsu	215/11.6

1 Claim, 1 Drawing Sheet



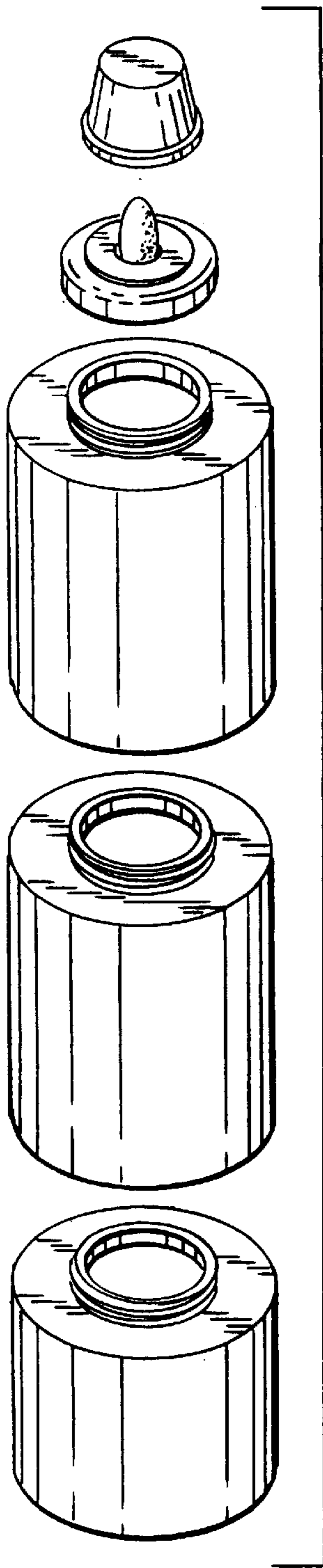


FIG. 1

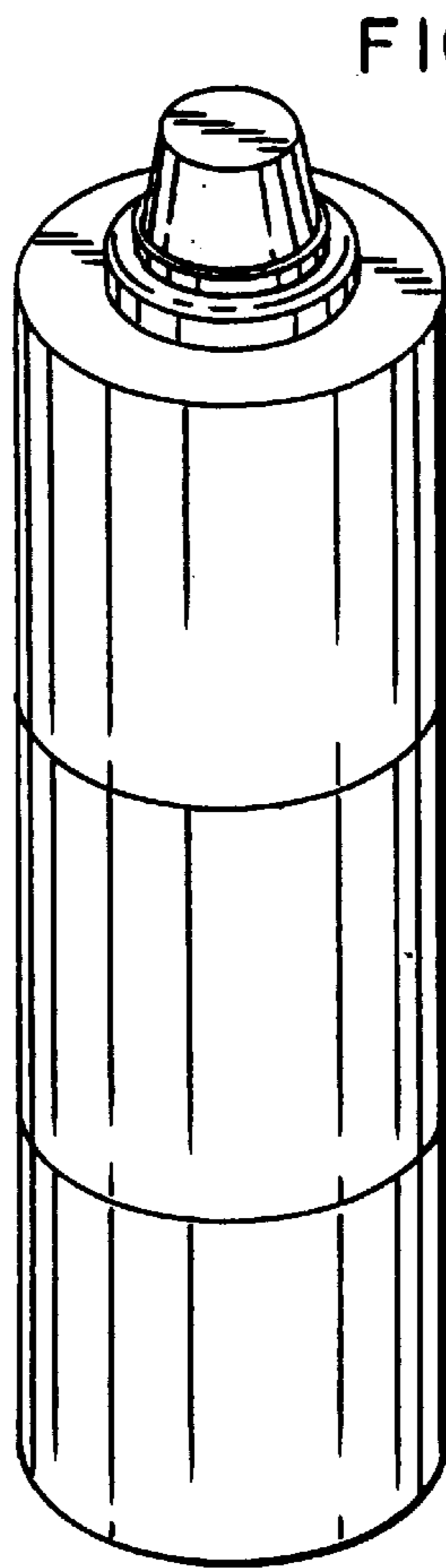


FIG. 2

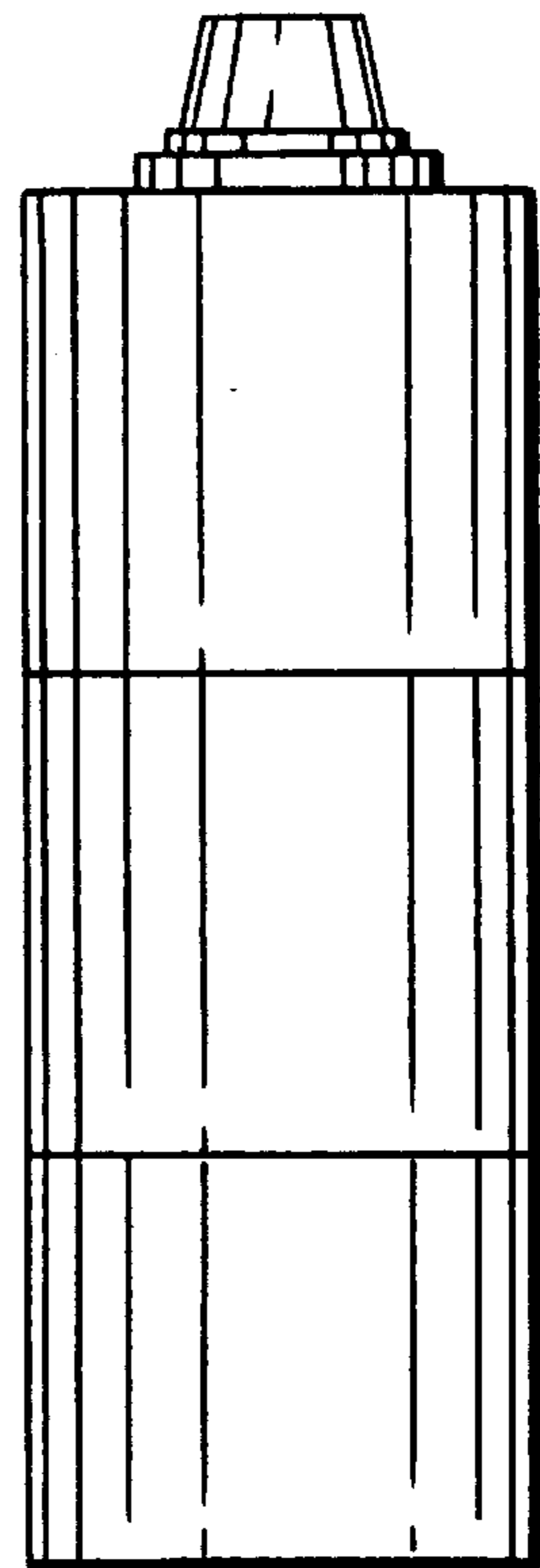


FIG. 3

FIG. 4

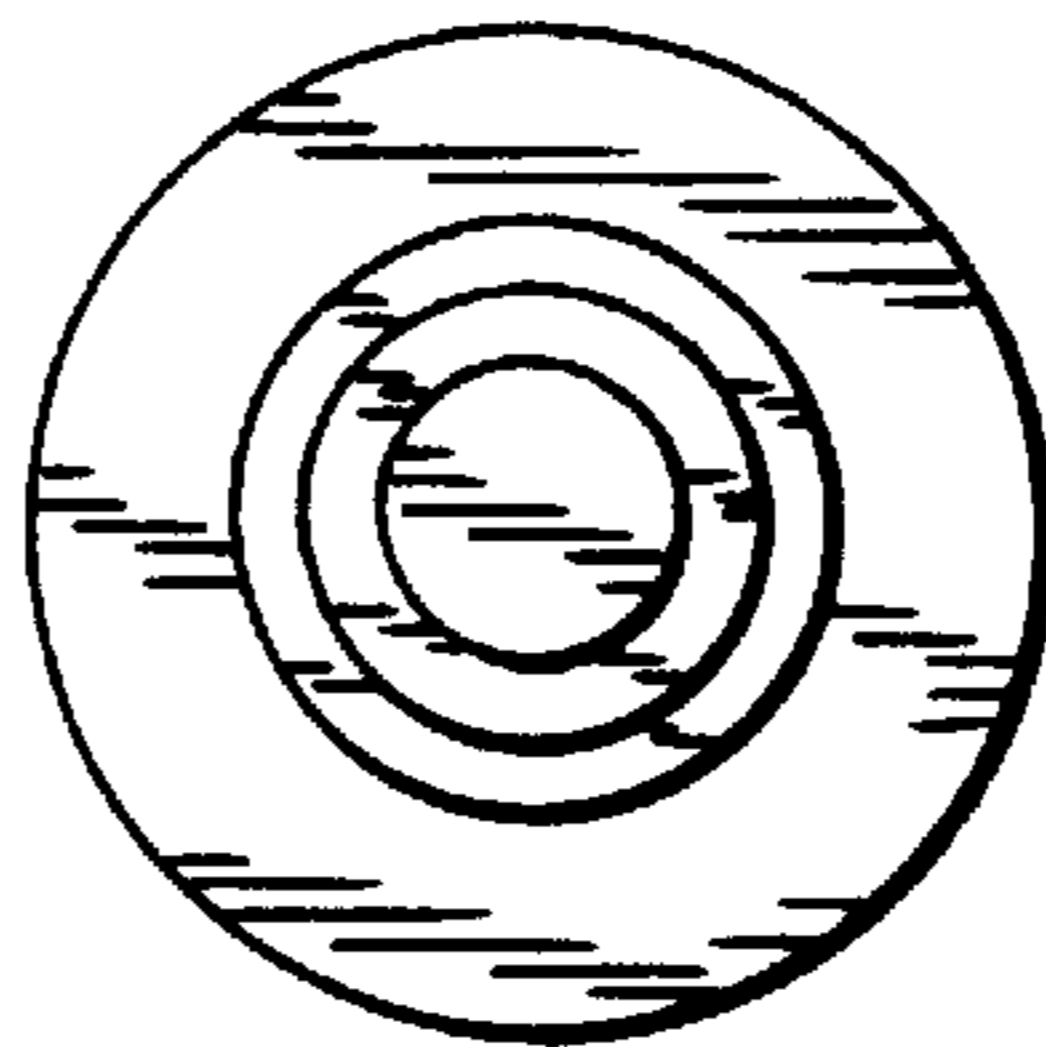


FIG. 5

