



US00D404813S

# United States Patent [19]

Hauser

[11] **Patent Number: Des. 404,813**

[45] **Date of Patent: \*\*Jan. 26, 1999**

[54] **CASSETTE FOR A PROGRAMMABLE INFUSION PUMP**

D. 367,323 2/1996 Carr et al. .... D24/129 X  
4,537,561 8/1985 Xanthopoulos ..... D24/111 X

[75] Inventor: **Jean-Luc Hauser**, Antibes, France

*Primary Examiner*—Stella Reid  
*Attorney, Agent, or Firm*—Ostrolenk, Faber, Gerb & Soffen, LLP

[73] Assignee: **Zambon Group S.p.A.**, Italy

[\*\*] Term: **14 Years**

### [57] CLAIM

[21] Appl. No.: **42,372**

The ornamental design for a cassette for a programmable infusion pump, as shown and described.

[22] Filed: **Aug. 9, 1995**

### DESCRIPTION

### [30] Foreign Application Priority Data

Feb. 9, 1995 [FR] France ..... 95 0939

FIG. 1 is a front, top and side perspective view of a cassette for a programmable infusion pump, showing my new design;

[51] **LOC (6) Cl.** ..... **24-01**

FIG. 2 is a side elevational view thereof;

[52] **U.S. Cl.** ..... **D24/111**

FIG. 3 is a rear elevational view thereof;

[58] **Field of Search** ..... D24/111, 108;  
128/DIG. 12, DIG. 13; 604/30, 34, 153,  
198, 151; 417/477, 442

FIG. 4 is a top plan view thereof;

FIG. 5 is a bottom plan view thereof; and,

FIG. 6 is a side elevational view thereof, opposite that shown in FIG. 2.

### [56] References Cited

#### U.S. PATENT DOCUMENTS

D. 357,312 4/1995 Riquier et al. .... D24/111

**1 Claim, 5 Drawing Sheets**

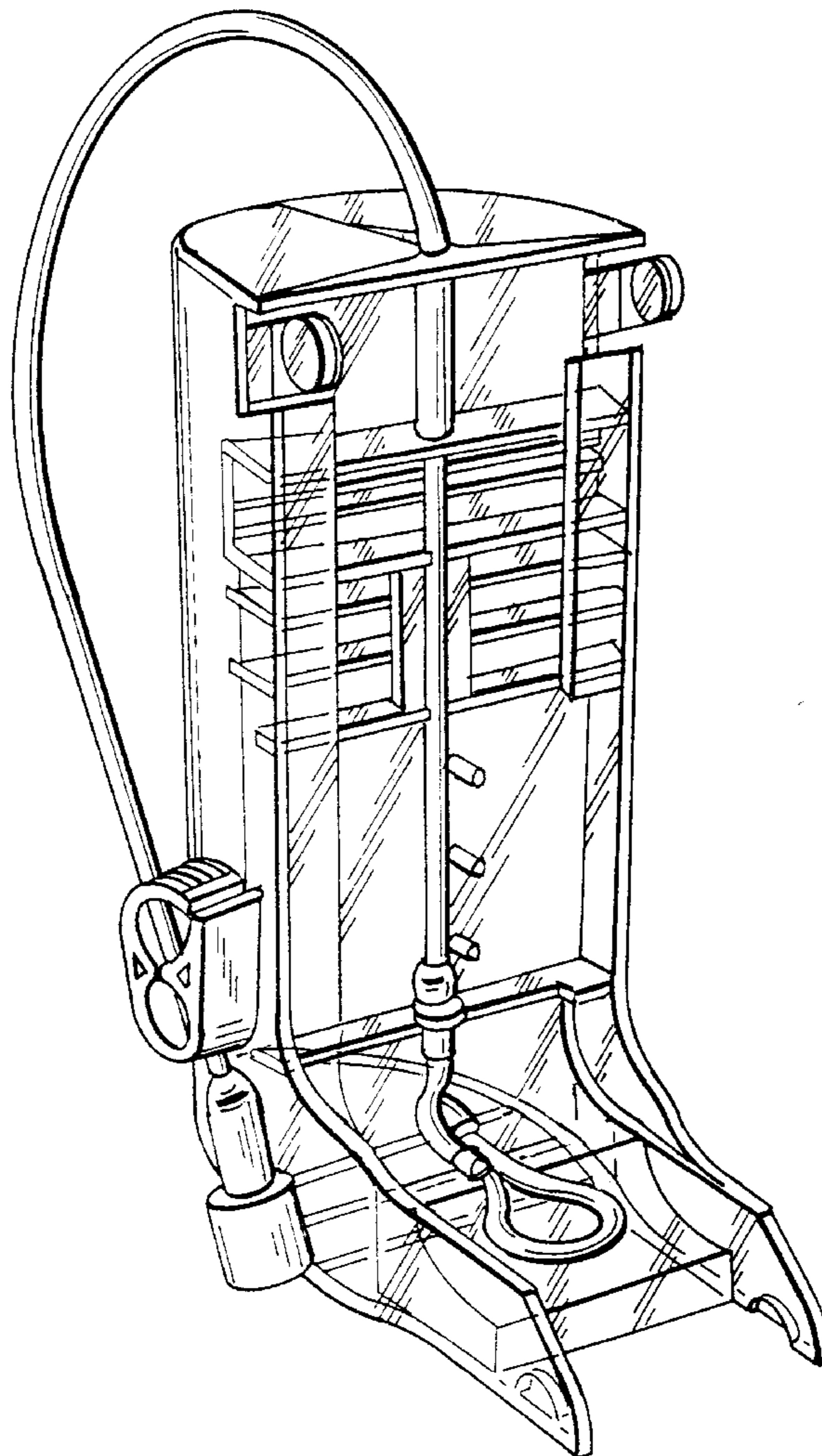
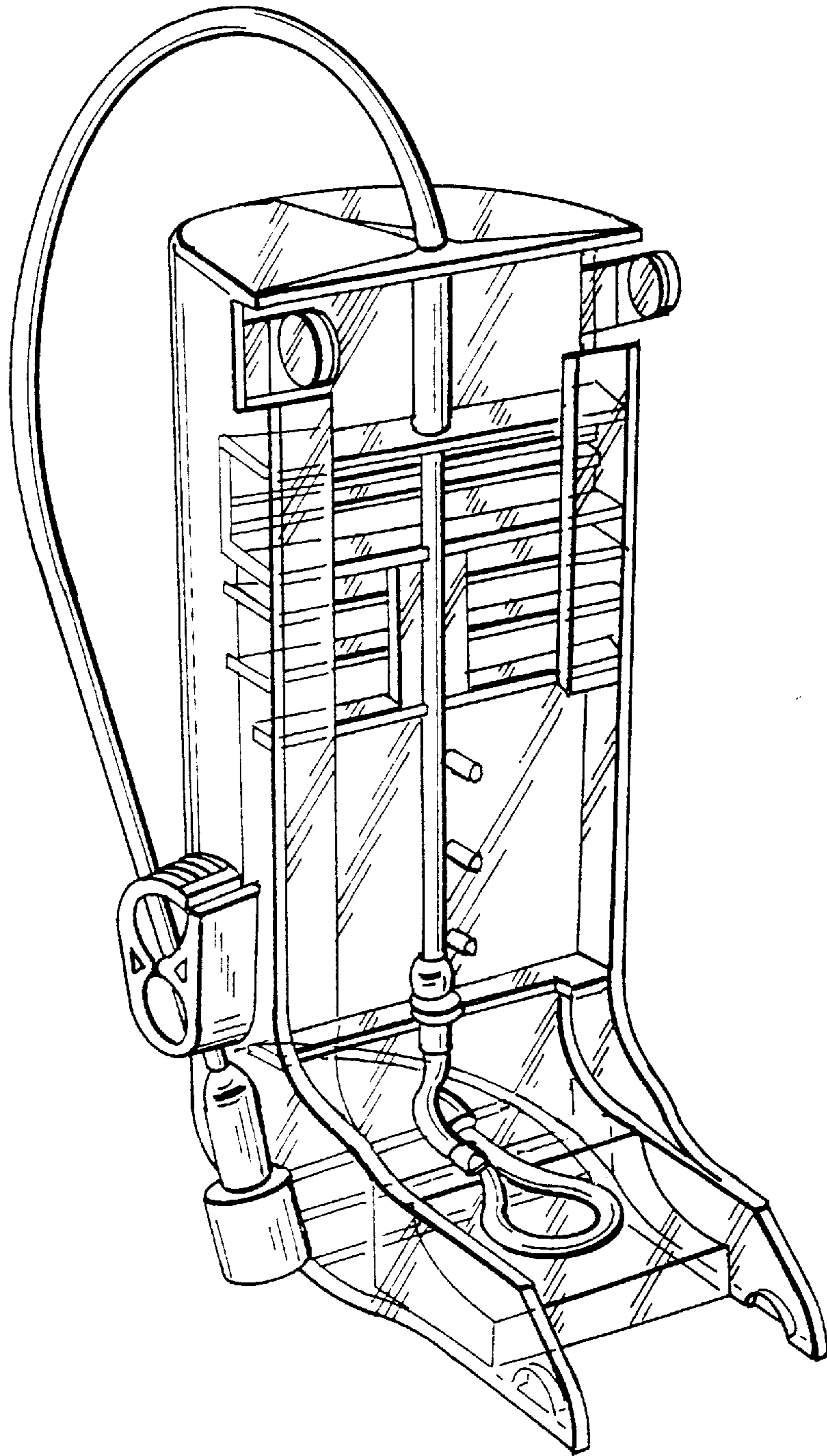


FIG. 1



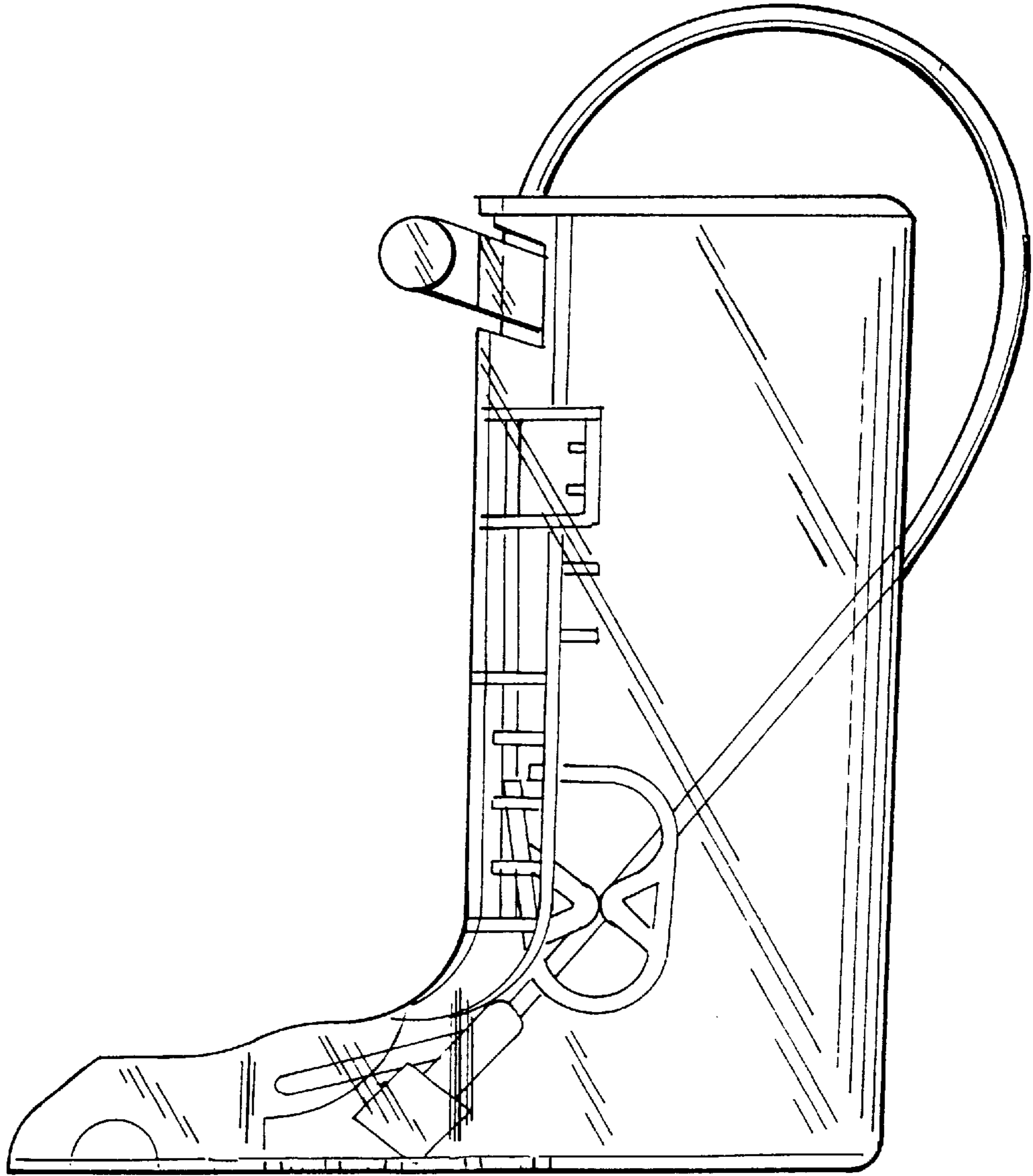


FIG. 2

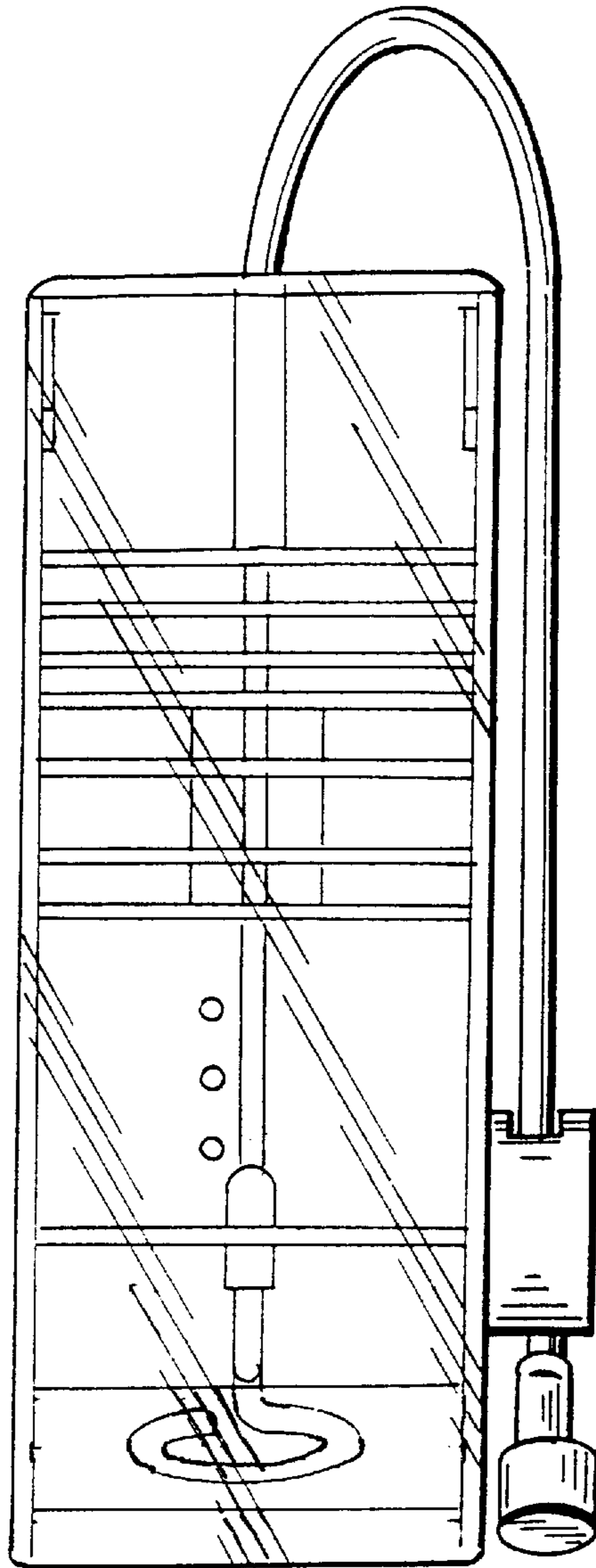


FIG. 3

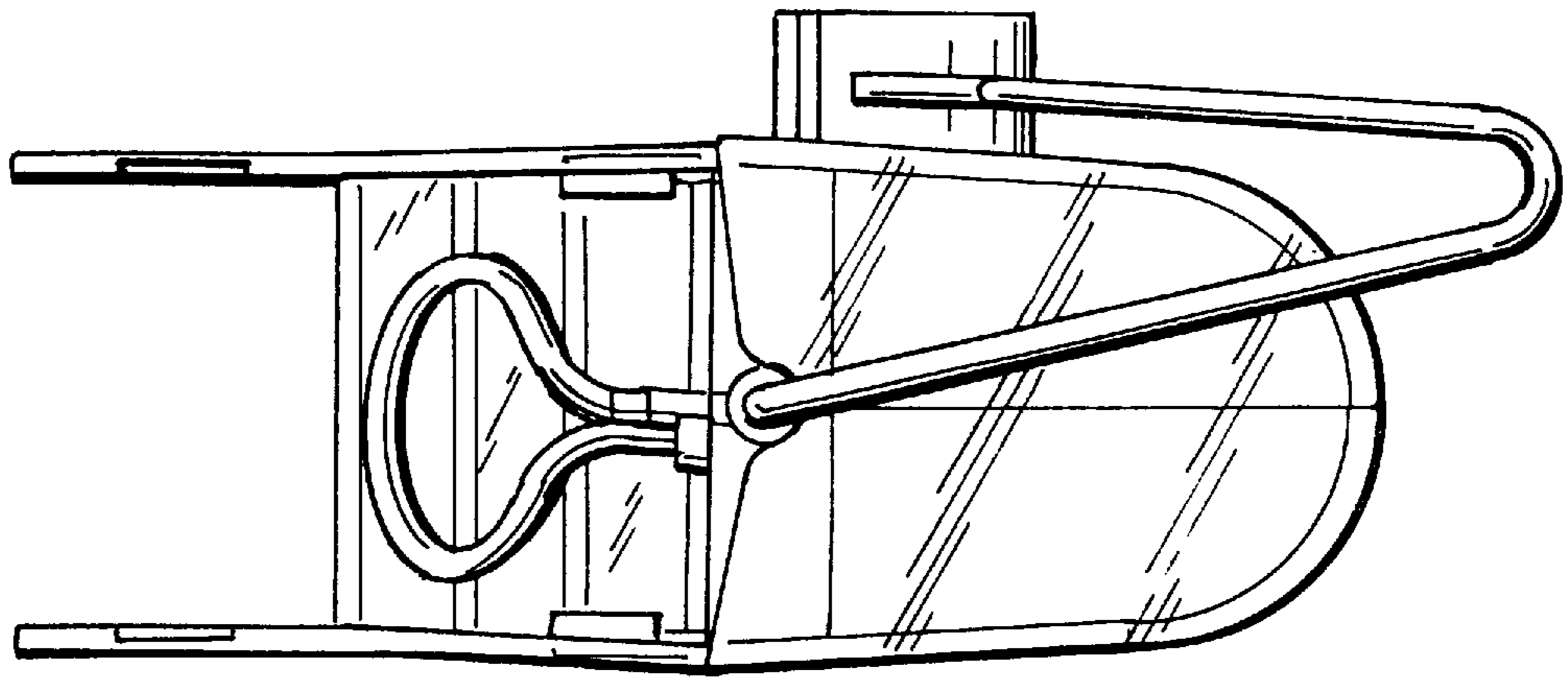


FIG. 4

FIG. 5

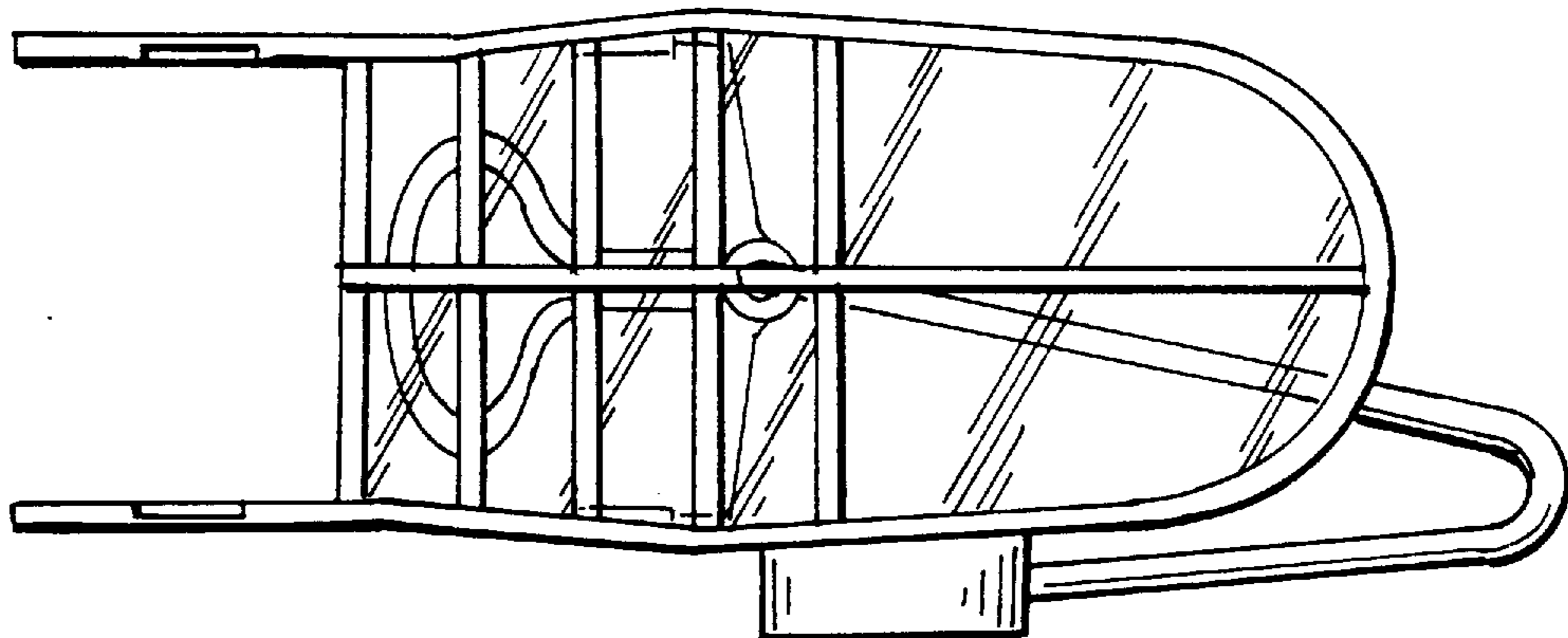


FIG. 6

