



US00D404808S

United States Patent [19] Tai

[11] **Patent Number: Des. 404,808**

[45] **Date of Patent: **Jan. 26, 1999**

[54] **CEILING FAN**

[76] Inventor: **Jen-Lung David Tai**, 5616 W. Aster Dr., Glendale, Ariz. 85304

[**] Term: **14 Years**

[21] Appl. No.: **87,735**

[22] Filed: **May 8, 1998**

[51] **LOC (6) Cl.** **23-04**

[52] **U.S. Cl.** **D23/377; D23/379; D23/385**

[58] **Field of Search** **D23/377, 379, D23/385, 411, 413; 416/5; 392/364; 362/96; D26/81-86, 72, 73, 51, 59**

[56] **References Cited**

U.S. PATENT DOCUMENTS

D. 304,229	10/1989	Rezek	D23/377
D. 342,311	12/1993	Rezek	D23/377
D. 346,858	5/1994	Lee	D23/377
D. 370,971	6/1996	Wu	D23/377

Primary Examiner—Lisa Lichtenstein
Attorney, Agent, or Firm—Parsons & Goltry; Michael W. Goltry; Robert A. Parsons

[57] **CLAIM**

The ornamental design for a ceiling fan, as shown and described.

DESCRIPTION

FIG. 1 is a perspective view of a ceiling fan showing my new design;

FIG. 2 is a bottom plan view thereof;

FIG. 3 is a top plan view thereof;

FIG. 4 is a front elevational view thereof;

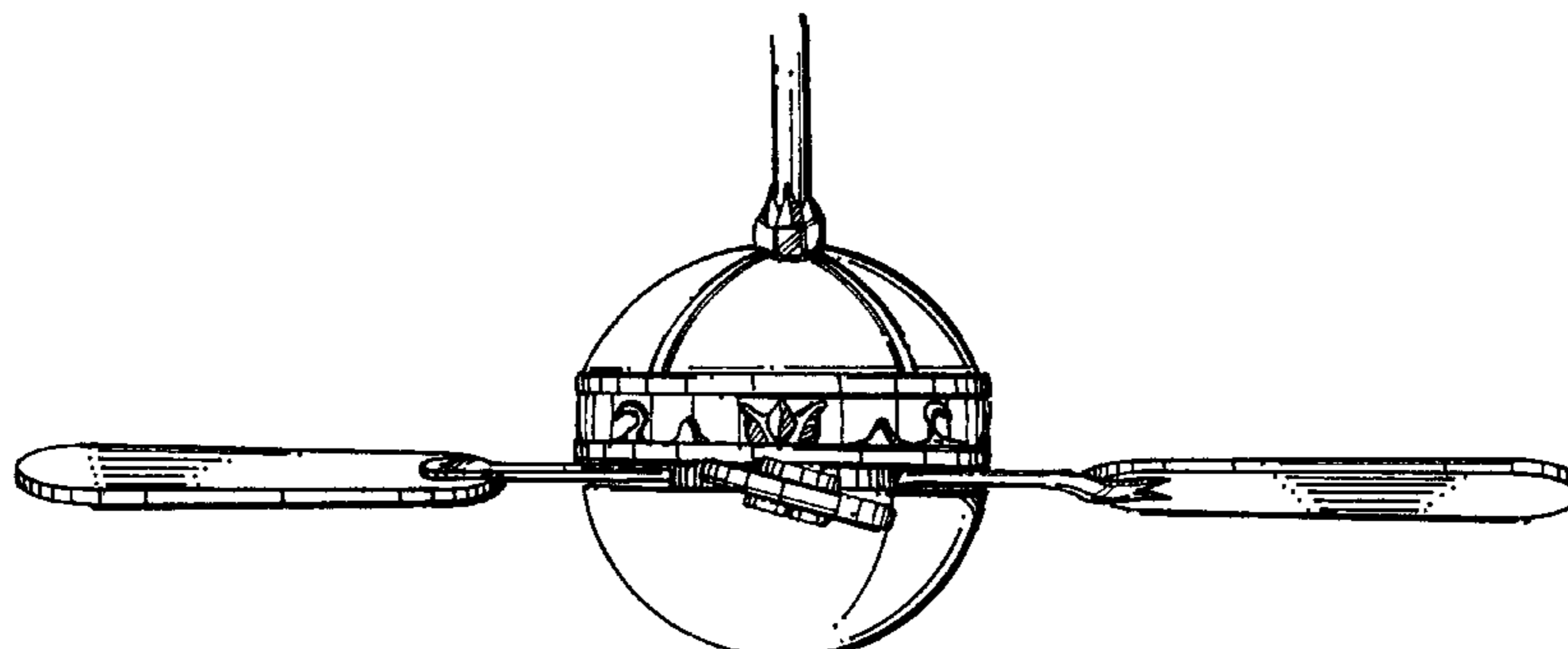
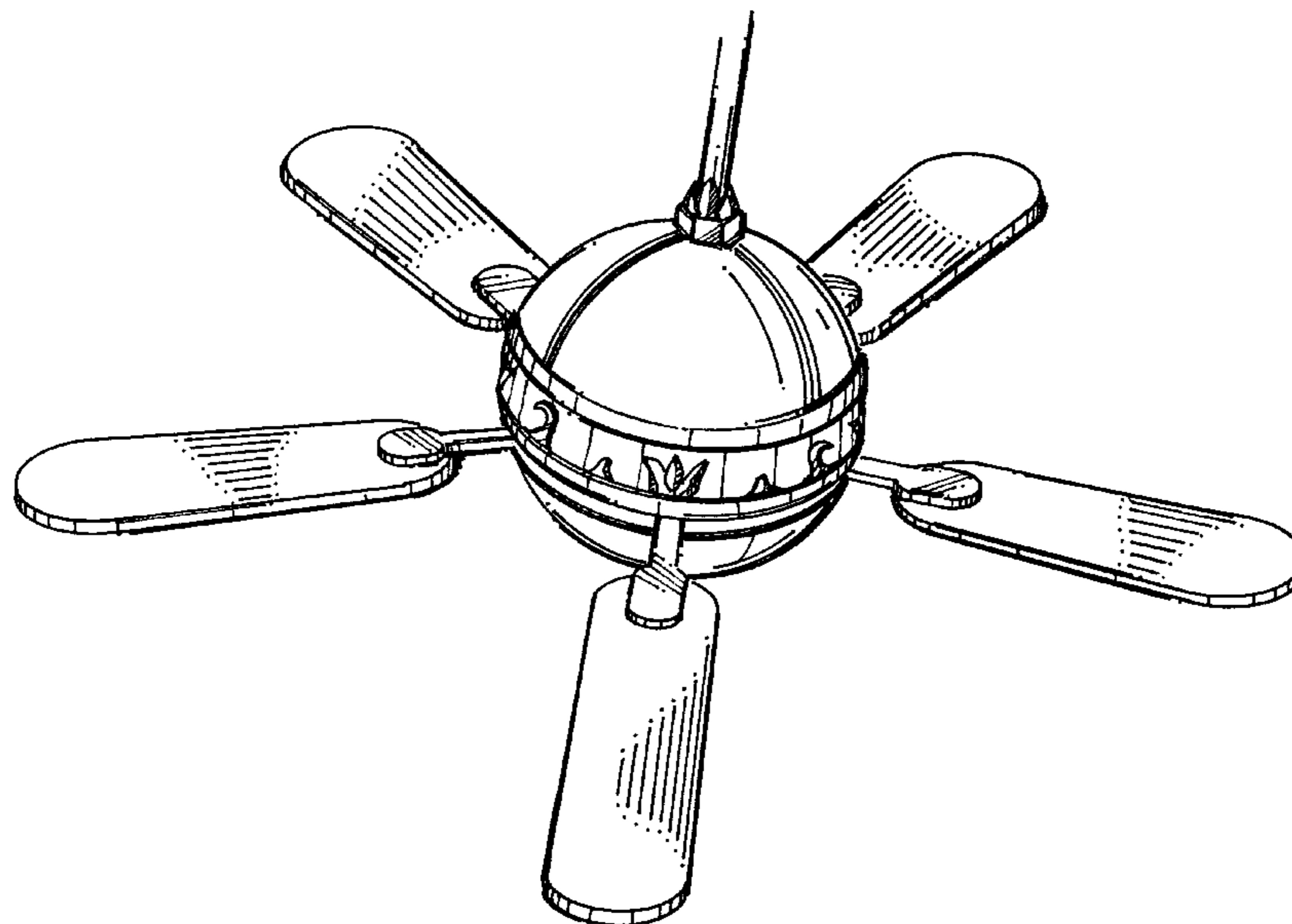
FIG. 5 is a right side elevational view thereof;

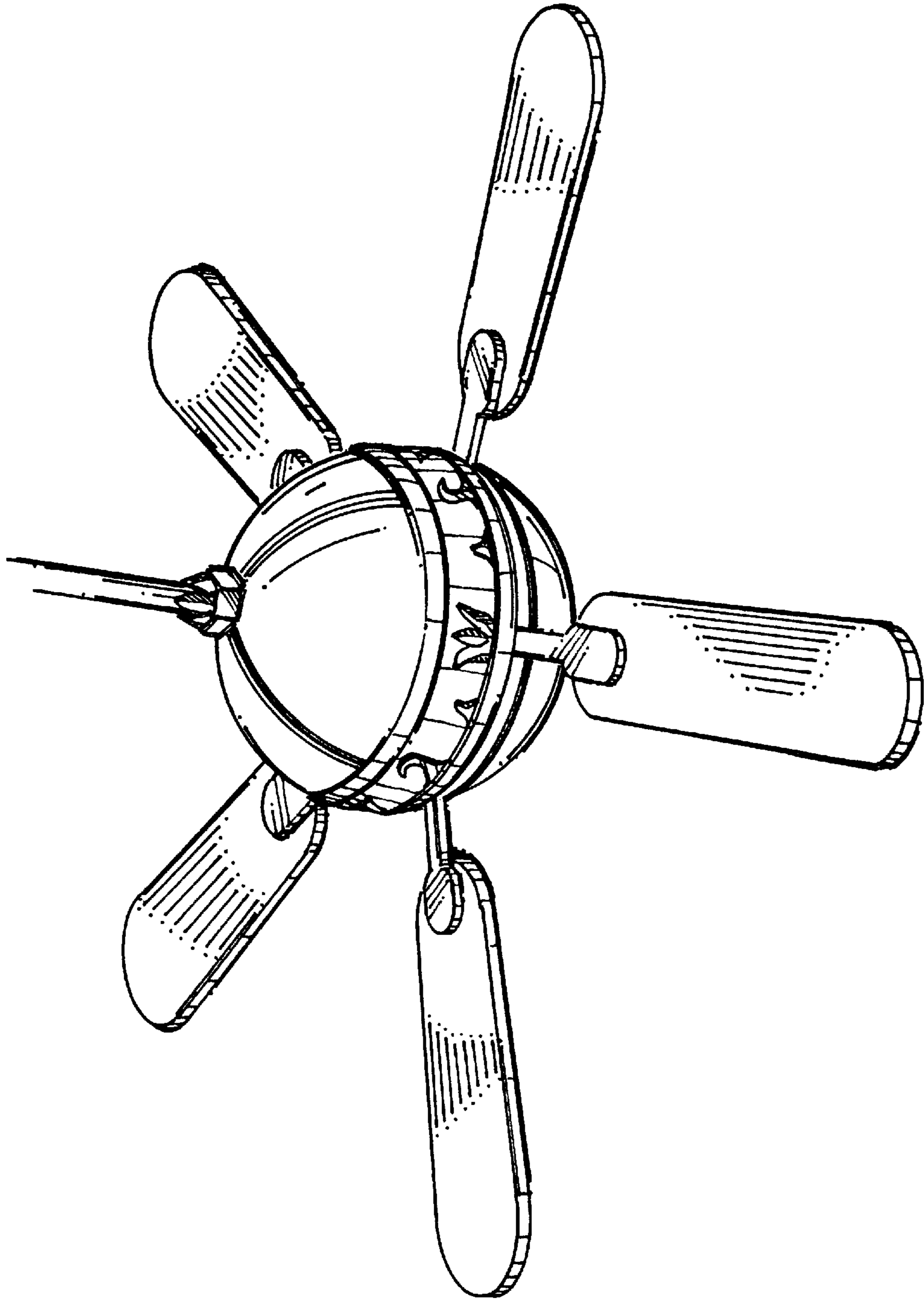
FIG. 6 is a rear elevational view thereof; and,

FIG. 7 is a left side elevational view thereof.

The support rod has been show broken-away in FIGS. 1 and 3-7 to indicate indeterminate length.

1 Claim, 5 Drawing Sheets





E|G. |

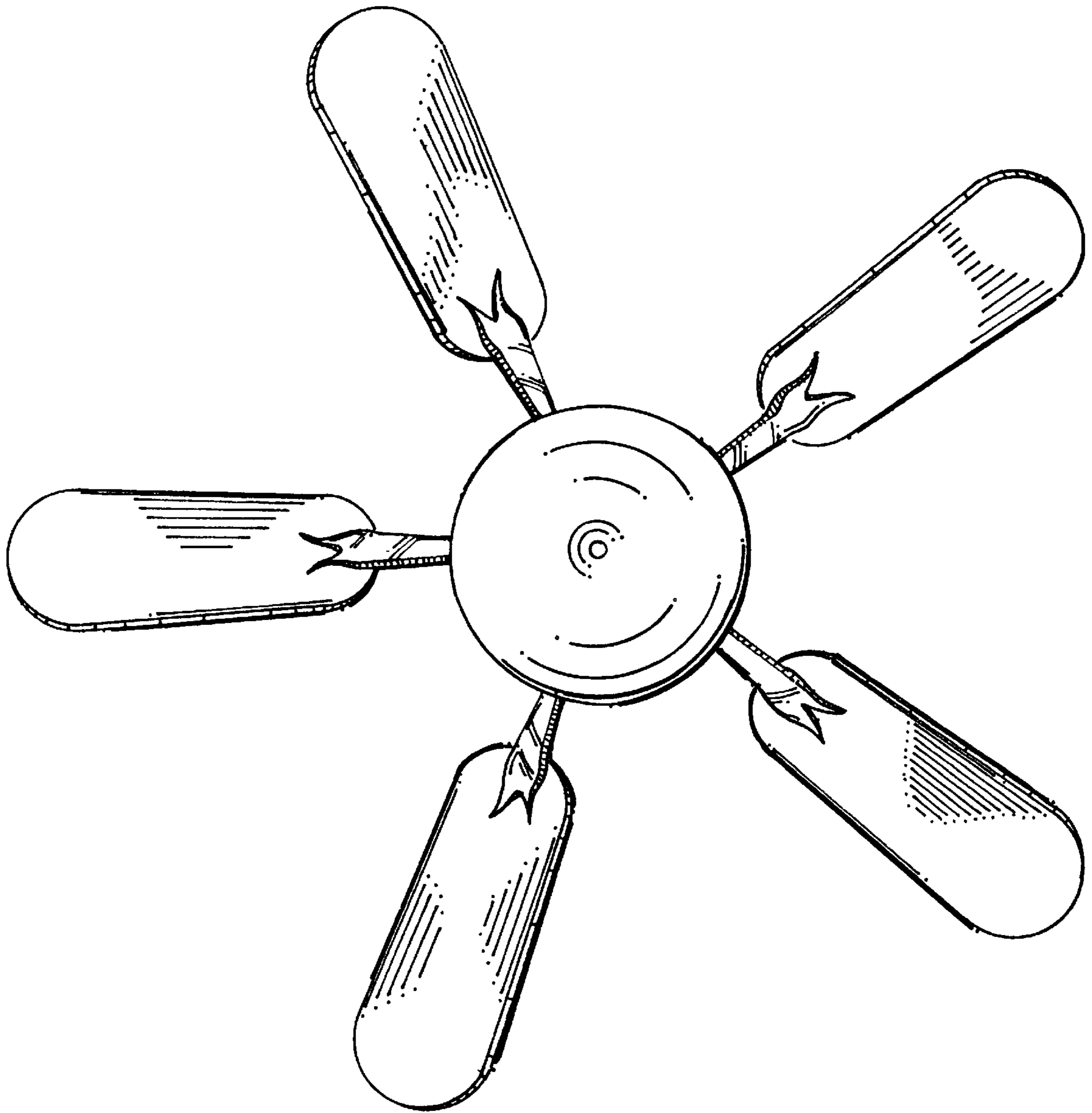


FIG. 2

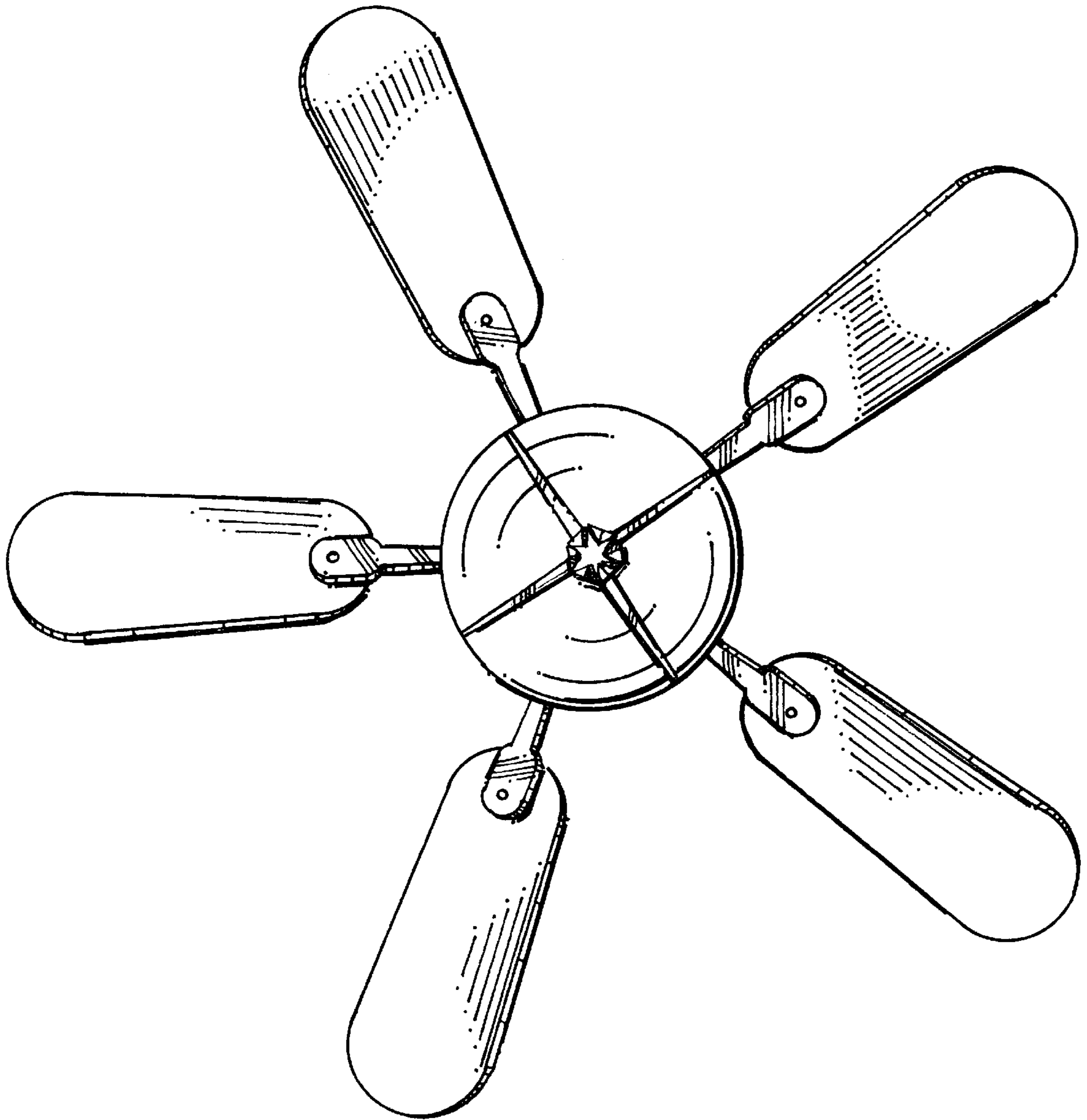


FIG. 3

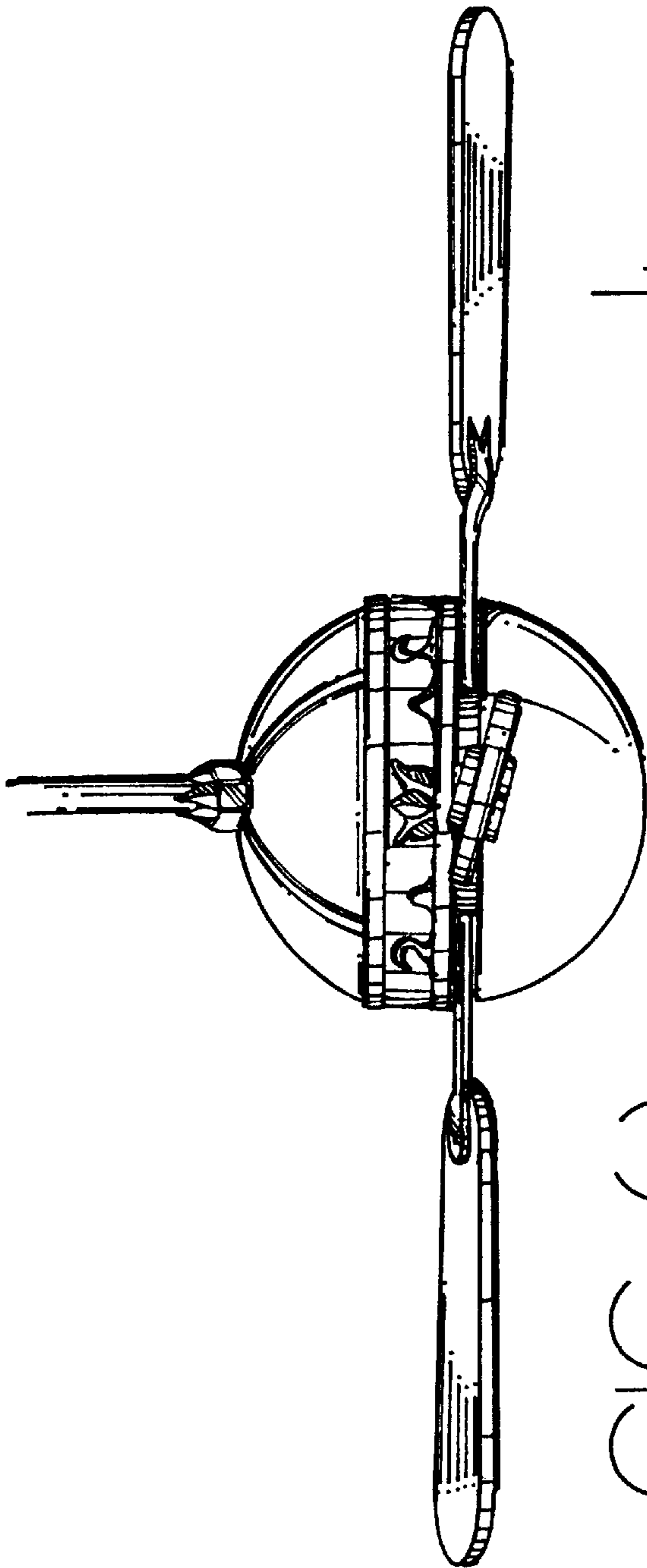


FIG. 4

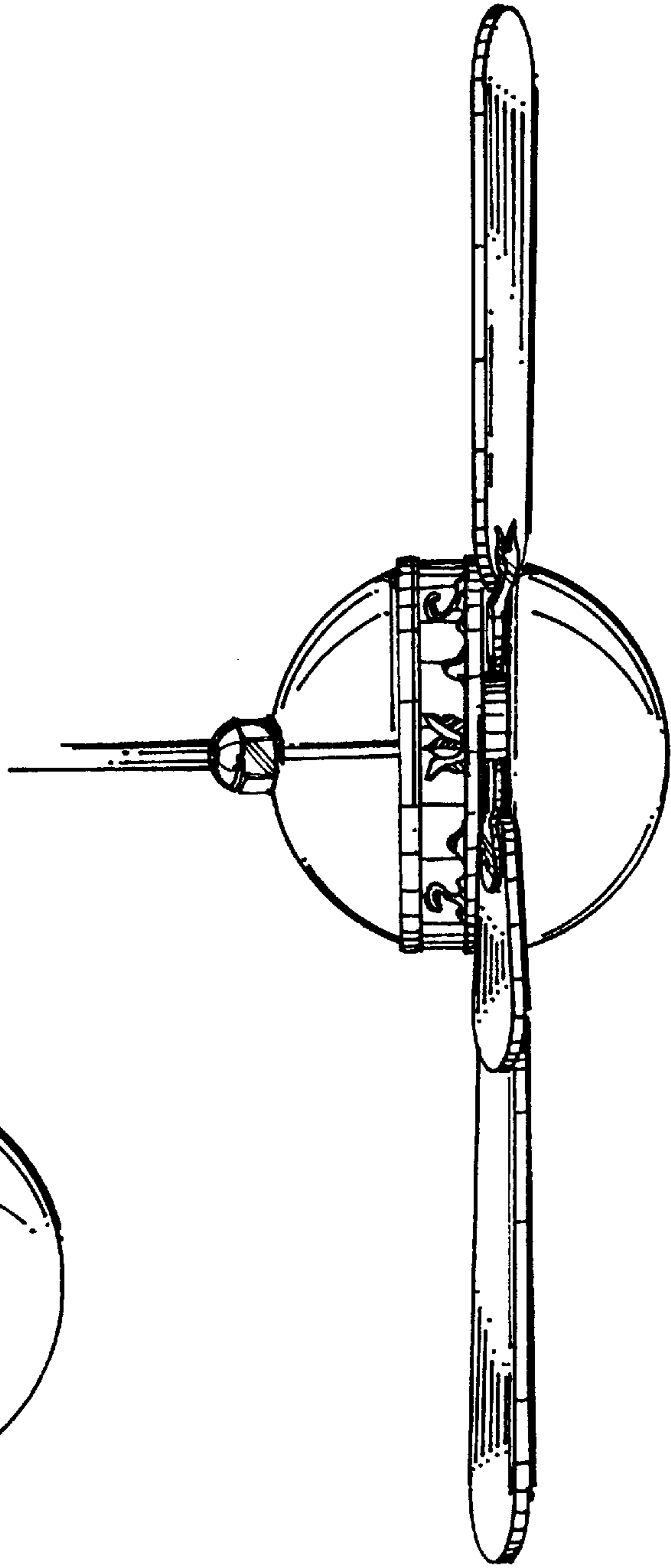
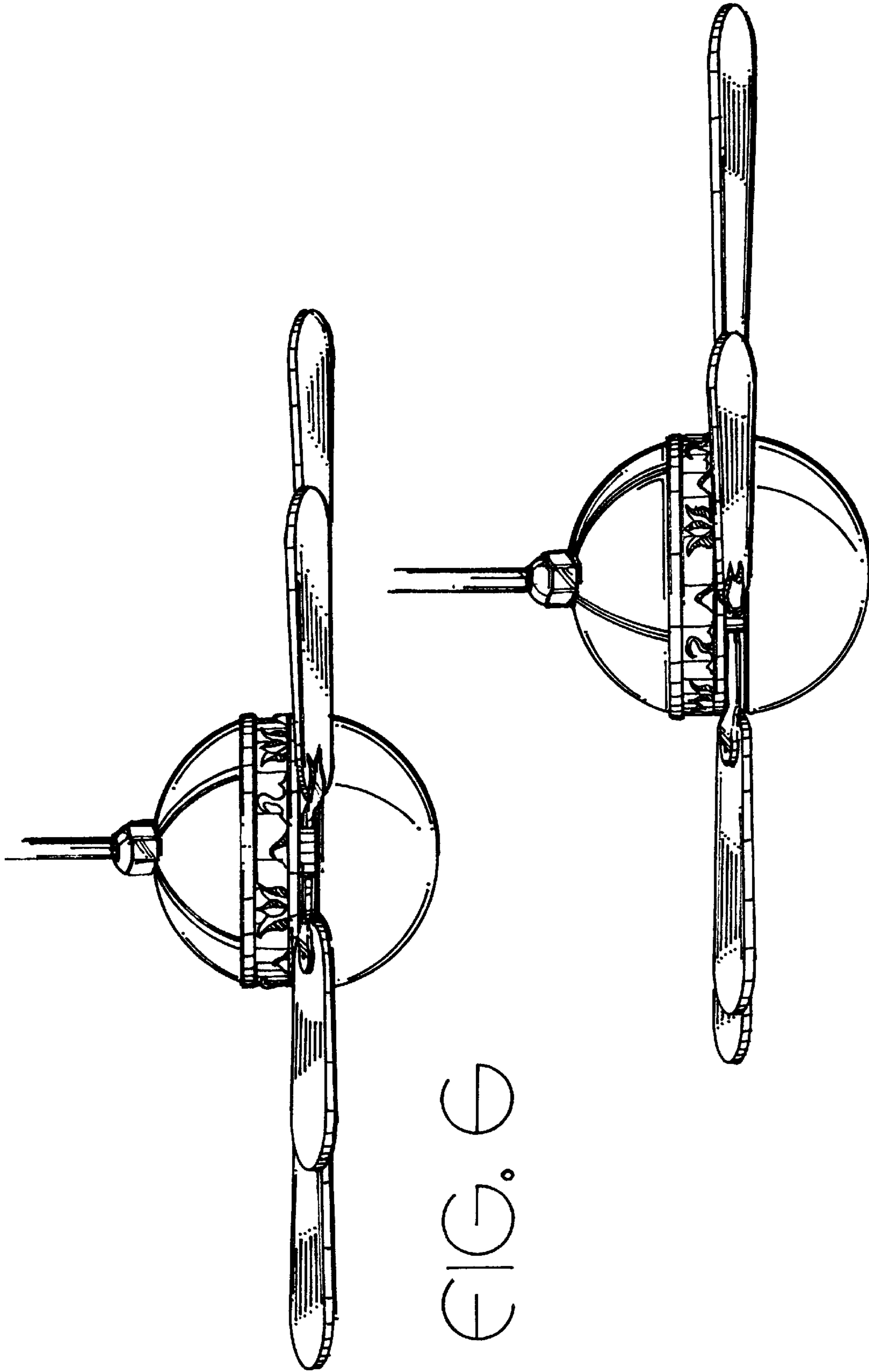


FIG. 5



E|G. E

E|G. E