



US00D404805S

# United States Patent [19] Hurt

[11] **Patent Number: Des. 404,805**

[45] **Date of Patent: \*\*Jan. 26, 1999**

[54] **BATH TUB**

4,809,368 3/1989 Johansson ..... 4/540  
5,393,119 2/1995 Mukai ..... 4/540 X

[75] Inventor: **Lennart Hurt**, Ljungby, Sweden

[73] Assignee: **Sundab I Ljungby AB**, Ljungby, Sweden

[\*\*] Term: **14 Years**

*Primary Examiner*—Louis S. Zarfes  
*Assistant Examiner*—Eric Watterson  
*Attorney, Agent, or Firm*—Burns, Doane, Swecker & Mathis, L.L.P.

[21] Appl. No.: **86,086**

[22] Filed: **Apr. 6, 1998**

### [57] CLAIM

The ornamental design for a bath-tub, as shown and described.

### [30] Foreign Application Priority Data

Oct. 7, 1997 [DE] Germany ..... M97 09 498.6

[51] **LOC (6) Cl.** ..... **23-02**

[52] **U.S. Cl.** ..... **D23/280.2**

[58] **Field of Search** ..... D23/277-280.4,  
D23/303-311; 4/564.1, 563.1, 615, 556,  
555, 540, 578.1; 297/217.1

### DESCRIPTION

FIG. 1 is a perspective view showing the top side, the right side and the front of the bath-tub according to the new design;

FIG. 2 is a perspective view showing the top side, the left side and the front of the bath-tub;

FIG. 3 is a right side elevational view thereof;

FIG. 4 is a left side elevational view thereof;

FIG. 5 is a front elevational view thereof;

FIG. 6 is a rear elevational view thereof; and,

FIG. 7 is a bottom plan view thereof.

### [56] References Cited

#### U.S. PATENT DOCUMENTS

4,160,292 7/1979 Kuetaer et al. .... 4/615

**1 Claim, 5 Drawing Sheets**



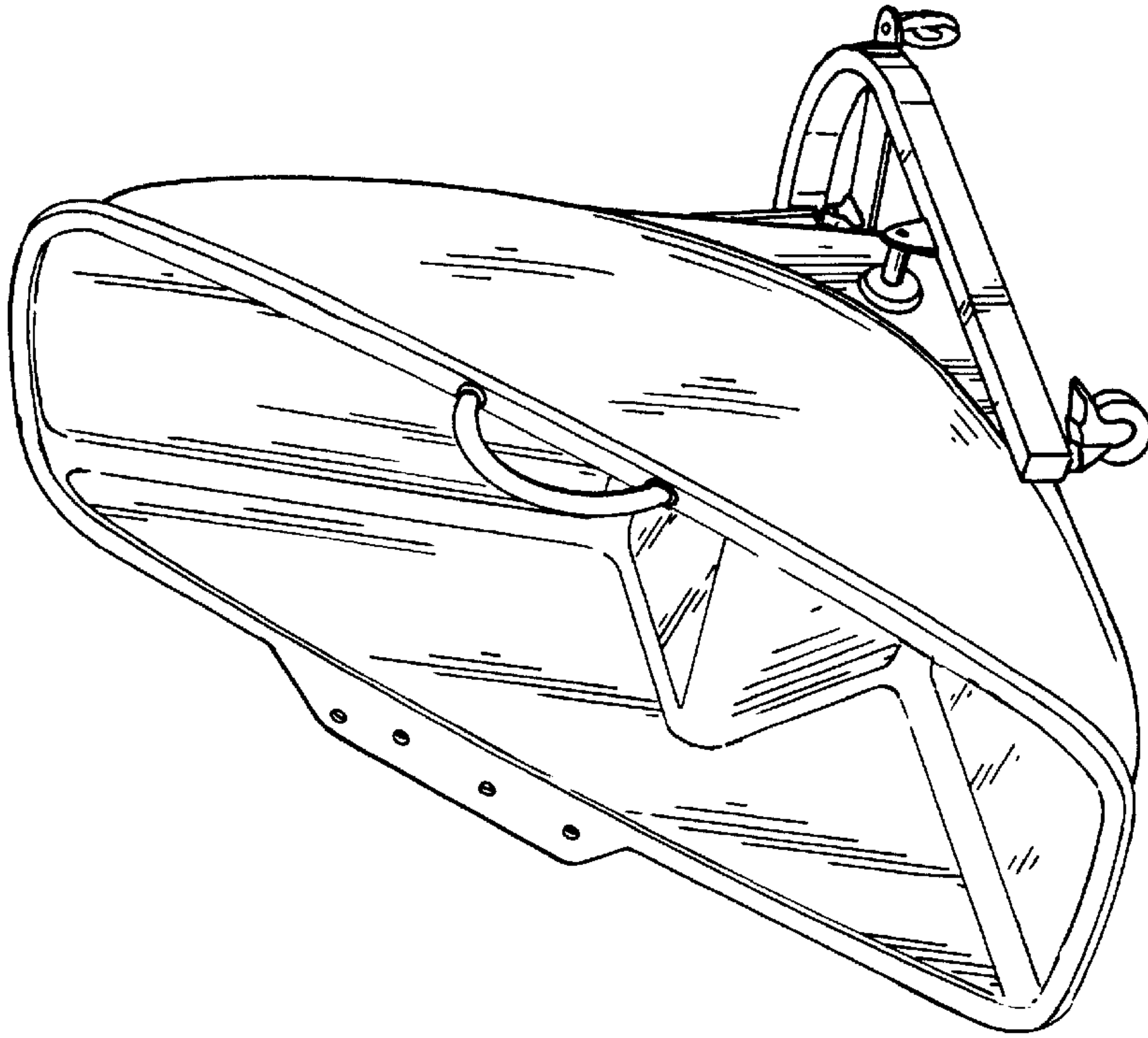


Figure 2

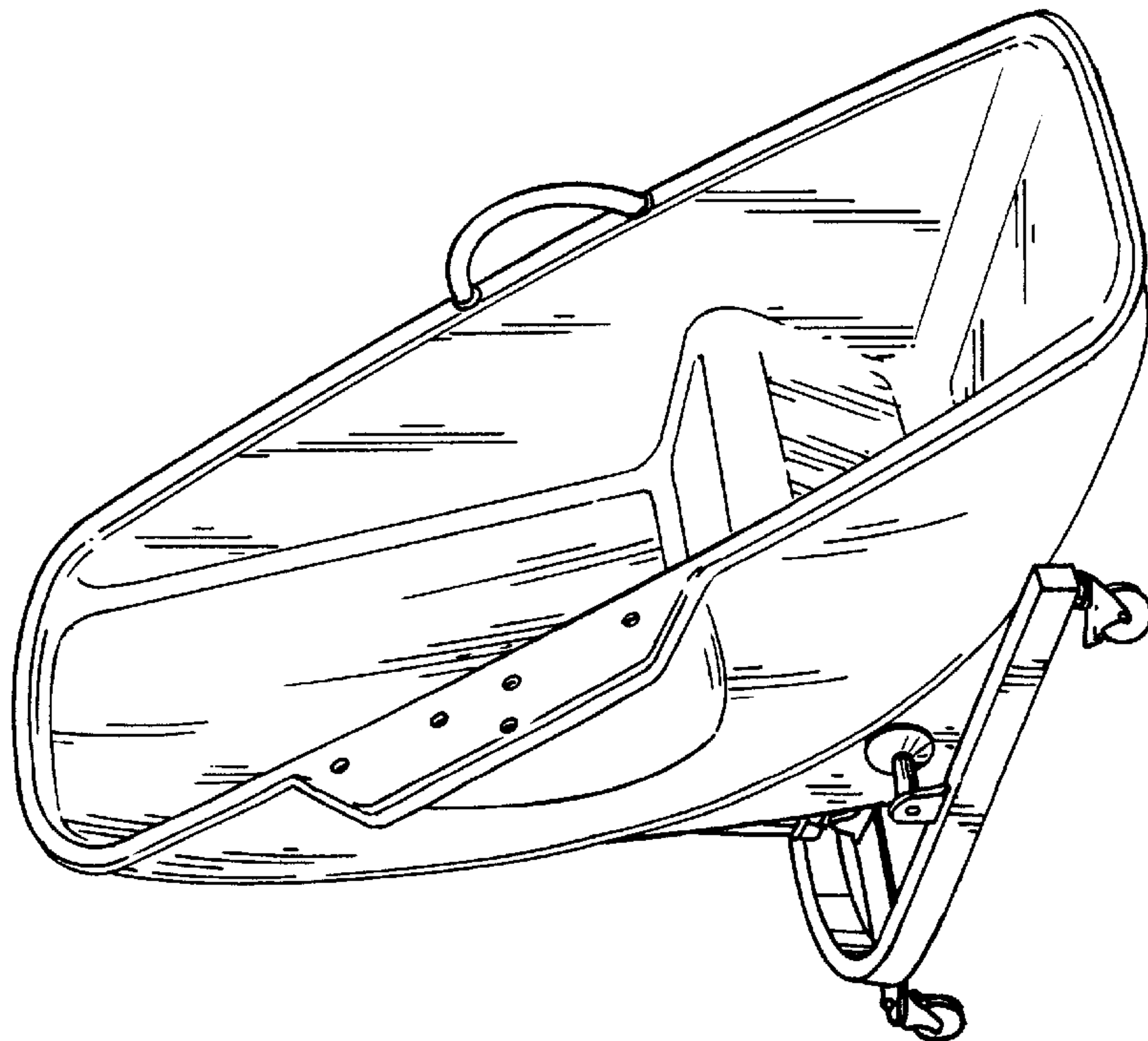
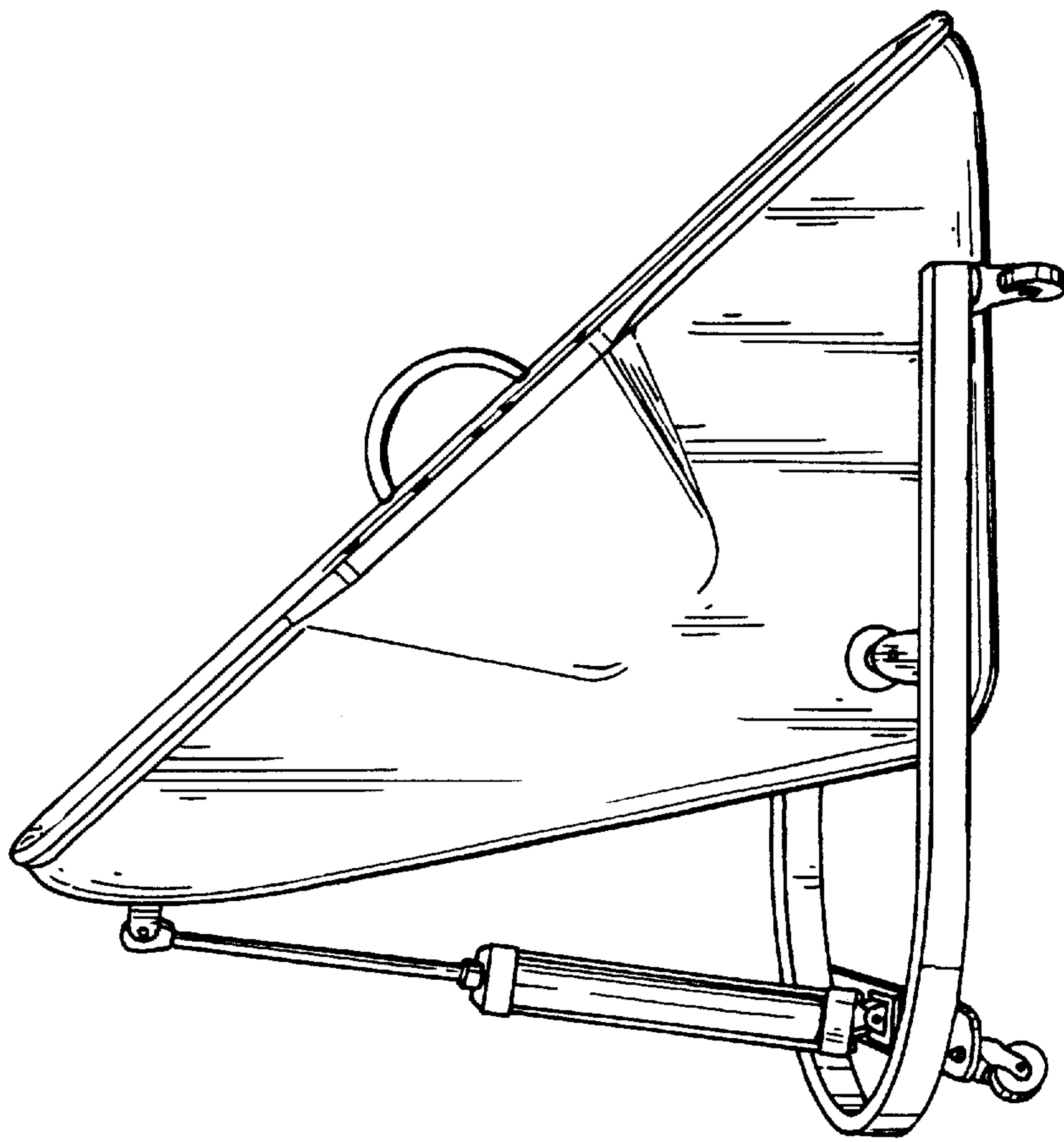
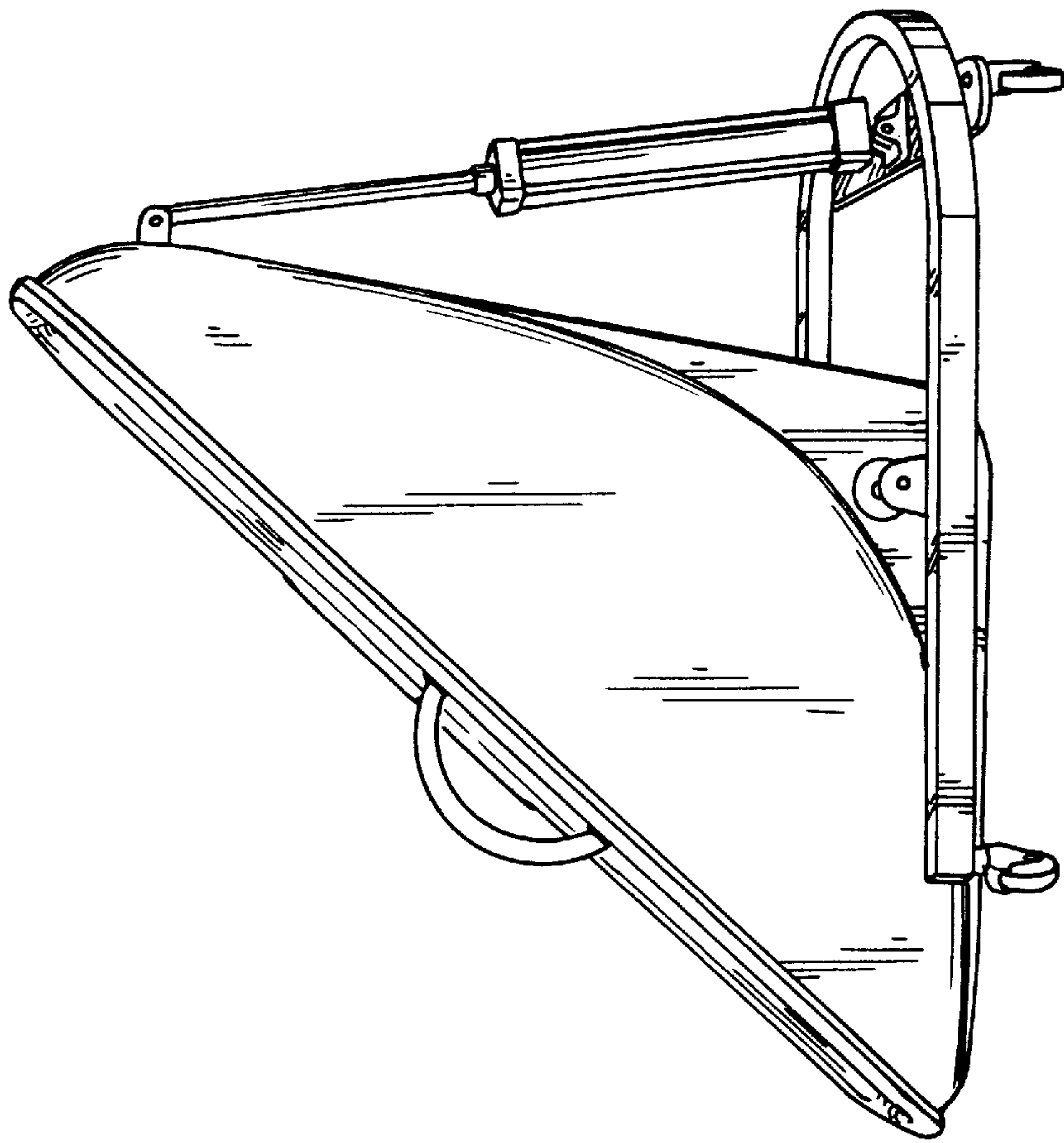


Figure 1



*Figure 3*



*Figure 4*

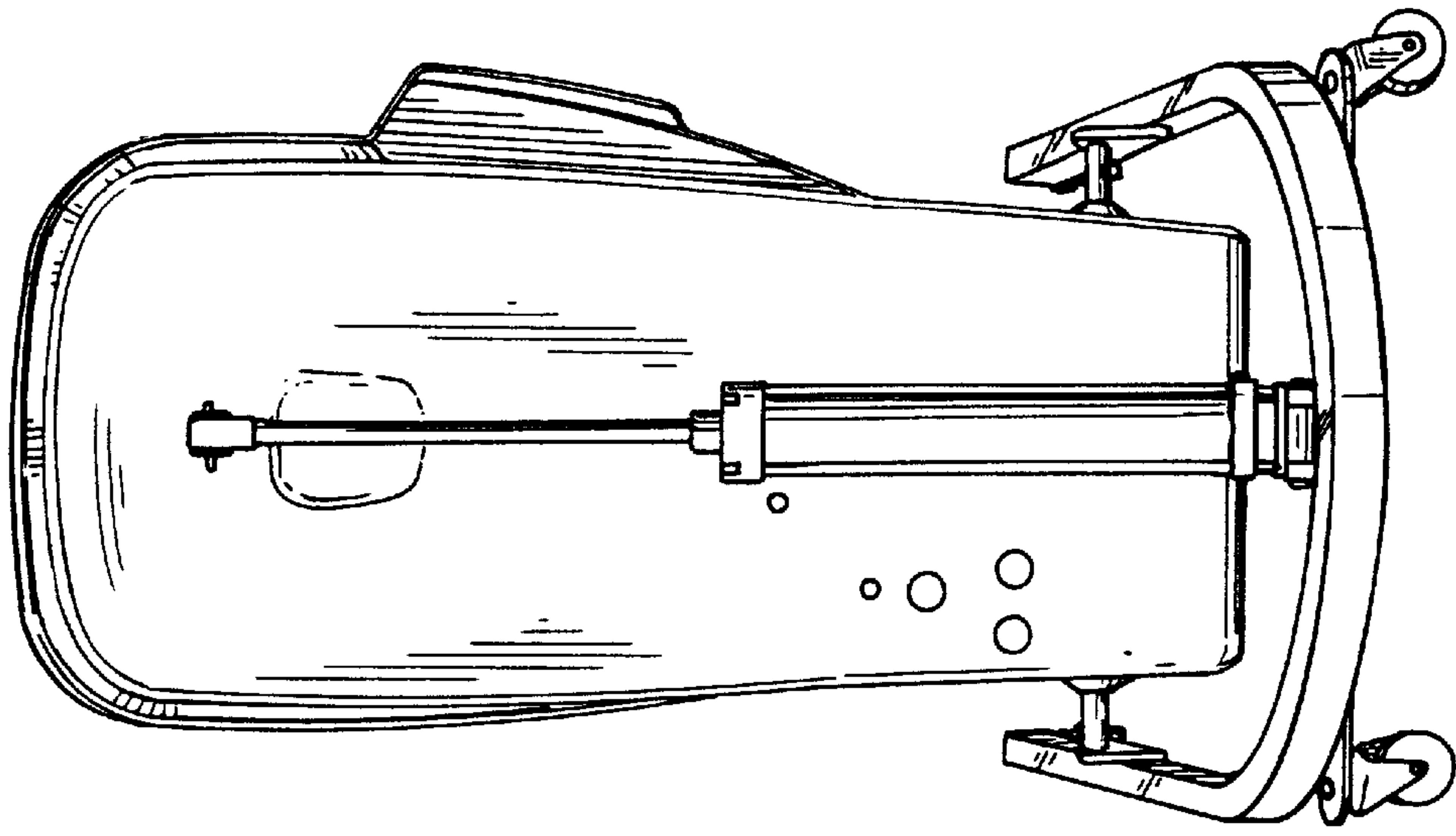


Figure 6

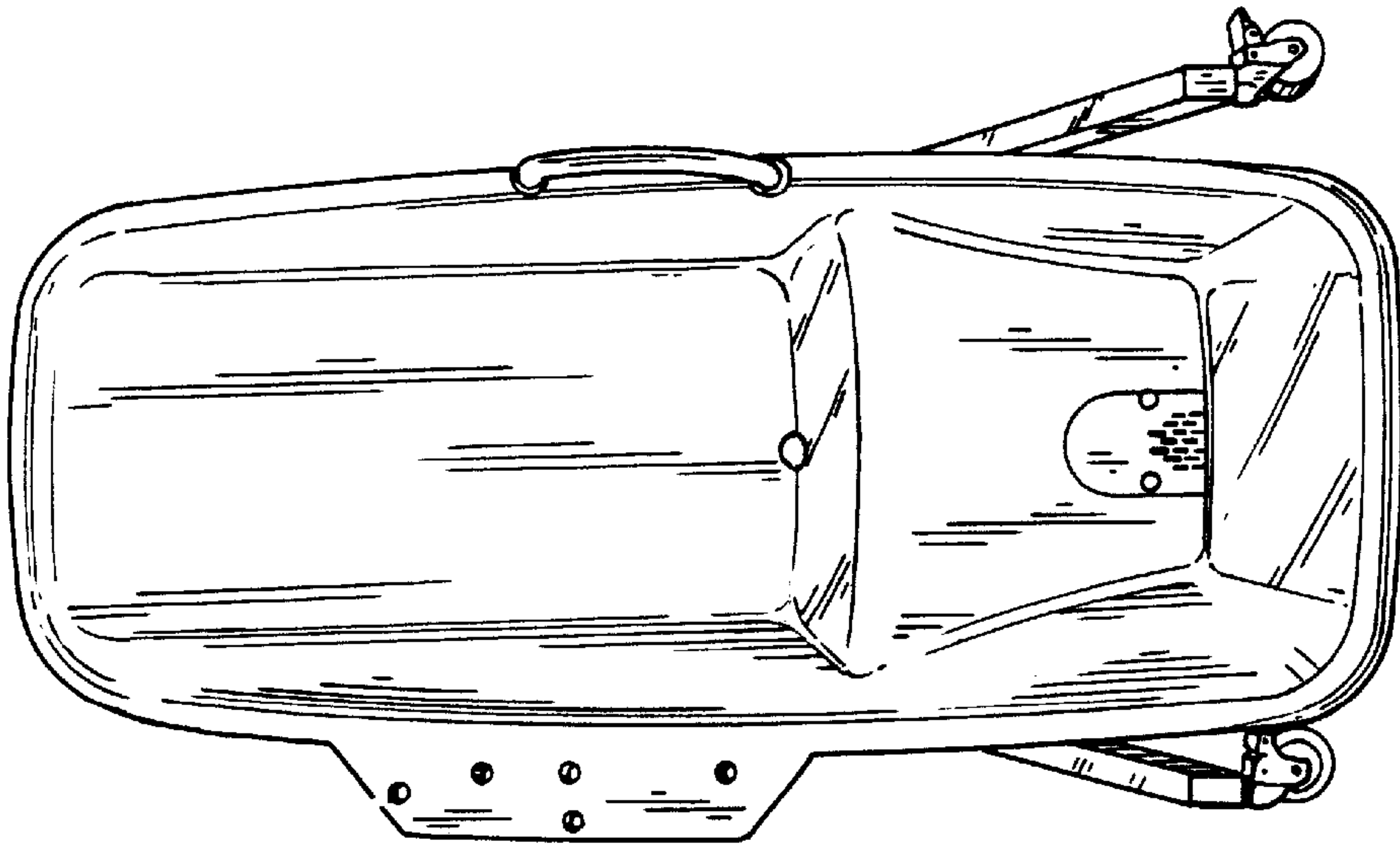


Figure 5



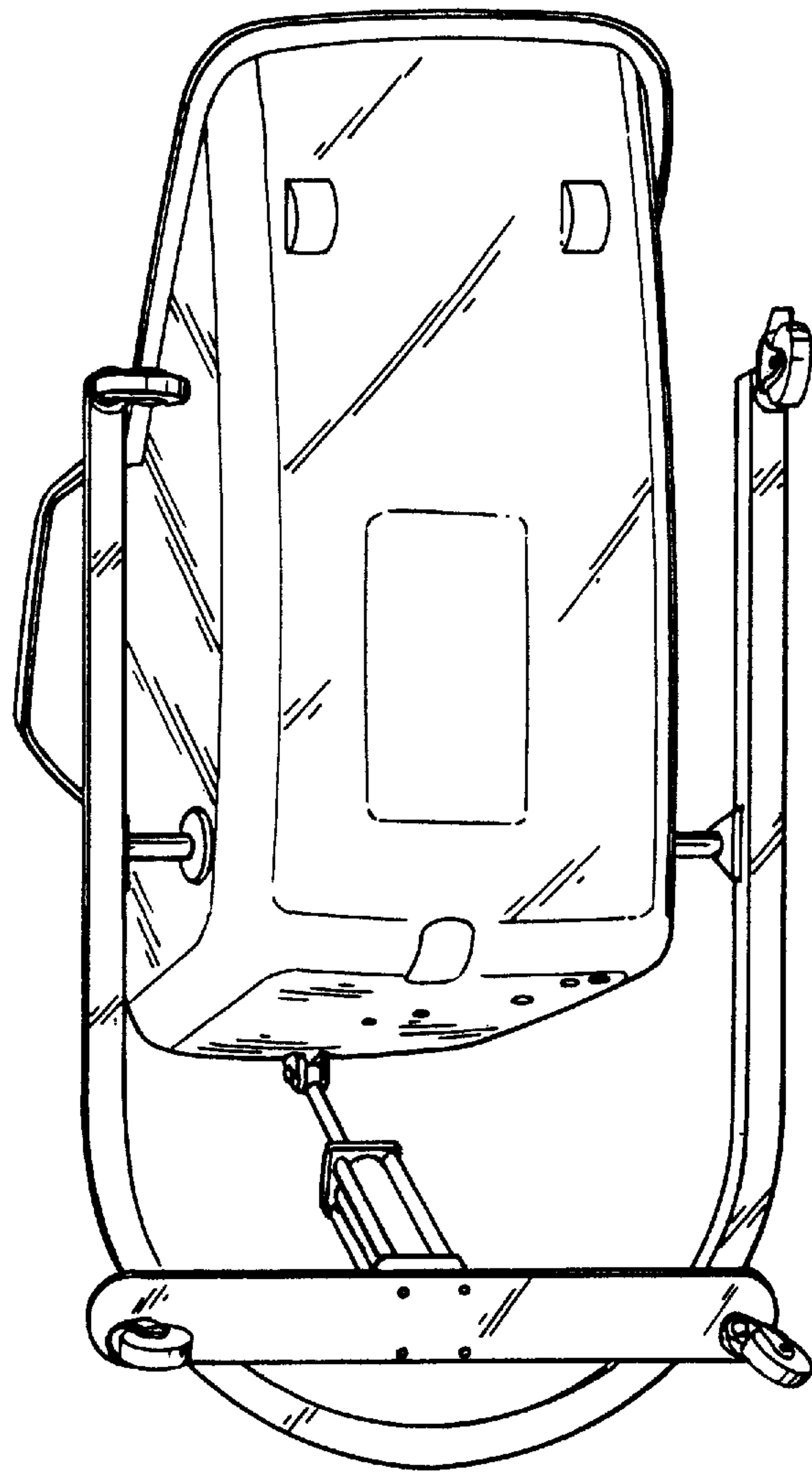


Figure 7