



US00D404804S

United States Patent [19]
Davis

[11] **Patent Number: Des. 404,804**

[45] **Date of Patent: **Jan. 26, 1999**

[54] **COMBINED SANITARY COVER AND DRAIN PAN**

D. 390,924 2/1998 Schlatter D23/267

[76] Inventor: **Il Yoo Davis**, 7945 Audubon Ave., No. A-6, Alexandria, Va. 22306

Primary Examiner—Marcus A. Jackson
Attorney, Agent, or Firm—Aquilino & Welsh

[**] Term: **14 Years**

[57] **CLAIM**

The ornamental design for a combined sanitary cover and drain pan, as shown and described.

[21] Appl. No.: **81,568**

[22] Filed: **Jan. 6, 1998**

DESCRIPTION

[51] **LOC (6) Cl.** **23-01**

[52] **U.S. Cl.** **D23/267**

[58] **Field of Search** D23/267; 52/11-16, 52/94, 287, 290; 248/48.1, 48.2; D25/35, 163, 119, 136

FIG. 1 is a rear perspective view of a combined sanitary cover and drain pan showing my new design, with the broken line showing for illustrative purposes only and forming no part of the claimed design;

FIG. 2 is a top view thereof;

FIG. 3 is a bottom view thereof;

FIG. 4 is a front view thereof; and,

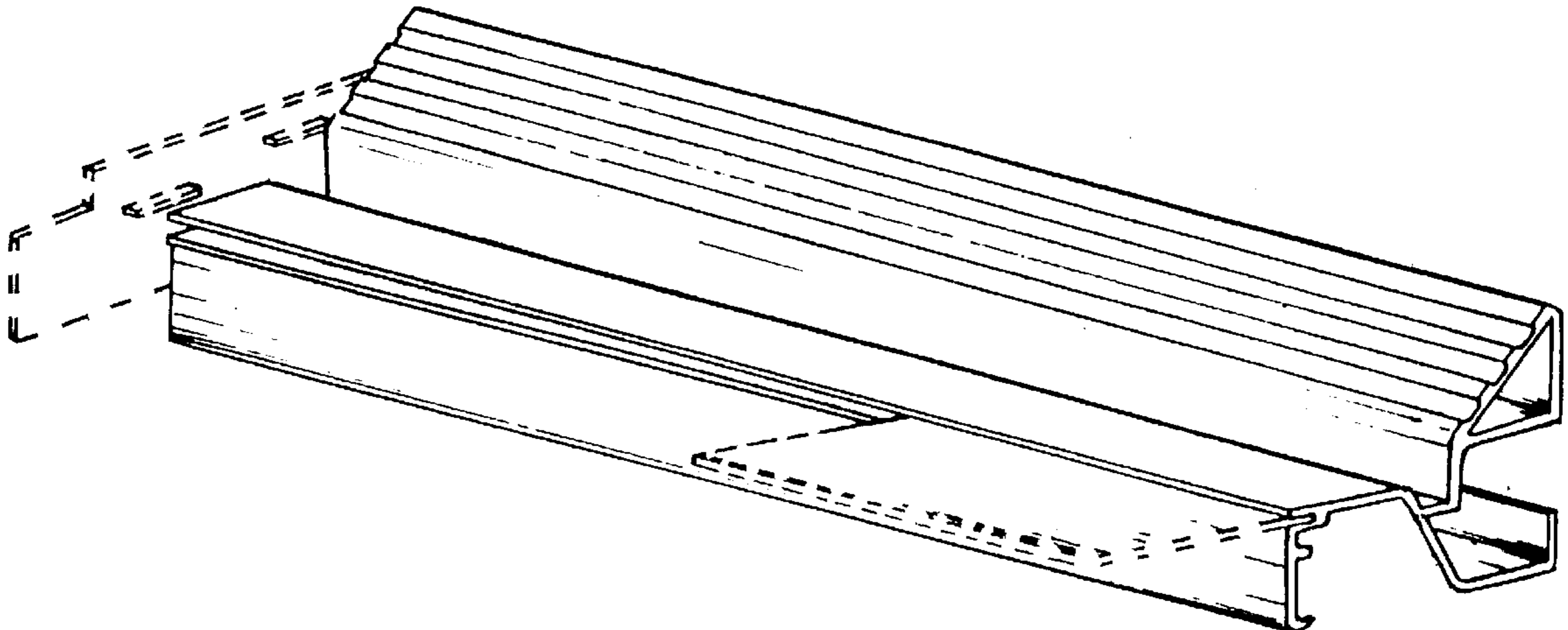
FIG. 5 is an end view thereof, with the opposite end being a mirror image.

[56] **References Cited**

U.S. PATENT DOCUMENTS

- D. 232,091 7/1974 Clark D23/267
- D. 347,682 6/1994 Kennedy et al. D23/267

1 Claim, 1 Drawing Sheet



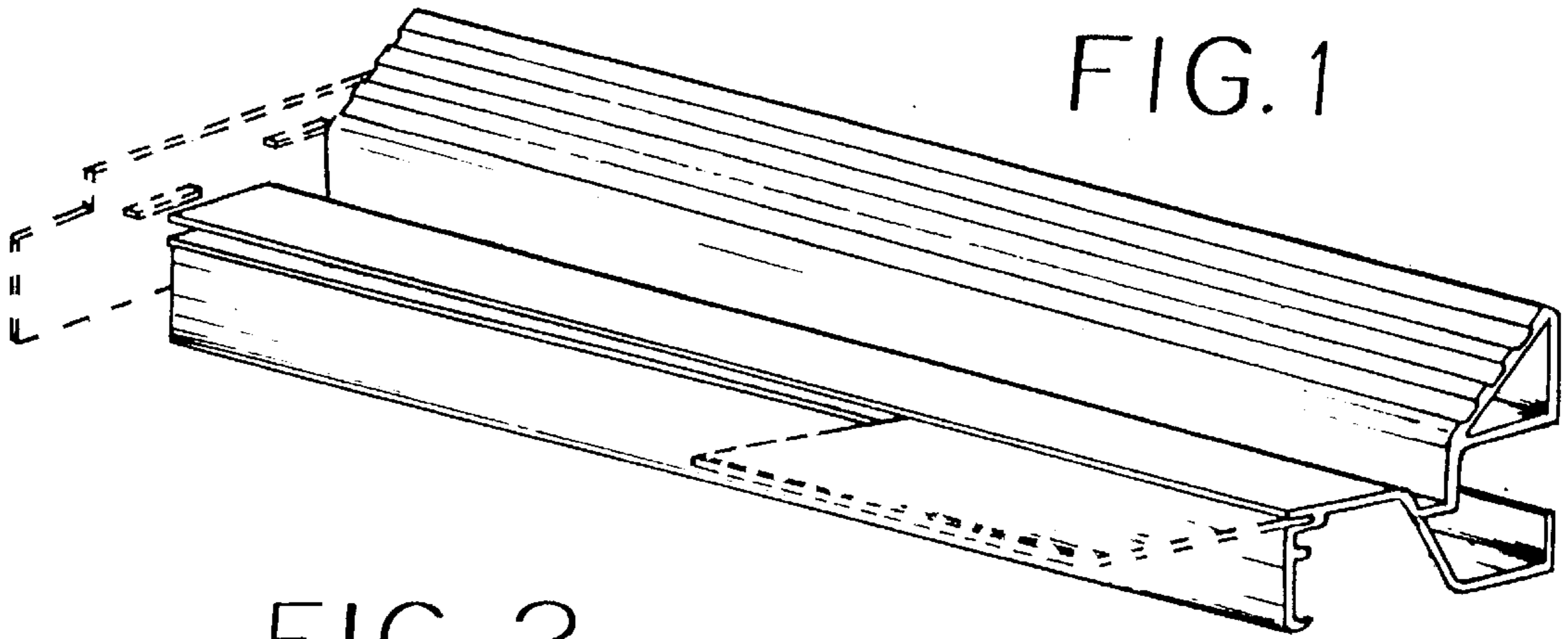


FIG. 1

FIG. 2

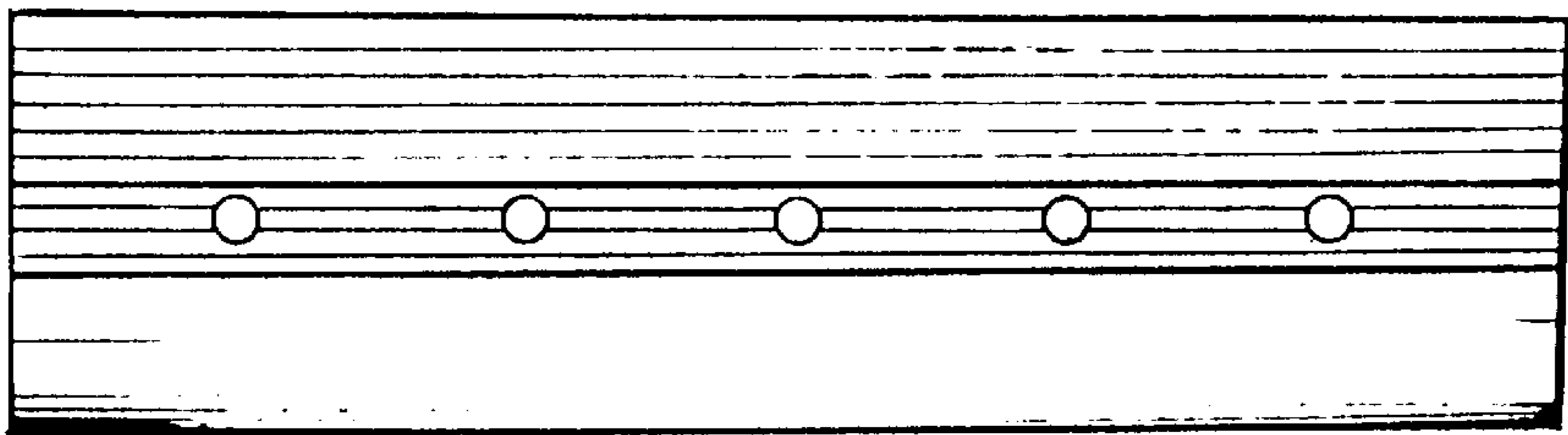


FIG. 3

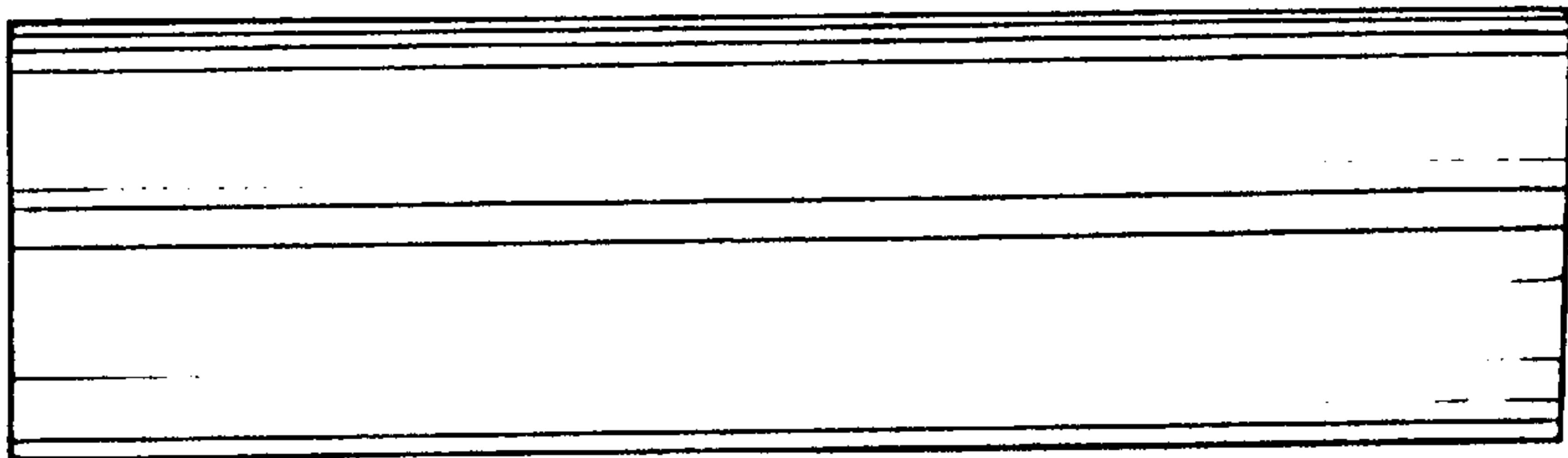


FIG. 4

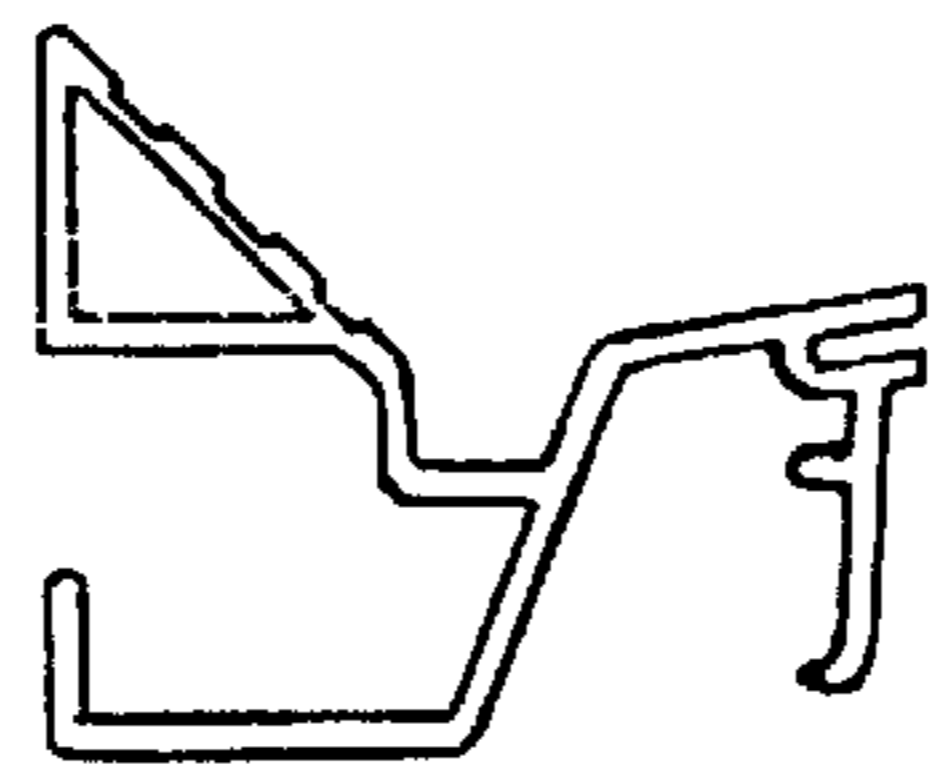
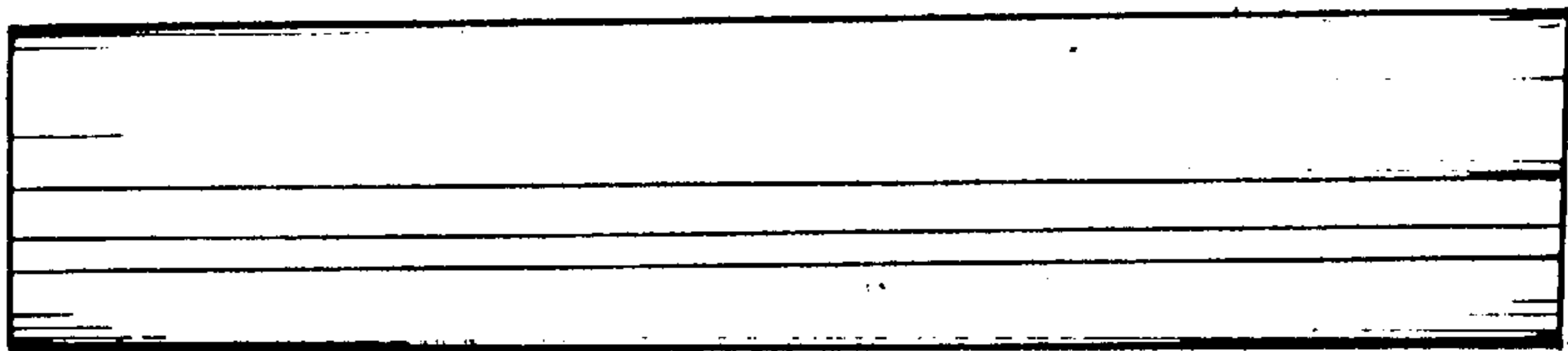


FIG. 5