



US00D404802S

United States Patent [19]
Delker

[11] **Patent Number: Des. 404,802**

[45] **Date of Patent: **Jan. 26, 1999**

[54] **FAUCET HANDLE**

[75] Inventor: **Wilfried A. Delker**, Bridgewater, N.J.

[73] Assignee: **American Standard Inc.**, Piscataway, N.J.

[**] Term: **14 Years**

[21] Appl. No.: **60,363**

[22] Filed: **Sep. 27, 1996**

[51] **LOC (6) Cl.** **23-01**

[52] **U.S. Cl.** **D23/252**

[58] **Field of Search** D23/238-243,
D23/250-254; 16/110 R, 111, 119, 121;
4/675-678; D8/300-308

[56] **References Cited**

U.S. PATENT DOCUMENTS

D. 318,717	7/1991	Spangler	D23/252
D. 357,305	4/1995	Robian	D23/252
D. 371,826	7/1996	Robbins	D23/252
D. 372,300	7/1996	Robian	D23/252

Primary Examiner—Louis S. Zarfes

Assistant Examiner—Eric Watterson

[57] **CLAIM**

The ornamental design for a faucet handle, as shown and described.

DESCRIPTION

FIG. 1 is a perspective view of a faucet handle showing my new design;

FIG. 2 is a right side elevational view thereof, the left side view being a mirror image of the right side;

FIG. 3 is a top plan view thereof;

FIG. 4 is a bottom plan view thereof;

FIG. 5 is a front elevational view thereof;

FIG. 6 is a rear elevational view thereof;

FIG. 7 is a perspective view of a faucet handle showing another embodiment of my new design;

FIG. 8 is a right side elevational view of the faucet handle shown in FIG. 7, the left side view being a mirror image of the right side;

FIG. 9 is a top plan view of the faucet handle shown in FIG. 7;

FIG. 10 is a bottom plan view of the faucet handle shown in FIG. 7;

FIG. 11 is a front elevational view of the faucet handle shown in FIG. 7;

FIG. 12 is a rear elevational view of the faucet handle shown in FIG. 7;

FIG. 13 is a perspective view of a faucet handle showing another embodiment of my new design;

FIG. 14 is a right side elevational view of the faucet handle shown in FIG. 13, the left side view being a mirror image of the right side;

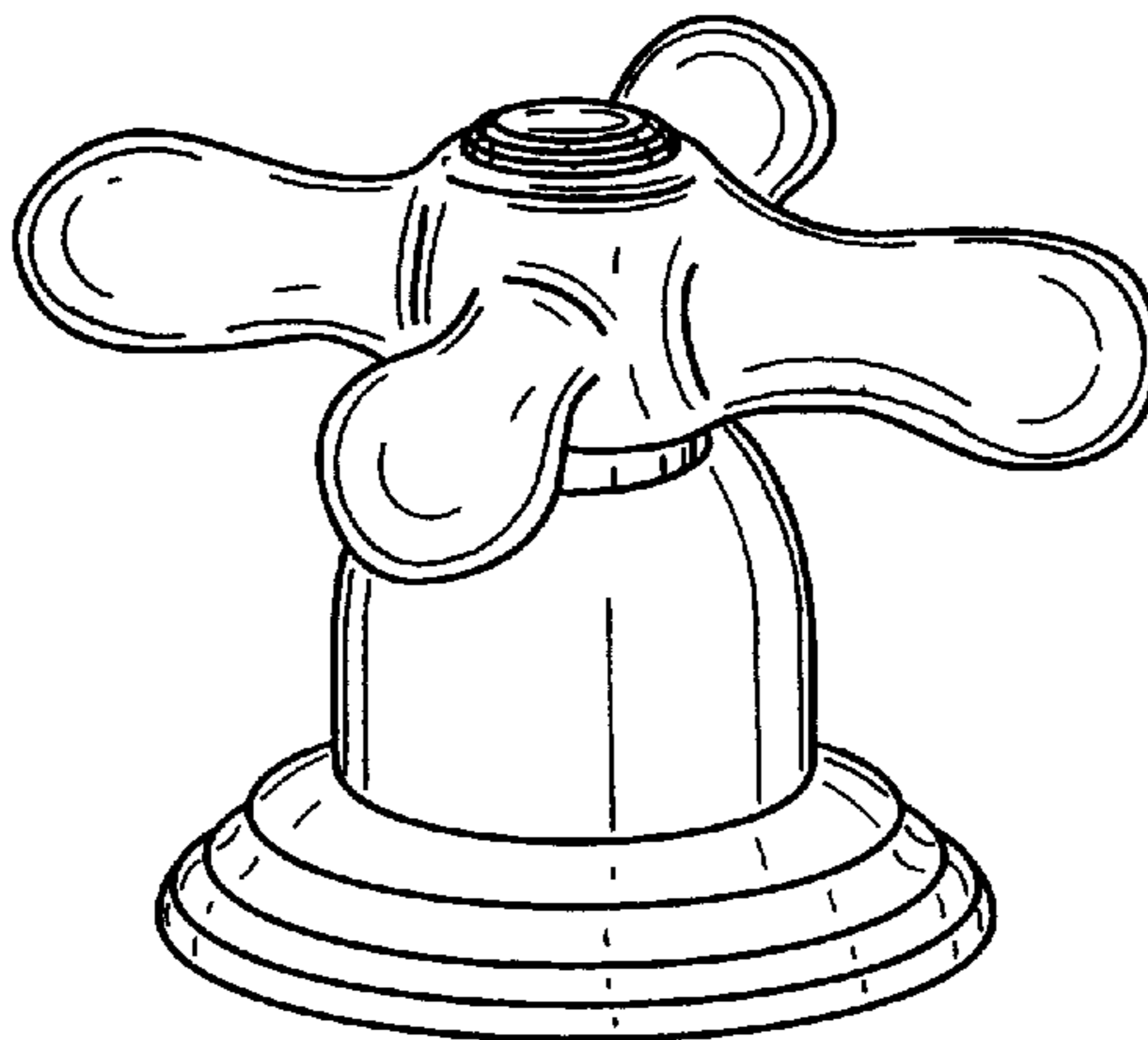
FIG. 15 is a top plan view of the faucet handle shown in FIG. 13;

FIG. 16 is a bottom plan view of the faucet handle shown in FIG. 13;

FIG. 17 is a front elevational view of the faucet handle shown in FIG. 13; and,

FIG. 18 is a rear elevational view of the faucet handle shown in FIG. 13.

1 Claim, 3 Drawing Sheets



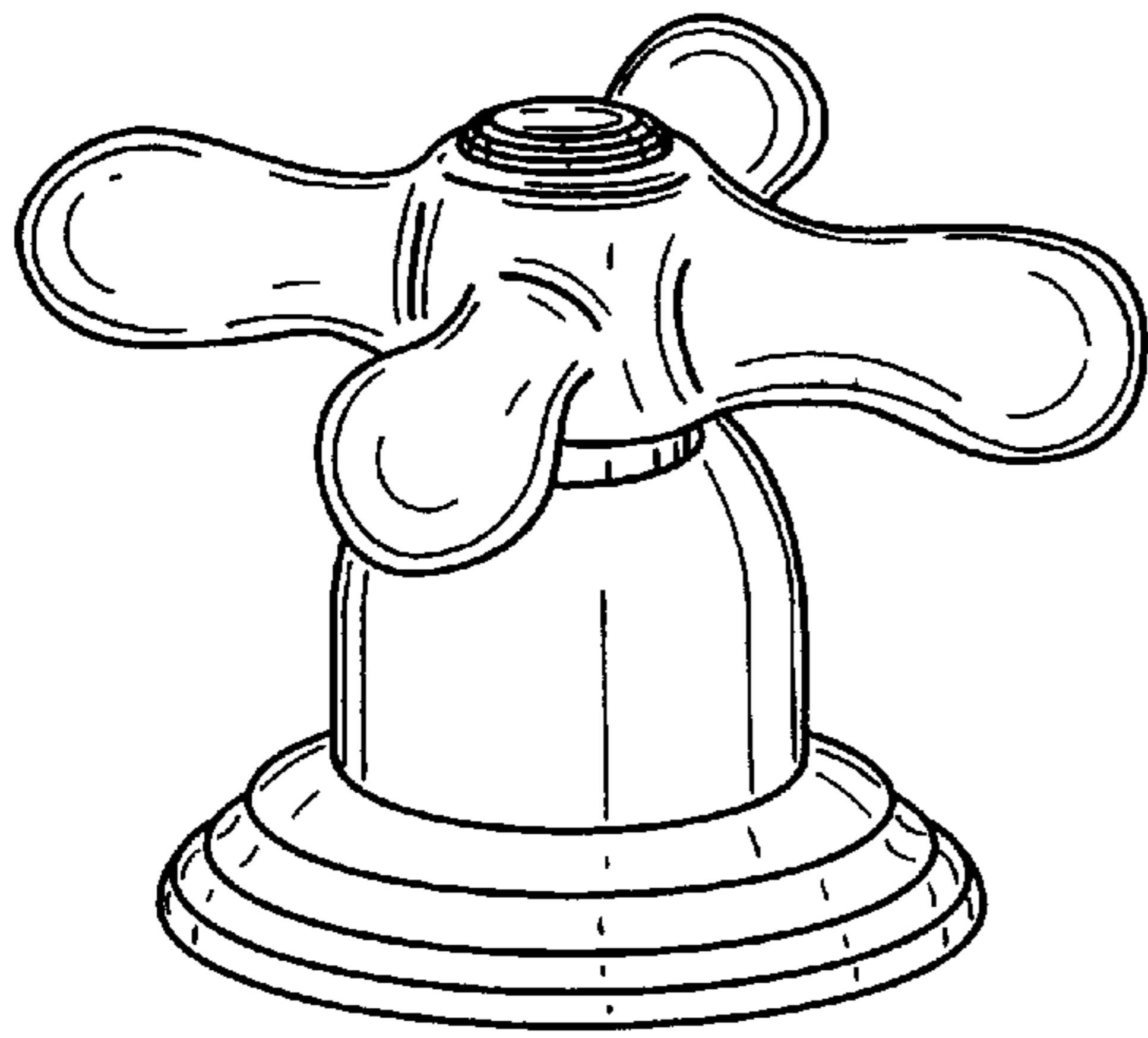


FIG. 1

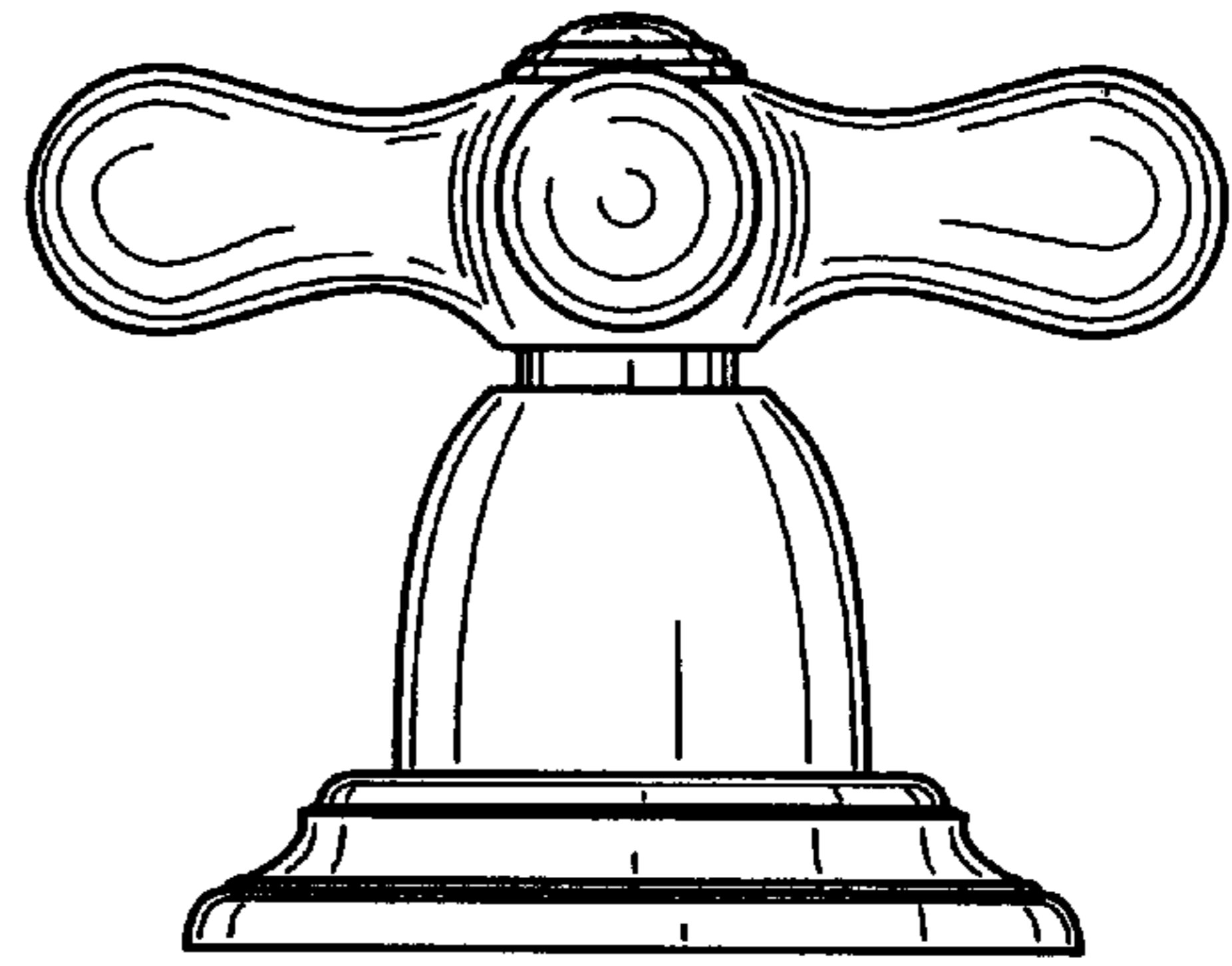


FIG. 2

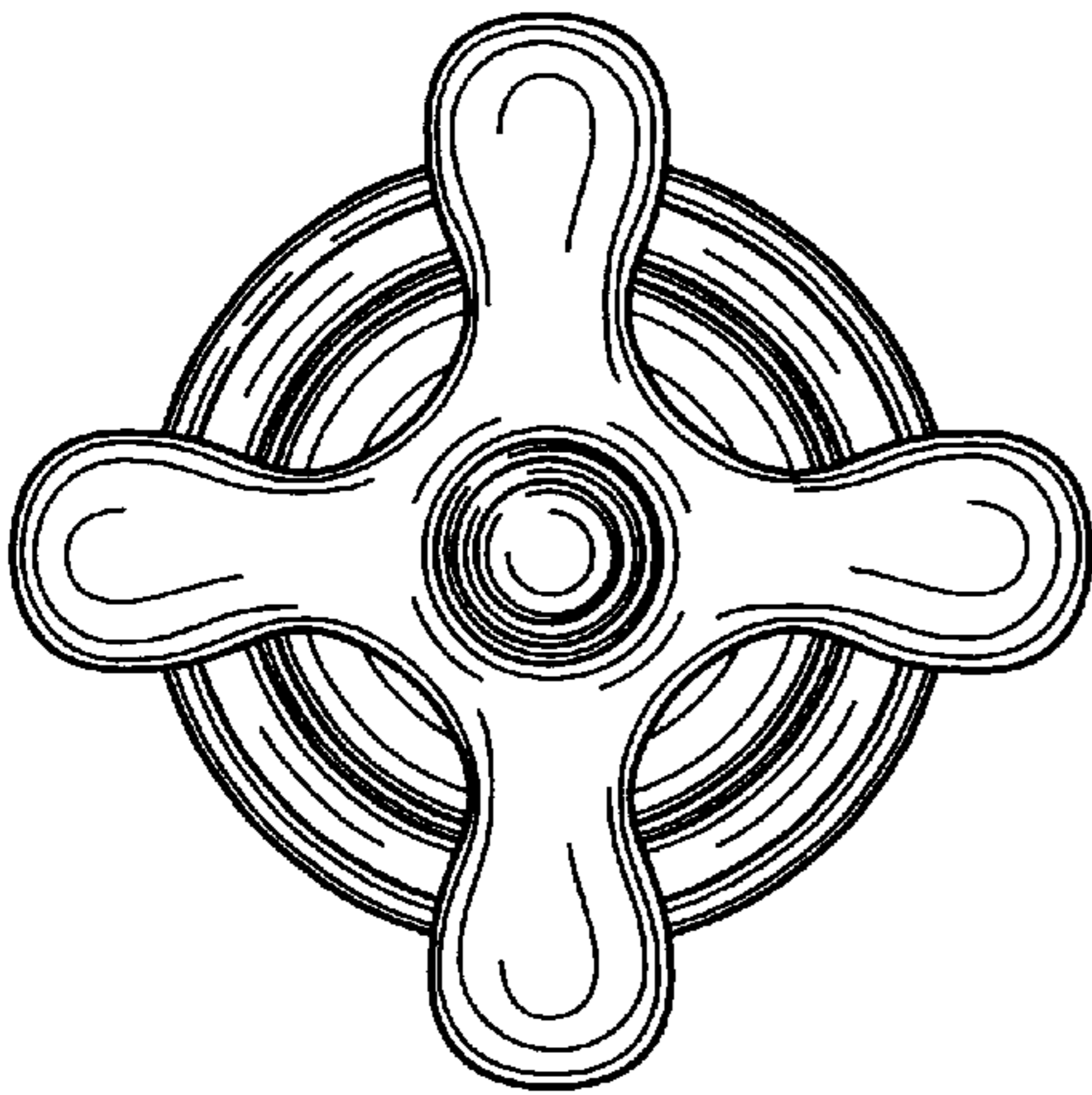


FIG. 3

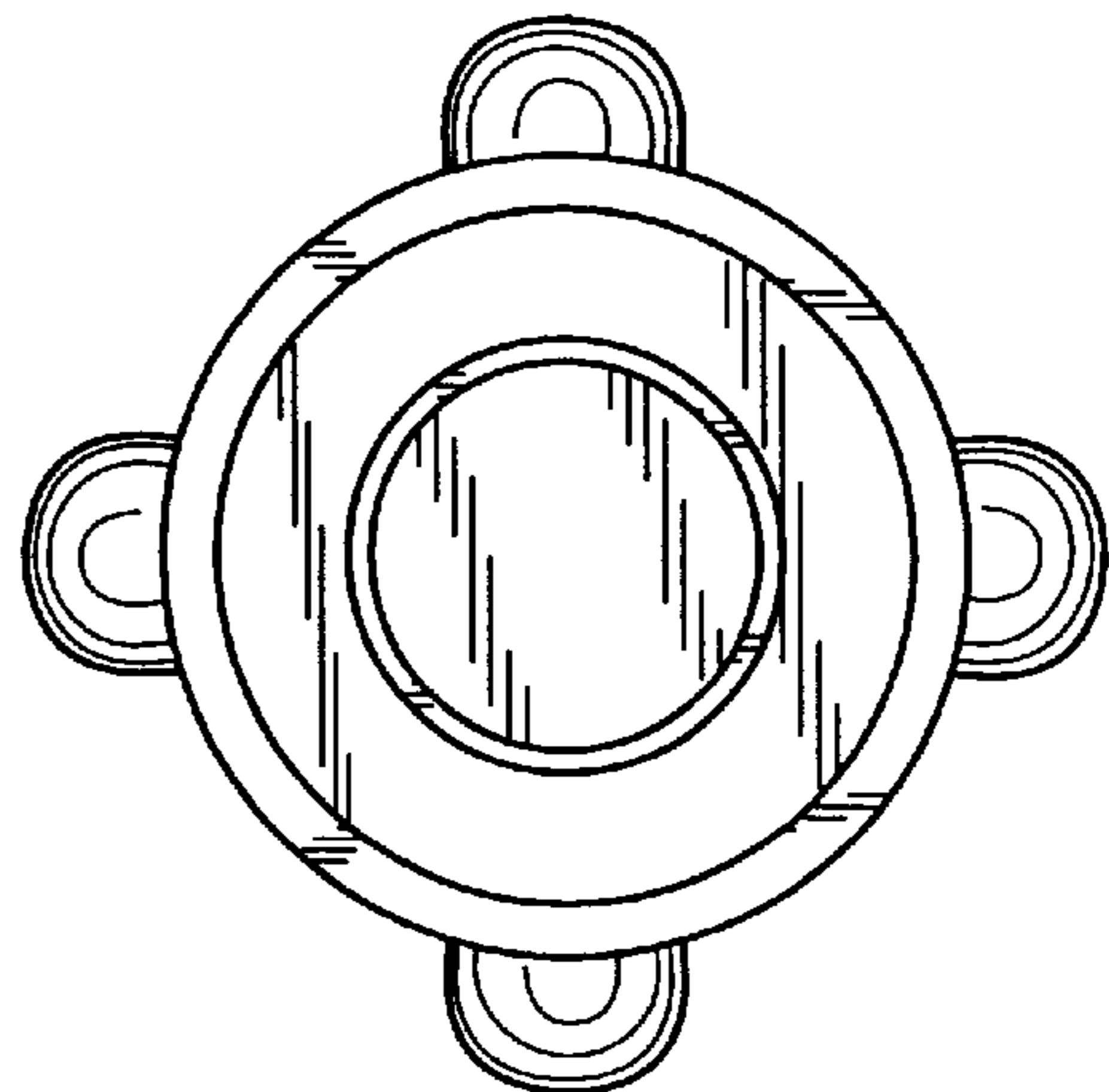


FIG. 4

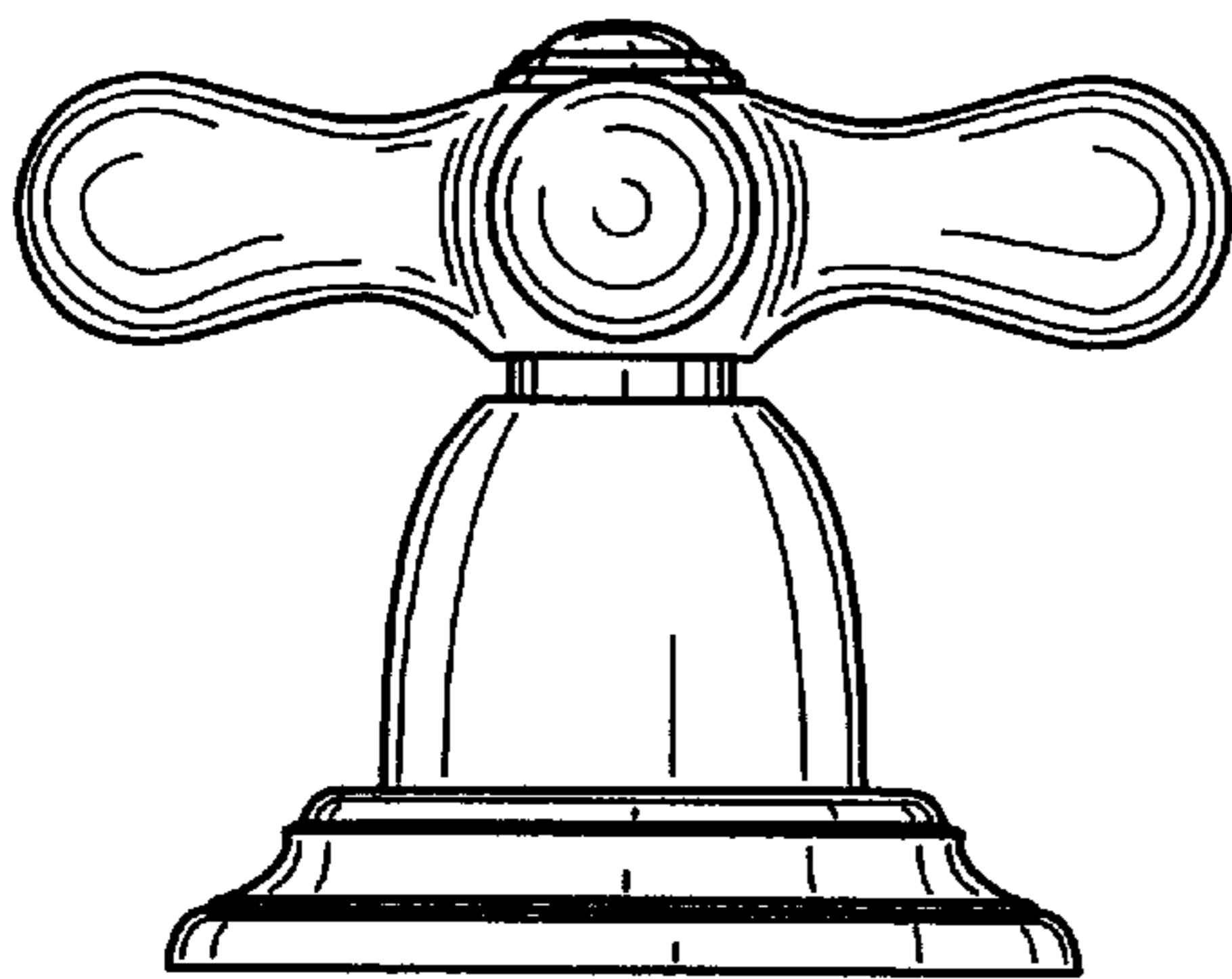


FIG. 5

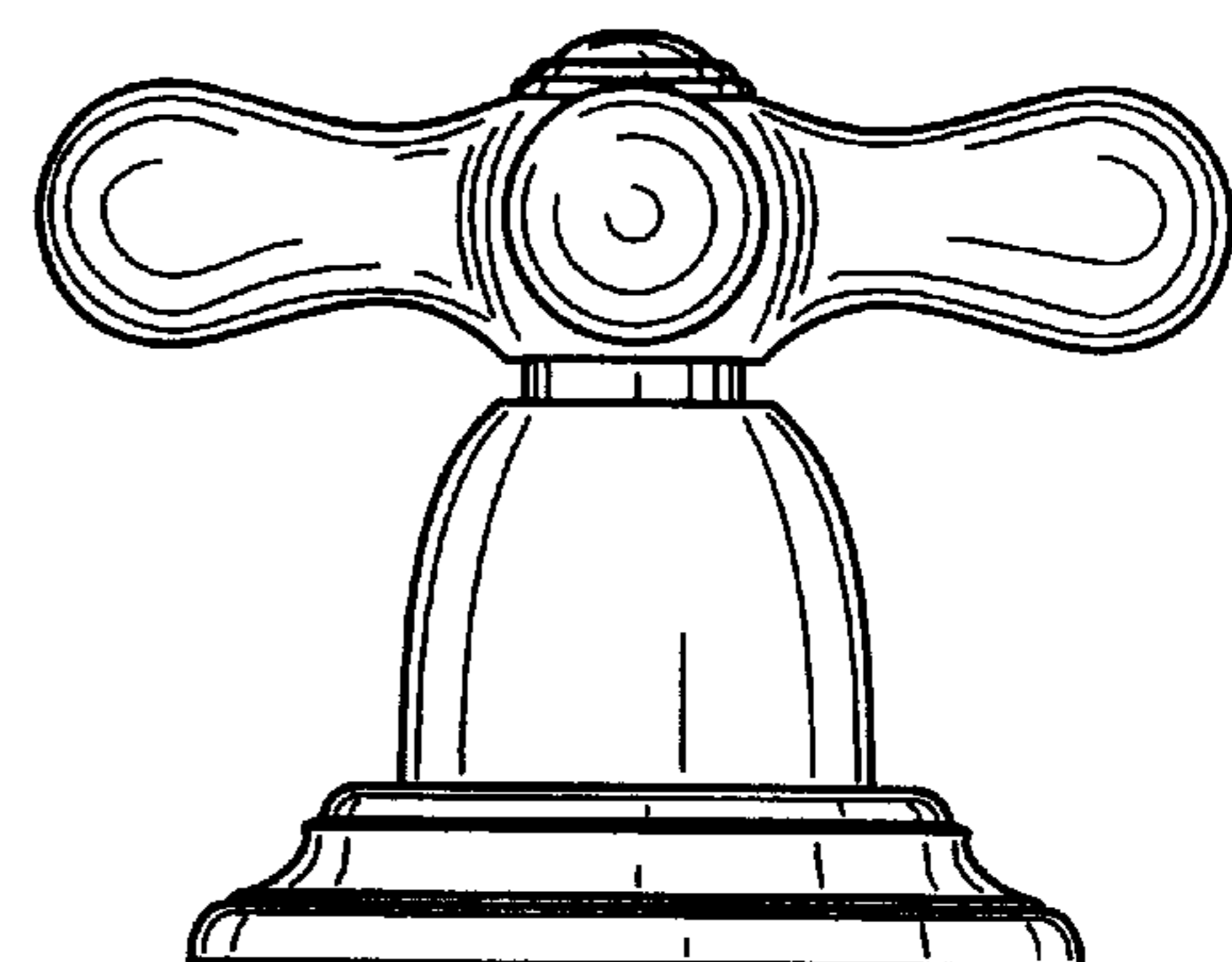


FIG. 6

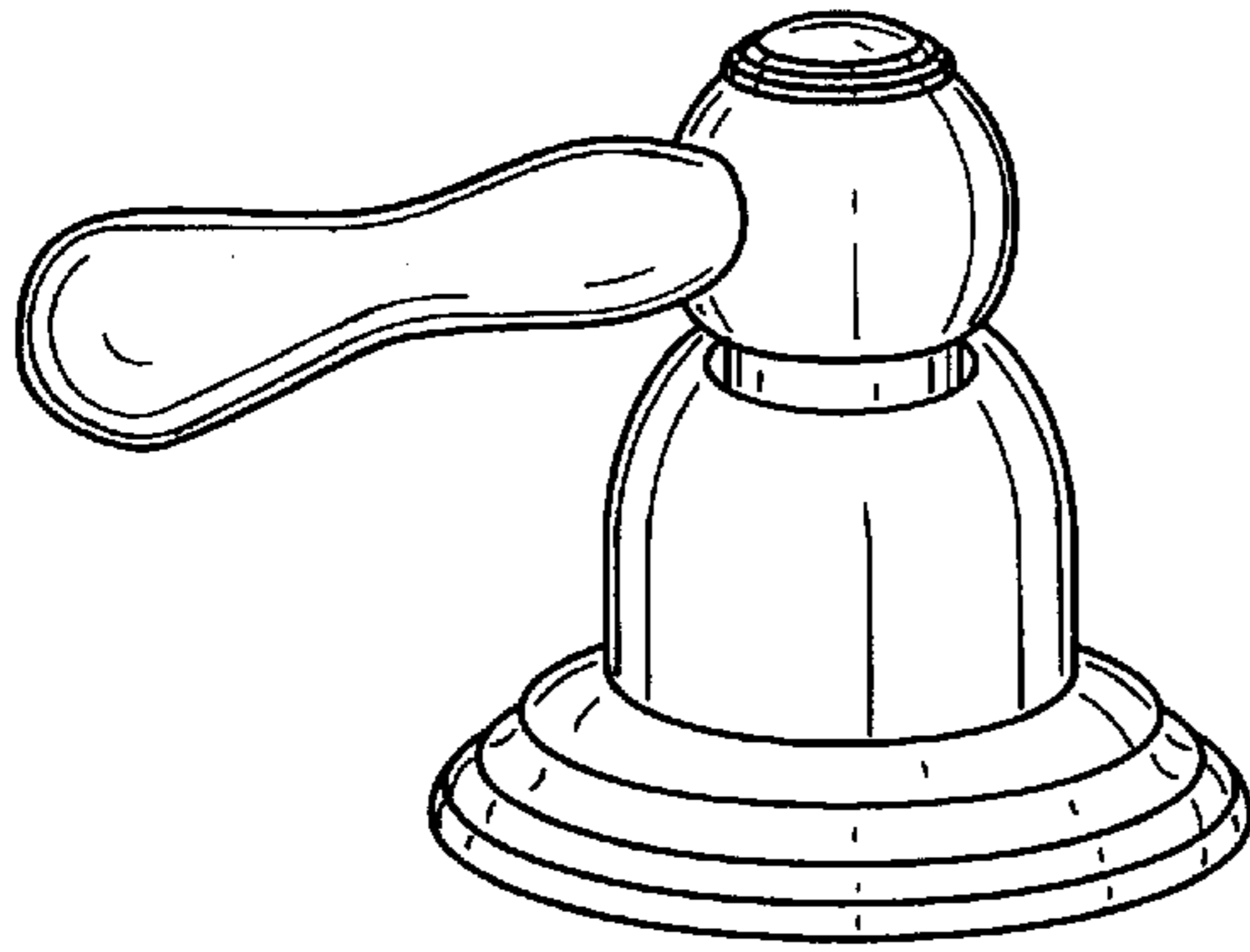


FIG. 7

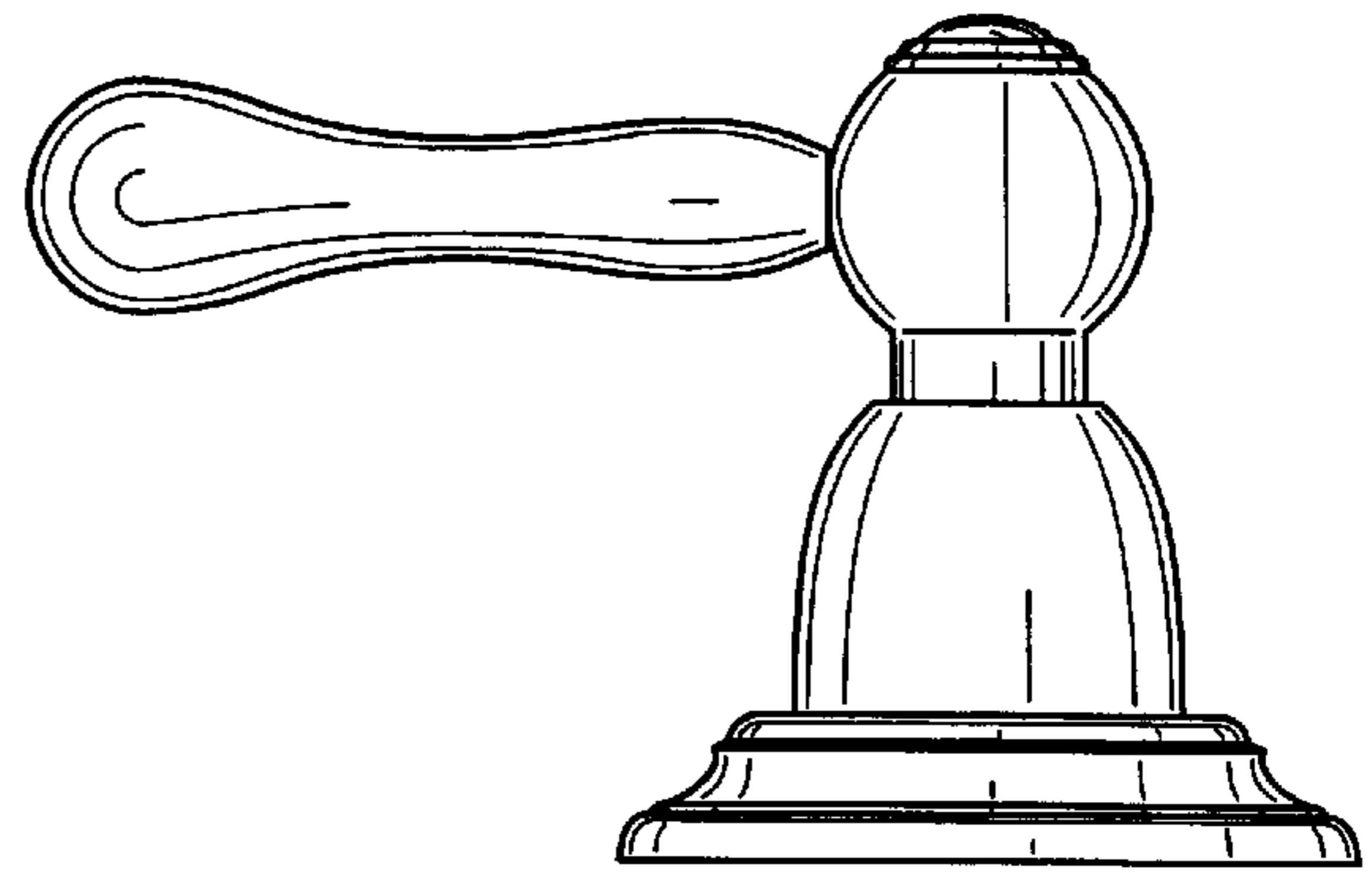


FIG. 8

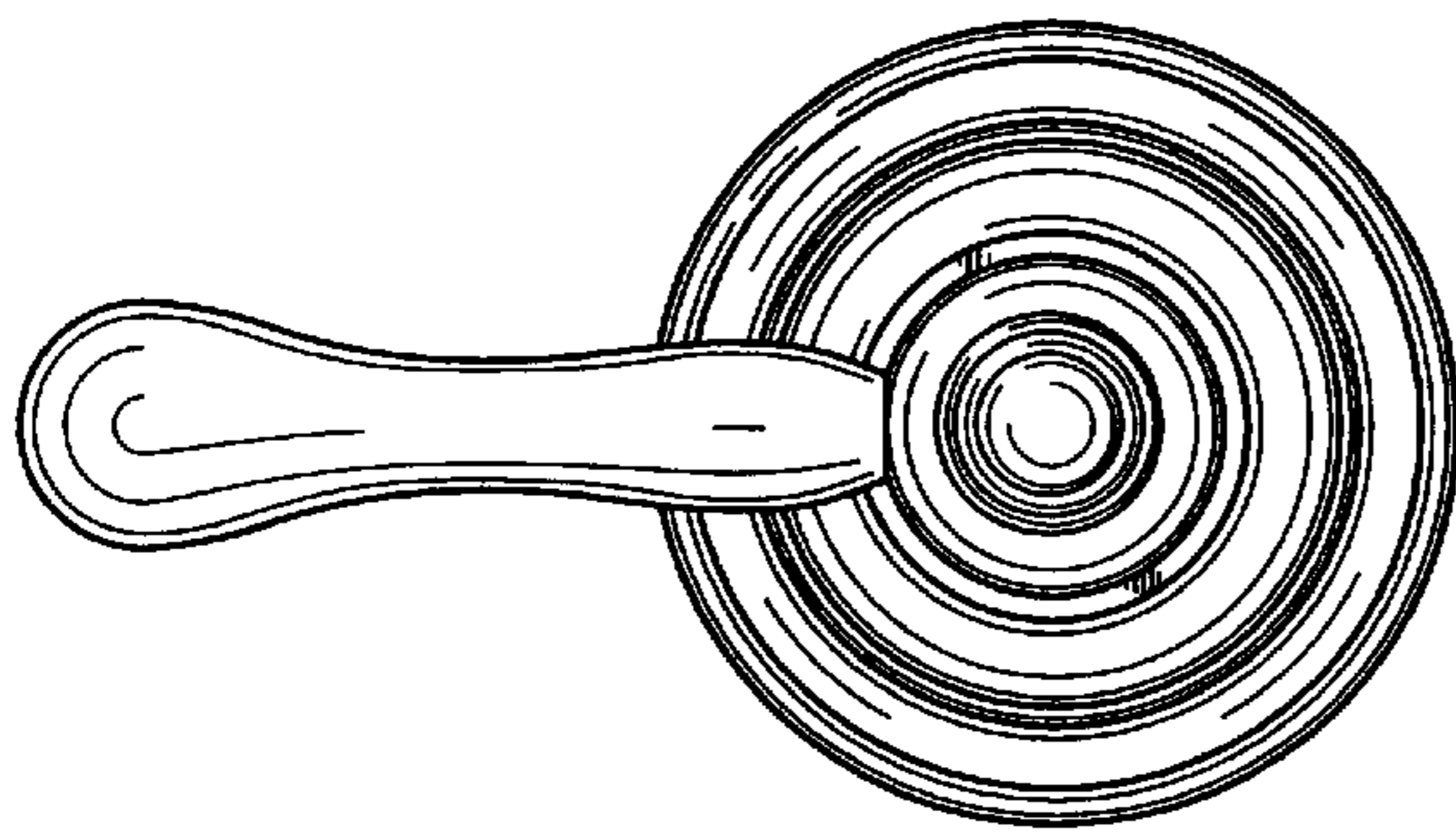


FIG. 9

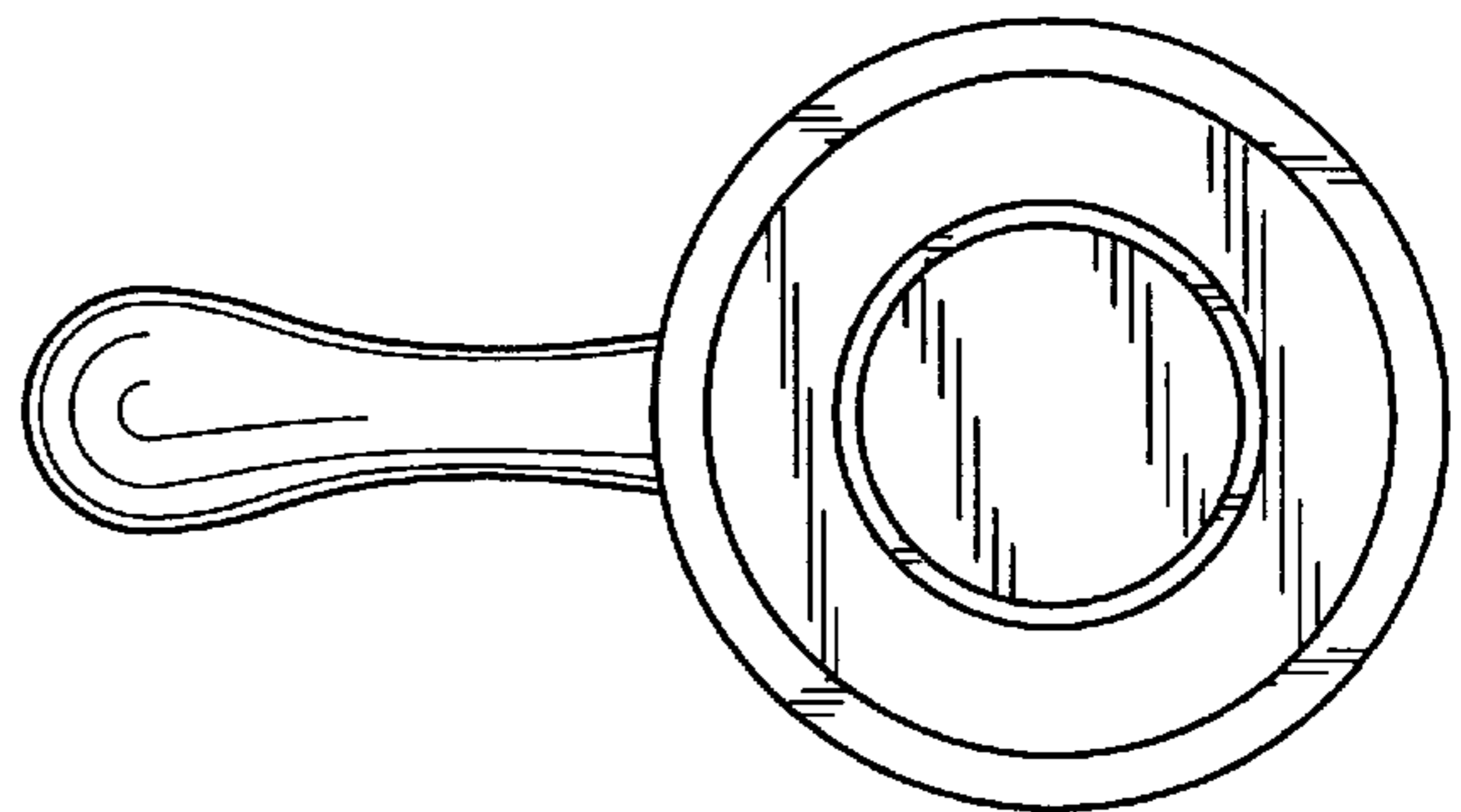


FIG. 10

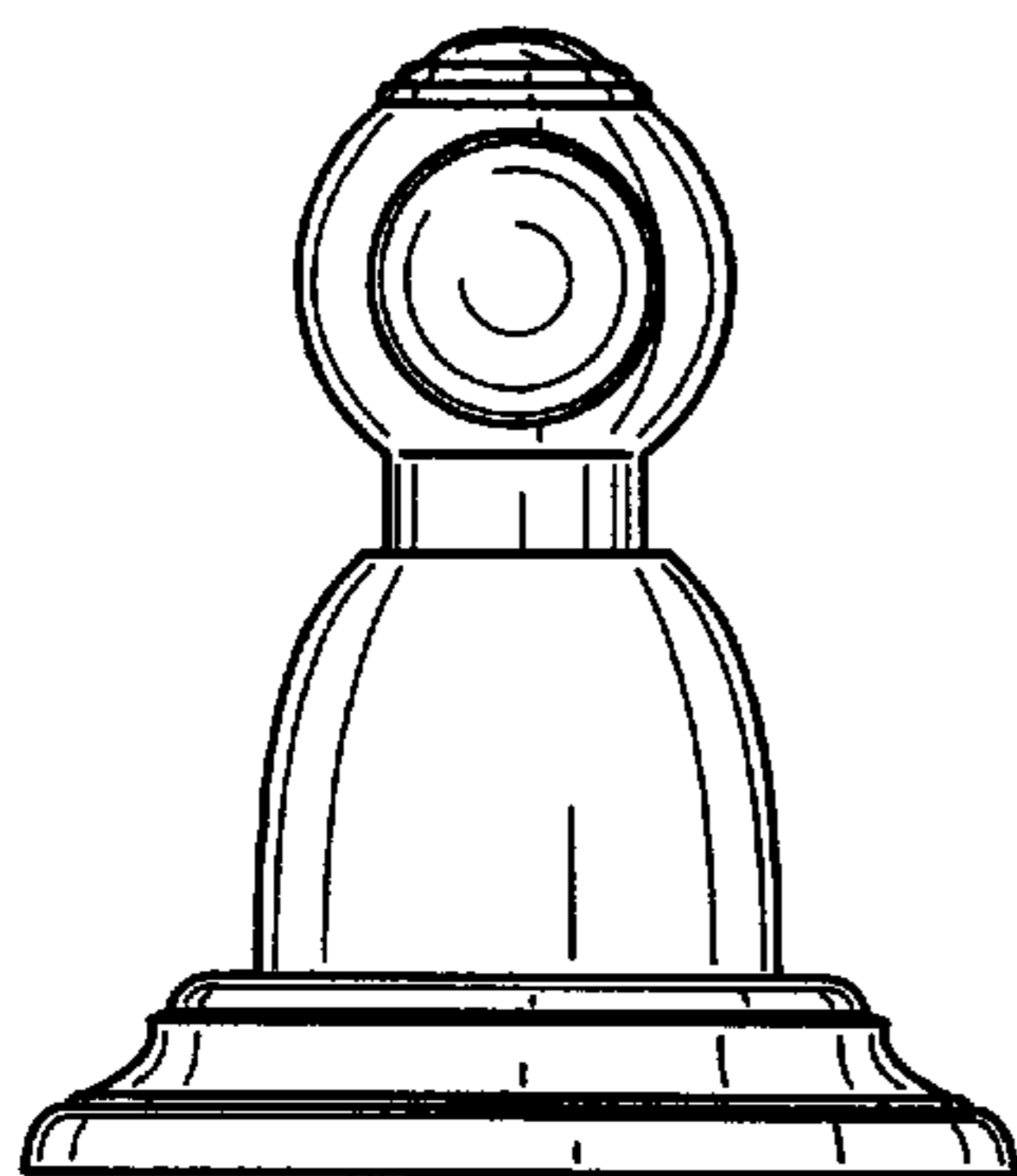


FIG. 11

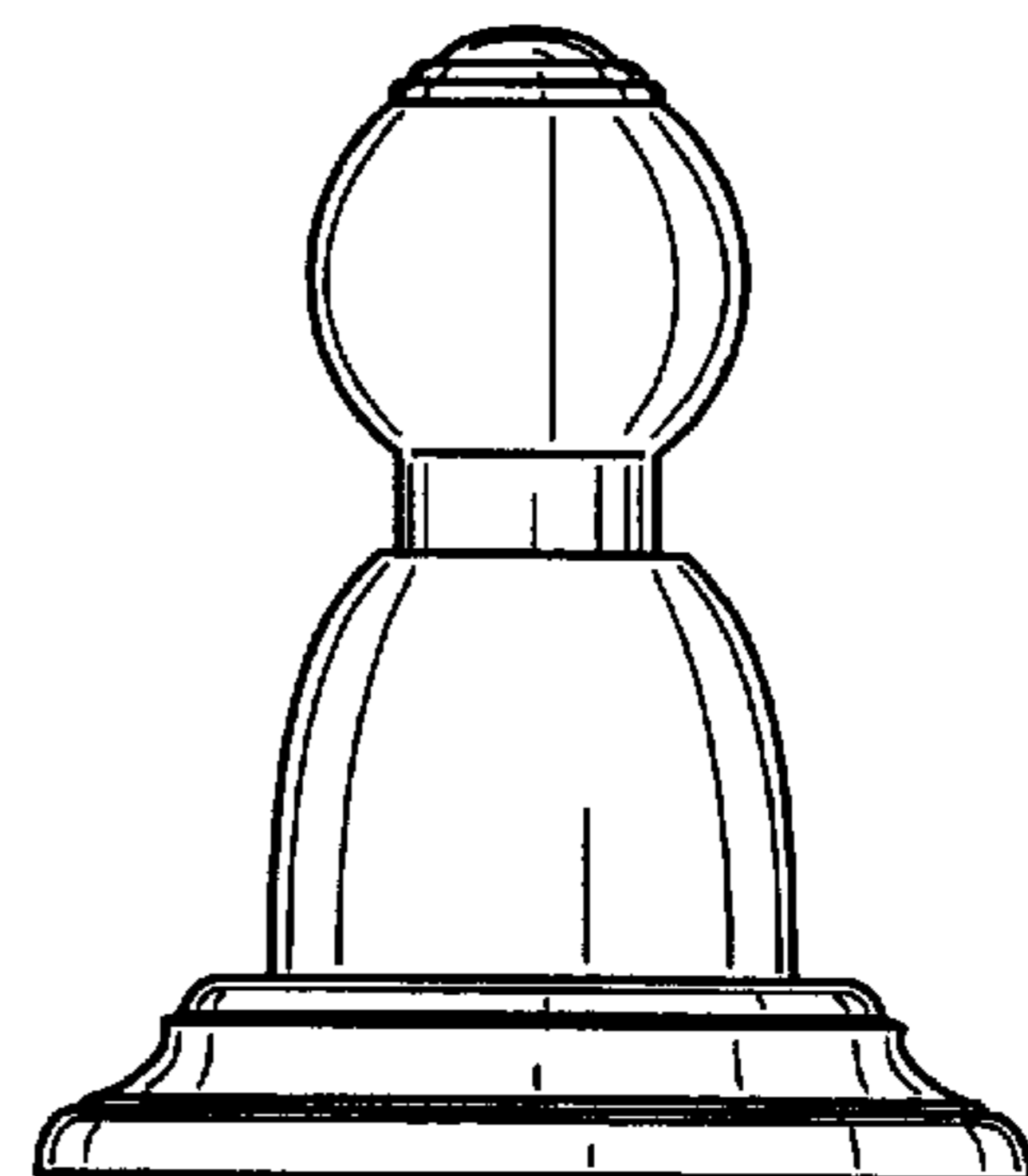


FIG. 12

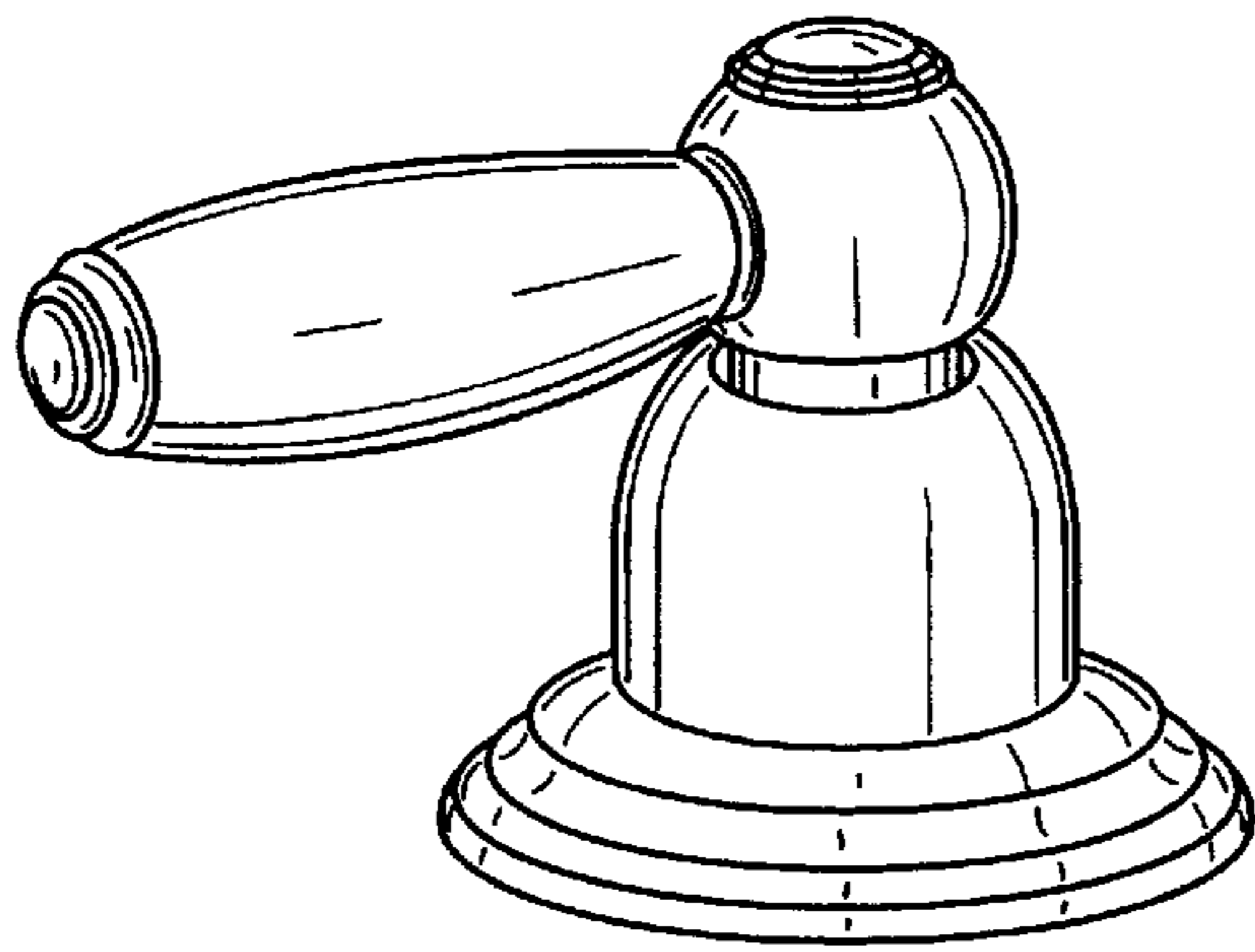


FIG. 13

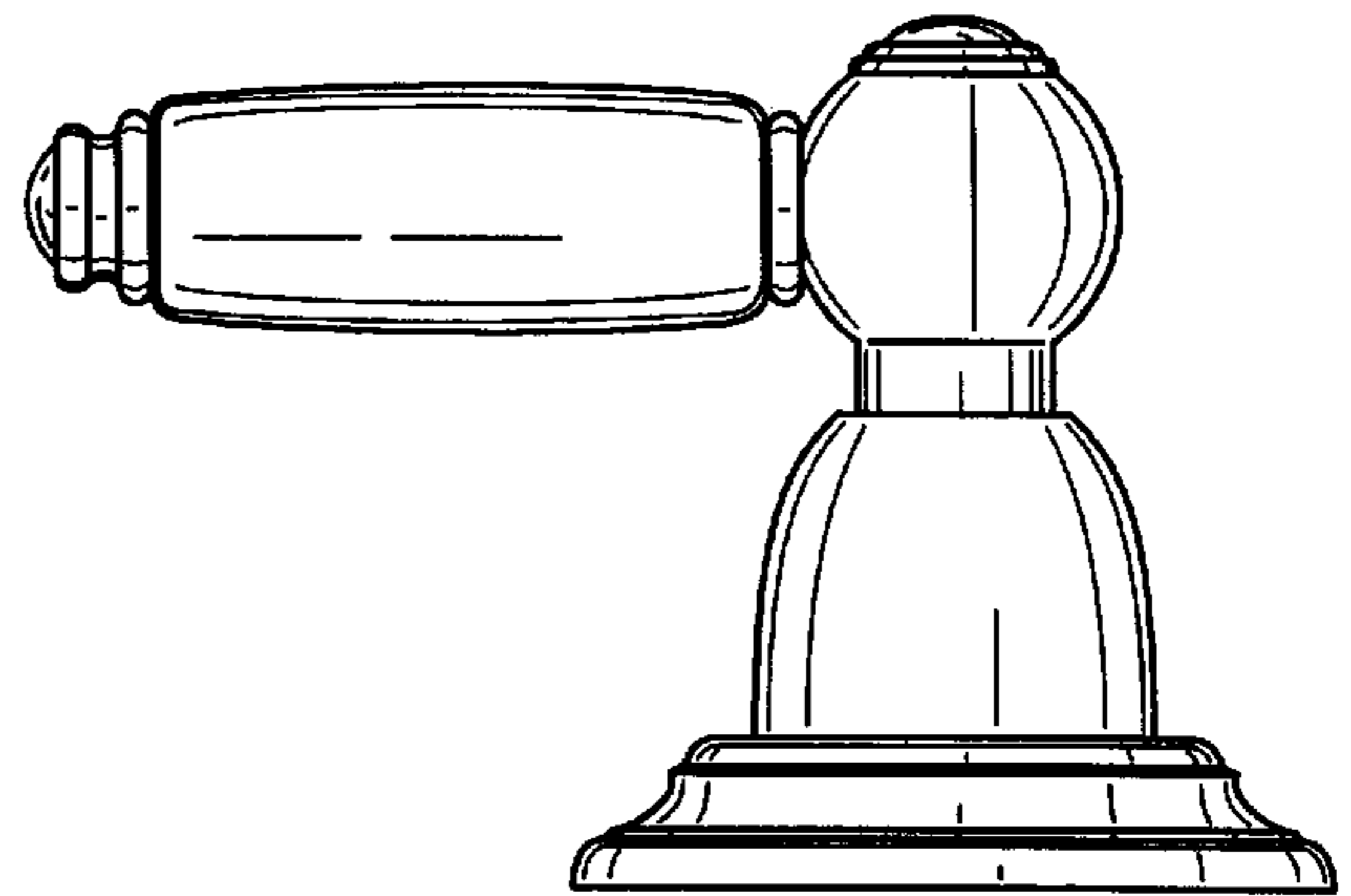


FIG. 14

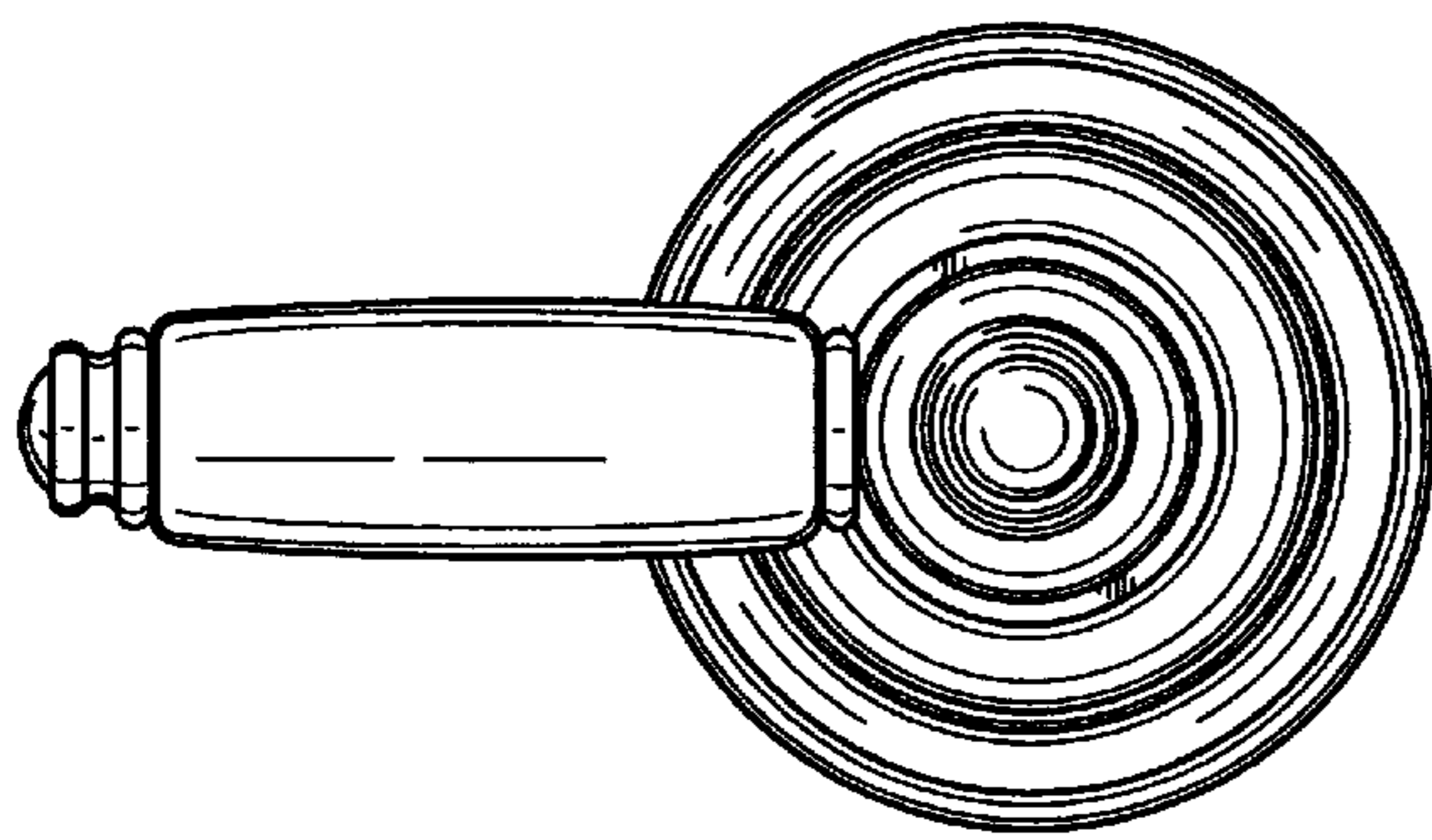


FIG. 15

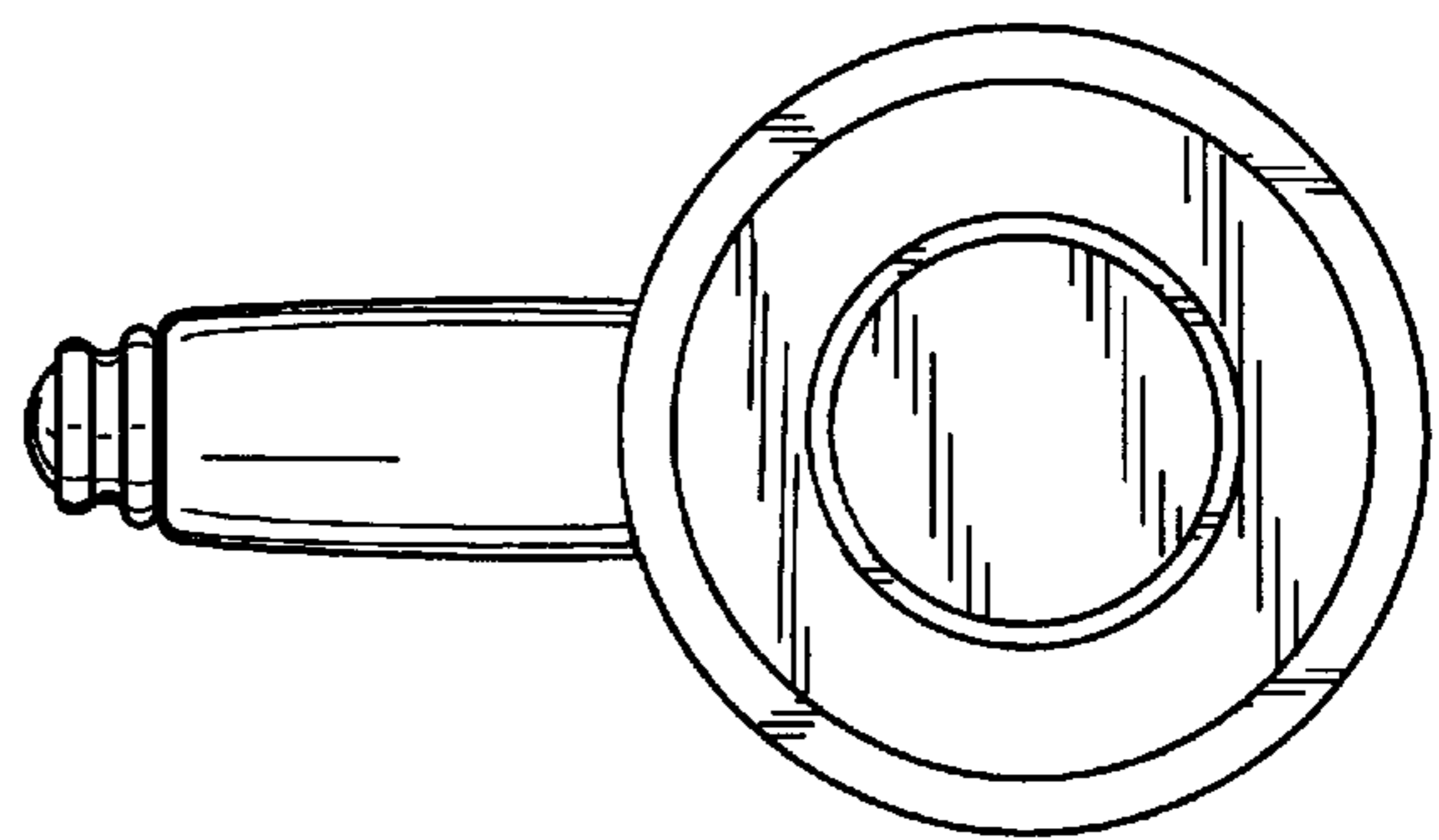


FIG. 16

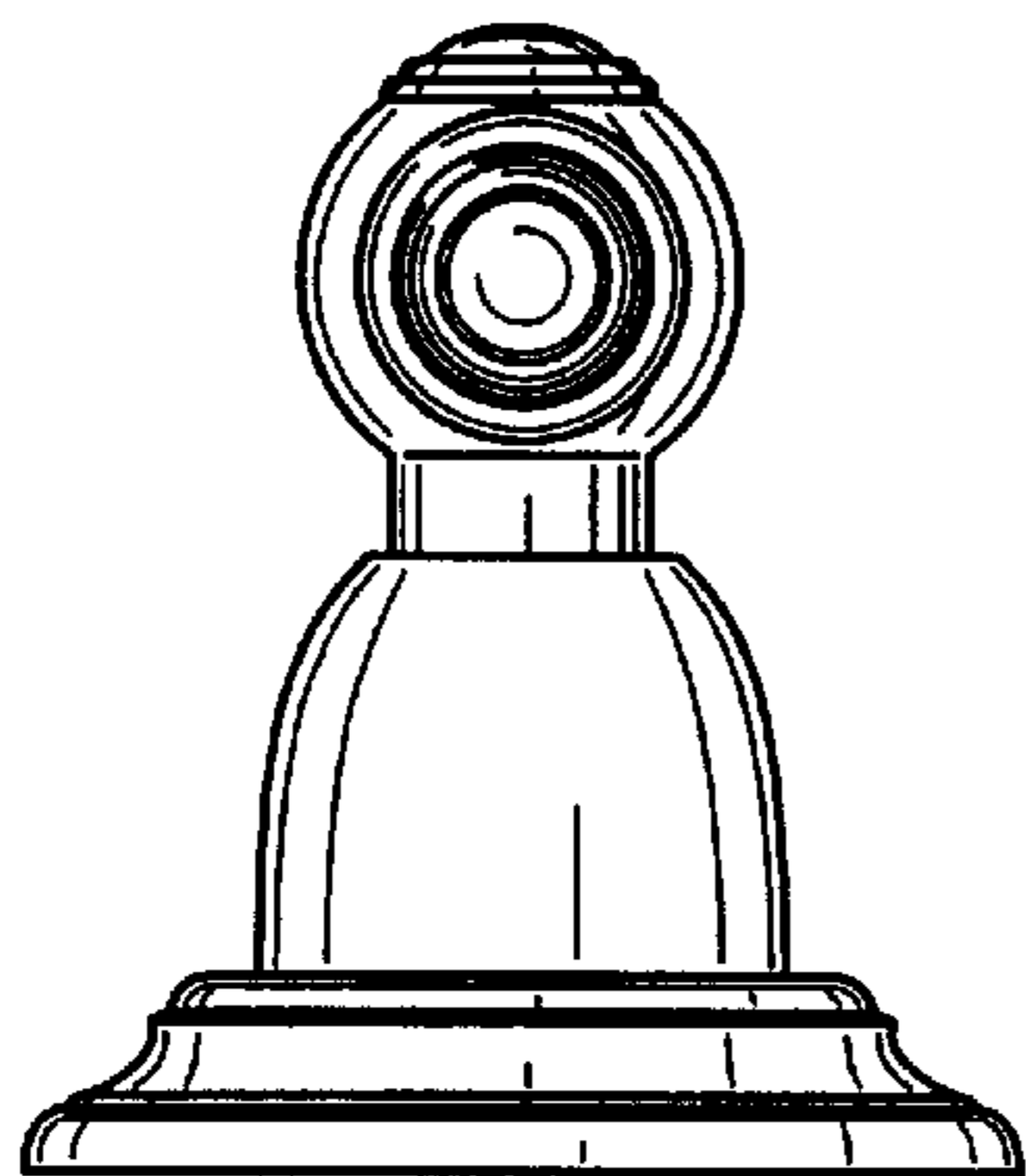


FIG. 17

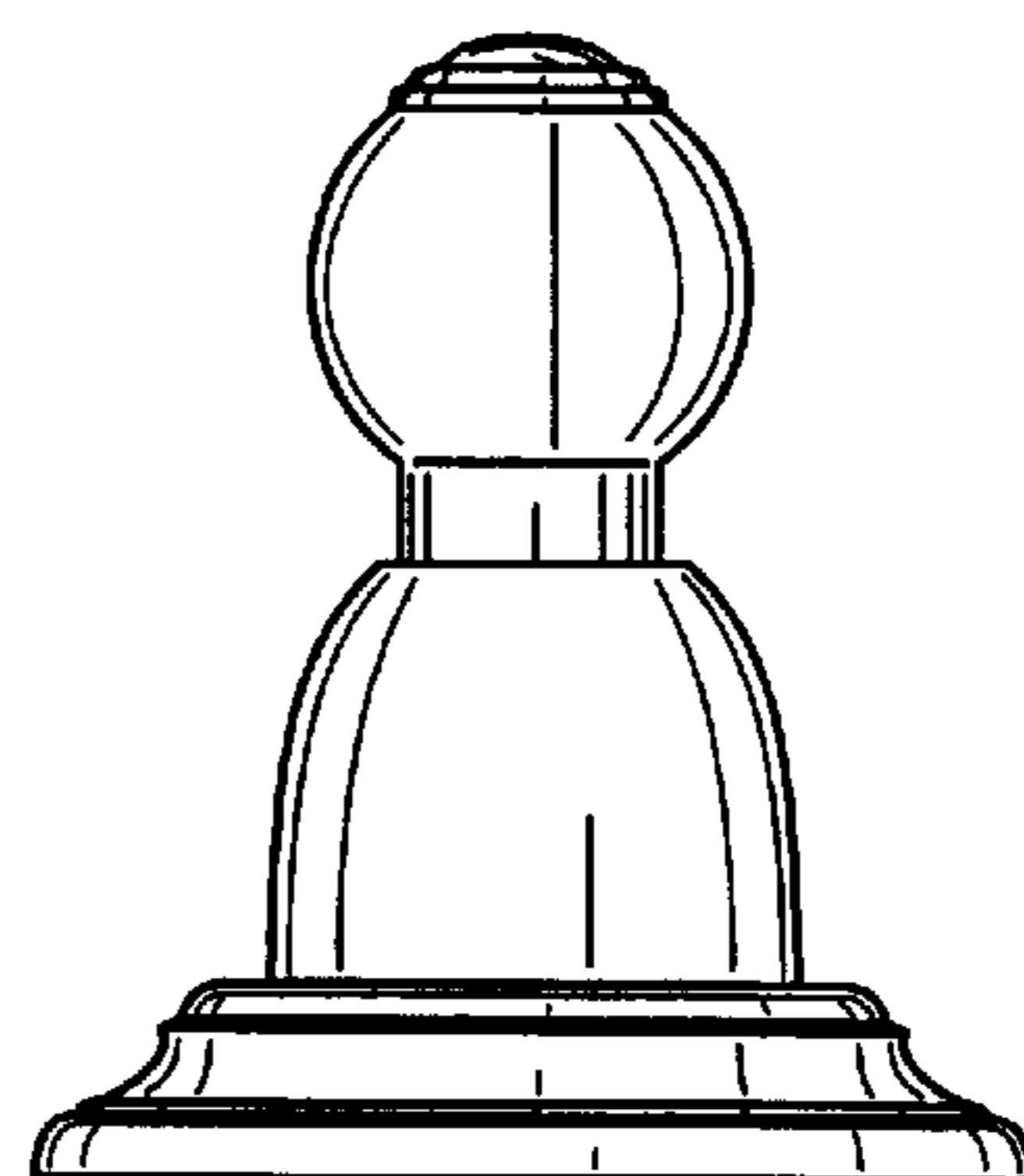


FIG. 18