



US00D404800S

**United States Patent** [19]  
**Lobermeier**

[11] **Patent Number: Des. 404,800**

[45] **Date of Patent: \*\*\*Jan. 26, 1999**

[54] **WALL-MOUNT LEVER-HANDLE BATHTUB FAUCET**

[75] Inventor: **Hans Lobermeier**, Menden, Germany

[73] Assignee: **Friedrich Grohe AG**, Hemer, Germany

[\*] Notice: The term of this patent shall not extend beyond the expiration date of Pat. No. D. 390,920.

[\*\*] Term: **14 Years**

[21] Appl. No.: **70,446**

[22] Filed: **May 8, 1997**

[30] **Foreign Application Priority Data**

Nov. 19, 1996 [DE] Germany ..... M 96 09 980.1

[51] **LOC (6) Cl.** ..... **23-01**

[52] **U.S. Cl.** ..... **D23/238**

[58] **Field of Search** ..... D23/238-243, D23/250-257; 4/675-678; 137/801

[56] **References Cited**

**U.S. PATENT DOCUMENTS**

D. 149,344 4/1948 Ritter ..... D23/240

- D. 293,599 1/1988 Bergmann et al. .... D23/238
- D. 312,118 11/1990 Son ..... D23/238
- D. 365,624 12/1995 Gottwald ..... D23/238
- D. 366,097 1/1996 Gottwald ..... D23/238

*Primary Examiner*—Louis S. Zarfaz  
*Assistant Examiner*—Eric Watterson  
*Attorney, Agent, or Firm*—Herbert Dubno

[57] **CLAIM**

The ornamental design for a wall-mount lever-handle bathtub faucet, as shown and described.

**DESCRIPTION**

FIG. 1 is a top, front, left-side perspective view of a wall-mount lever-handle bathtub faucet showing my new design;

FIG. 2 is a left side elevational view thereof, the right side being mirror symmetrical thereto;

FIG. 3 is a top view thereof;

FIG. 4 is a front view thereof;

FIG. 5 is a rear view thereof; and,

FIG. 6 is a bottom view thereof.

**1 Claim, 3 Drawing Sheets**

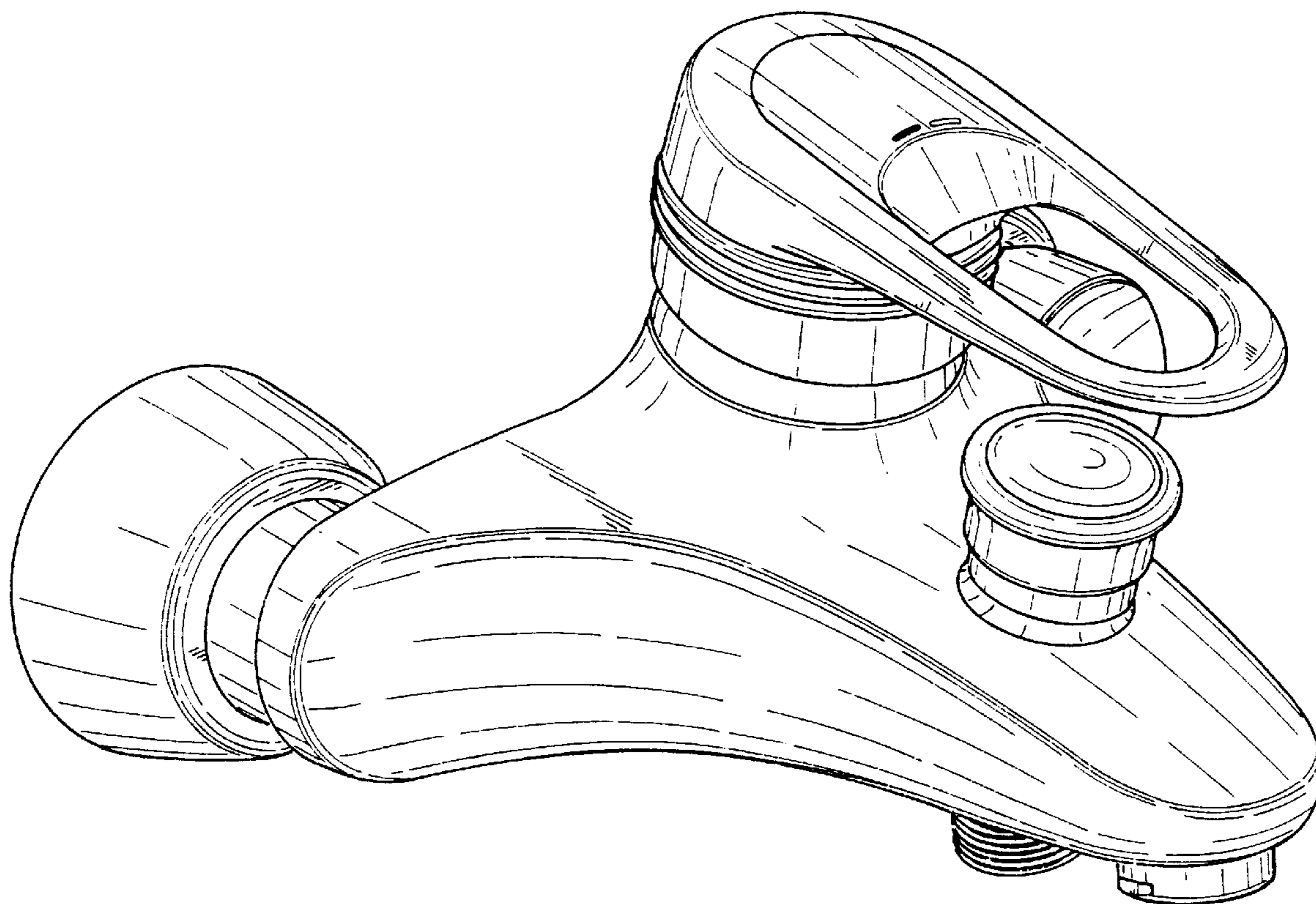


FIG. 1

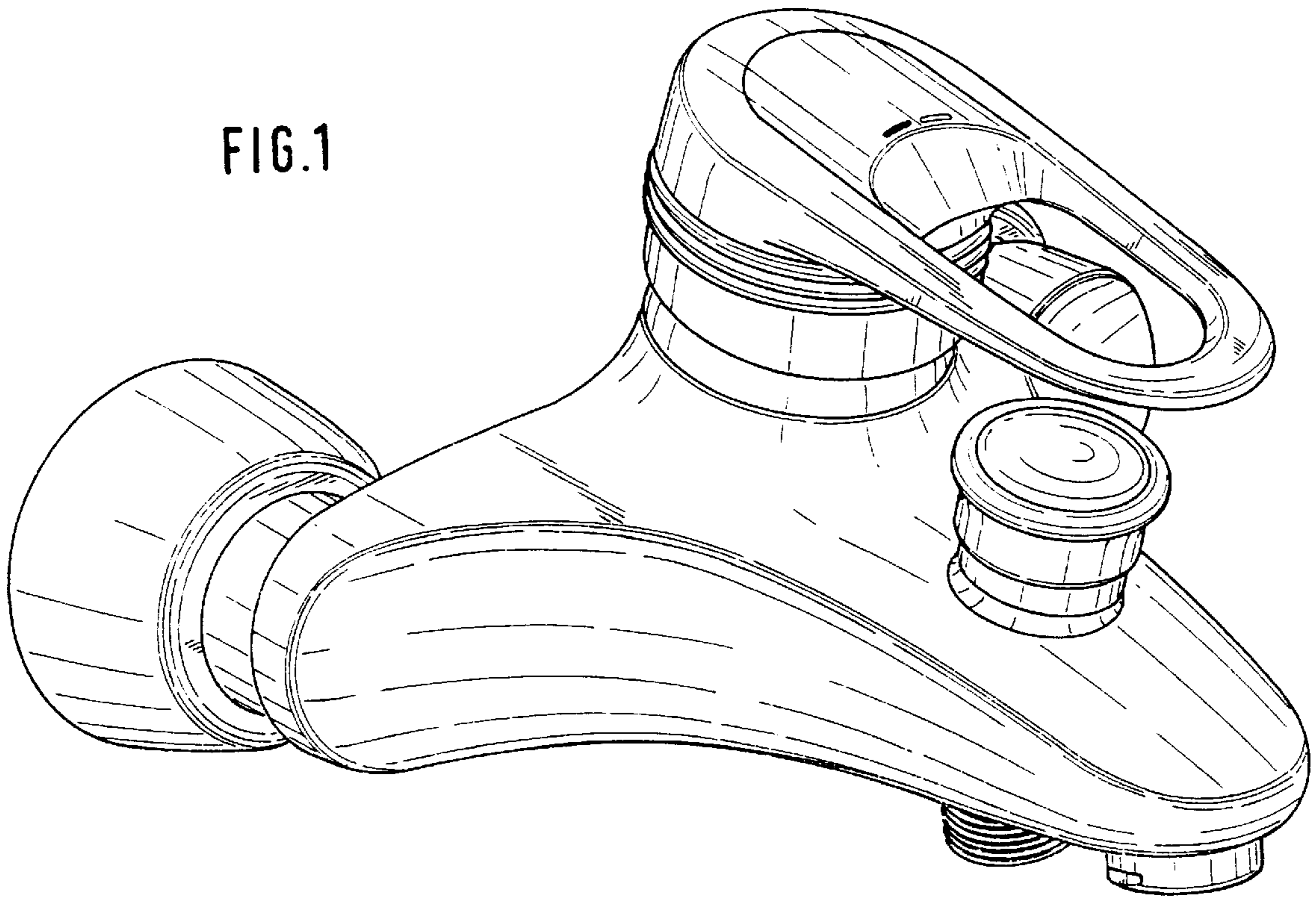
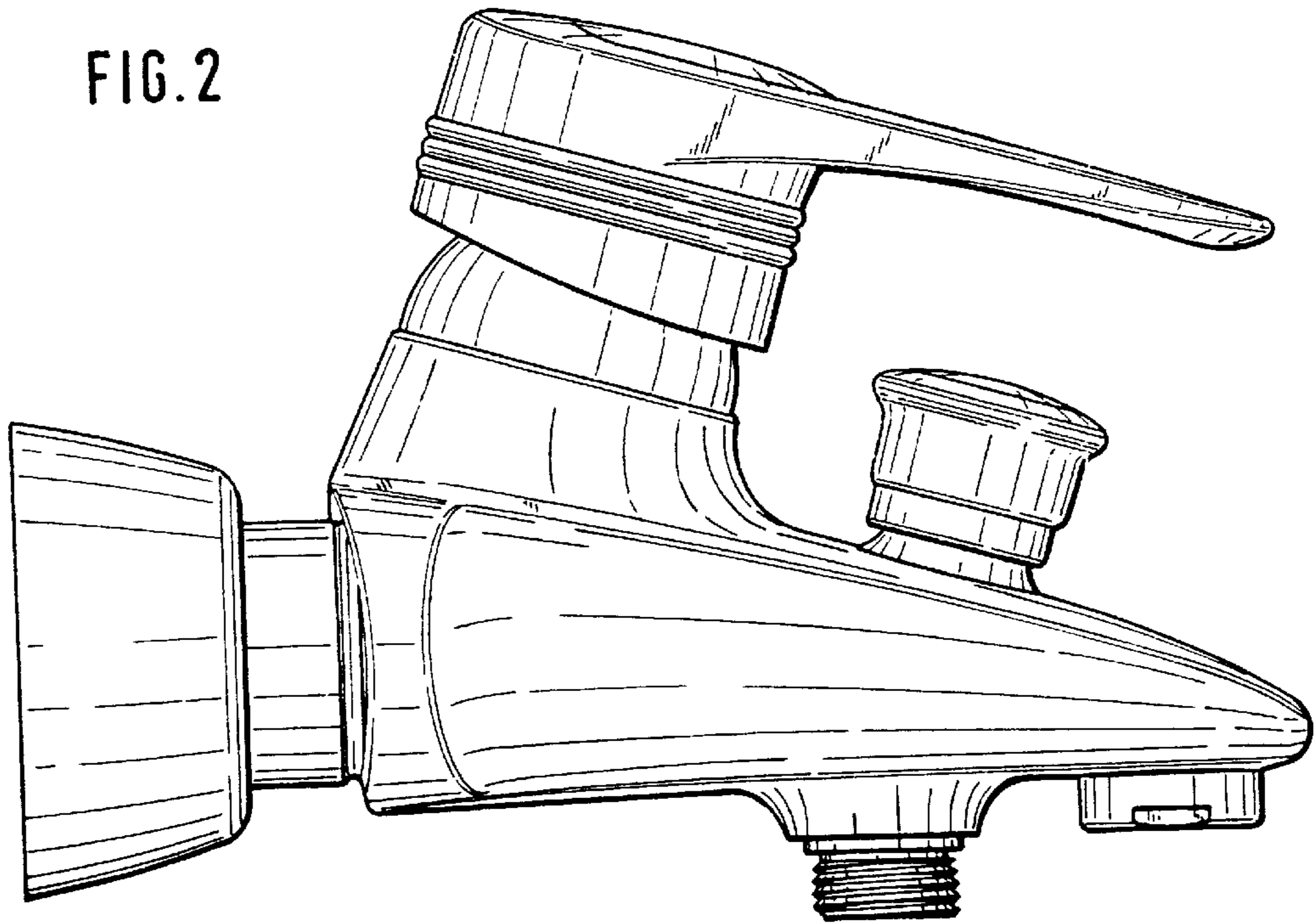


FIG. 2



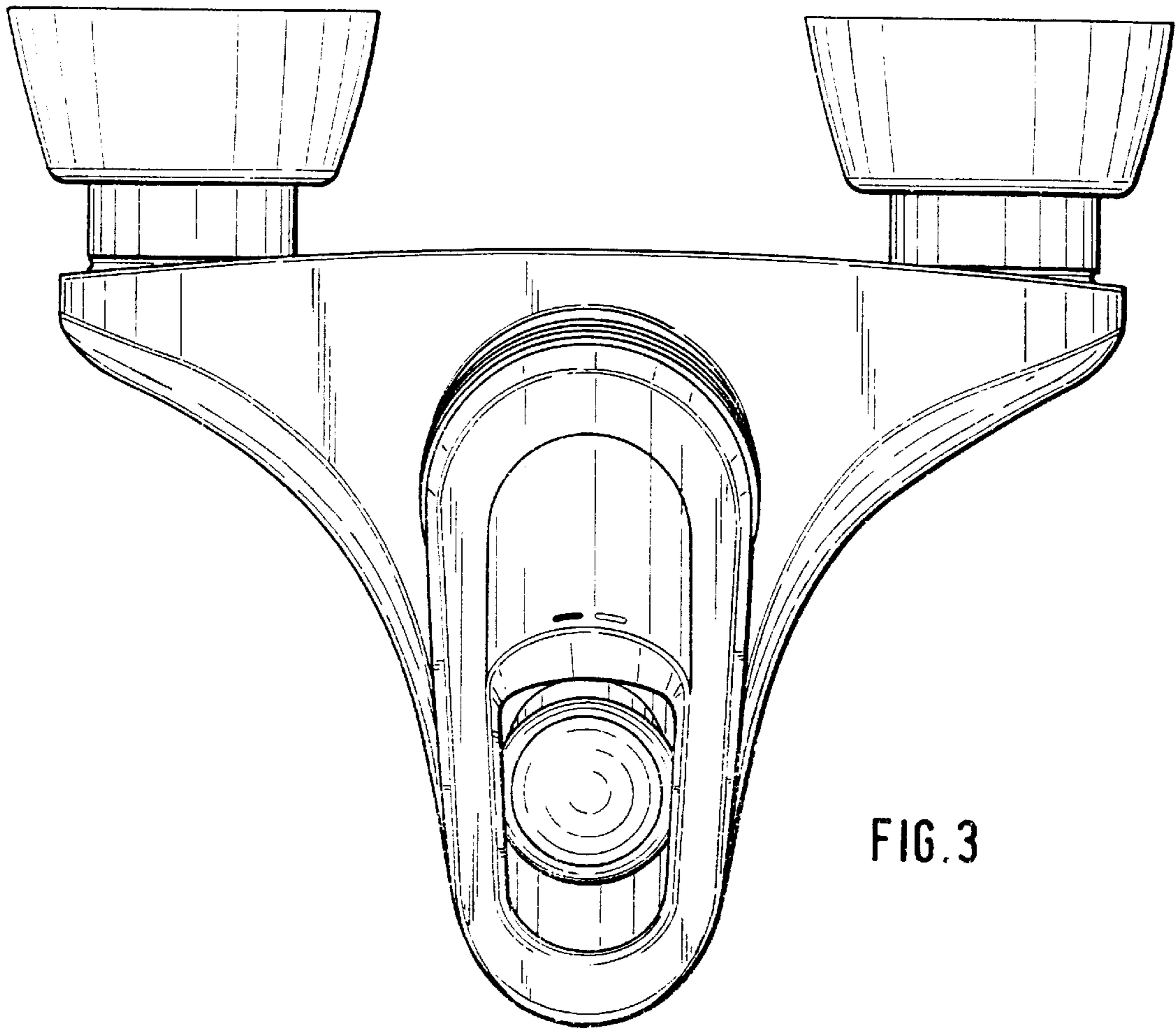


FIG. 3

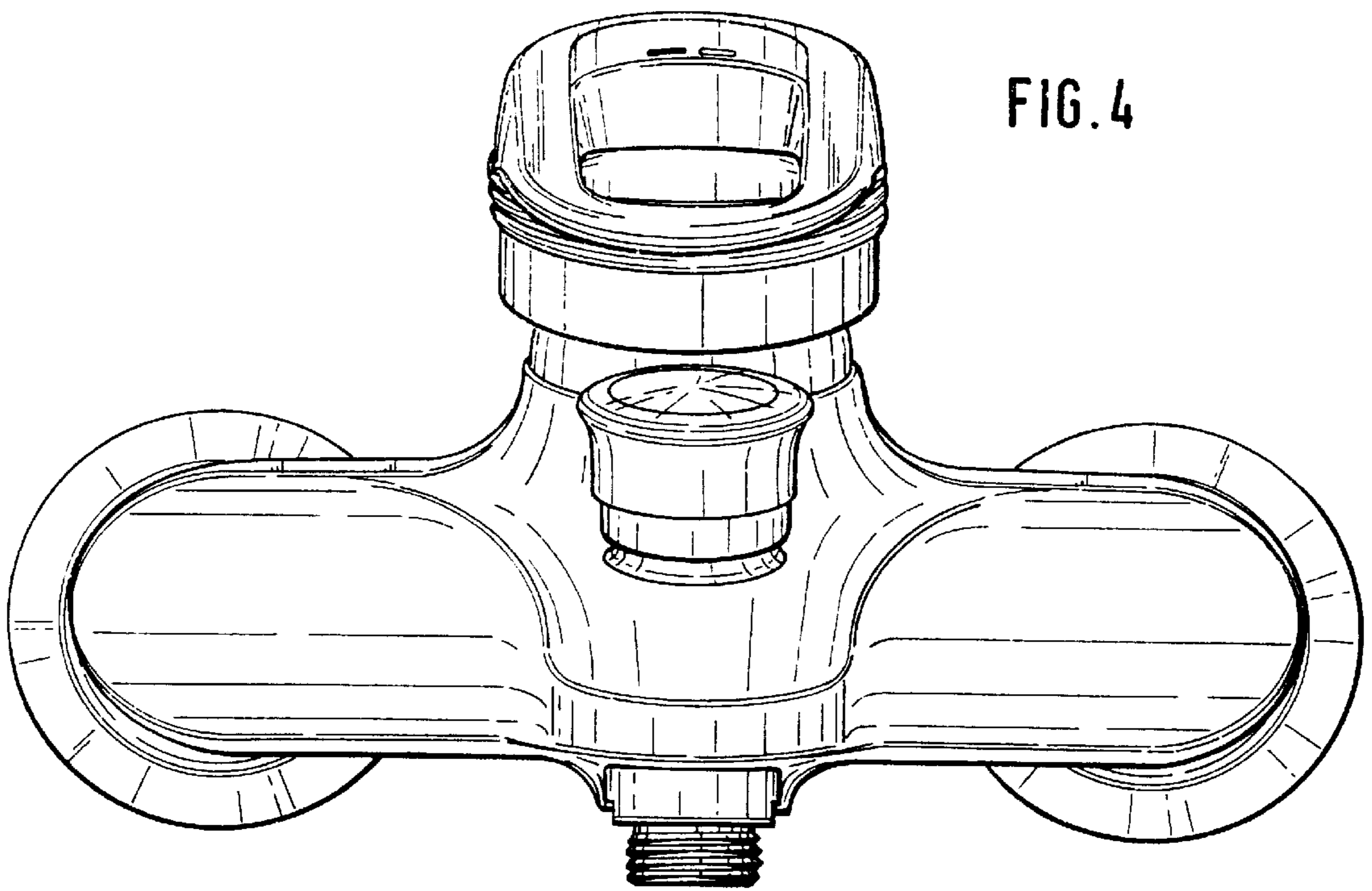


FIG. 4

