



US00D404798S

United States Patent [19] Goodin

[11] **Patent Number: Des. 404,798**

[45] **Date of Patent: **Jan. 26, 1999**

[54] **PISTOL HOSE NOZZLE WITH ADJUSTABLE SPRAY**

[75] Inventor: **John W. Goodin**, Coto De Caza, Calif.

[73] Assignee: **L.R. Nelson Corporation**, Peoria, Ill.

[**] Term: **14 Years**

[21] Appl. No.: **76,626**

[22] Filed: **Sep. 24, 1997**

D. 328,780	8/1992	Aquilina .	
D. 361,122	8/1995	Goodin .	
D. 373,814	9/1996	Wang	D23/226
2,937,813	5/1960	Rinkewich .	
2,991,945	7/1961	Rosenkranz .	
3,111,273	11/1963	Mei .	
3,799,447	3/1974	Beal .	
4,219,162	8/1980	Dadson .	
4,534,512	8/1985	Chow et al. .	
4,618,100	10/1986	White et al. .	
4,903,897	2/1990	Hayes .	
5,232,162	8/1993	Chih .	
5,566,886	10/1996	Wang	239/394

Related U.S. Application Data

[62] Division of Ser. No. 47,935, Dec. 15, 1995.

[51] **LOC (6) Cl. 23-01**

[52] **U.S. Cl. D23/226**

[58] **Field of Search D23/213, 223-229;
239/394, 525-528, 414-5**

Primary Examiner—Alan P. Douglas
Assistant Examiner—Robin V. Taylor
Attorney, Agent, or Firm—Daniel J. Hulseberg; Mayer, Brown & Platt

[57] CLAIM

The ornamental design for a pistol hose nozzle with adjustable spray, as shown and described.

[56] References Cited

U.S. PATENT DOCUMENTS

D. 148,892	3/1948	Swimmer .	
D. 185,186	5/1959	Beinert .	
D. 194,014	11/1962	Gilmour .	
D. 225,222	11/1972	Gilmour .	
D. 225,736	1/1973	Mango et al. .	
D. 246,673	12/1977	Hall .	
D. 251,917	5/1979	Morgan .	
D. 270,657	9/1983	Clivio et al.	D23/213
D. 291,725	9/1987	Huckenbeck	D23/213
D. 300,348	3/1989	Lubeck .	
D. 314,609	2/1991	Liaw et al.	D23/226

DESCRIPTION

FIG. 1 is a right side elevational view showing a first embodiment of a pistol hose nozzle with adjustable spray of my new design;
FIG. 2 is a left side elevational view thereof;
FIG. 3 is a front elevational view thereof;
FIG. 4 is a rear elevational view thereof;
FIG. 5 is a top plan view thereof; and,
FIG. 6 is a bottom plan view thereof.

1 Claim, 3 Drawing Sheets

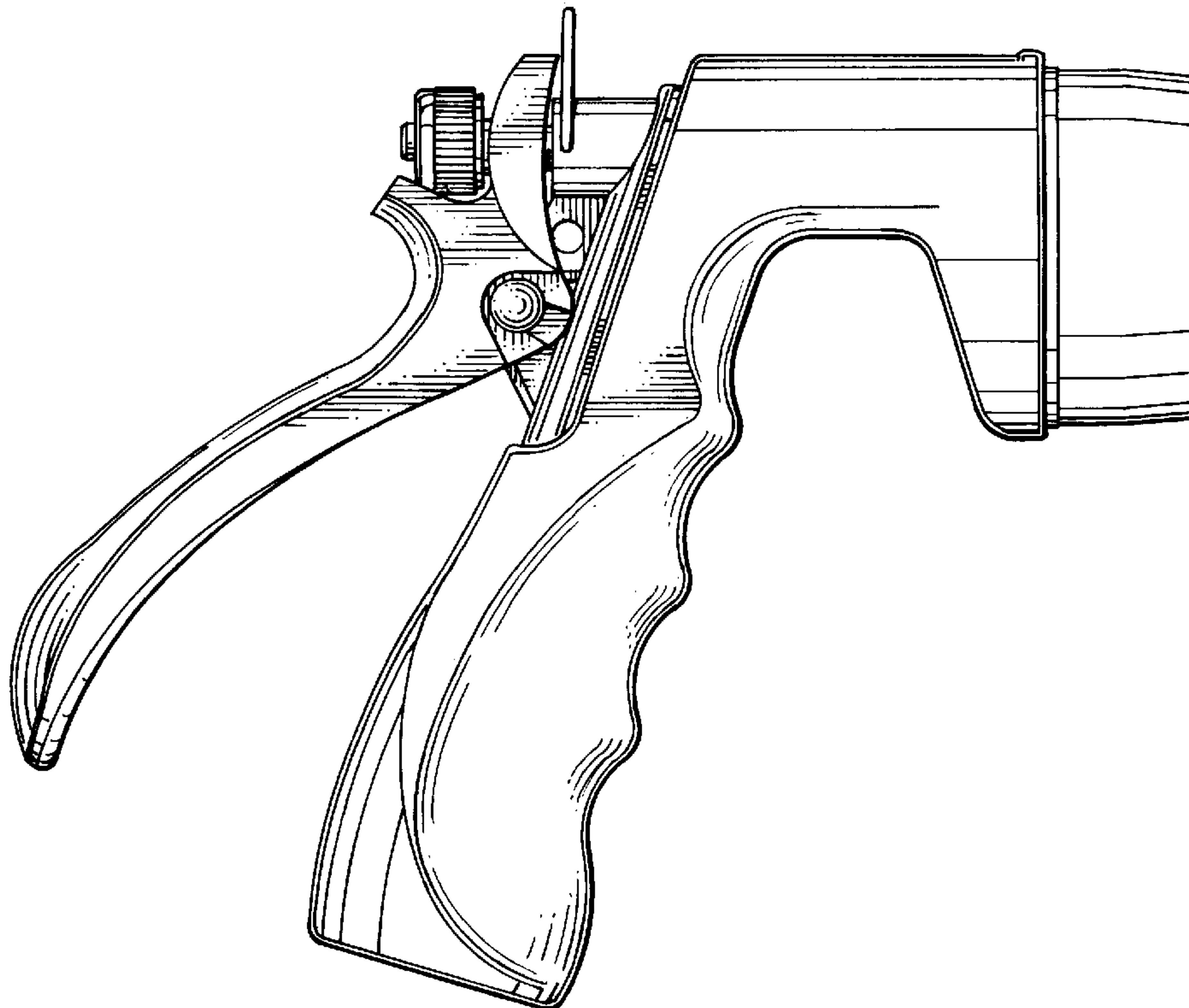


FIG. 1

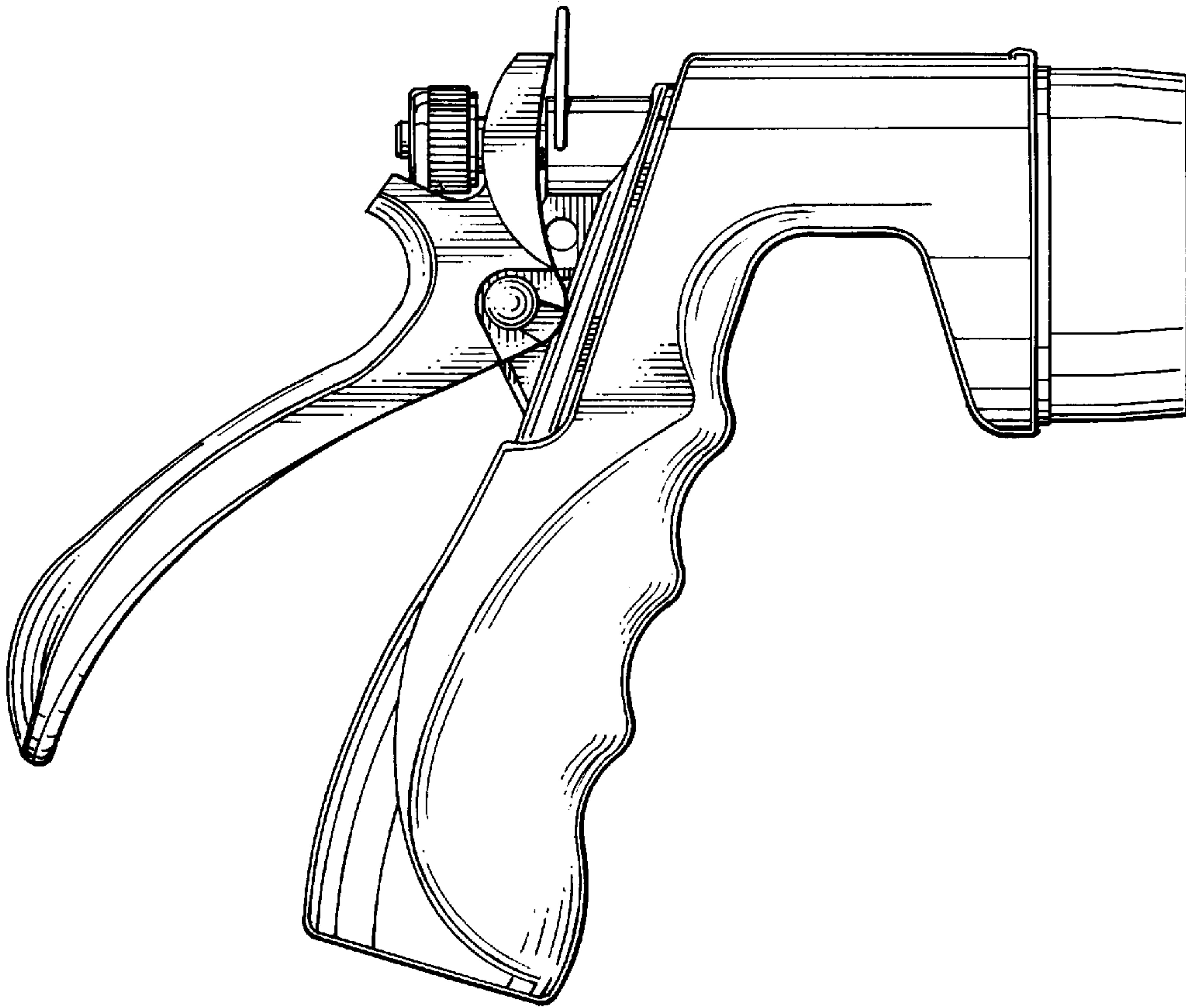


FIG. 2

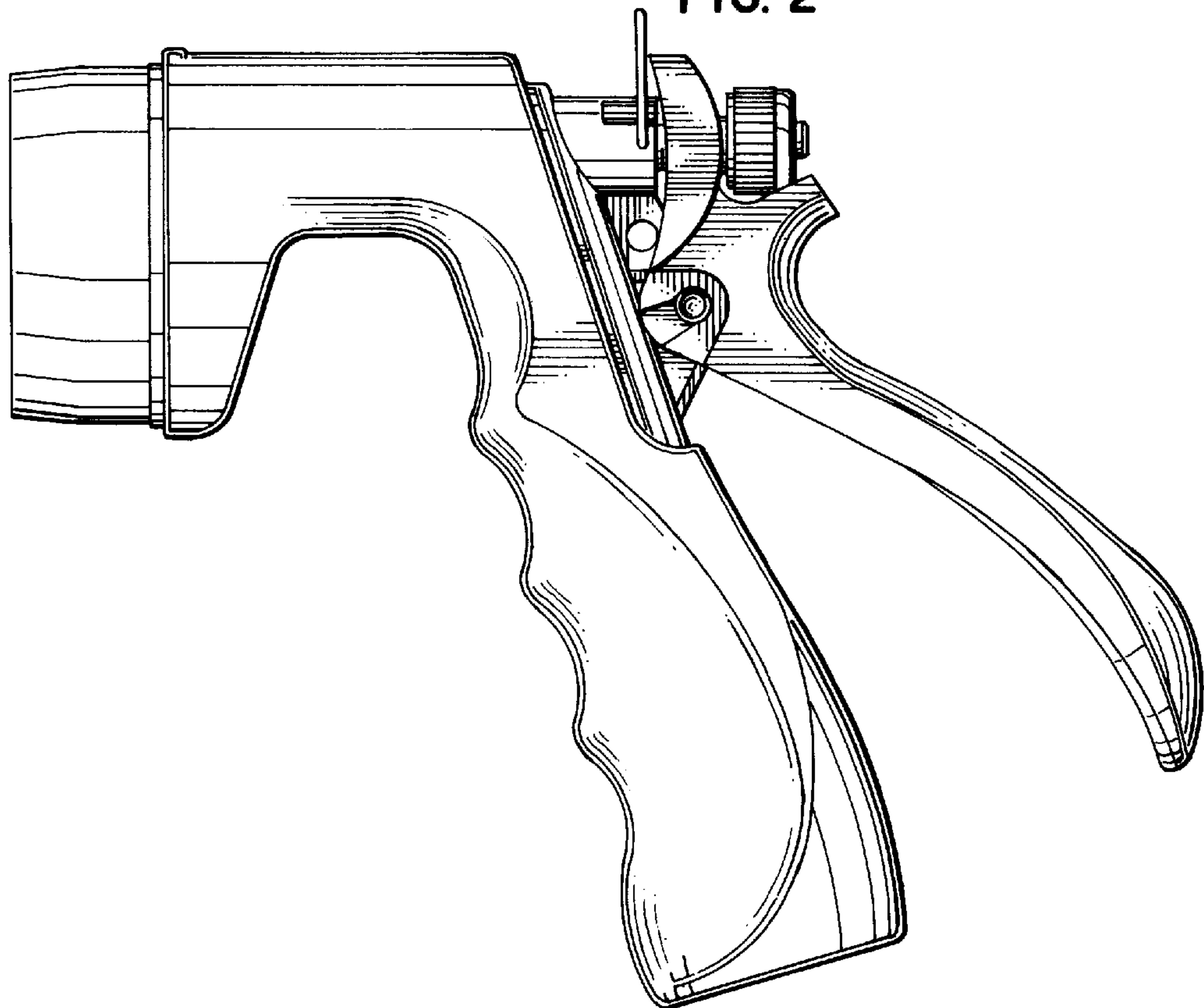


FIG. 3

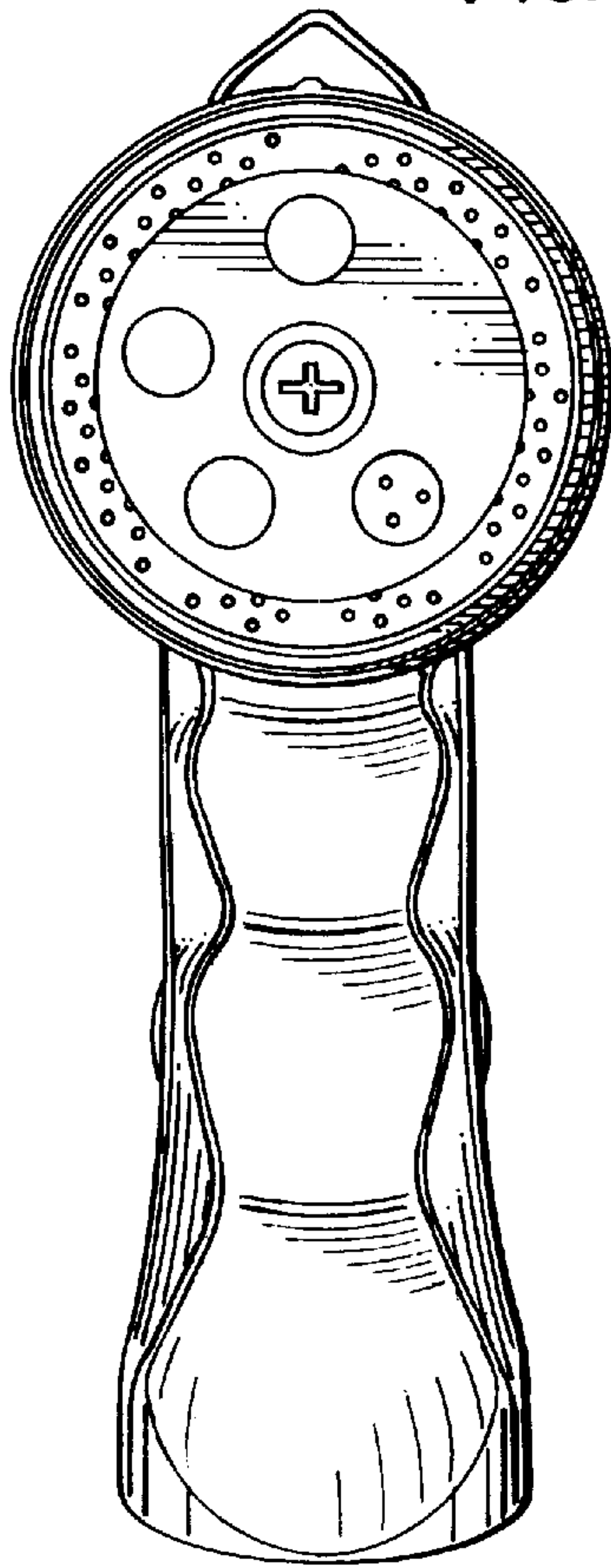


FIG. 4

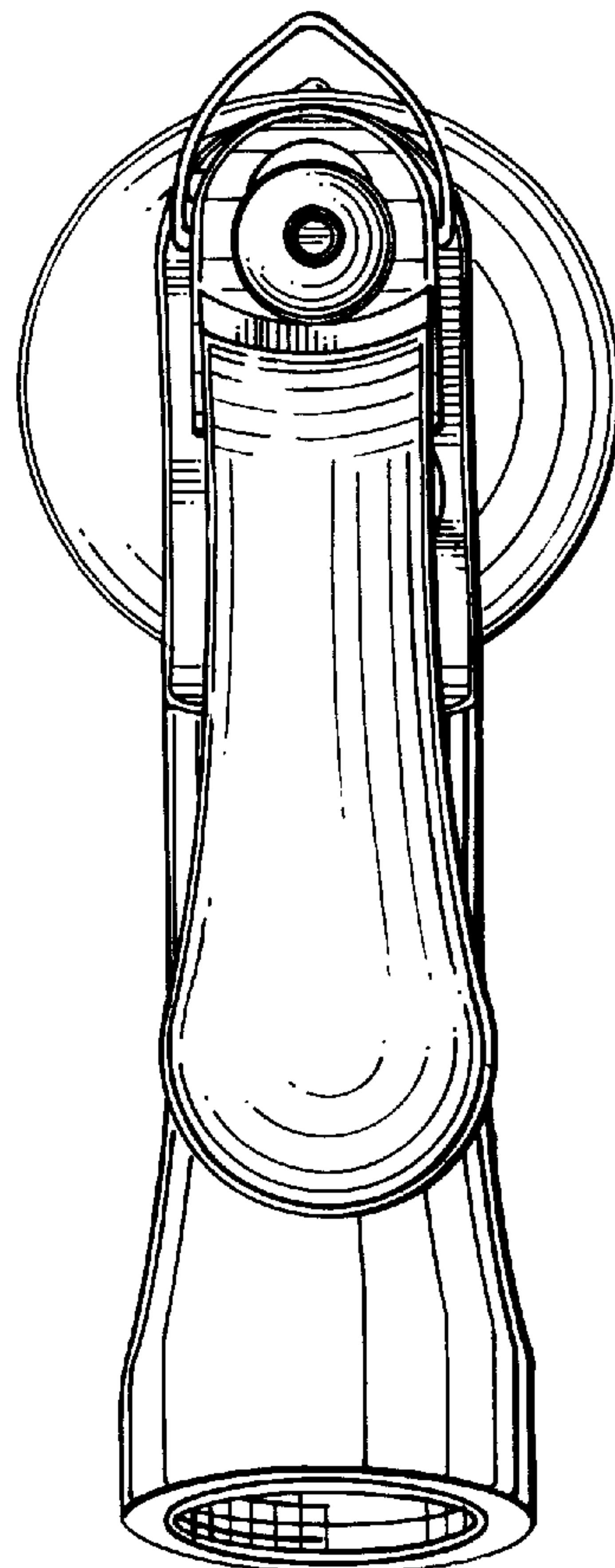


FIG. 5

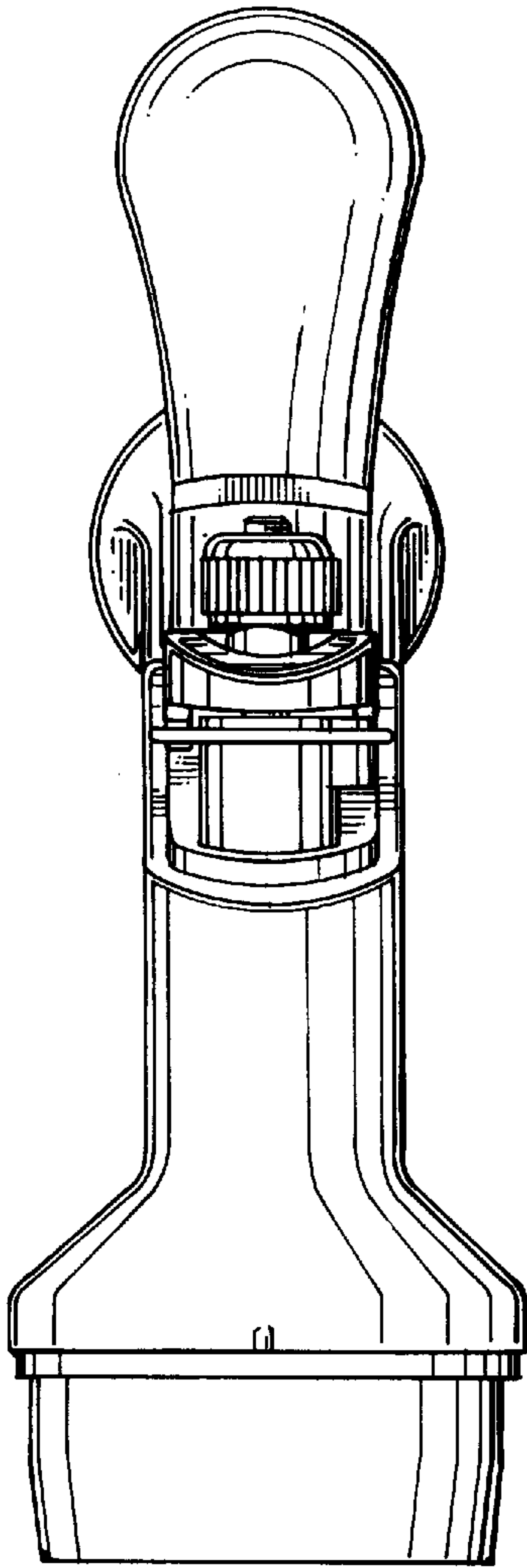


FIG. 6

