



US00D404793S

United States Patent [19] Oh

[11] **Patent Number: Des. 404,793**

[45] **Date of Patent: **Jan. 26, 1999**

[54] **FISHING REEL**

[75] **Inventor: Cheol Suk Oh, Seoul, Rep. of Korea**

[73] **Assignee: Shin A Sports Co., Ltd., Incheon, Rep. of Korea**

[**] **Term: 14 Years**

[21] **Appl. No.: 79,061**

[22] **Filed: Nov. 7, 1997**

[30] Foreign Application Priority Data

Jun. 30, 1997 [KR] Rep. of Korea 1997 13398

[51] **LOC (6) Cl. 22-05**

[52] **U.S. Cl. D22/141**

[58] **Field of Search D22/140, 141;
232/223, 224, 230-233, 245-246**

[56] References Cited

U.S. PATENT DOCUMENTS

D. 309,650 7/1990 Kameda et al. D22/141

D. 326,499 5/1992 Nouma D22/141
D. 331,958 12/1992 Robbins D22/141
D. 369,643 5/1996 Moriya et al. D22/141

Primary Examiner—Doris V. Coles
Attorney, Agent, or Firm—Peter F. Corless; Dike, Bronstein, Roberts & Cushman, LLP

[57] CLAIM

The ornamental design for a fishing reel, as shown and described.

DESCRIPTION

FIG. 1 is a front top right side perspective view of a fishing reel showing my new design;
FIG. 2 is a front elevational view thereof;
FIG. 3 is a rear elevational view thereof;
FIG. 4 is a top plan view thereof;
FIG. 5 is a bottom plan view thereof;
FIG. 6 is a right side elevational view thereof; and,
FIG. 7 is a left side elevational view thereof.

1 Claim, 4 Drawing Sheets

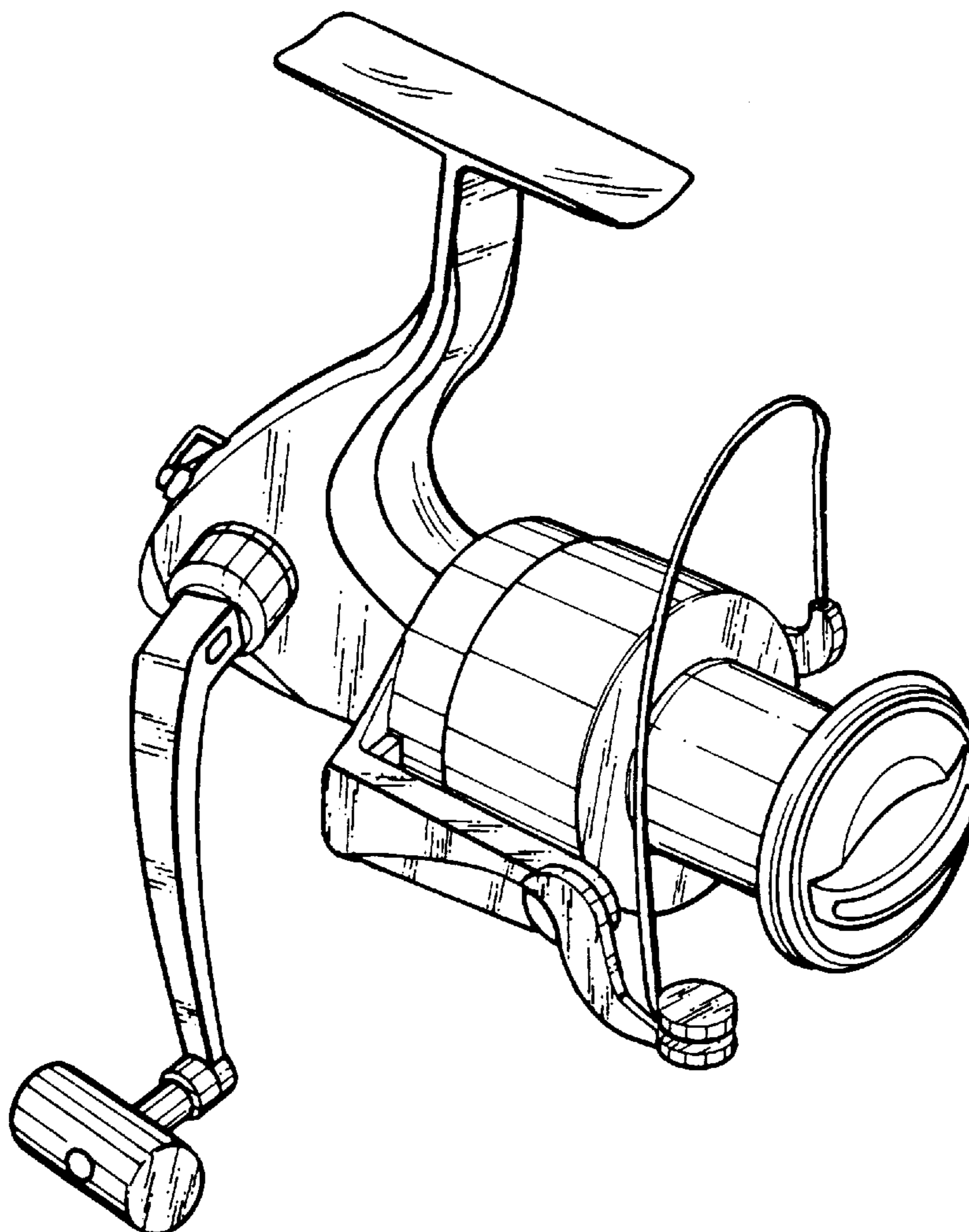


FIG. 1

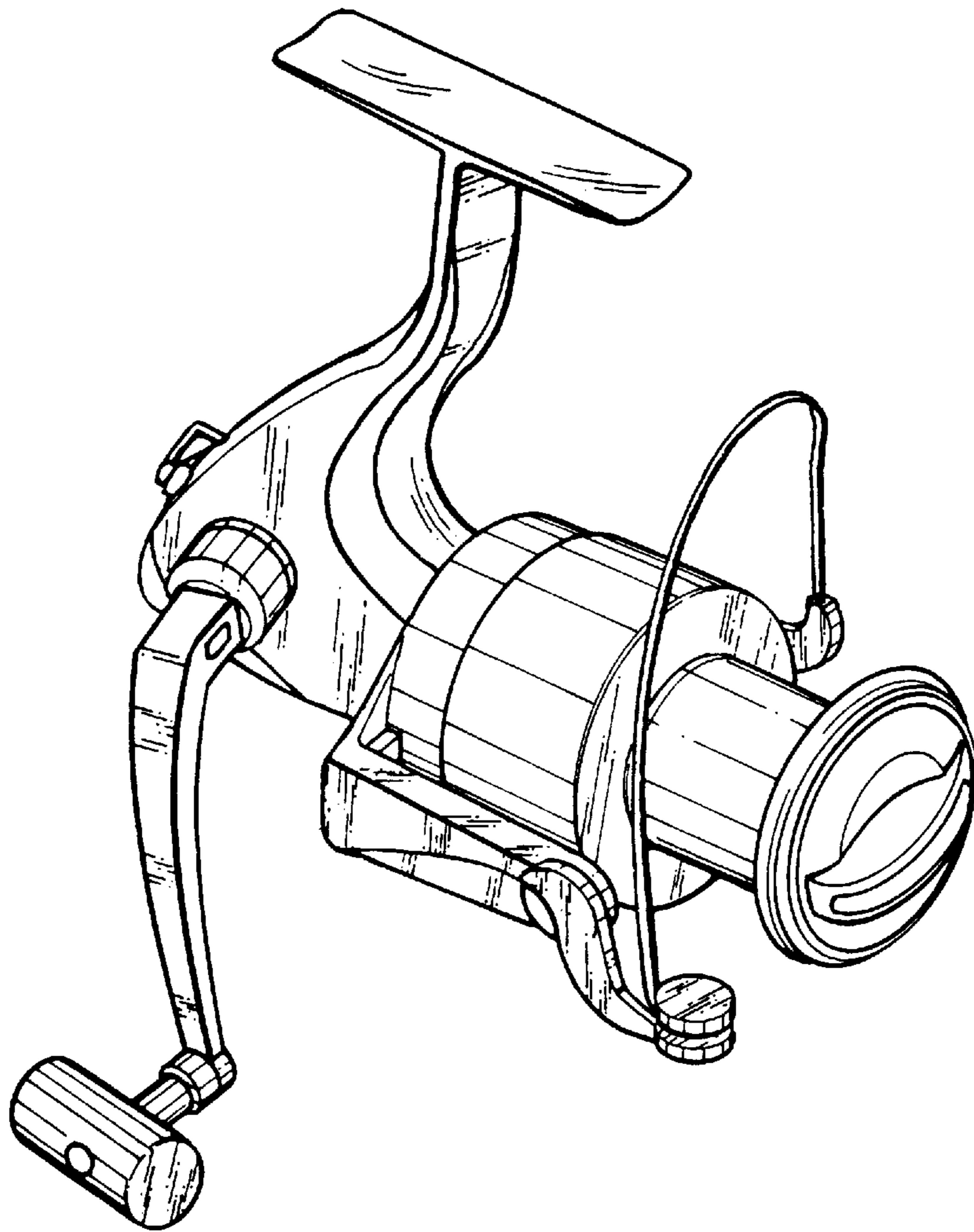


FIG. 2

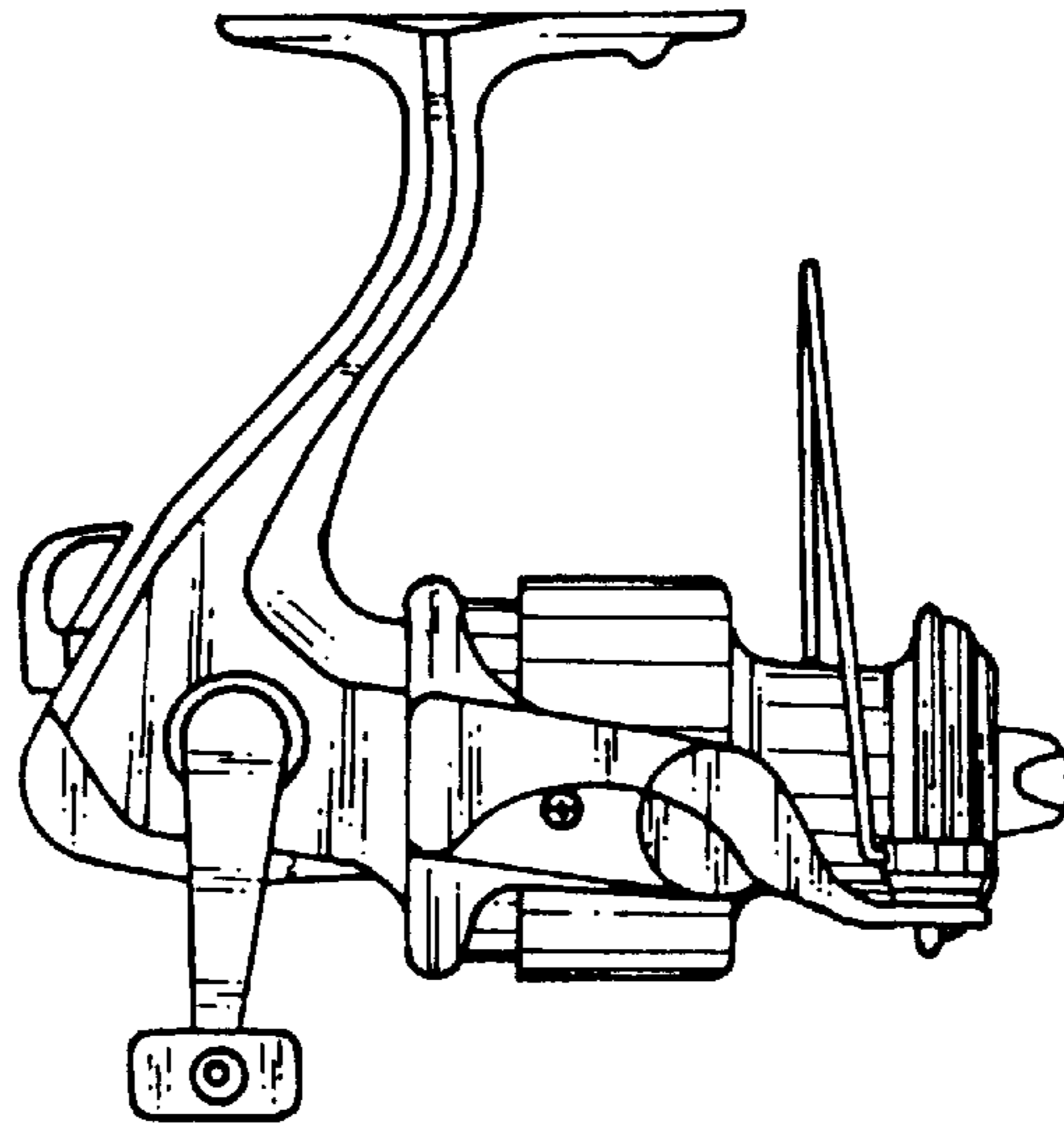


FIG. 3

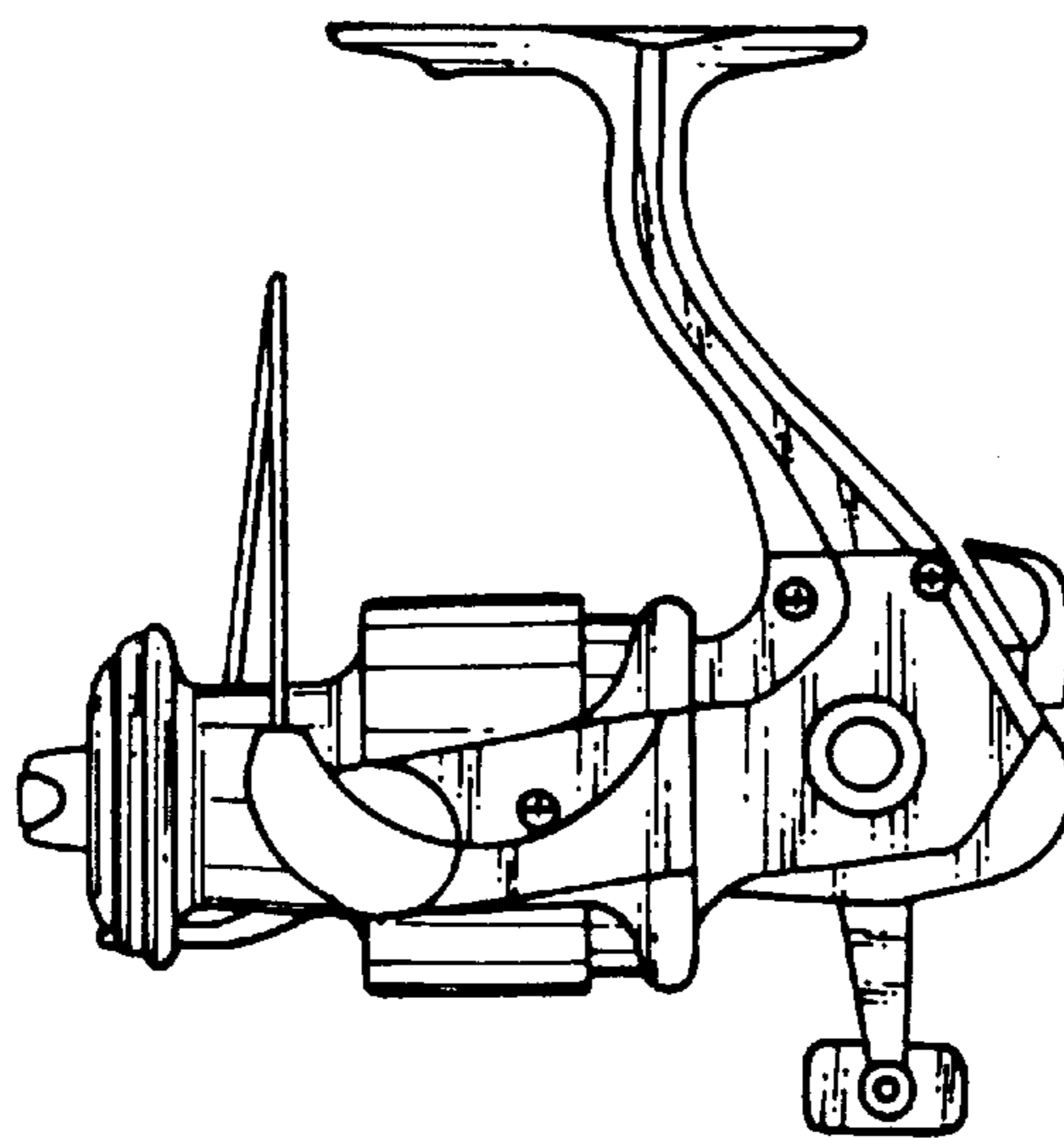


FIG. 4

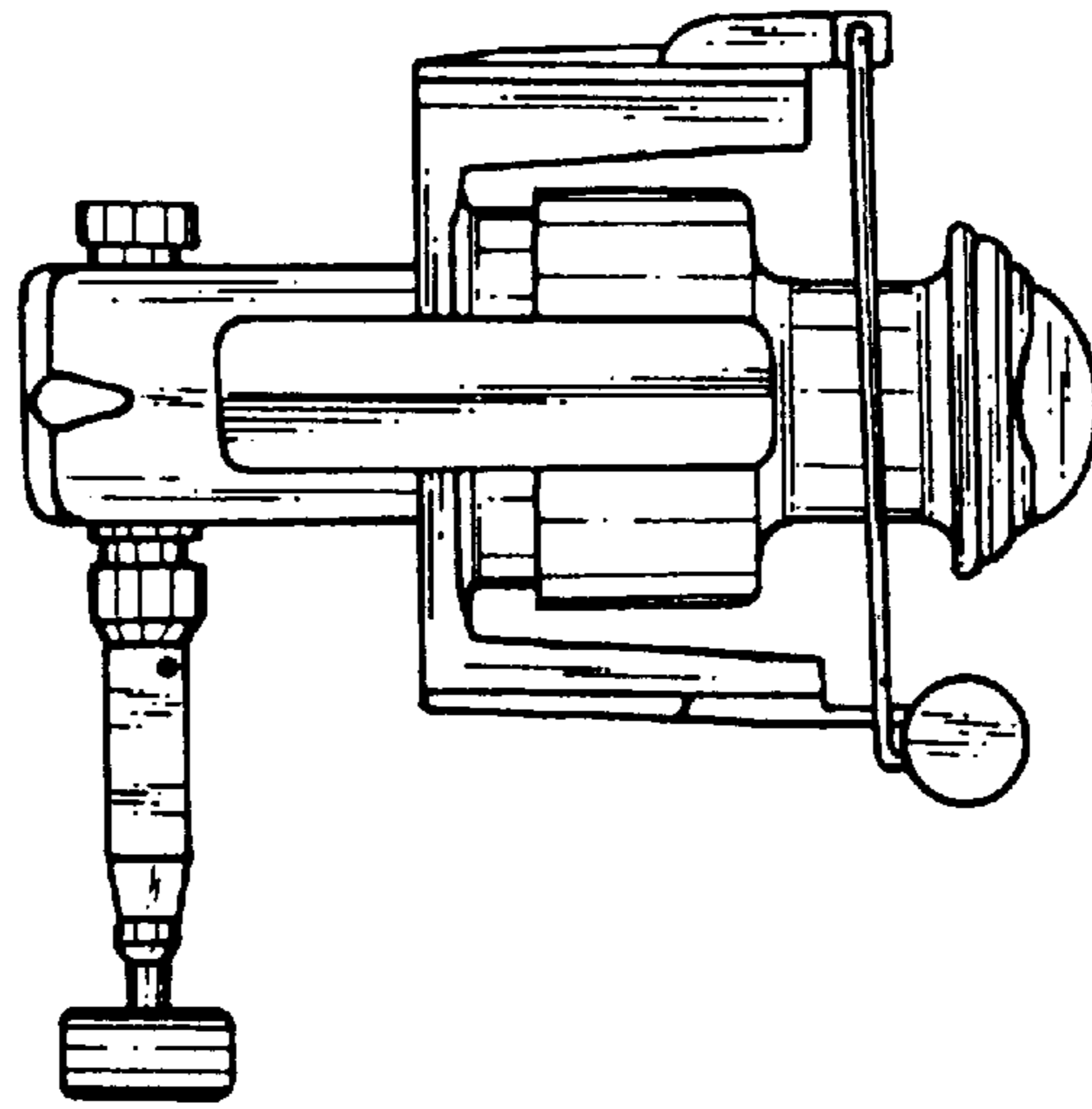


FIG. 5

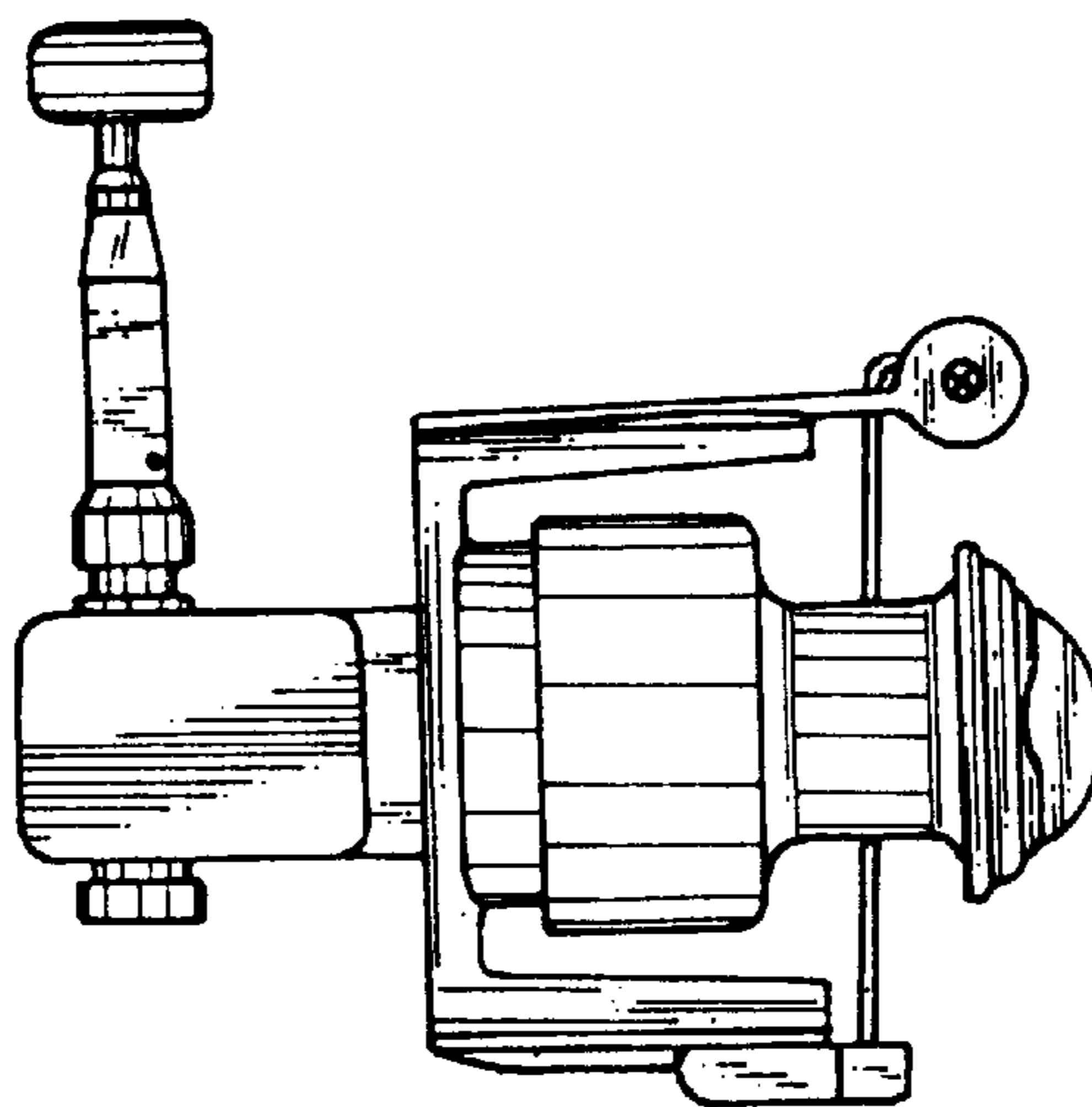


FIG. 6

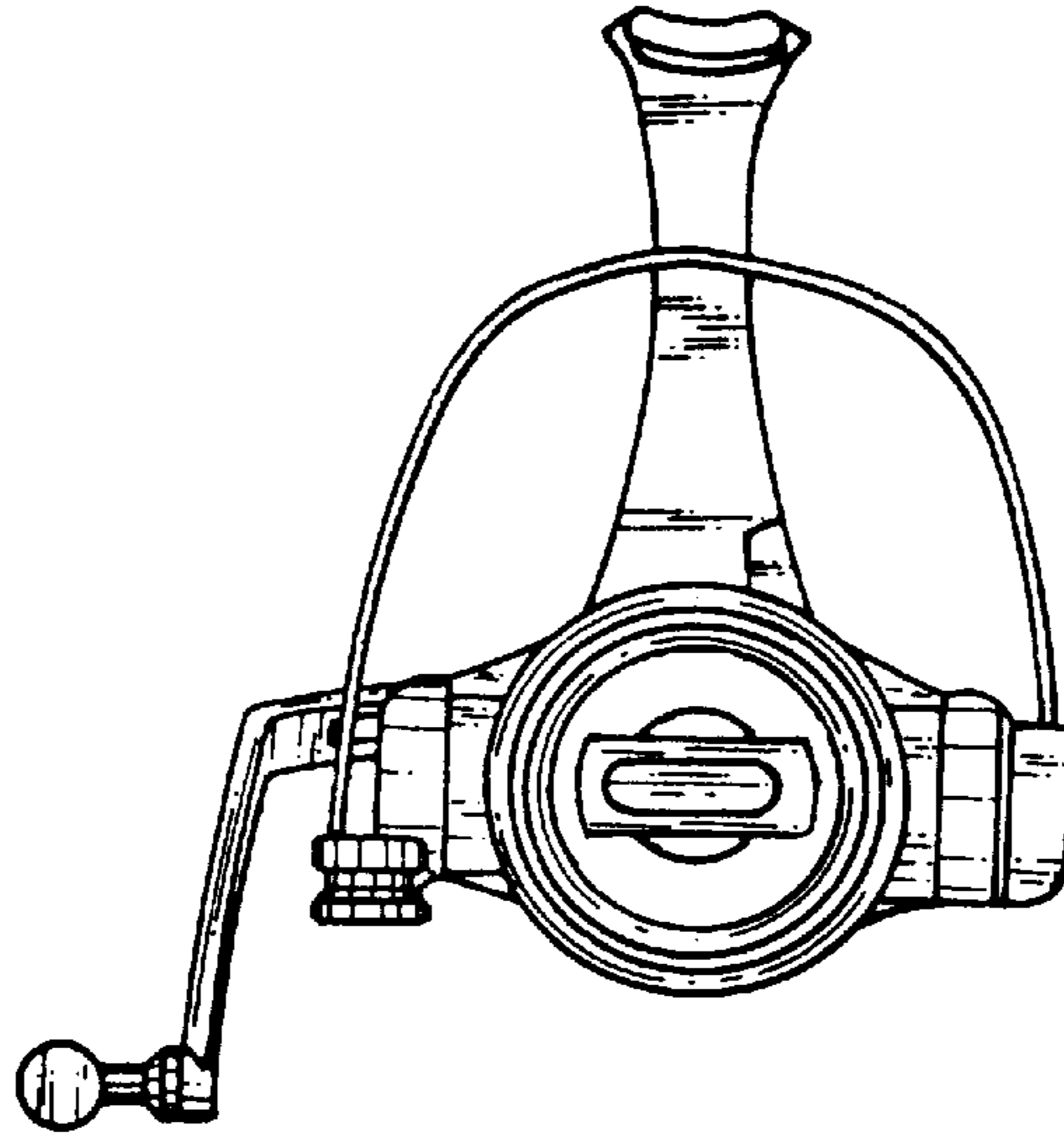


FIG. 7

