



US00D404792S

# United States Patent [19] Oh

[11] **Patent Number: Des. 404,792**

[45] **Date of Patent: \*\*Jan. 26, 1999**

[54] **FISHING REEL**

[75] **Inventor: Cheol Suk Oh, Seoul, Rep. of Korea**

[73] **Assignee: Shin A Sports Co., Ltd., Incheon, Rep. of Korea**

[\*\*] **Term: 14 Years**

[21] **Appl. No.: 79,103**

[22] **Filed: Nov. 7, 1997**

[51] **LOC (6) Cl. .... 22-05**

[52] **U.S. Cl. .... D22/140**

[58] **Field of Search .... D22/140, 141;  
242/273, 283, 236, 320, 279, 268; 43/17**

[56] **References Cited**

**U.S. PATENT DOCUMENTS**

D. 154,308	6/1949	Pies	.....	D22/140
D. 259,359	5/1981	Myojo	.....	D22/140
D. 273,218	3/1984	Atobe et al.	.....	D22/140
D. 332,992	2/1993	Mintz	.....	D22/140
D. 348,919	7/1994	Sato et al.	.....	D22/140
D. 352,989	11/1994	Park	.....	D22/140
1,448,947	3/1923	Smith	.....	242/279

2,263,836	11/1941	Balz et al.	.....	242/279
2,484,546	10/1949	Berlinger	.....	242/279
2,673,043	3/1954	Verbeke	.....	242/279
2,754,070	7/1956	Schrall	.....	242/295
2,884,211	4/1959	Holahan, Jr.	.....	D22/140
5,267,707	12/1993	Oliva	.....	242/268

*Primary Examiner*—Doris V. Coles  
*Attorney, Agent, or Firm*—Peter F. Corless; Dike, Bronstein, Roberts & Cushman, LLP

[57] **CLAIM**

The ornamental design for a fishing reel, as shown and described.

**DESCRIPTION**

FIG. 1 is a front top and right side perspective view of a fishing reel showing my new design;  
FIG. 2 is a right side elevational view thereof;  
FIG. 3 is a left side elevational view thereof;  
FIG. 4 is a top plan view thereof;  
FIG. 5 is a bottom plan view thereof;  
FIG. 6 is a front elevational view thereof; and,  
FIG. 7 is a rear elevational view thereof.

**1 Claim, 4 Drawing Sheets**

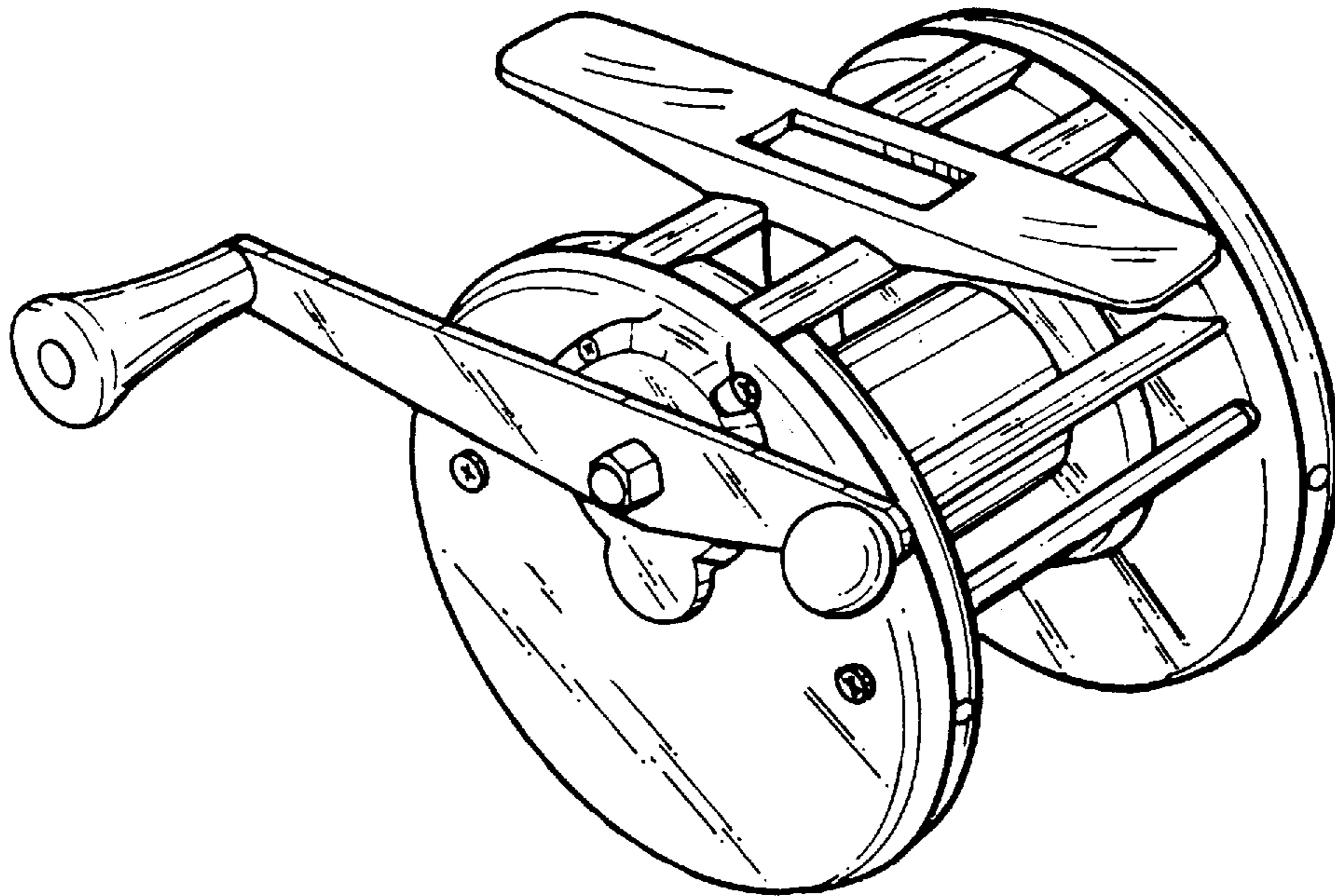
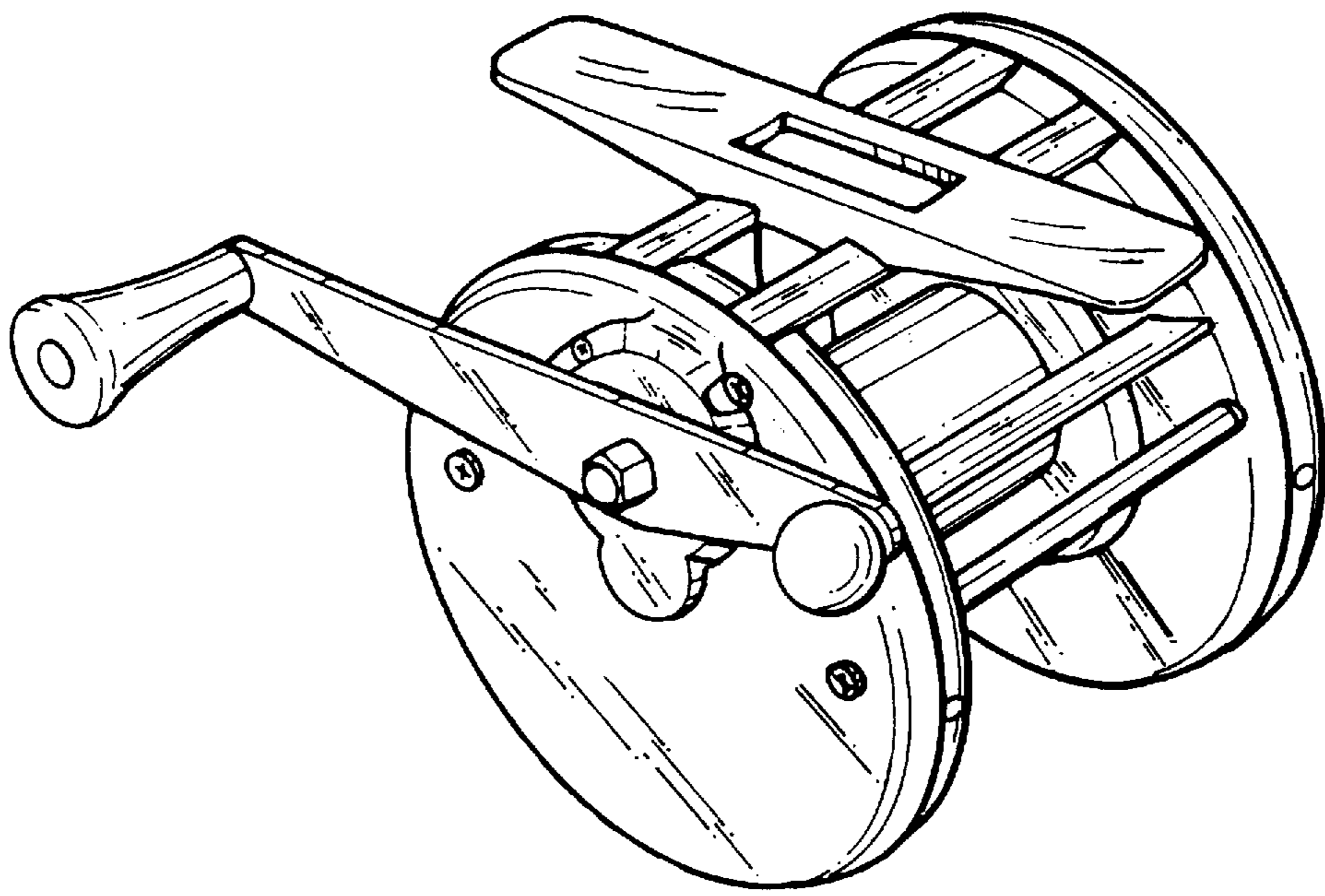
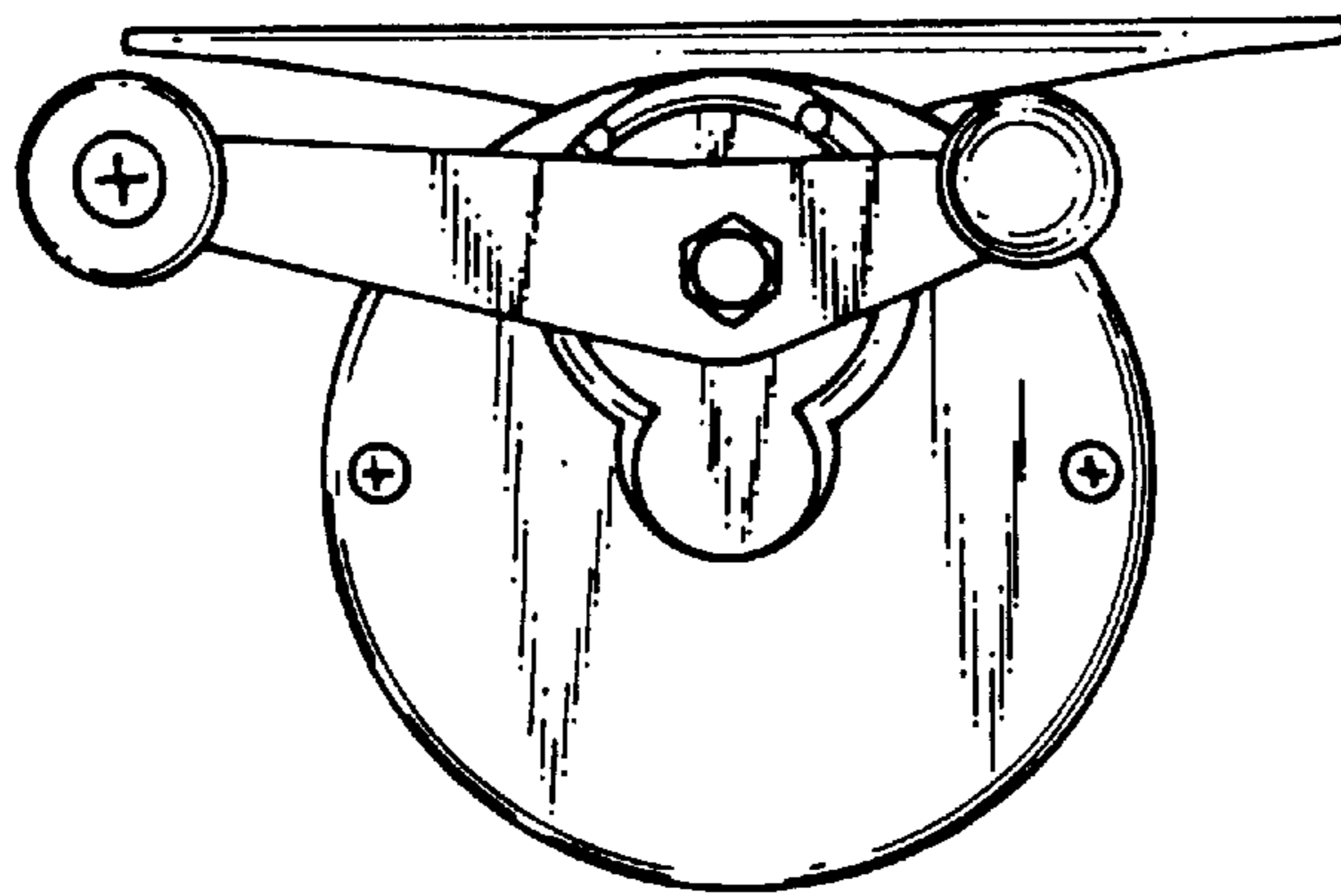


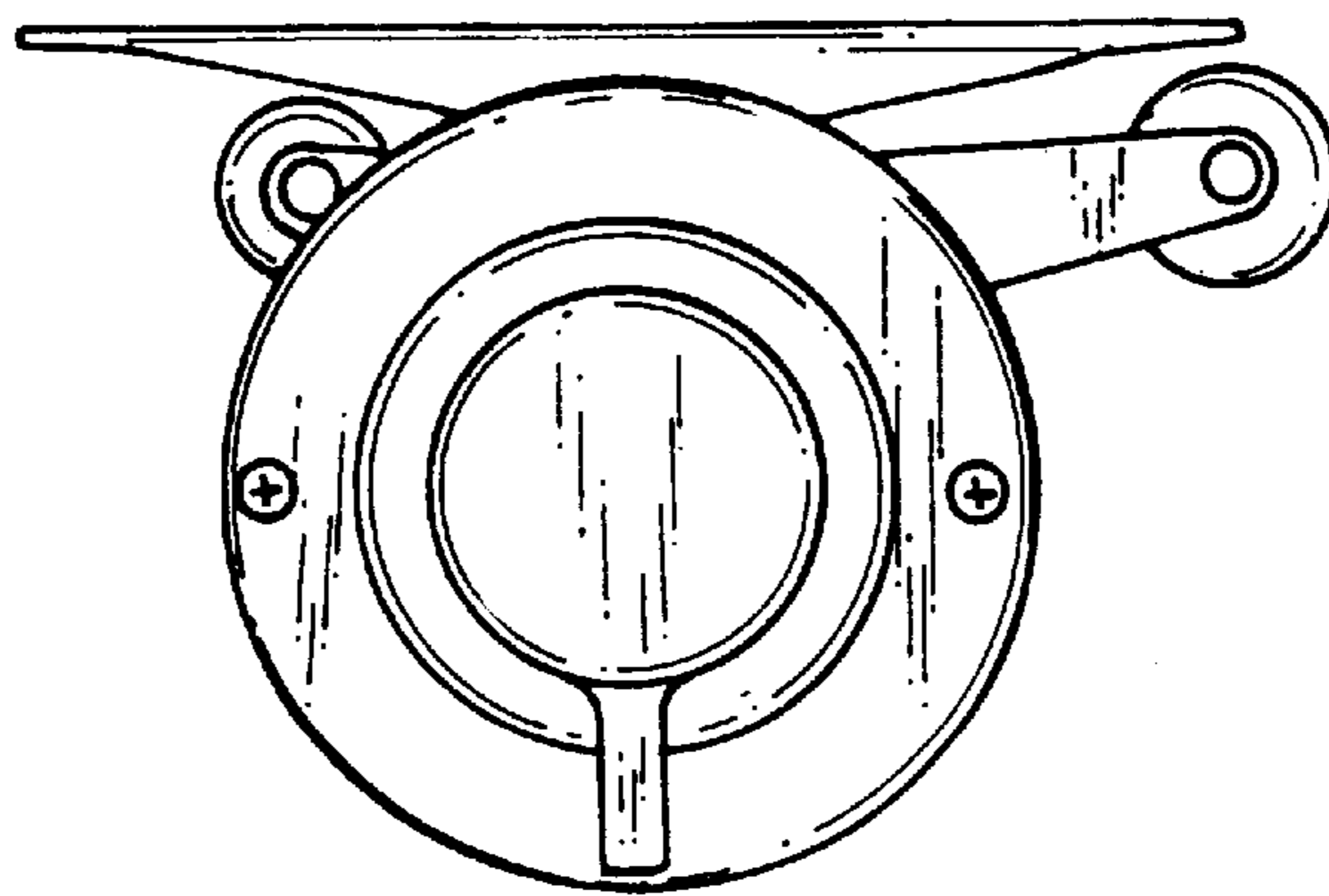
FIG. 1



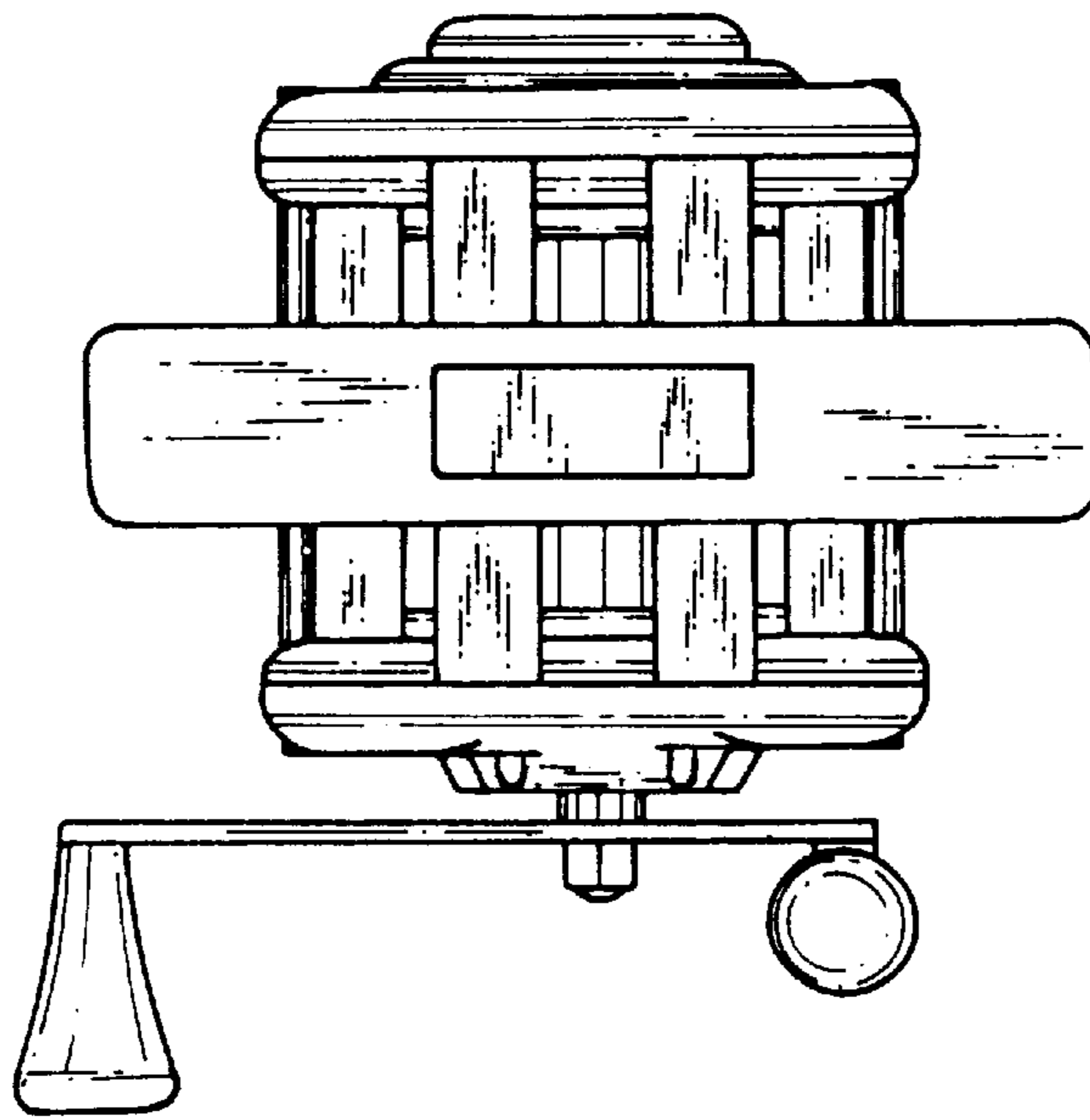
**FIG. 2**



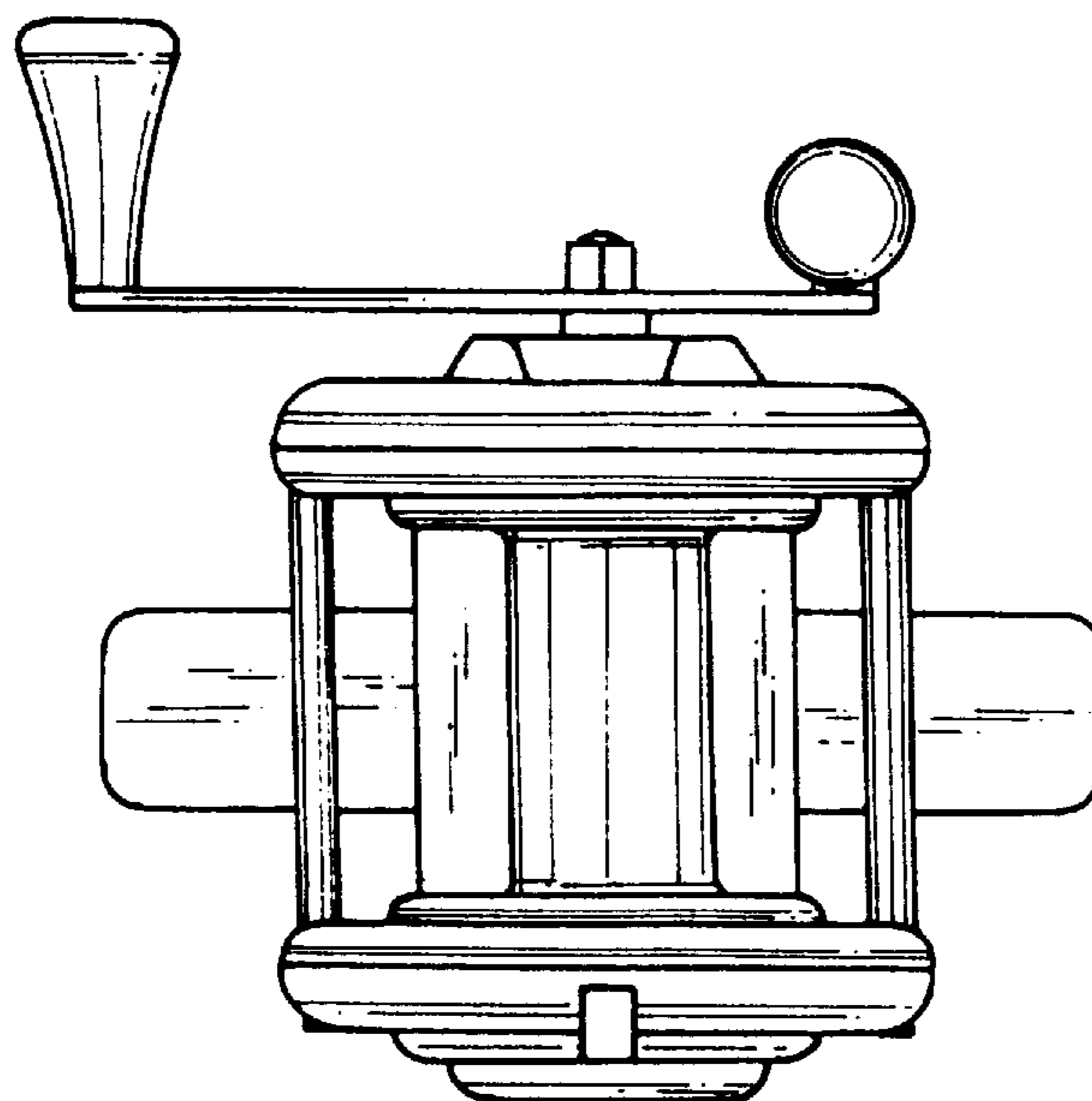
**FIG. 3**



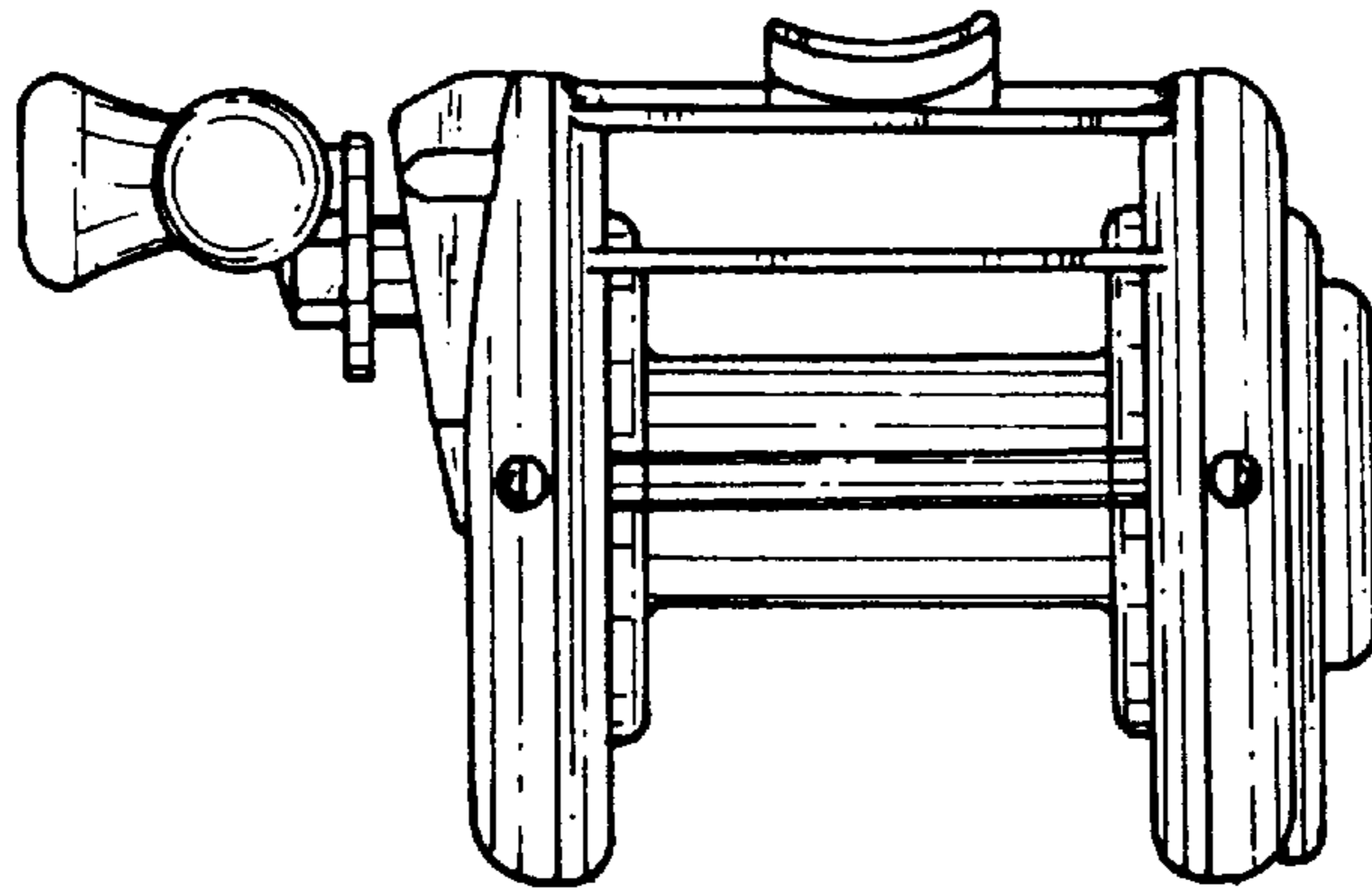
**FIG. 4**



**FIG. 5**



**FIG. 6**



**FIG. 7**

