



US00D404790S

United States Patent [19]

Benedetto

[11] **Patent Number: Des. 404,790**

[45] **Date of Patent: **Jan. 26, 1999**

[54] **CLEAR FRONT RODENT POISON CONTAINER**

[76] Inventor: **Angelo R Benedetto**, R.R. 2 Box 784, Dingmans Ferry, Pa. 18328

[**] Term: **14 Years**

[21] Appl. No.: **59,453**

[22] Filed: **Sep. 11, 1996**

[51] **LOC (6) Cl.** **22-06**

[52] **U.S. Cl.** **D22/119**

[58] **Field of Search** D22/119, 121; 43/131, 58, 65, 121, 124; D9/423, 432, 418

[56] **References Cited**

U.S. PATENT DOCUMENTS

170,505	11/1875	Barthel	43/131
554,616	2/1896	Cook	43/121
794,323	7/1905	Small	43/131
1,321,360	11/1919	Bright	43/131

2,962,836	12/1960	Hughes	43/58
2,964,871	12/1960	Hoffman	43/131
3,017,717	1/1962	Caubre	43/131
4,364,194	12/1982	Clark, Sr.	43/131
4,753,032	6/1988	Sherman	43/131
5,673,509	10/1997	Gatewood, Jr.	43/58

Primary Examiner—Doris V. Coles

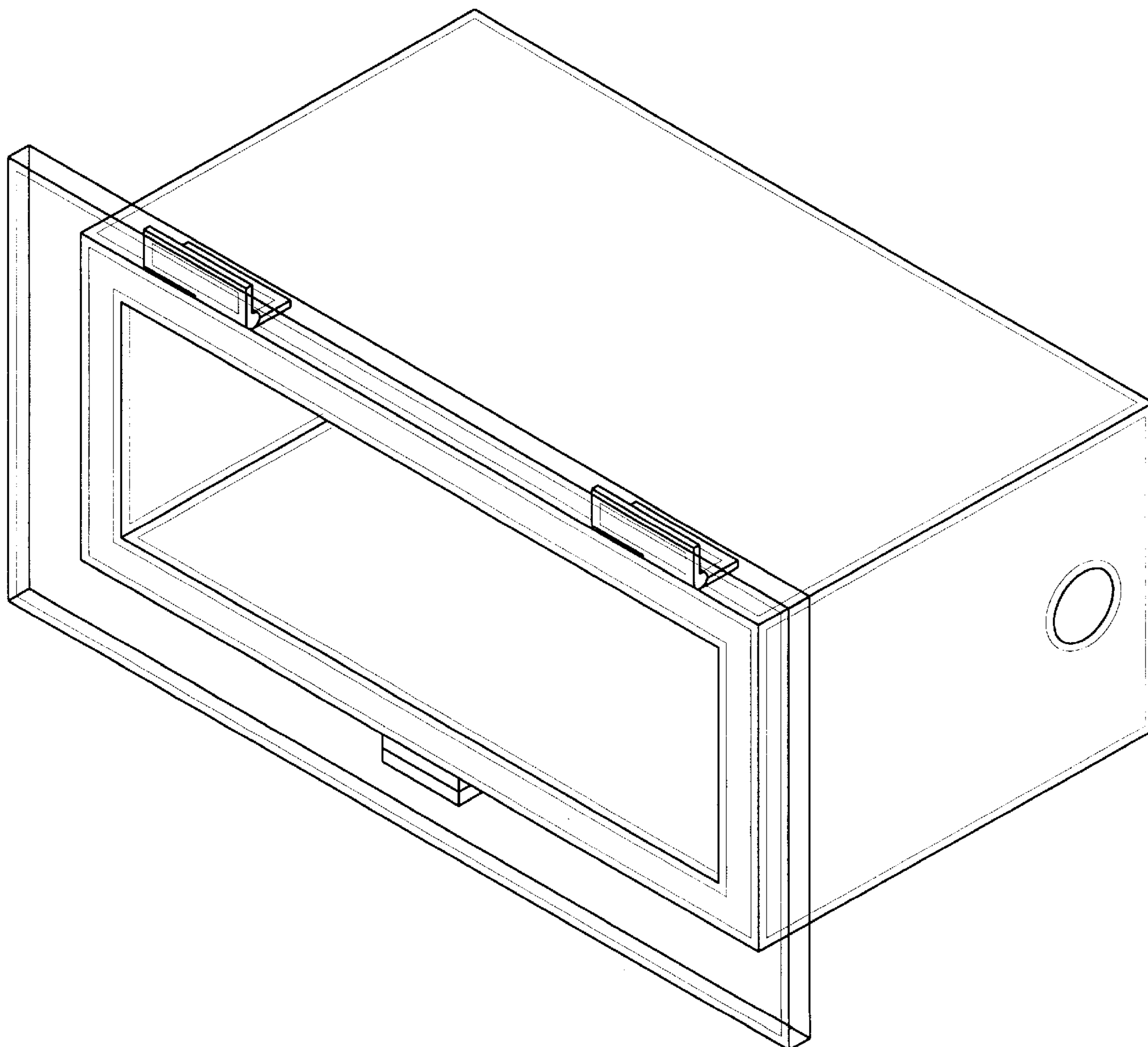
[57] **CLAIM**

The ornamental design for a clear front rodent poison container, as shown.

DESCRIPTION

FIG. 1 is a front elevational view of the clear front rodent poison container of the present invention; FIG. 2 is a rear elevational view thereof; FIG. 3 is a left side elevational view thereof; FIG. 4 is a right side elevational view thereof; FIG. 5 is a top plan view thereof; FIG. 6 is a bottom plan view thereof; and, FIG. 7 is a perspective view thereof.

1 Claim, 4 Drawing Sheets



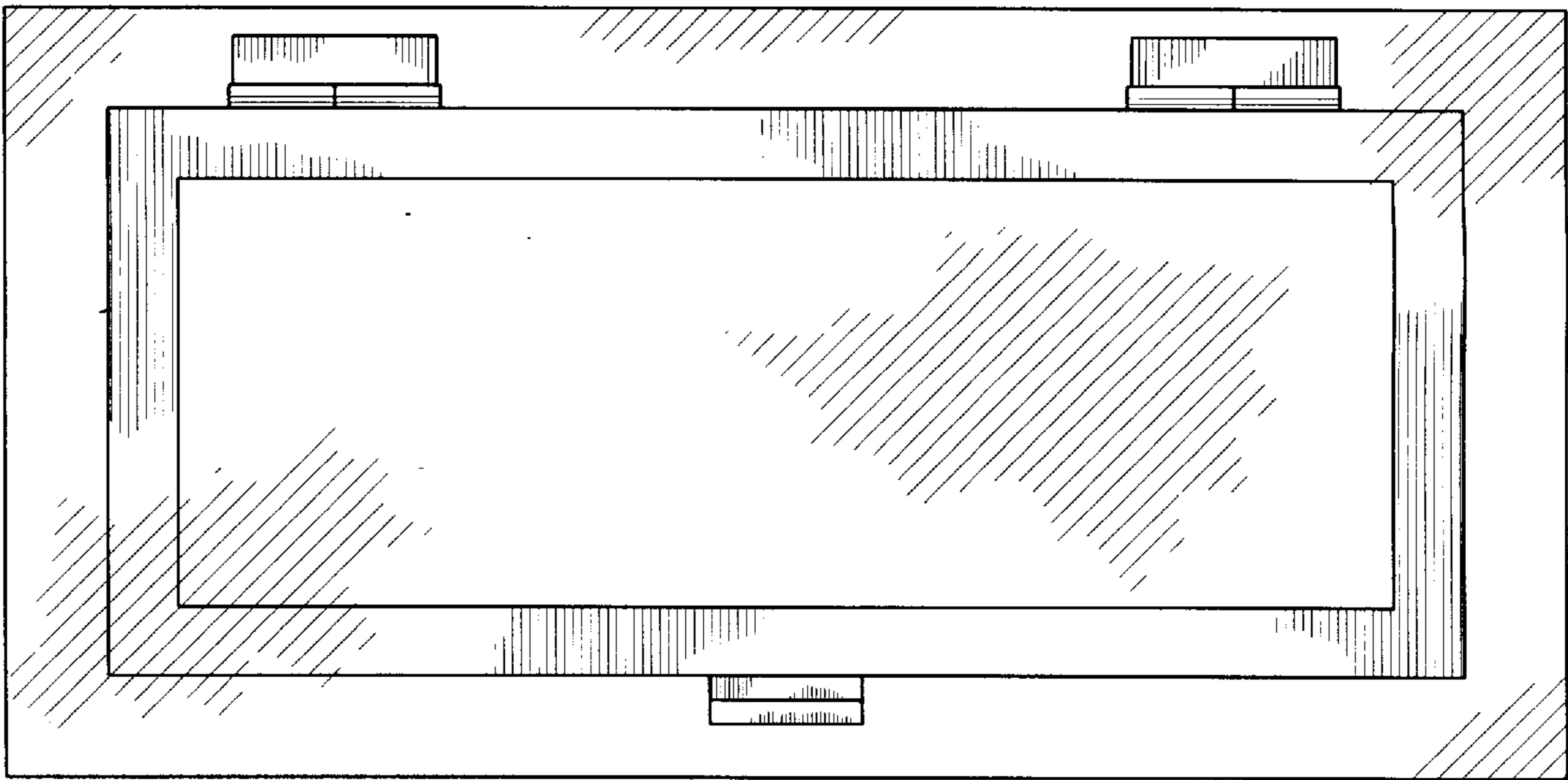


Fig. 1

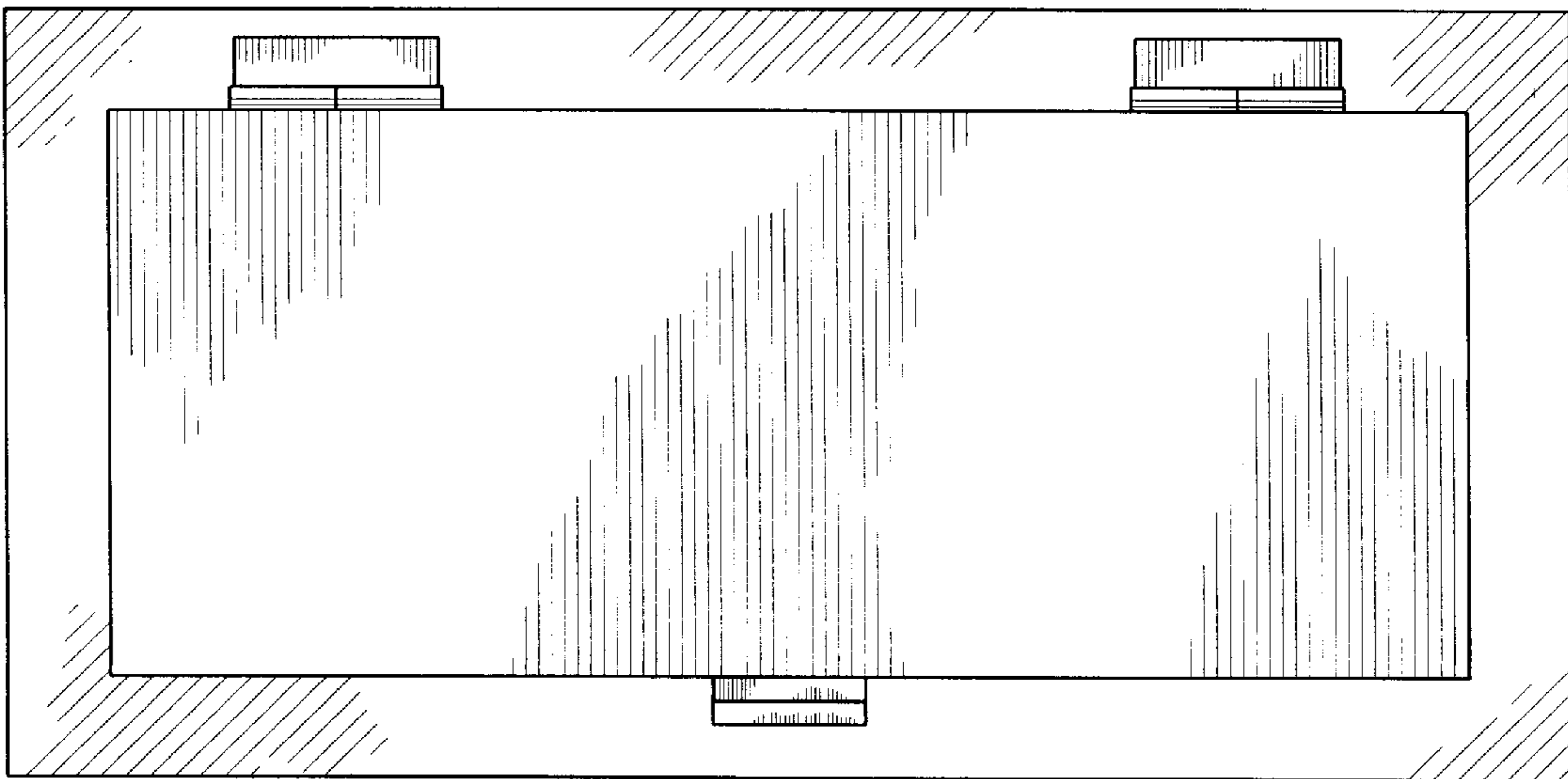


Fig. 2

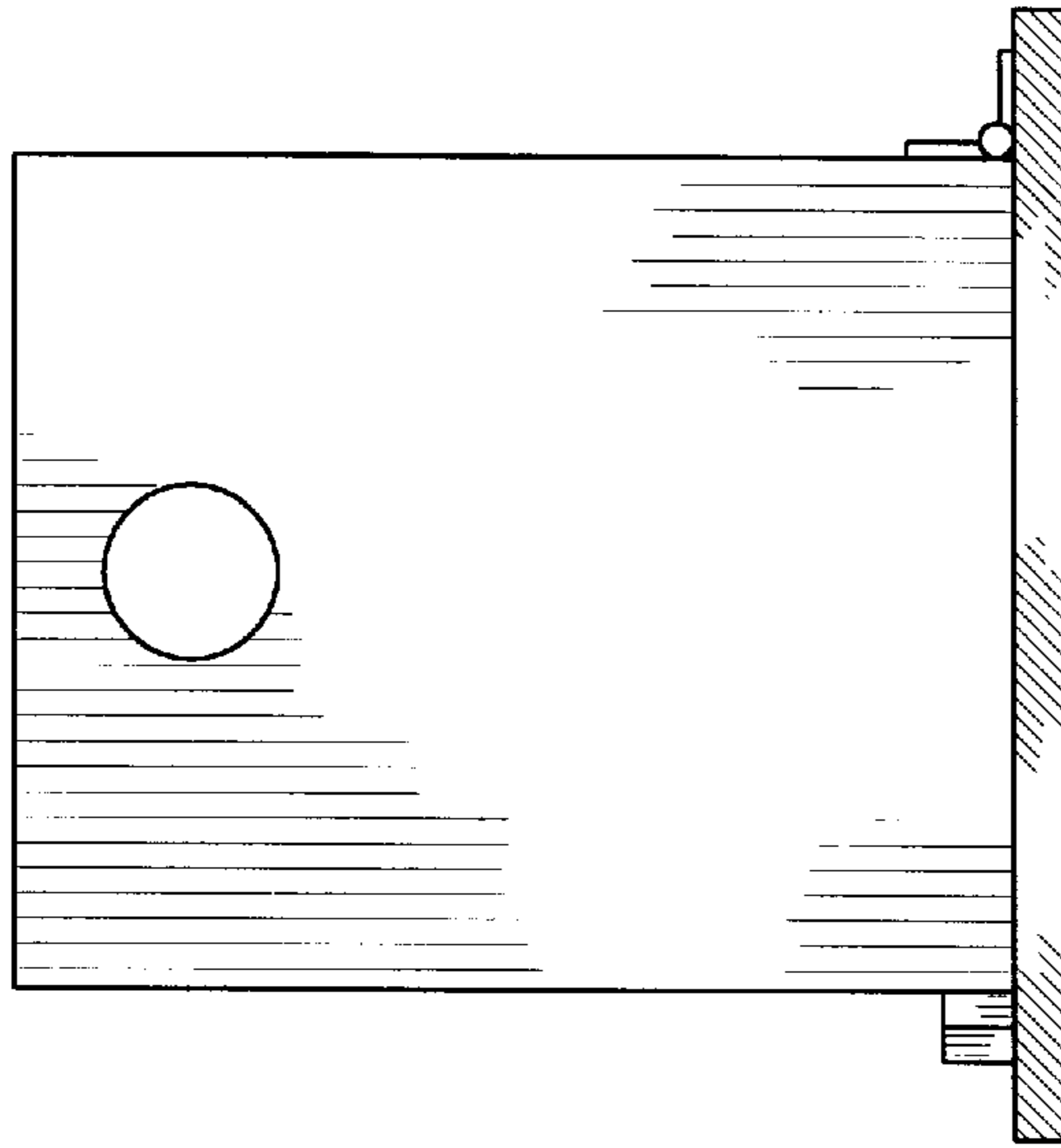


Fig. 3

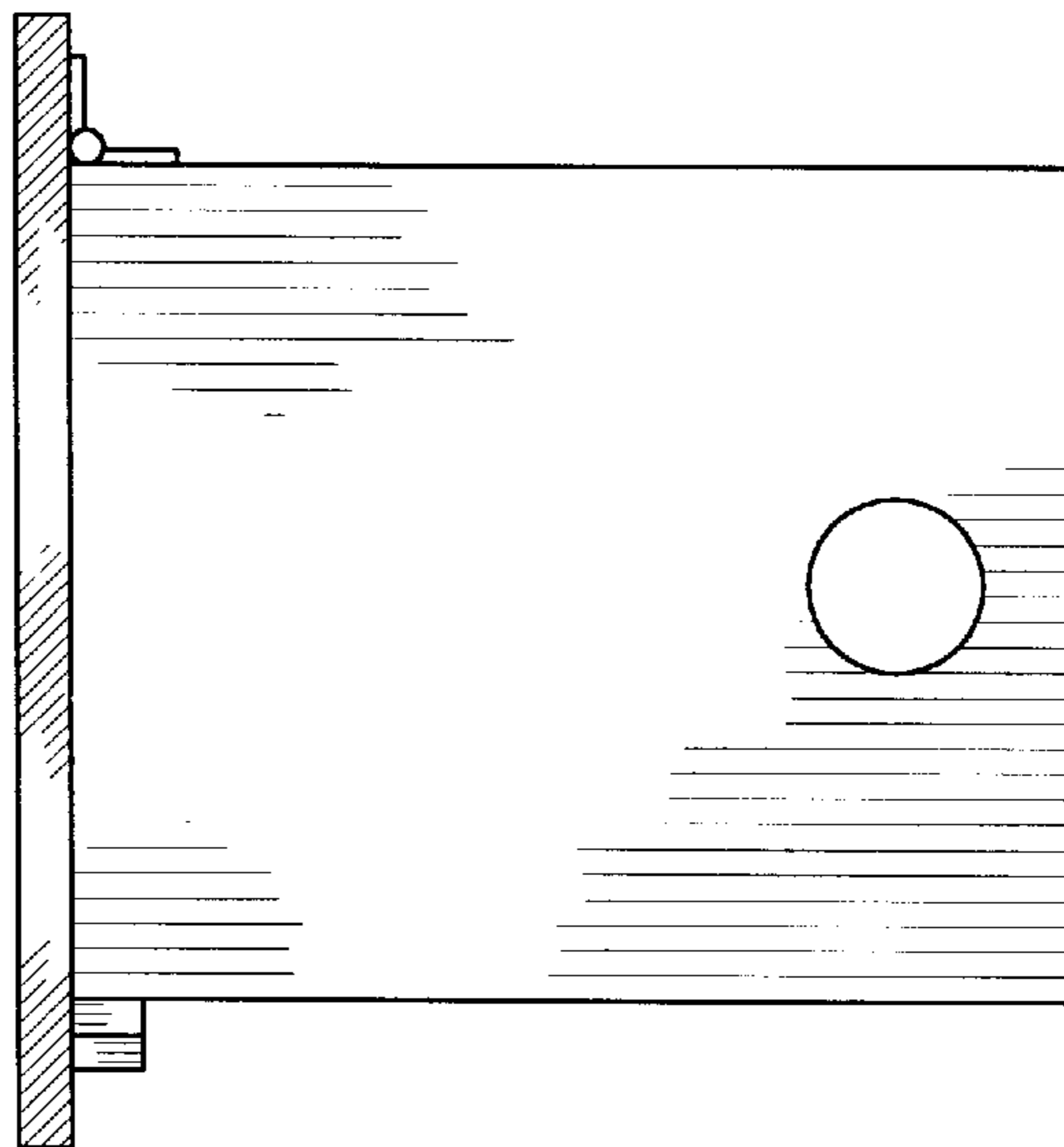


Fig. 4

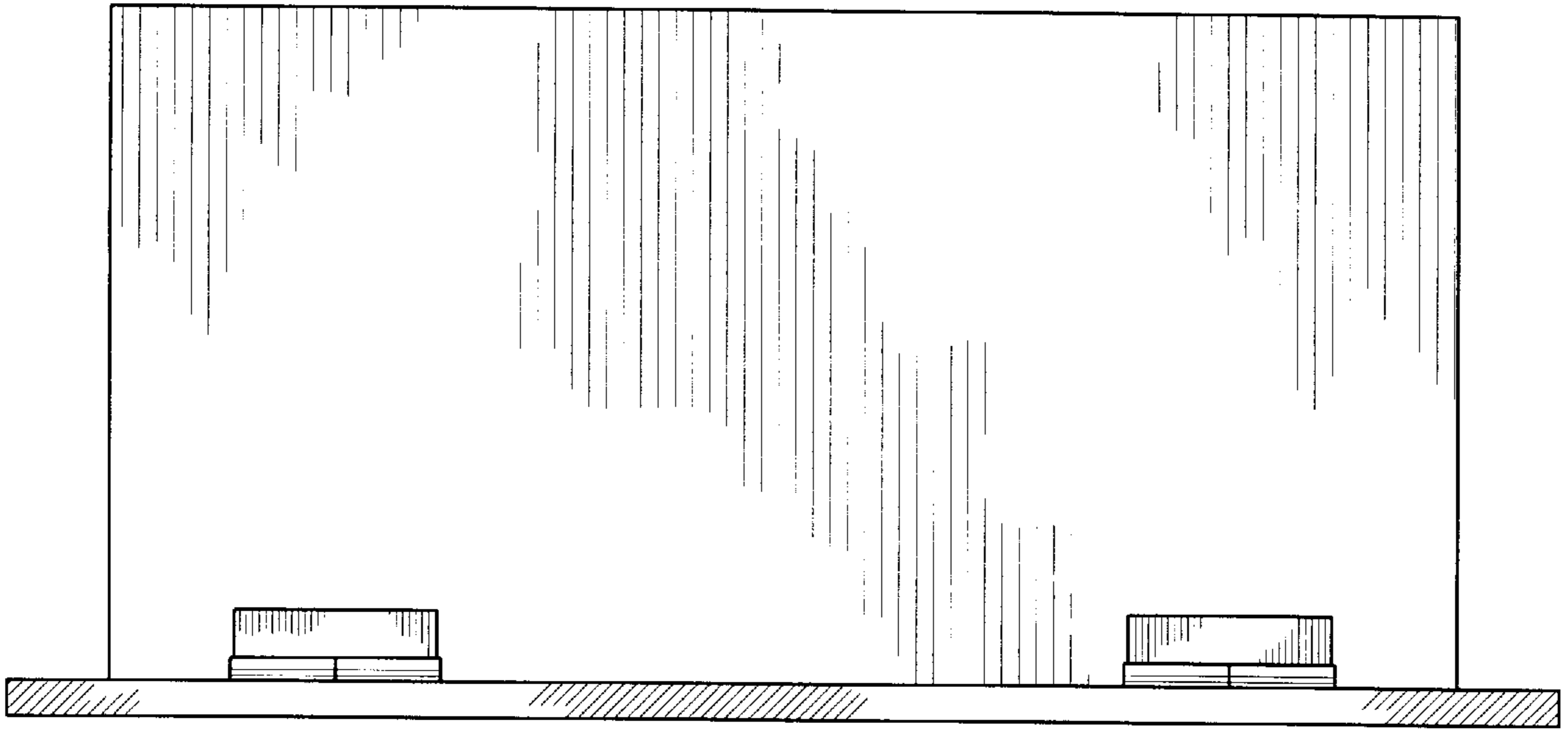


Fig. 5

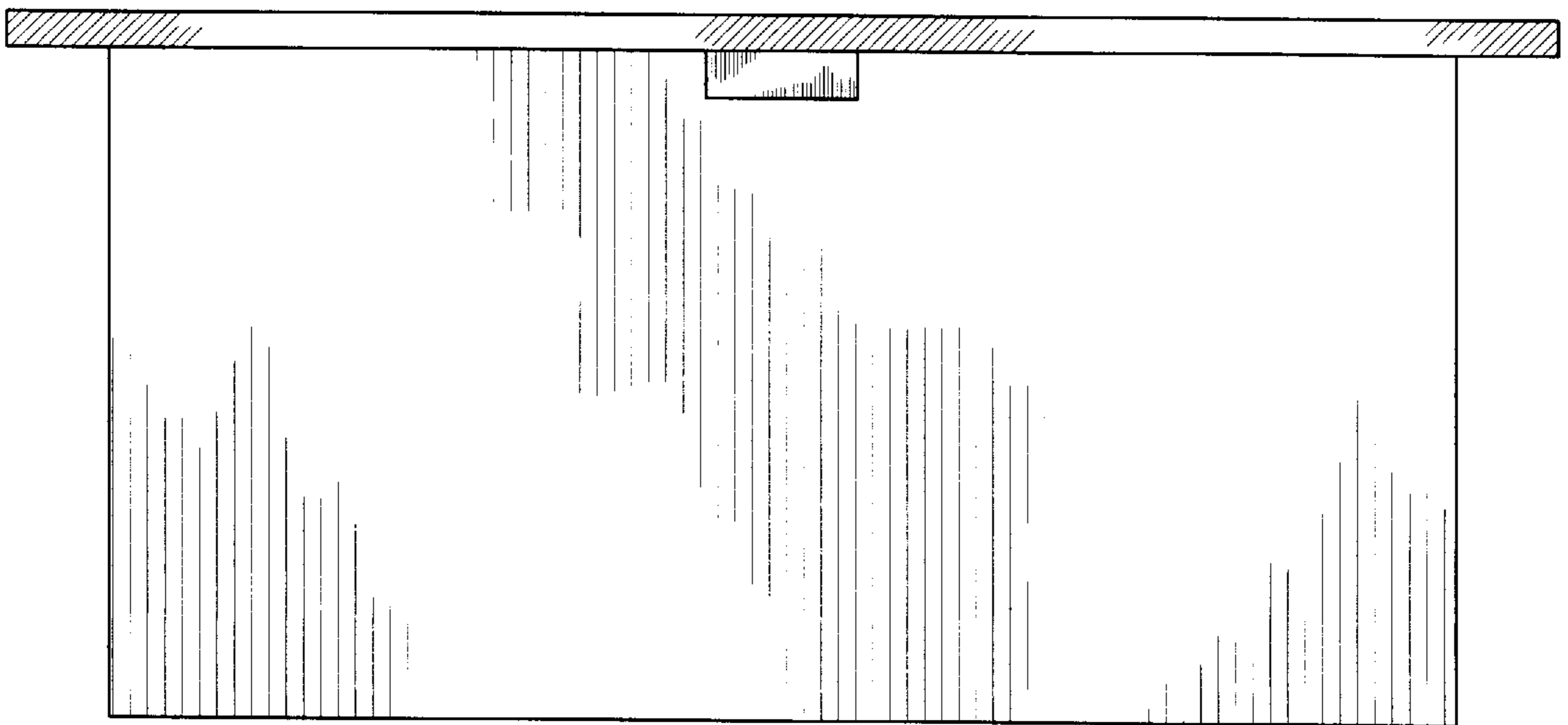


Fig. 6

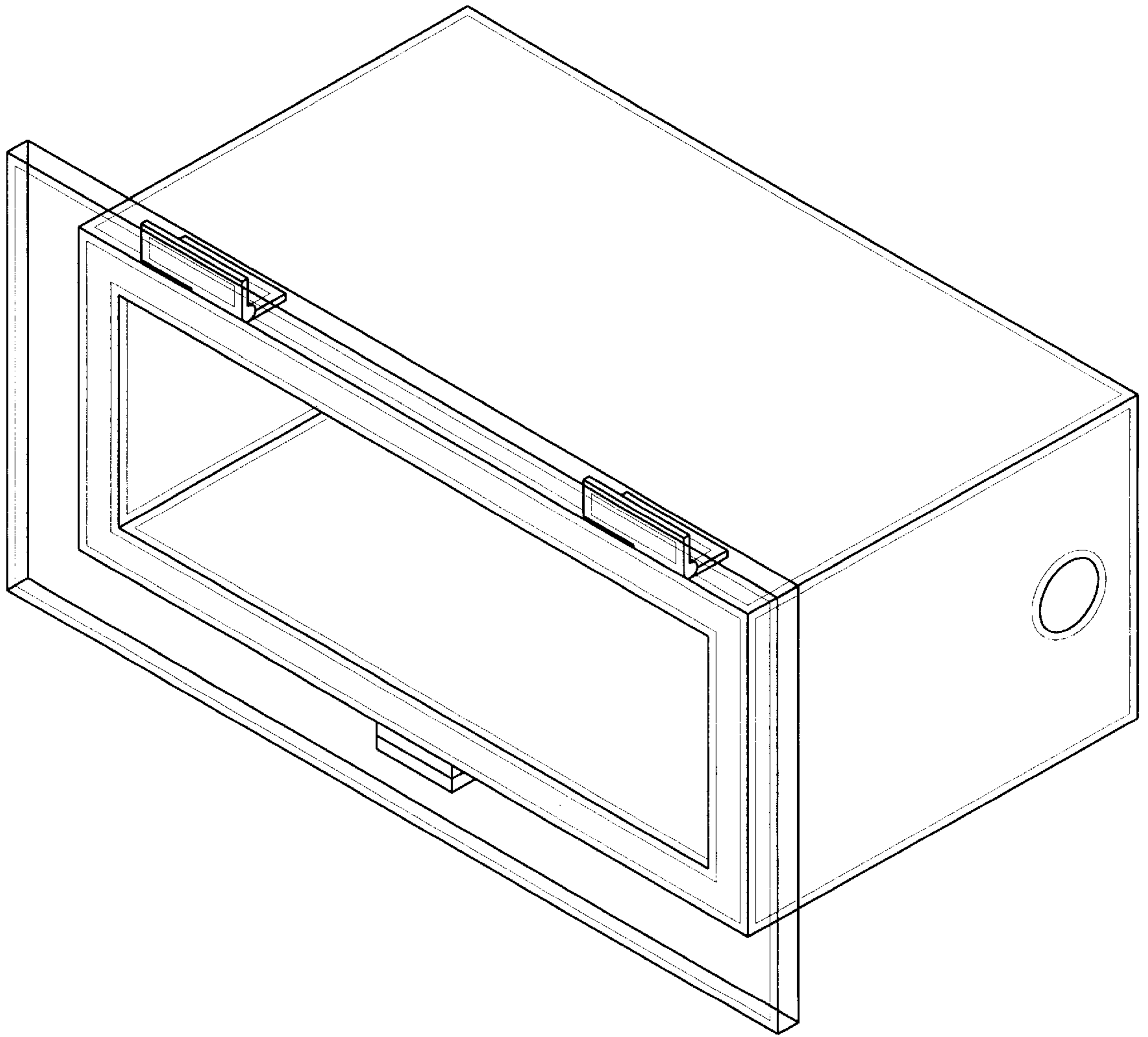


Fig. 7