



US00D404788S

United States Patent [19]
Gangl, Jr.

[11] **Patent Number: Des. 404,788**

[45] **Date of Patent: **Jan. 26, 1999**

[54] **FRONT SIGHT FOR FIREARM**

3,645,636 2/1972 Steck 42/100
4,494,327 1/1985 Cullity 42/100

[76] Inventor: **John P. Gangl, Jr.**, 279 Timberline Trail, St. Paul, Minn. 55127

Primary Examiner—Louis S. Zarfes
Assistant Examiner—Monica A. Weingart
Attorney, Agent, or Firm—Anthony G. Eggink

[**] Term: **14 Years**

[21] Appl. No.: **81,542**

[57] **CLAIM**

[22] Filed: **Jan. 5, 1998**

The ornamental design for a front sight for firearm, as shown and described.

[51] **LOC (6) Cl.** **22-01**

DESCRIPTION

[52] **U.S. Cl.** **D22/109; D22/108**

[58] **Field of Search** D22/100, 108,
D22/109, 199; 42/100, 101, 102; 33/247,
261

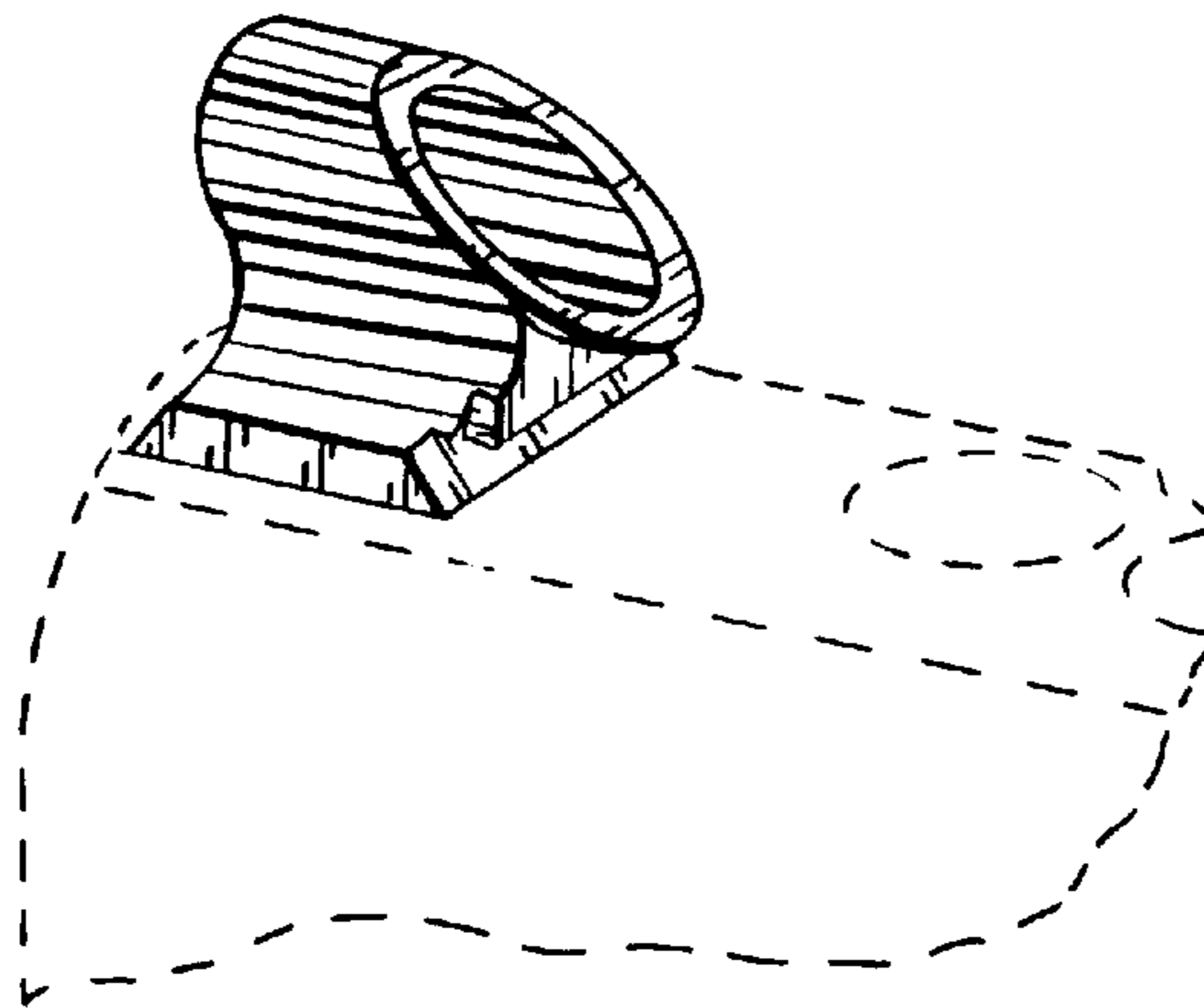
FIG. 1 is a perspective view taken from the top and rear of the front firearm sight showing my new invention. The broken line showing the front of a firearm is for illustrative purposes only and forms no part of the claimed design; FIG. 2 is a front elevational view thereof; FIG. 3 is a rear elevational view thereof; FIG. 4 is a side elevational view thereof, the opposite side being a mirror image thereof; FIG. 5 is a top elevational view thereof; and, FIG. 6 is a bottom elevational view thereof.

[56] **References Cited**

U.S. PATENT DOCUMENTS

| | | | | |
|------------|---------|---------|-------|---------|
| D. 360,454 | 7/1995 | DePaoli | | D22/109 |
| D. 387,844 | 12/1997 | Emerson | | D22/109 |
| 793,016 | 6/1905 | Murry | | 42/100 |
| 1,380,150 | 5/1921 | Keeran | | 42/100 |
| 2,306,972 | 12/1942 | Meisel | | 42/101 |

1 Claim, 1 Drawing Sheet



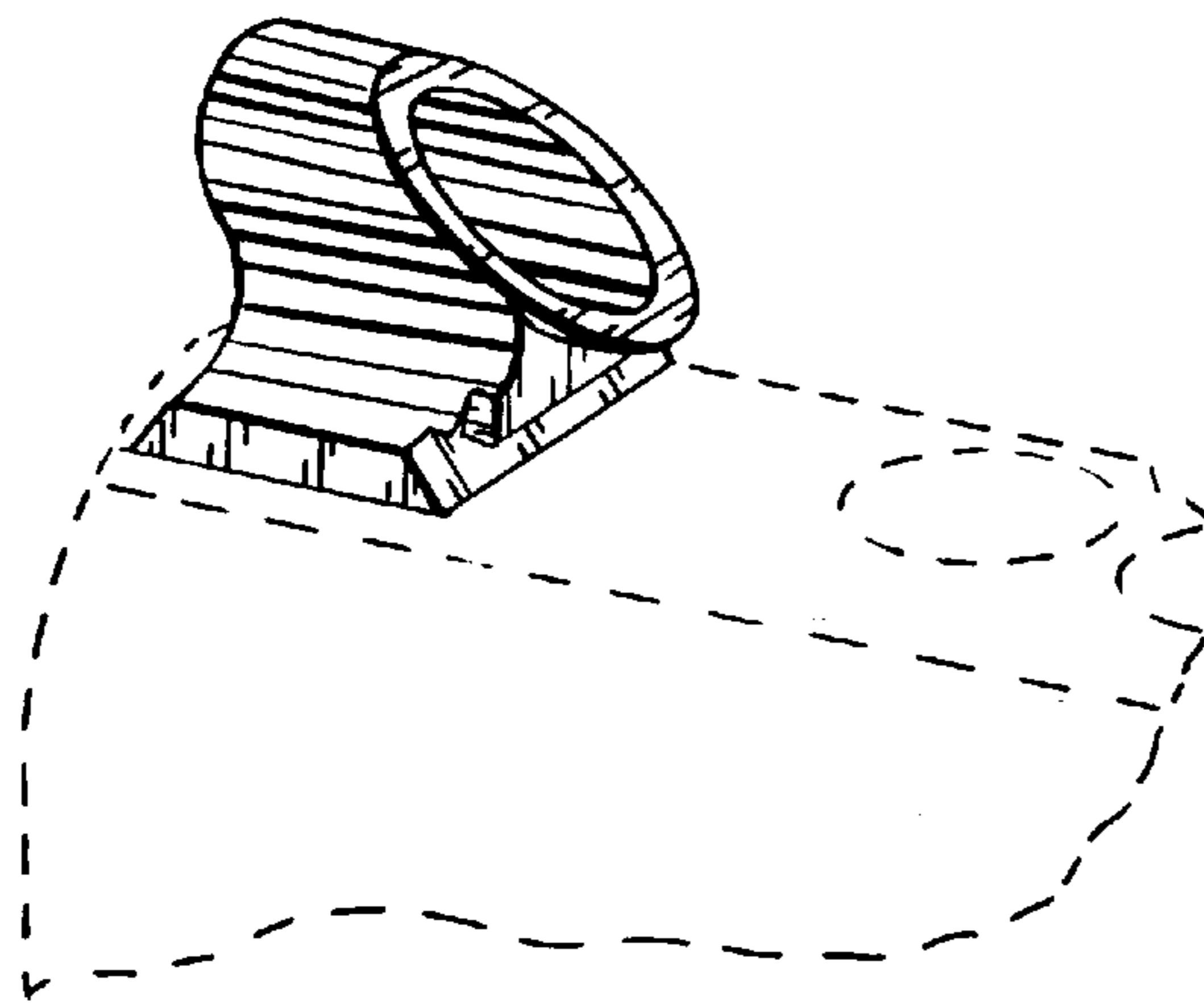


FIG. 1

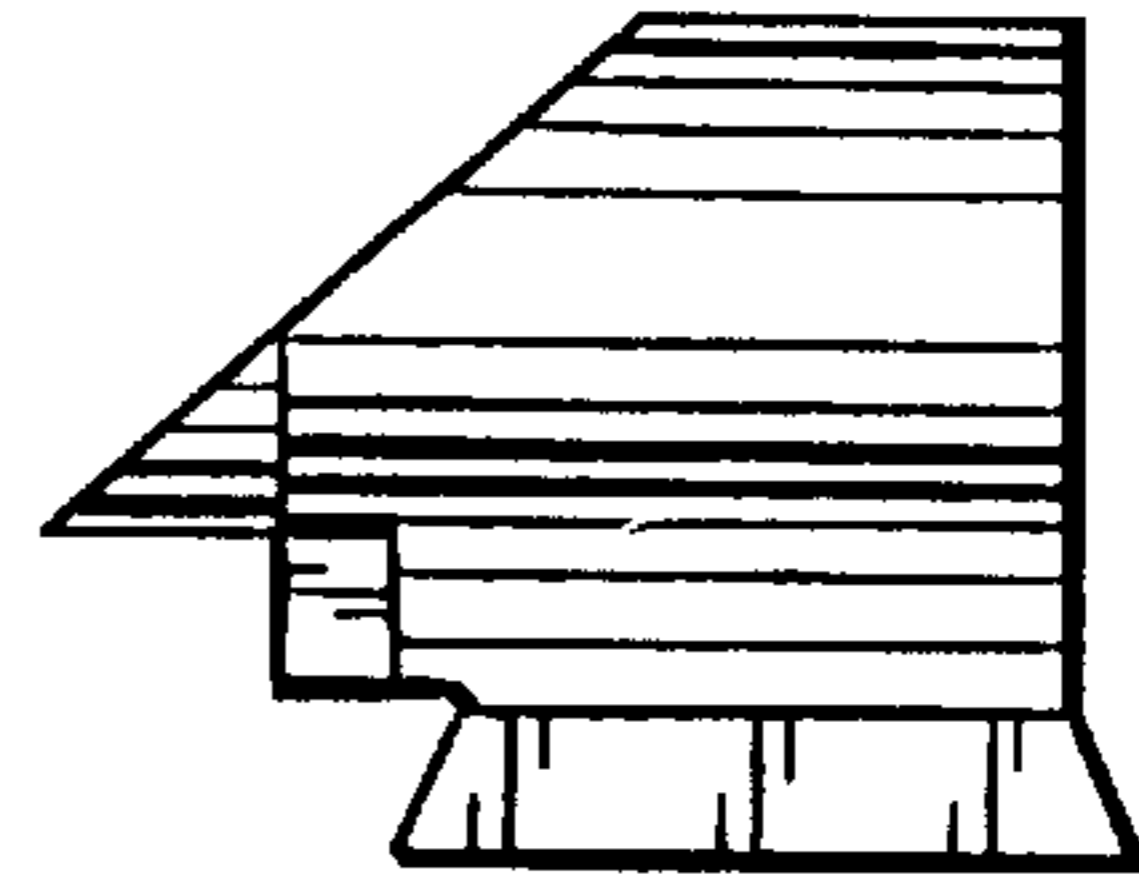


FIG. 4

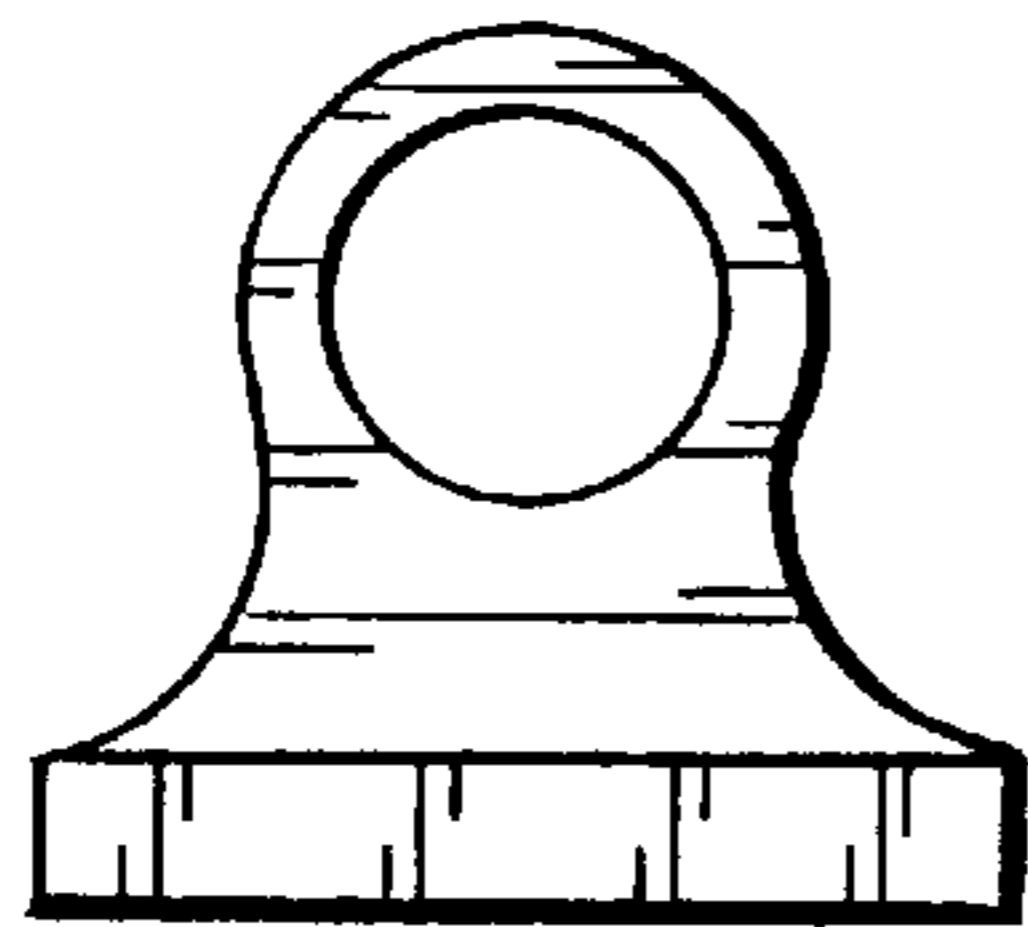


FIG. 2

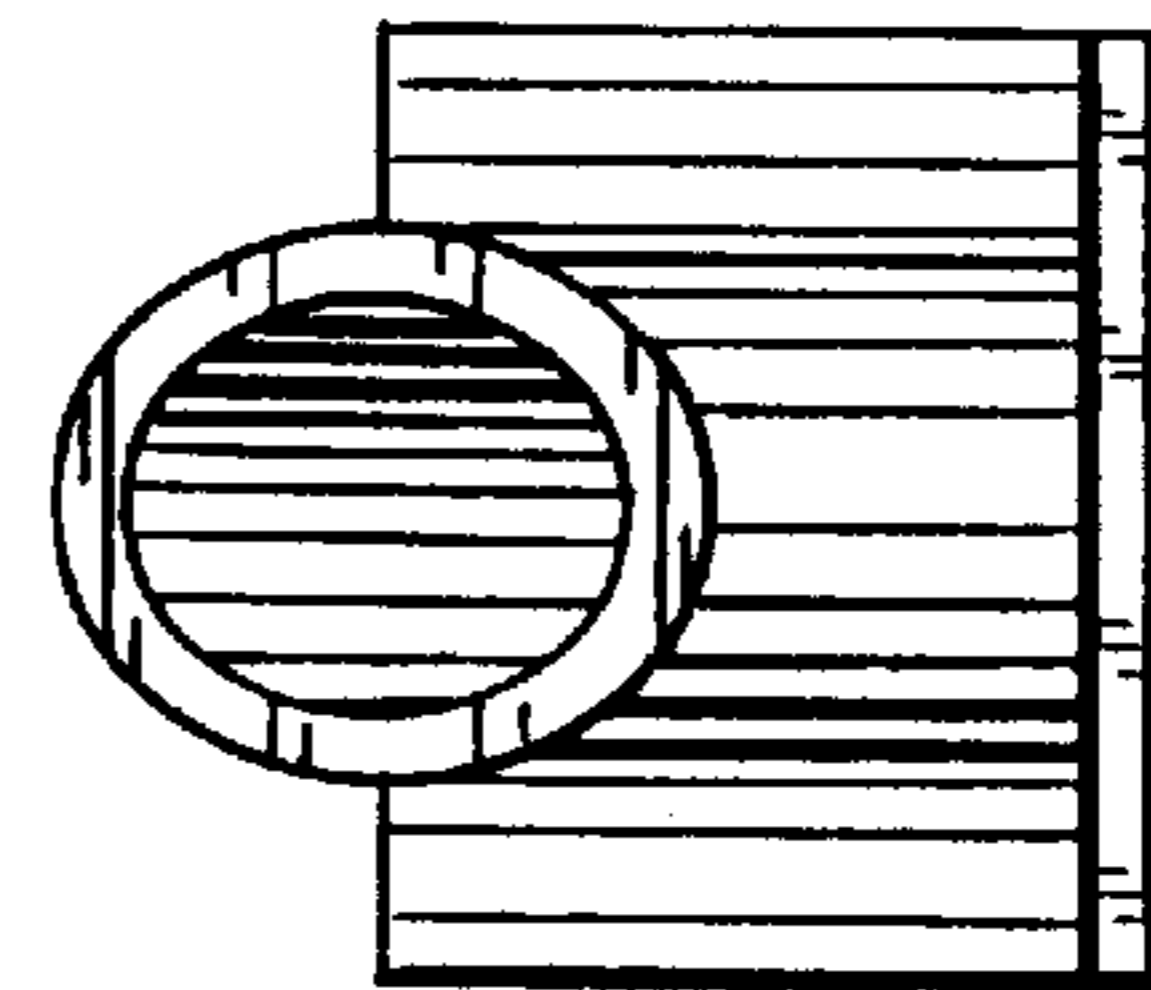


FIG. 5

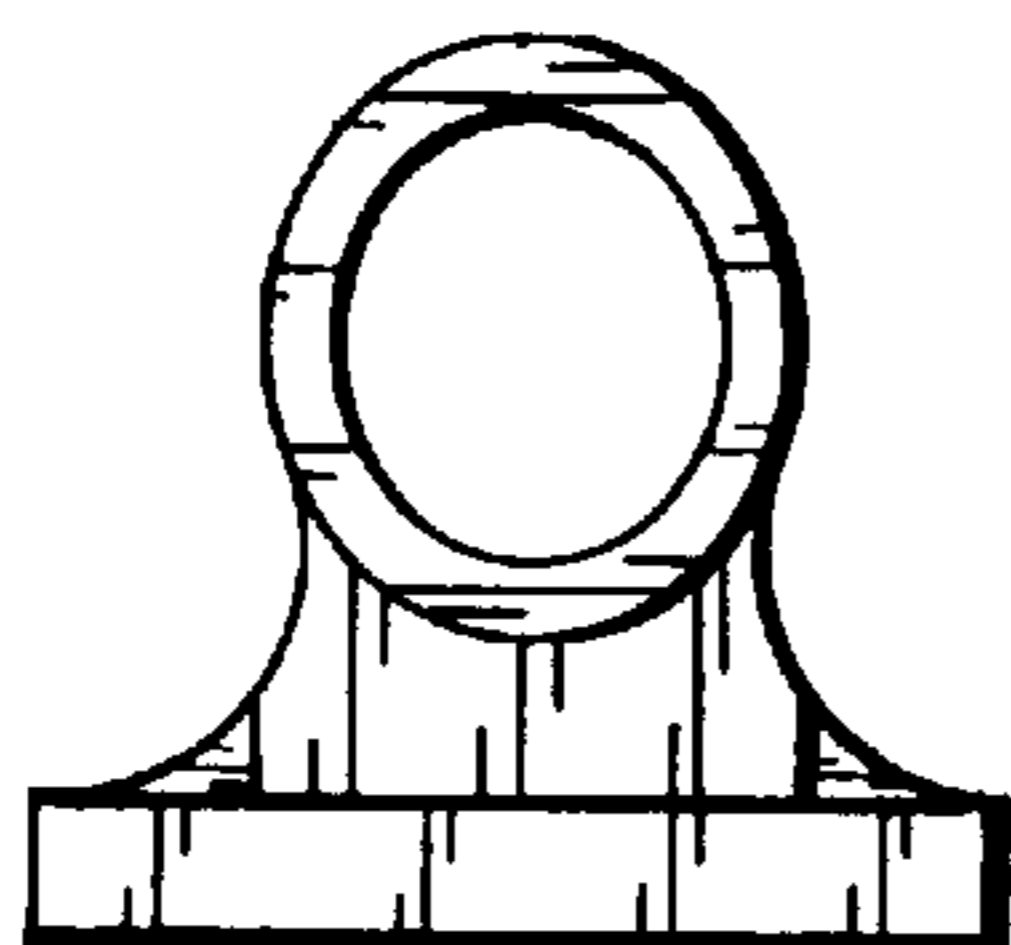


FIG. 3

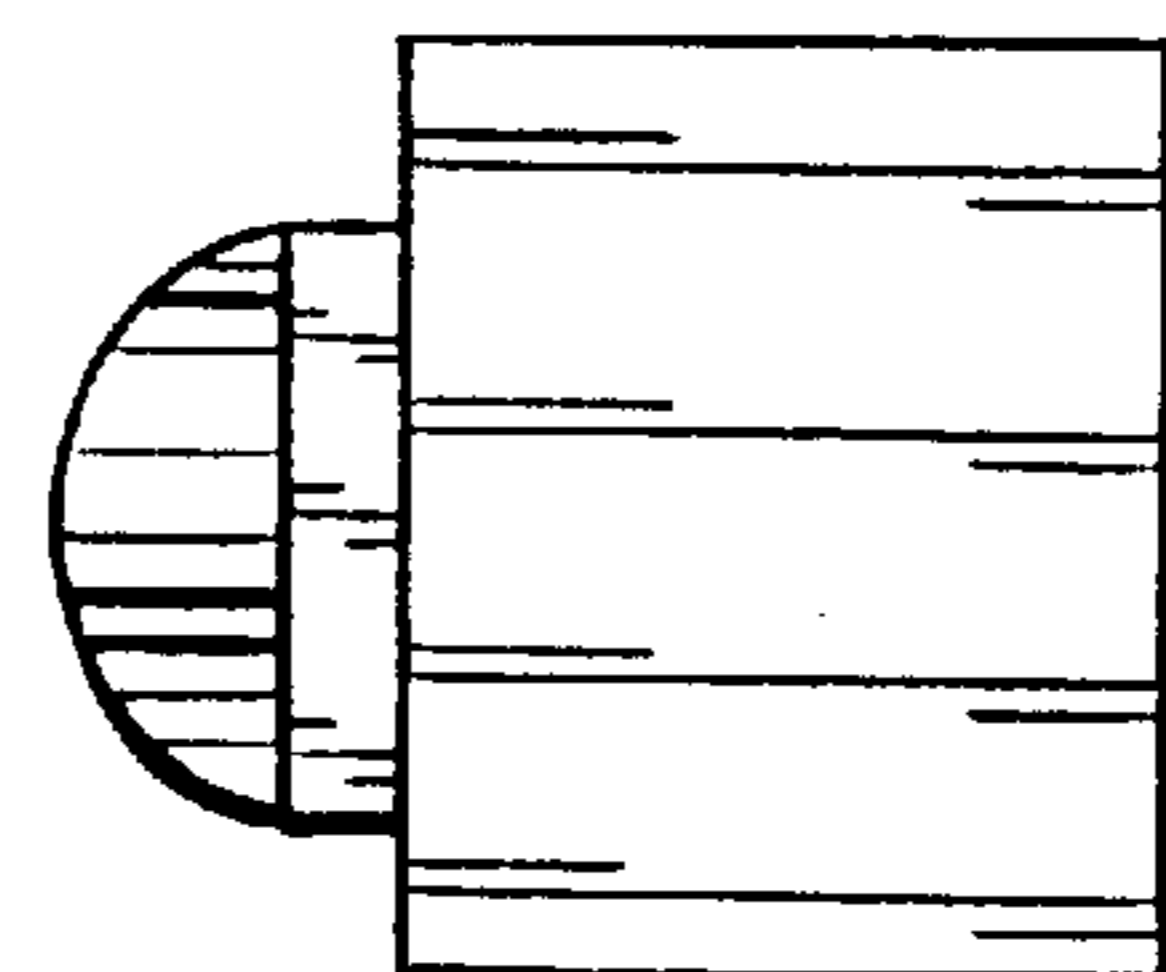


FIG. 6