



US00D404784S

# United States Patent [19] Ramage

[11] **Patent Number: Des. 404,784**

[45] **Date of Patent: \*\*Jan. 26, 1999**

[54] **SKATEBOARD TRUCK**

4,184,693 1/1980 Whitmarsh ..... 280/11.28  
4,398,734 8/1983 Barnard ..... 280/11.28

[76] Inventor: **Sandy F. Ramage**, 19601 Green Mountain Dr., Newhall, Calif. 91321

*Primary Examiner*—Sandra L. Morris  
*Attorney, Agent, or Firm*—Jack C. Munro

[\*\*] Term: **14 Years**

[57] **CLAIM**

[21] Appl. No.: **64,846**

The ornamental design for a skateboard truck, as shown and described.

[22] Filed: **Jan. 13, 1997**

**DESCRIPTION**

[51] **LOC (6) Cl.** ..... **21-02**

[52] **U.S. Cl.** ..... **D21/771**

[58] **Field of Search** ..... D21/226–227;  
D12/112; 280/11.26–11.28, 87.1

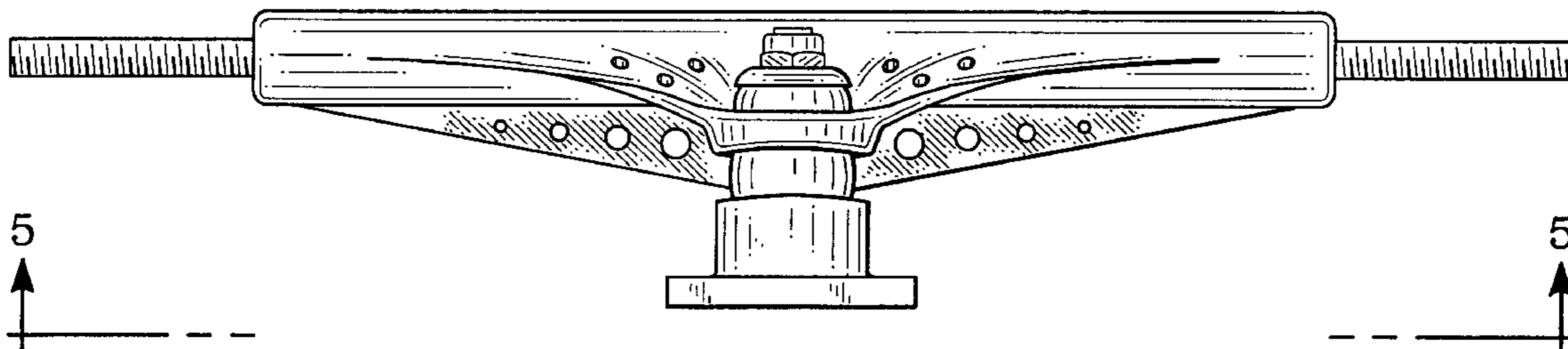
FIG. 1 is a top plan view of the skateboard truck showing my new design;  
FIG. 2 is a front elevational view thereof;  
FIG. 3 is a back elevational view thereof;  
FIG. 4 is a right side elevational view thereof with the left side view being identical but reversed; and,  
FIG. 5 is a bottom plan view thereof.

[56] **References Cited**

**U.S. PATENT DOCUMENTS**

- D. 252,693 8/1979 Brawner ..... D21/227
- D. 256,263 8/1980 Brawner ..... D21/227
- D. 257,051 9/1980 Chambers ..... D21/227

**1 Claim, 2 Drawing Sheets**



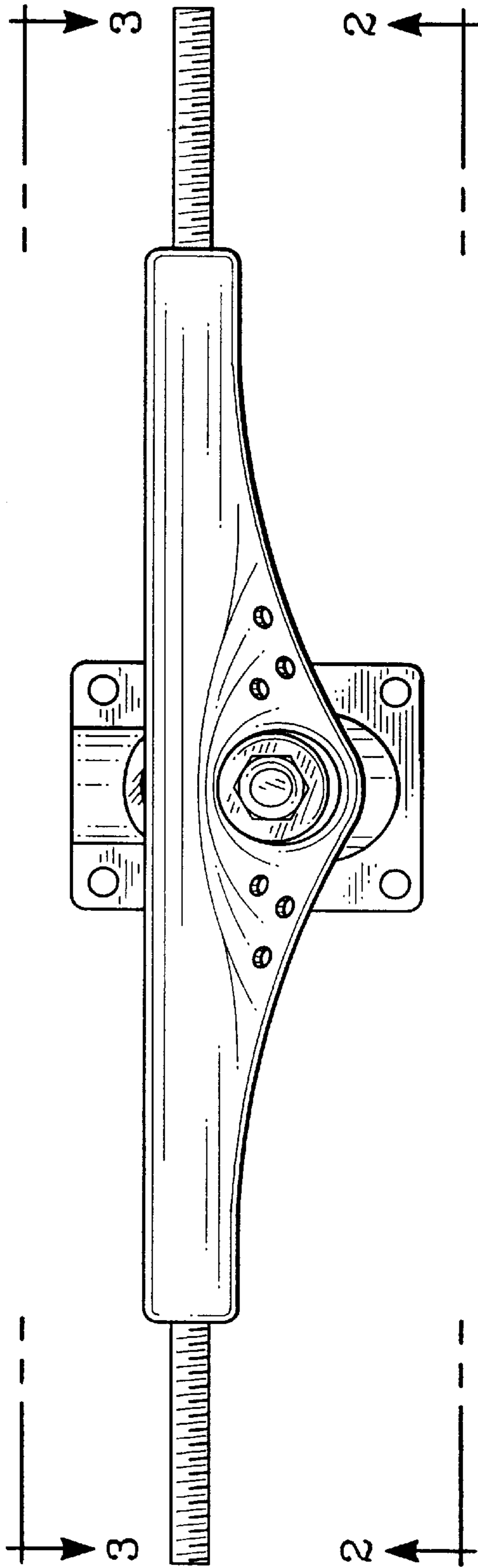


FIG. 1

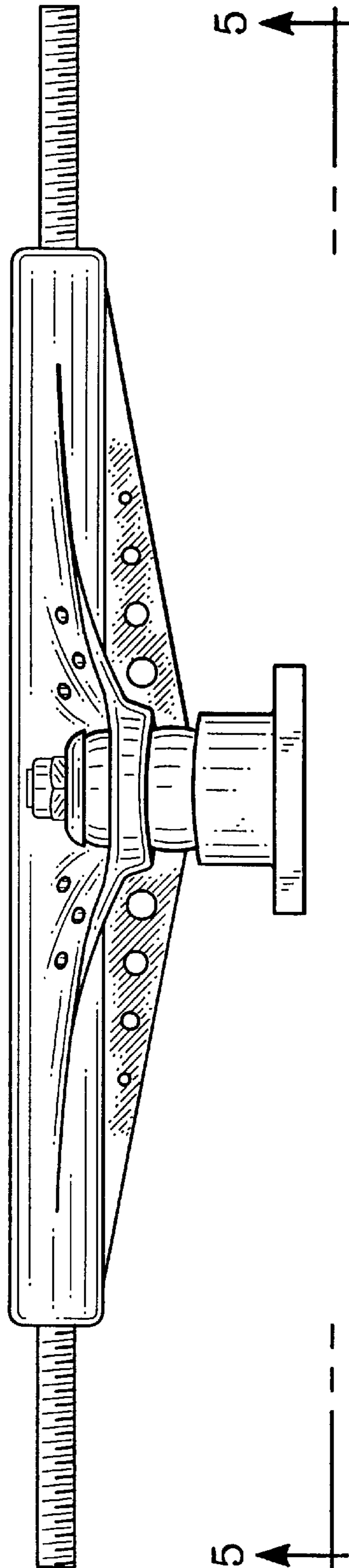


FIG. 2

