



US00D404783S

United States Patent [19]

[11] **Patent Number: Des. 404,783**

Best et al.

[45] **Date of Patent: **Jan. 26, 1999**

[54] **SOLE FOR A GOLF CLUB HEAD**

DESCRIPTION

[75] Inventors: **Christopher Best**, Encinitas; **Phil Rodgers**, San Diego; **Robert Hirsch**, Oceanside, all of Calif.

FIG. 1 is a bottom perspective view of a sole for a golf club head embodying the design of the invention;

[73] Assignee: **Cobra Golf Incorporated**, Carlsbad, Calif.

FIG. 2 is a bottom plan view of the sole for a golf club head of FIG. 1;

[**] Term: **14 Years**

FIG. 3 is a rear elevational view of the sole for a golf club head of FIG. 1;

[21] Appl. No.: **62,232**

FIG. 4 is a right side view of the sole of a golf club head of FIG. 1;

[22] Filed: **Nov. 12, 1996**

FIG. 5 is a bottom perspective view of a second embodiment of the sole for a golf club head of FIG. 1;

[51] **LOC (6) Cl.** **21-02**

FIG. 6 is a bottom plan view of the sole for a golf club head FIG. 5;

[52] **U.S. Cl.** **D21/753; D21/747**

FIG. 7 is a rear elevational view of the sole for a golf club head of FIG. 5;

[58] **Field of Search** **D21/220, 221; 473/350, 338**

FIG. 8 is a right side view of the sole for a golf club head of FIG. 5;

[56] **References Cited**

FIG. 9 is a bottom perspective view of a third embodiment of the sole for a golf club head of FIG. 1;

U.S. PATENT DOCUMENTS

- D. 352,082 11/1994 Schroder D21/220
- D. 357,521 4/1995 Wittrock D21/220

FIG. 10 is a bottom plan view of the sole for a golf club head of FIG. 9;

Primary Examiner—Philip S. Hyder
Assistant Examiner—Mitchell I. Siegel
Attorney, Agent, or Firm—Pennie & Edmonds LLP

FIG. 11 is a rear elevational view of the sole for a golf club head of FIG. 9; and,

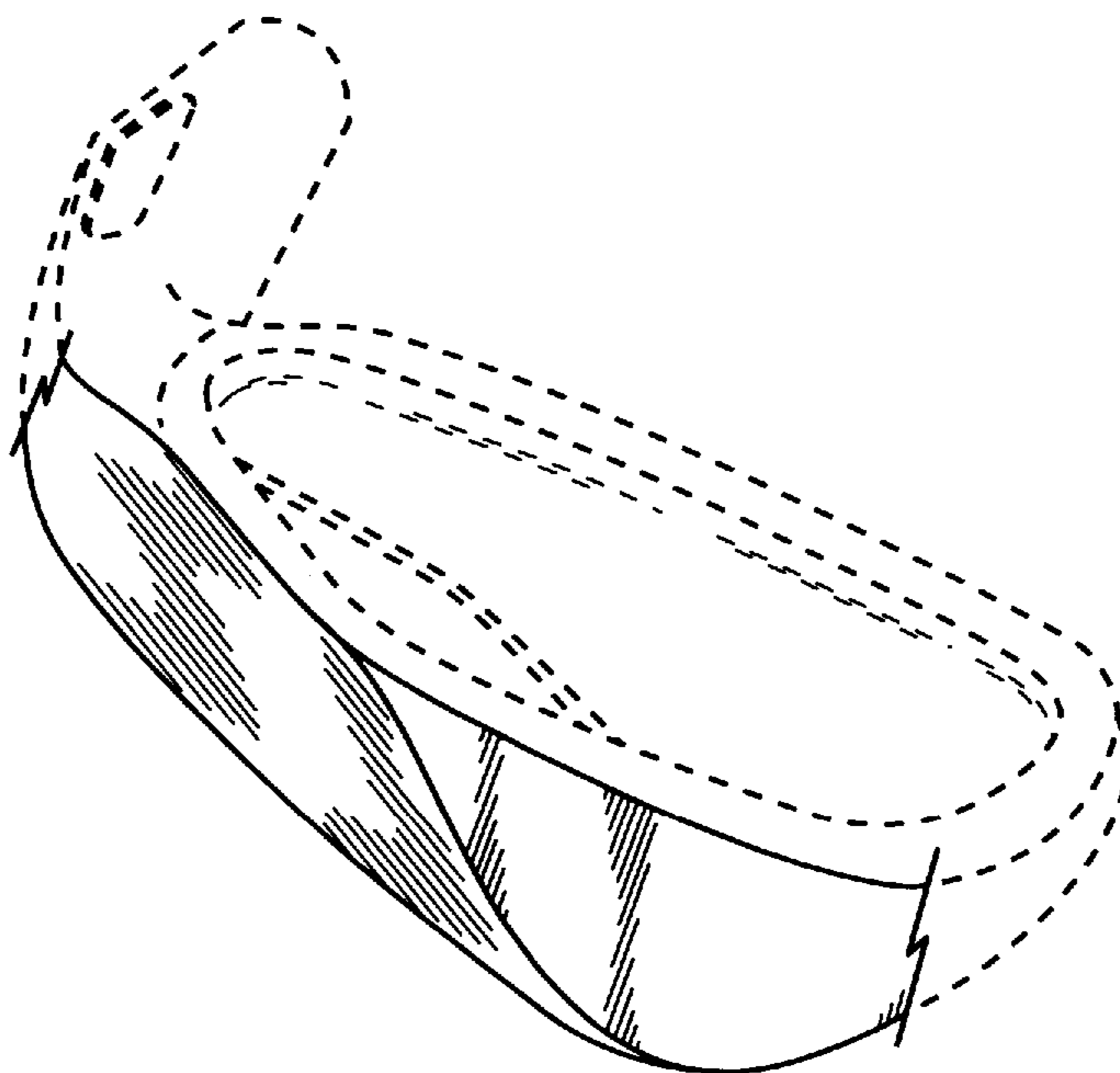
[57] **CLAIM**

FIG. 12 is a right side view of the sole for a golf club head of FIG. 9.

The ornamental design for a sole for a golf club head, as shown and described.

The broken line illustrations in the drawing figures are intended to illustrate the environment of the design sought to be patented and form no part of the design.

1 Claim, 6 Drawing Sheets



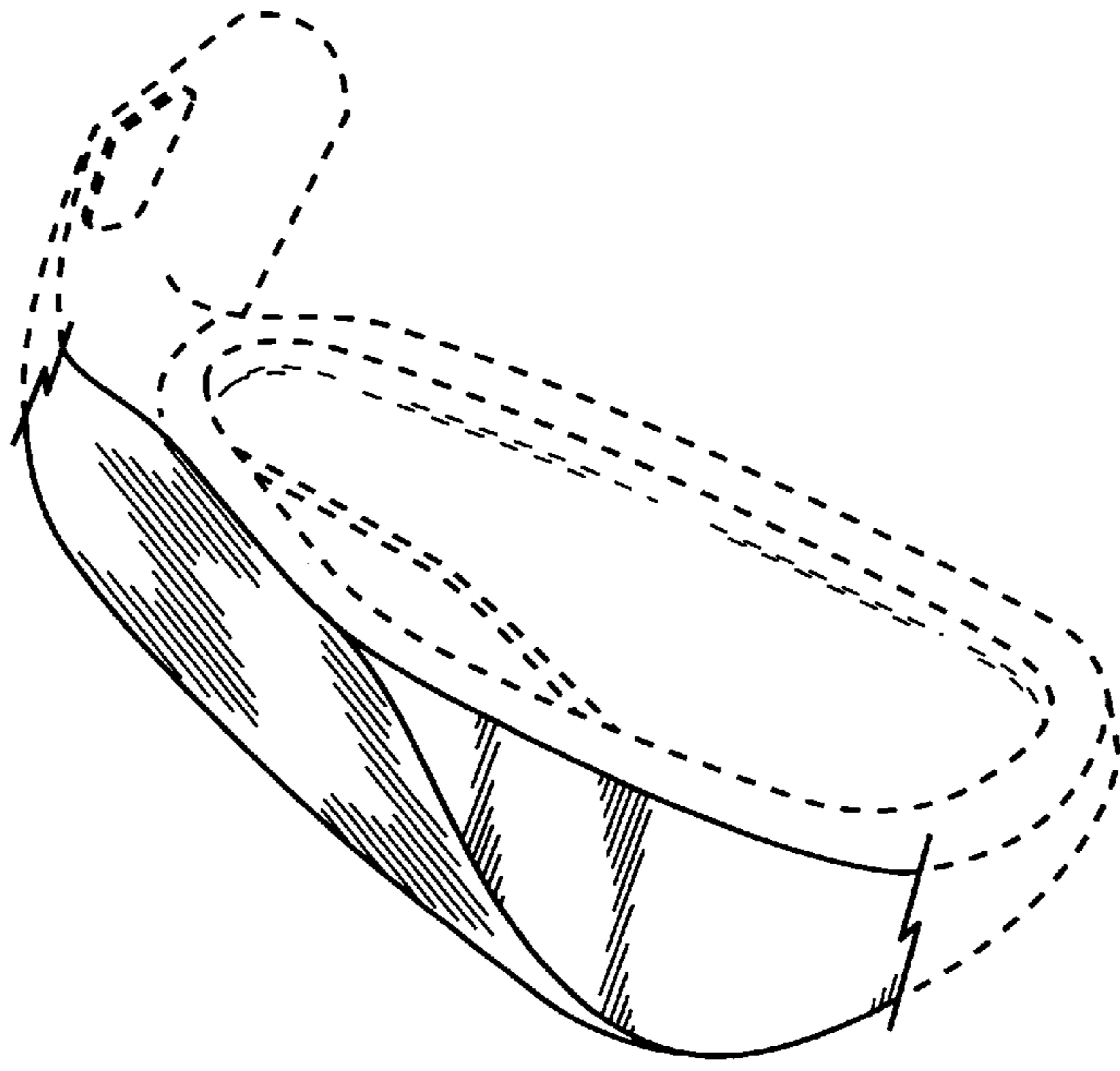


FIG. 1

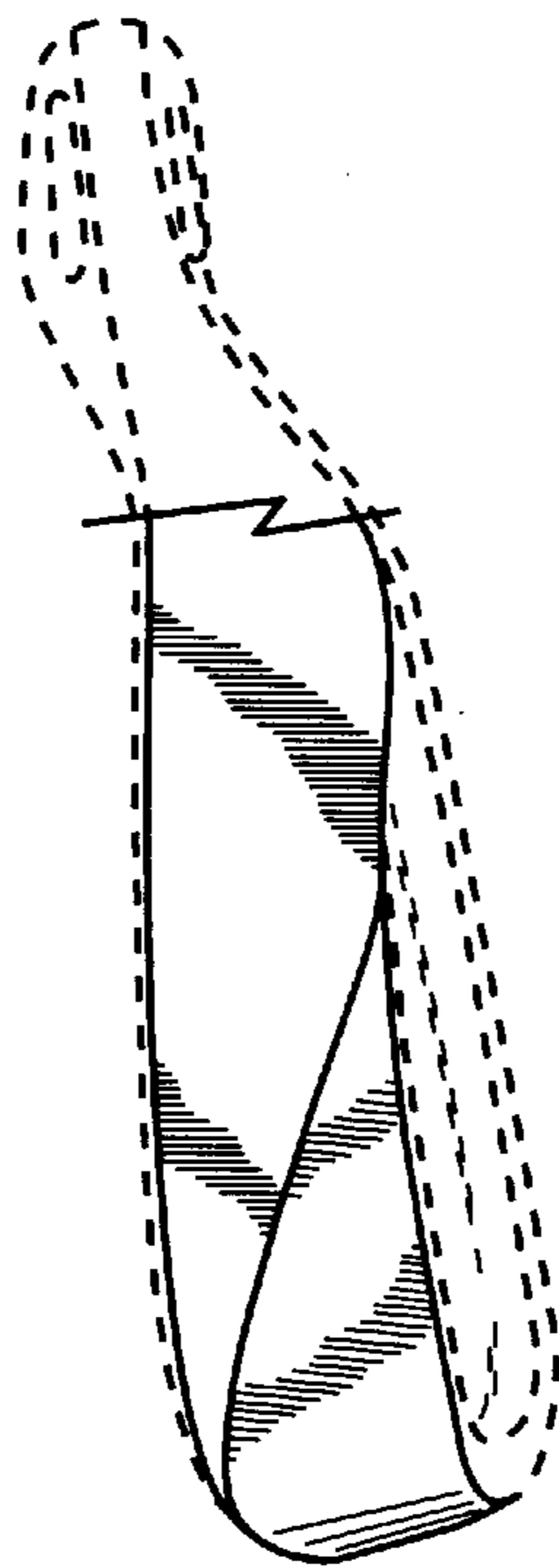


FIG. 2

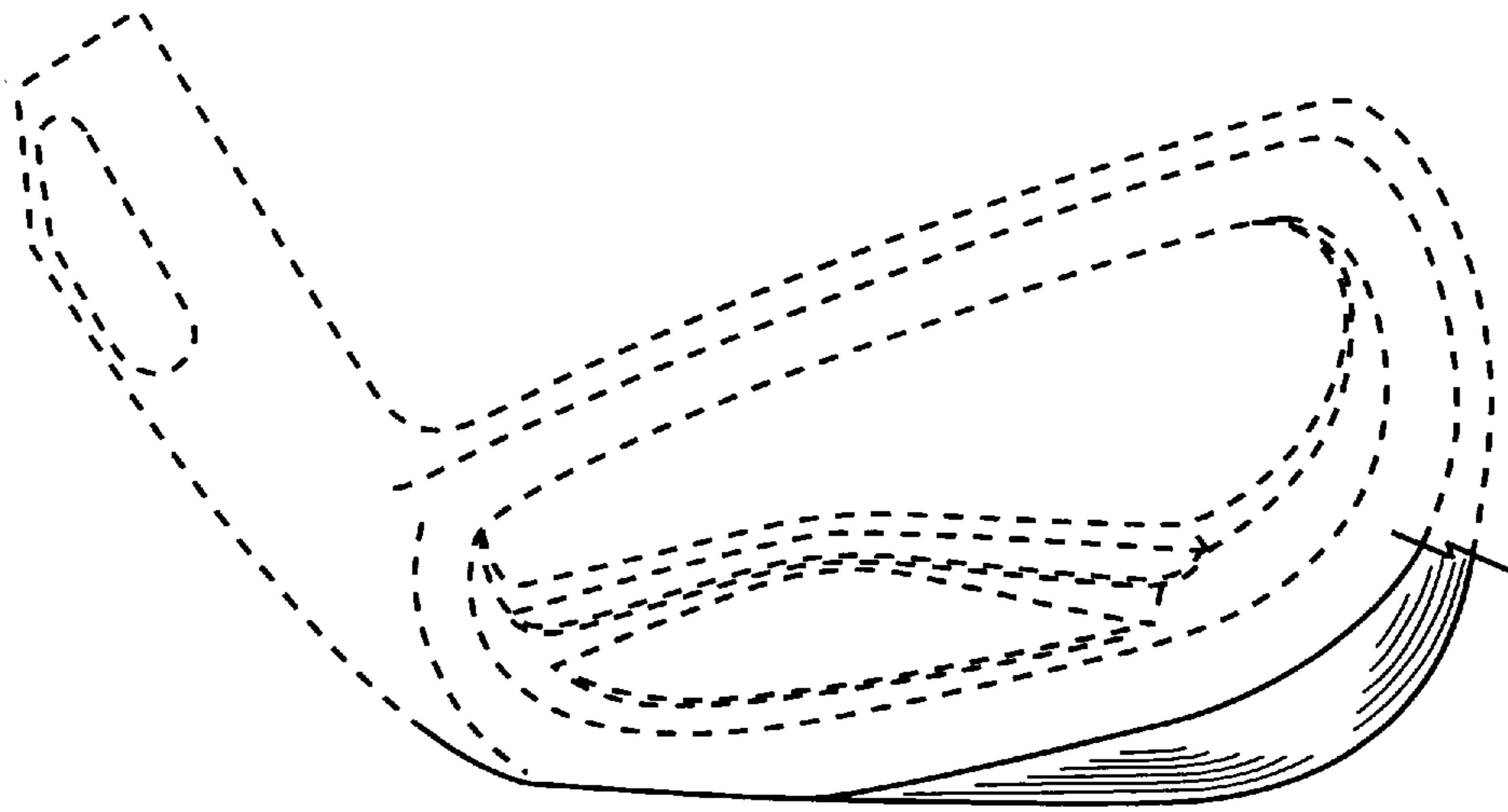


FIG. 3

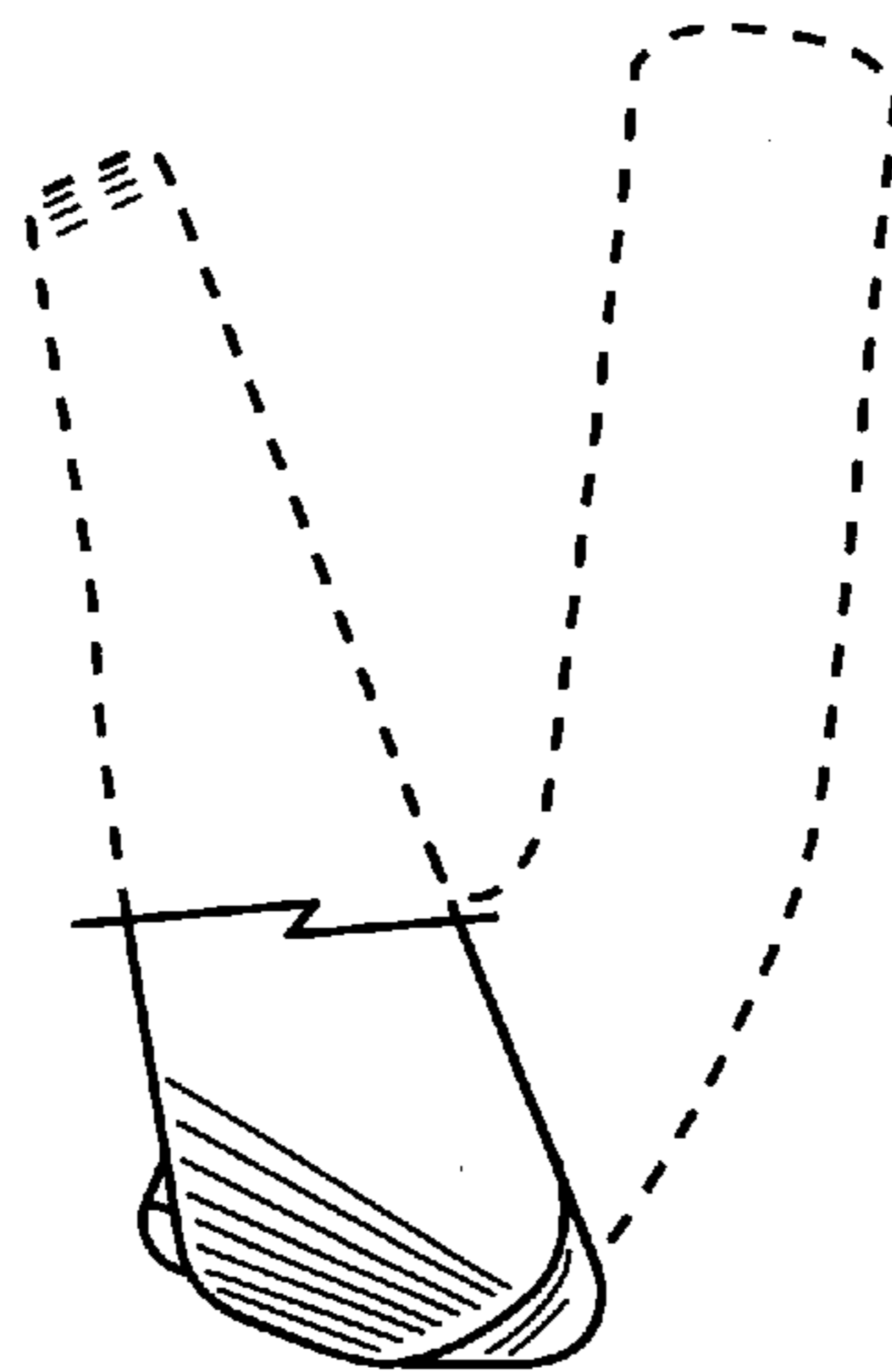


FIG. 4

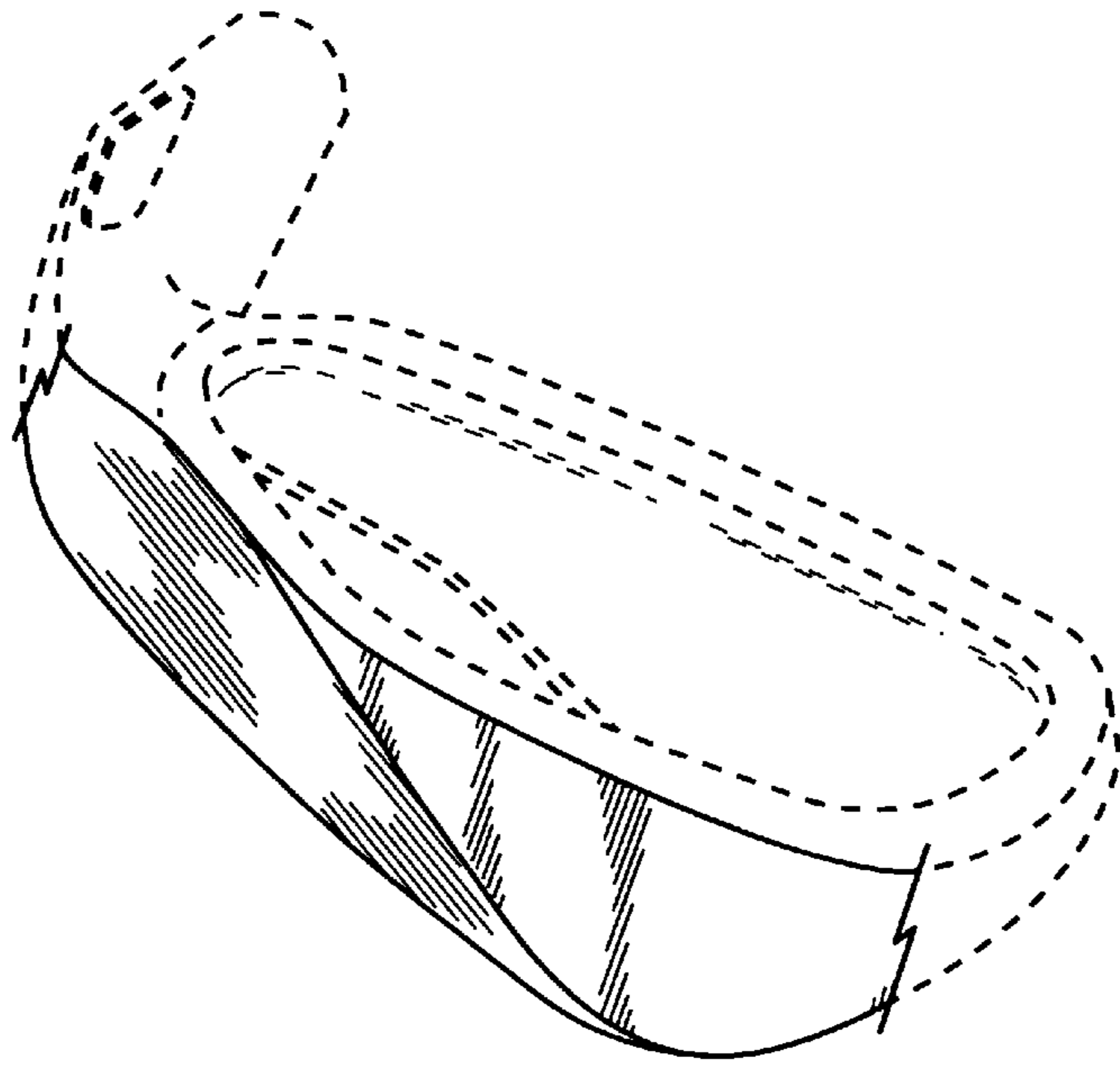


FIG. 5

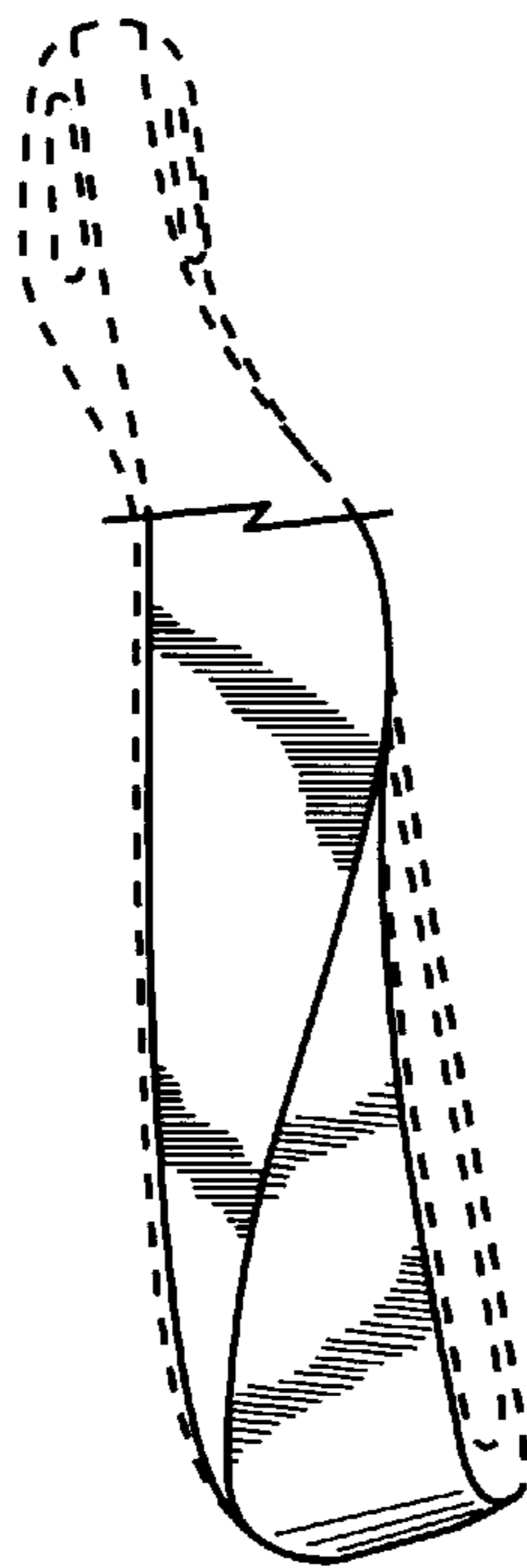


FIG. 6

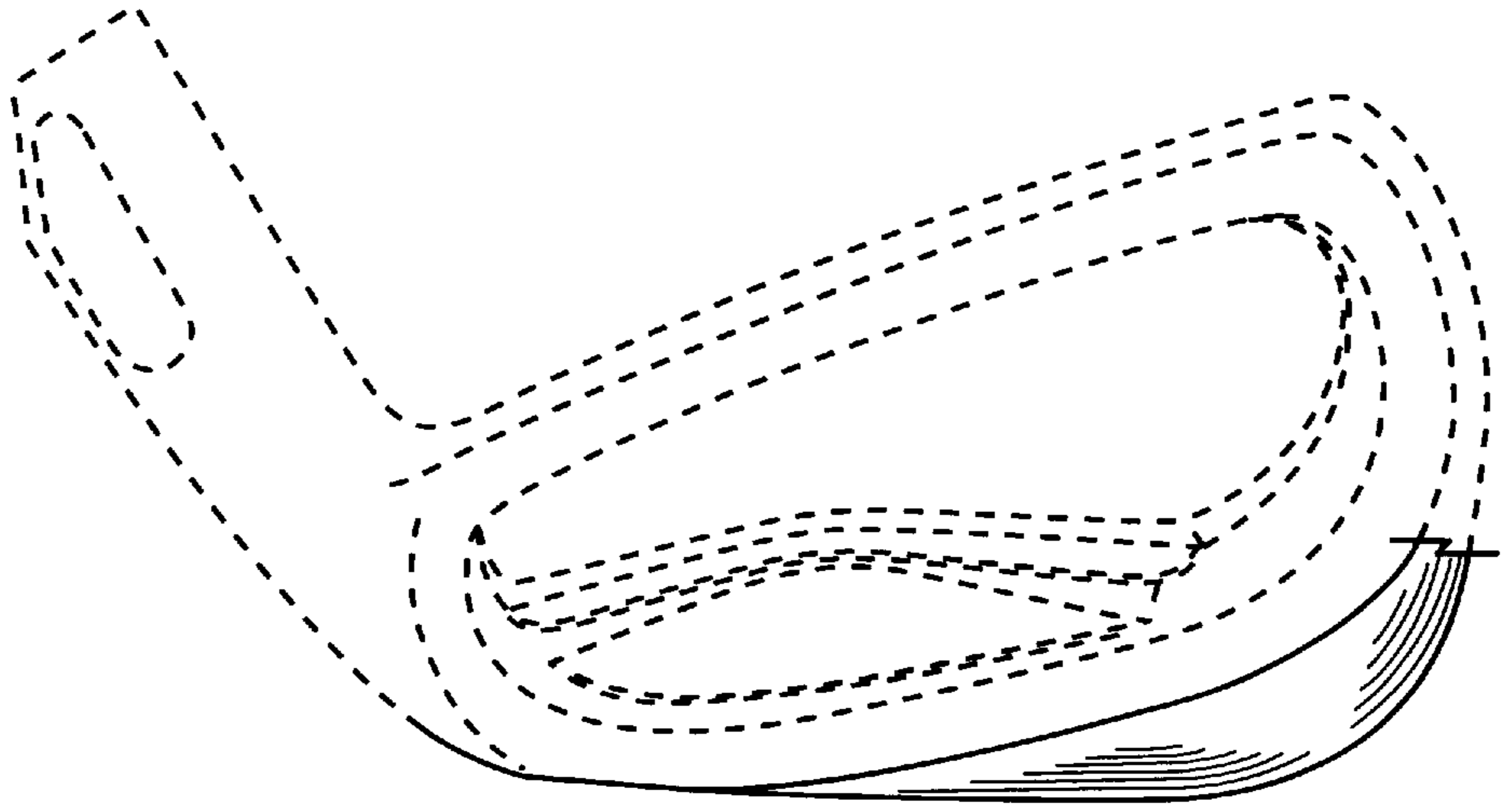


FIG. 7

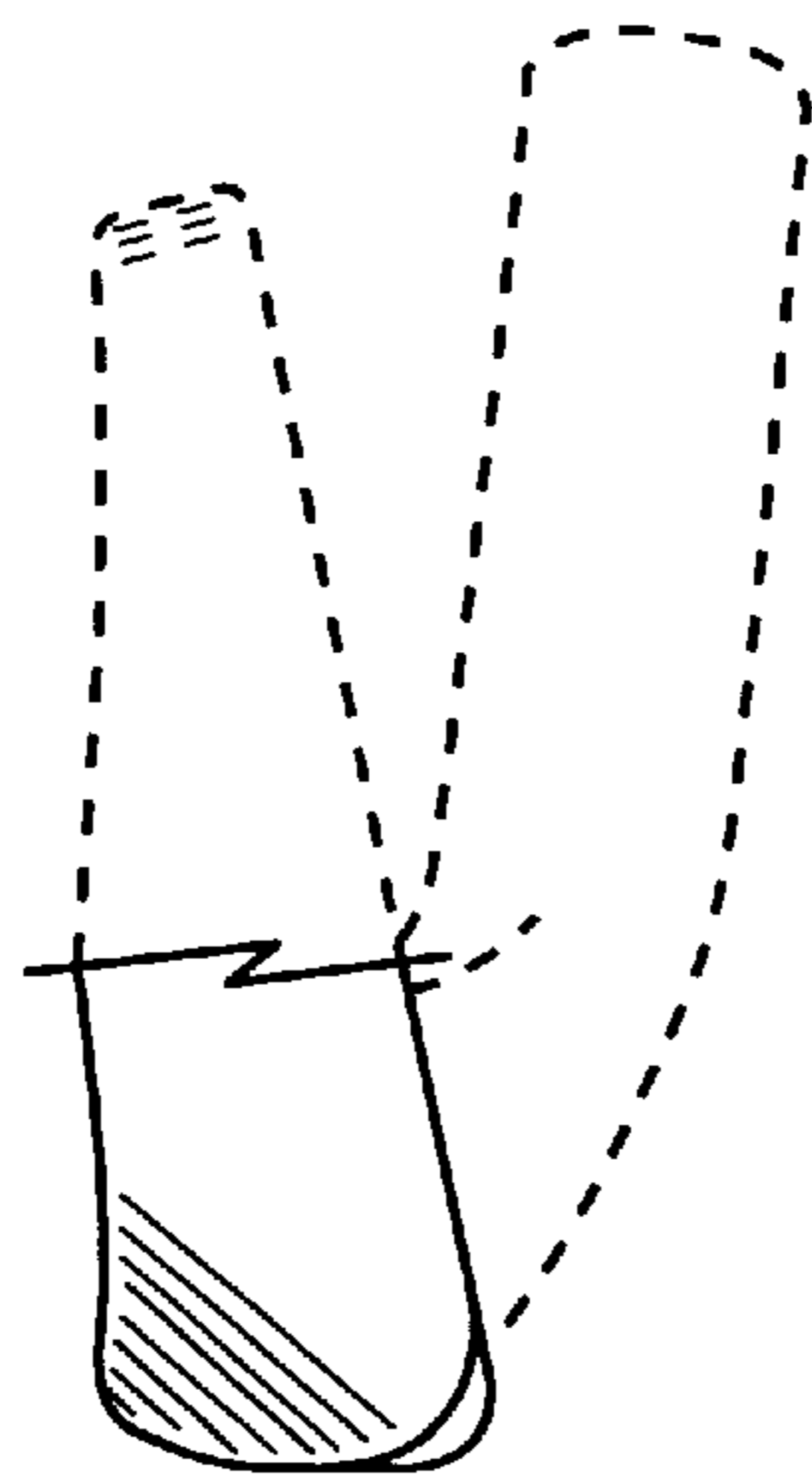


FIG. 8

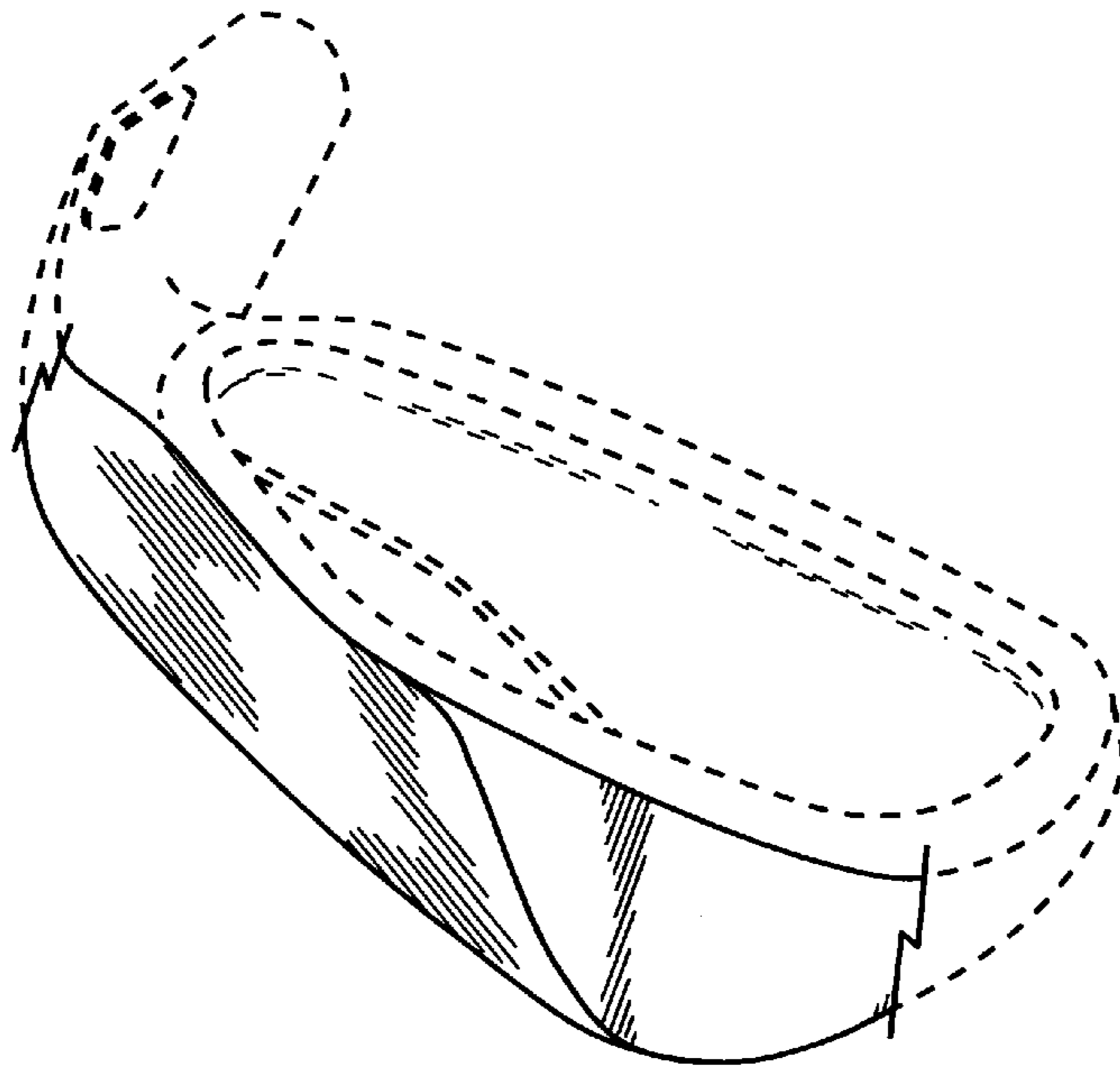


FIG. 9

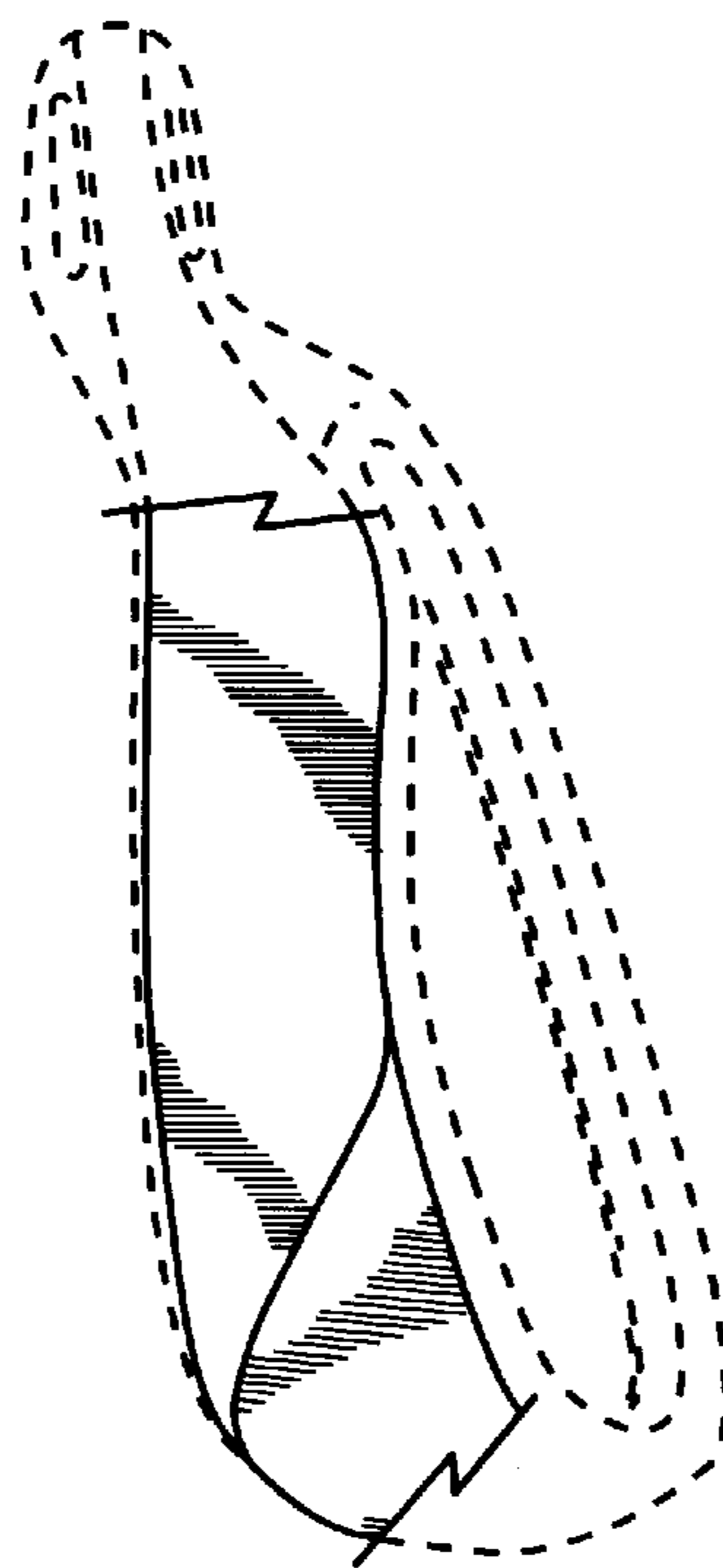


FIG. 10

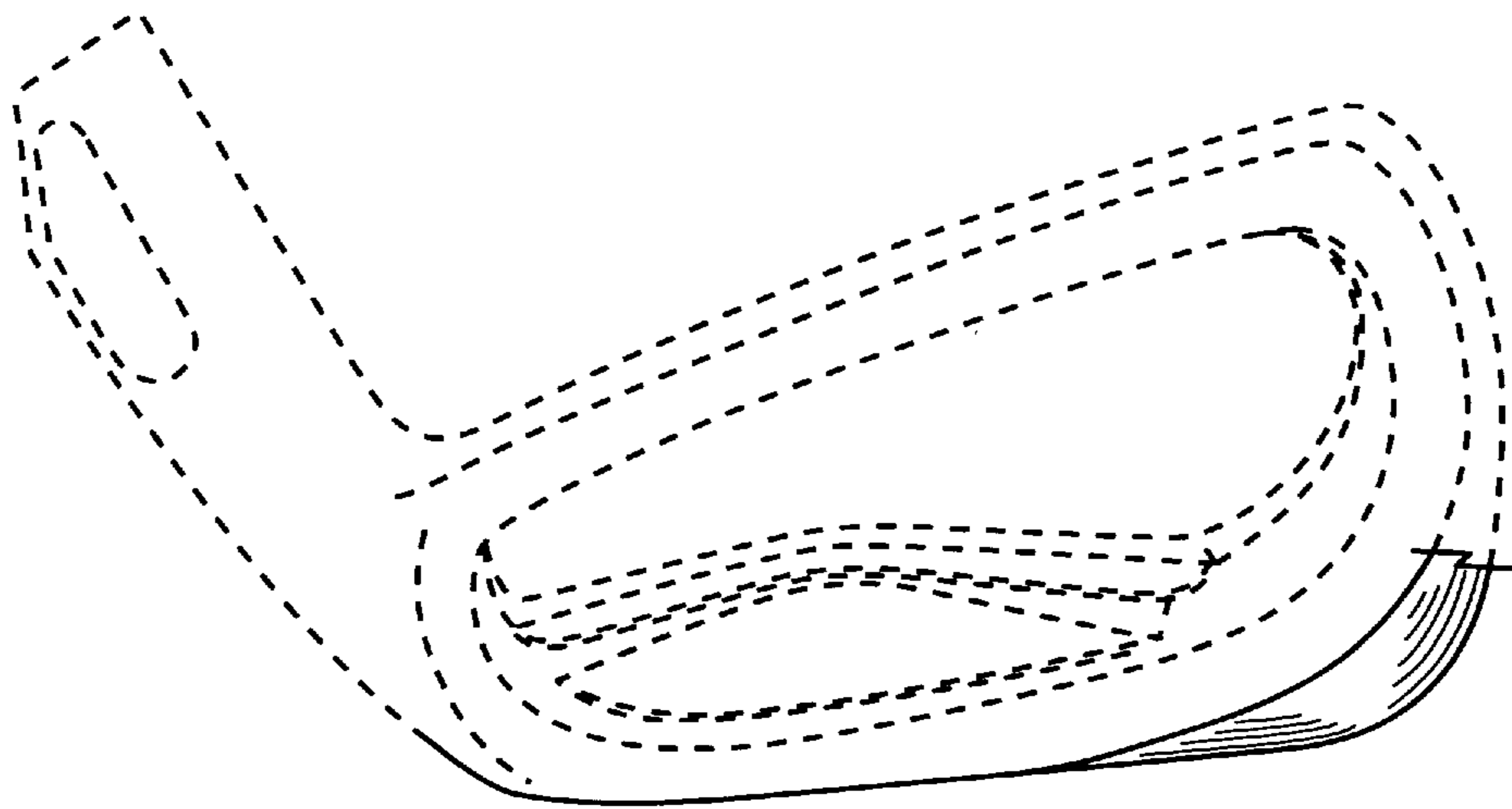


FIG. 11

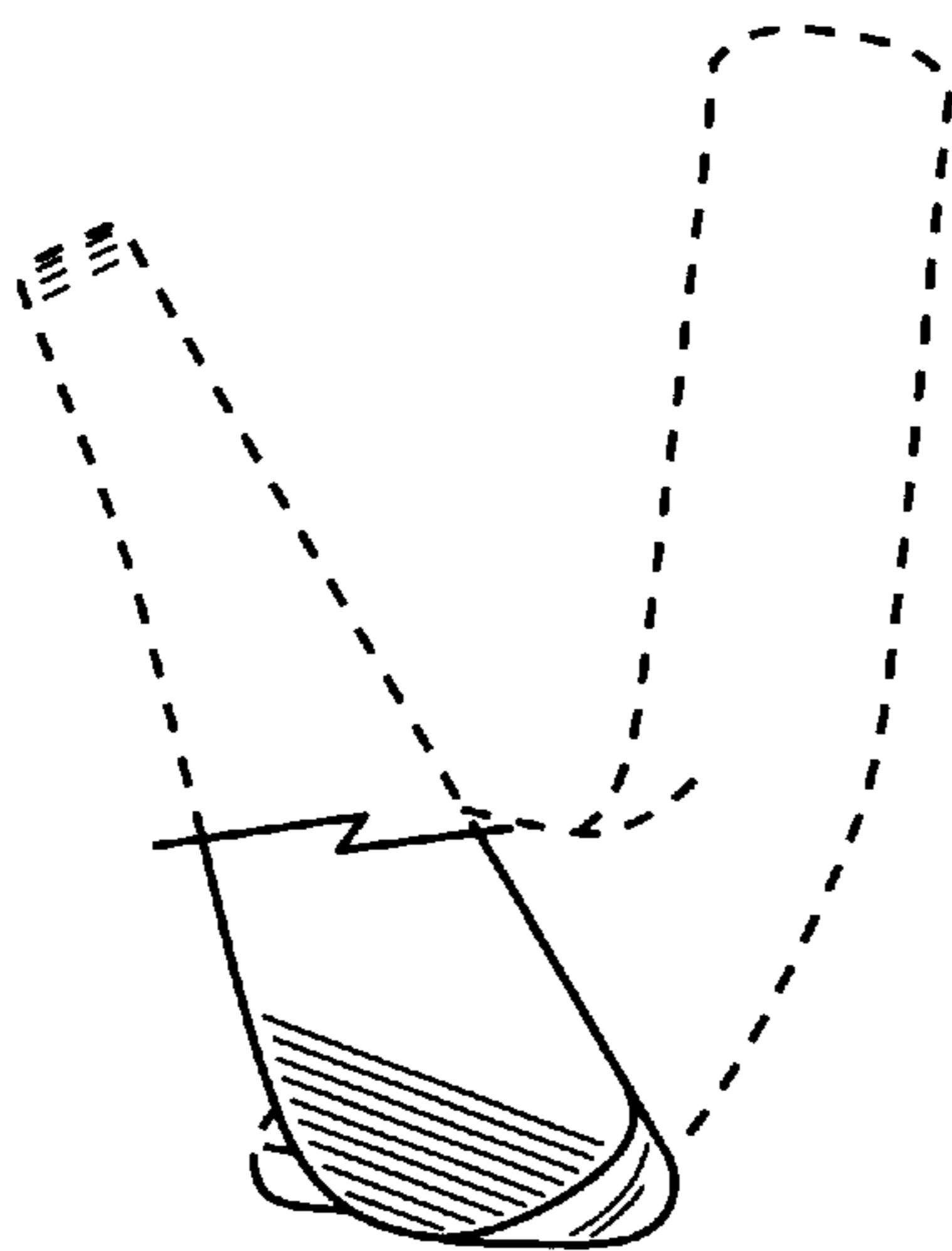


FIG. 12