



US00D404774S

# United States Patent [19] Kovach

[11] **Patent Number: Des. 404,774**

[45] **Date of Patent: \*\*Jan. 26, 1999**

[54] **HOBBY HORSE**

[76] Inventor: **John Kovach**, 1353 Ford Ave.,  
Wyandotte, Mich. 48192

[\*\*] Term: **14 Years**

[21] Appl. No.: **81,686**

[22] Filed: **Jan. 8, 1998**

[51] **LOC (6) Cl. .... 21-01**

[52] **U.S. Cl. .... D21/421**

[58] **Field of Search** ..... D21/68-70, 71-81,  
D21/128, 134, 83, 165; 280/87.01, 87.021,  
828, 1.13; 446/313, 29, 269; D12/107,  
108

[56] **References Cited**

**U.S. PATENT DOCUMENTS**

- D. 38,334 12/1906 Quaintance ..... D21/165
- D. 48,535 2/1916 Twyeffort ..... D21/165
- D. 140,154 1/1945 Brown ..... D21/75
- D. 247,003 1/1978 Walker ..... D21/75

- D. 266,754 11/1982 Taylor ..... D21/165
- D. 371,171 6/1996 Alexander ..... D21/75
- 4,681,332 7/1987 Malone ..... 280/87.021

*Primary Examiner*—Raphael Barkai  
*Attorney, Agent, or Firm*—Gifford, Krass, Groh, Sprinkle,  
Patmore, Anderson & Citkowski, P.C.

[57] **CLAIM**

The ornamental design for a hobby horse, as shown and described.

**DESCRIPTION**

FIG. 1 is a top, and right side perspective view of a hobby horse embodying my ornamental design constituting my invention;

FIG. 2 is a right side perspective view thereof;

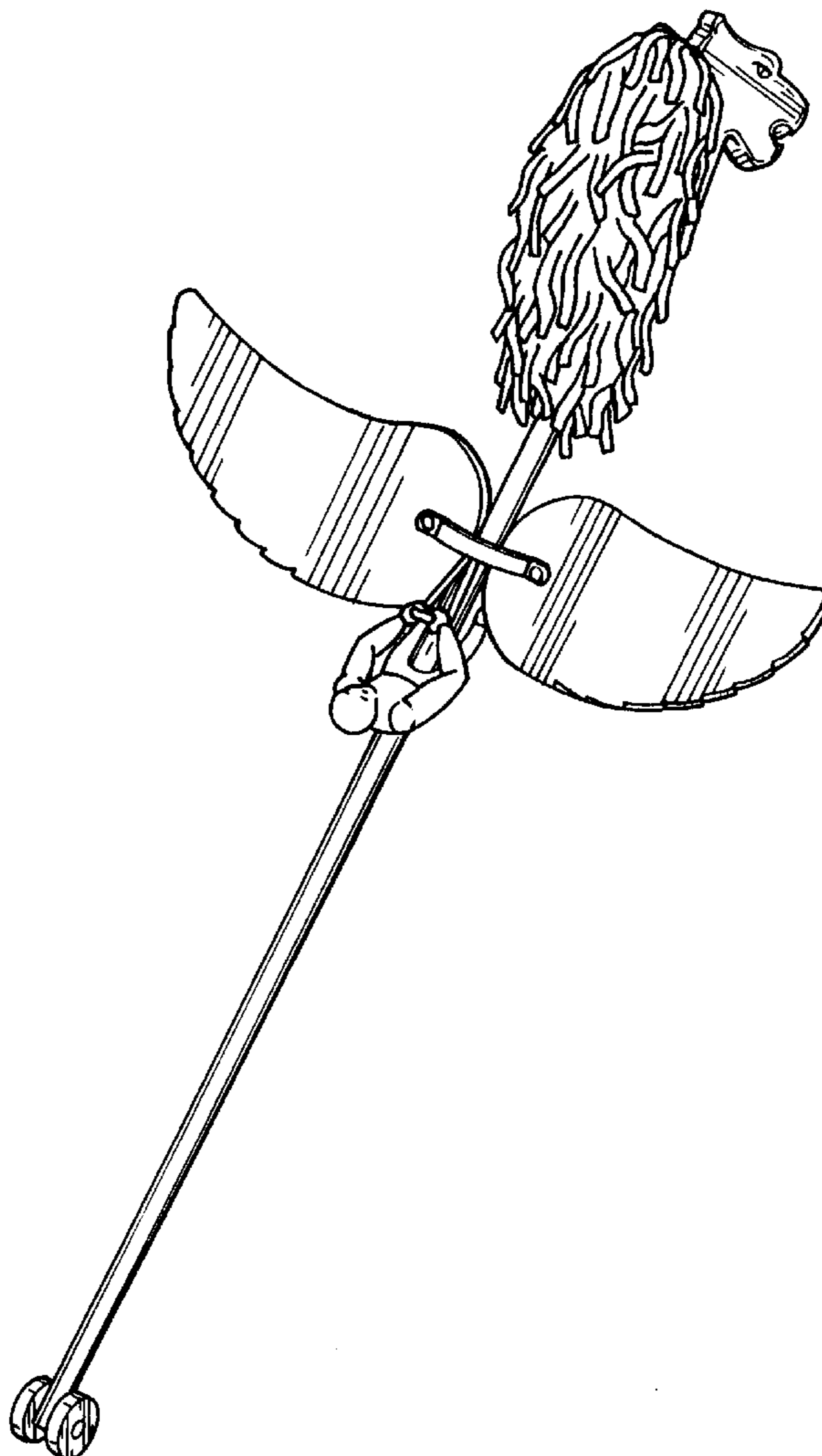
FIG. 3 is a bottom plan view thereof;

FIG. 4 is a top plan view thereof;

FIG. 5 is a front elevational view thereof; and,

FIG. 6 is a rear elevational view thereof.

**1 Claim, 3 Drawing Sheets**



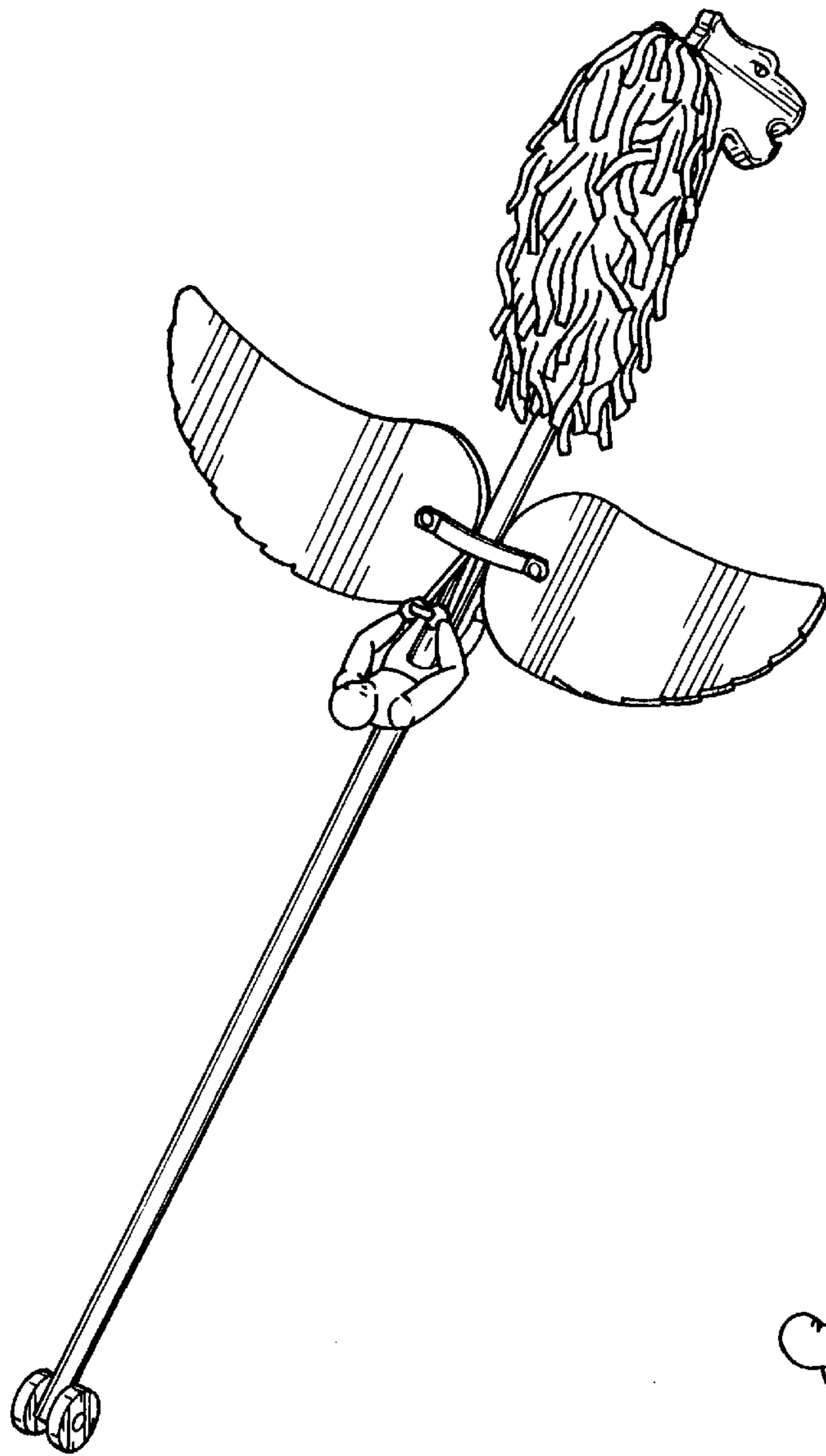


Fig-1

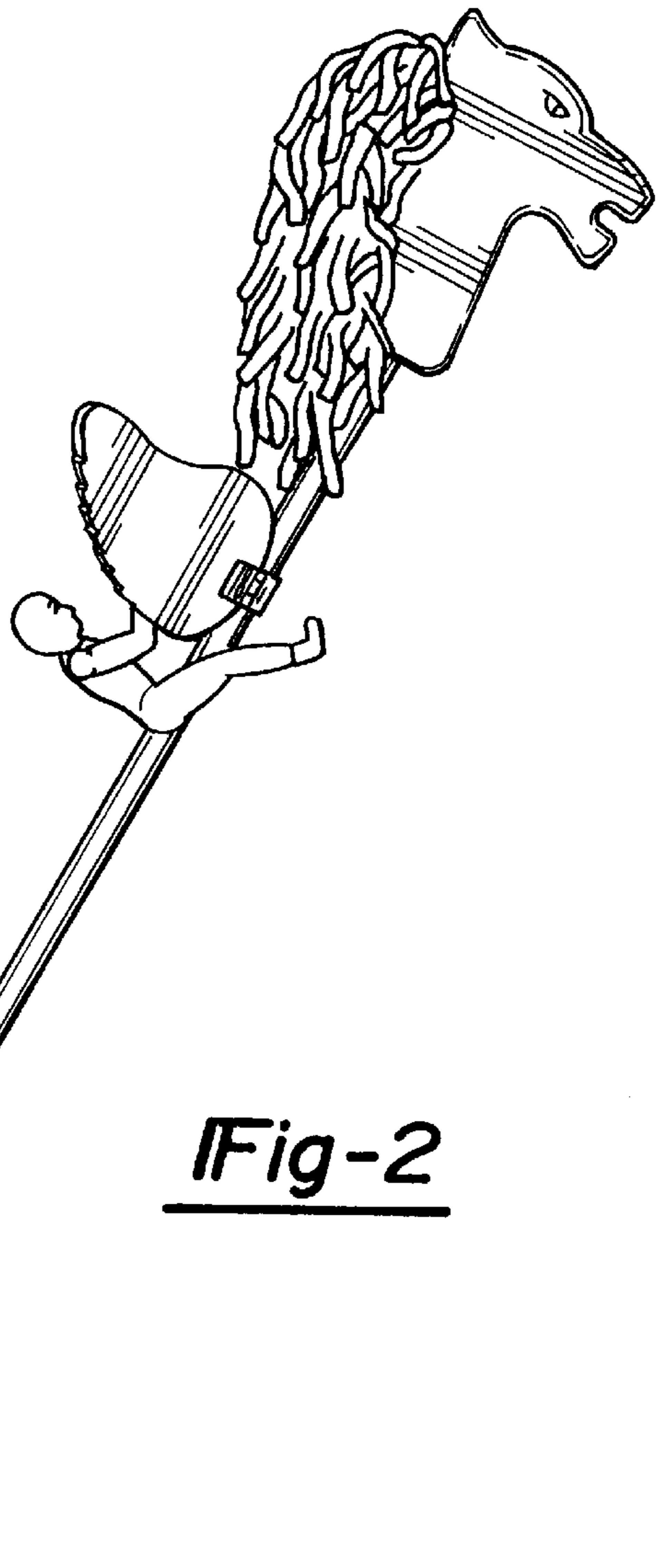


Fig-2

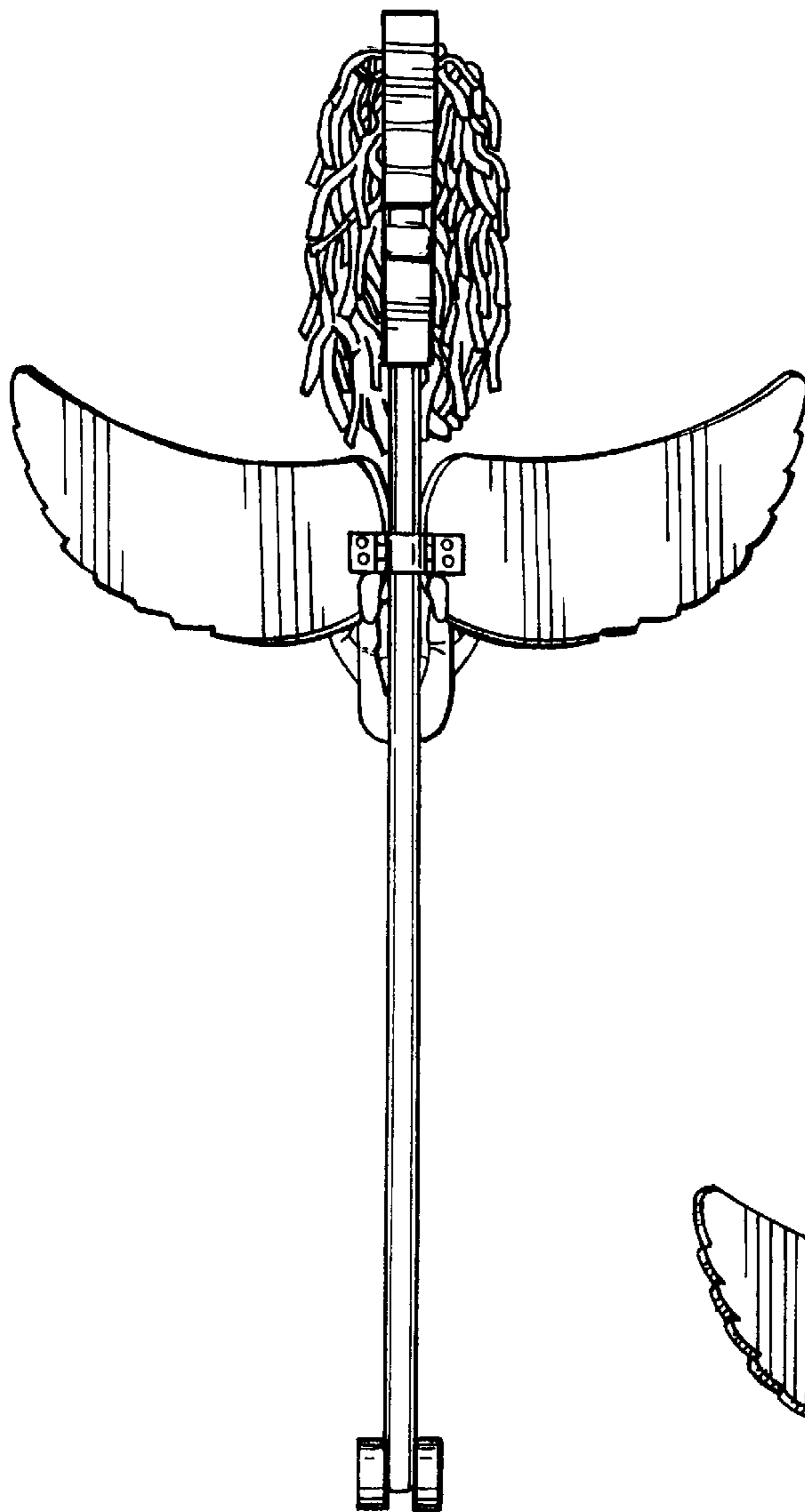


Fig-3

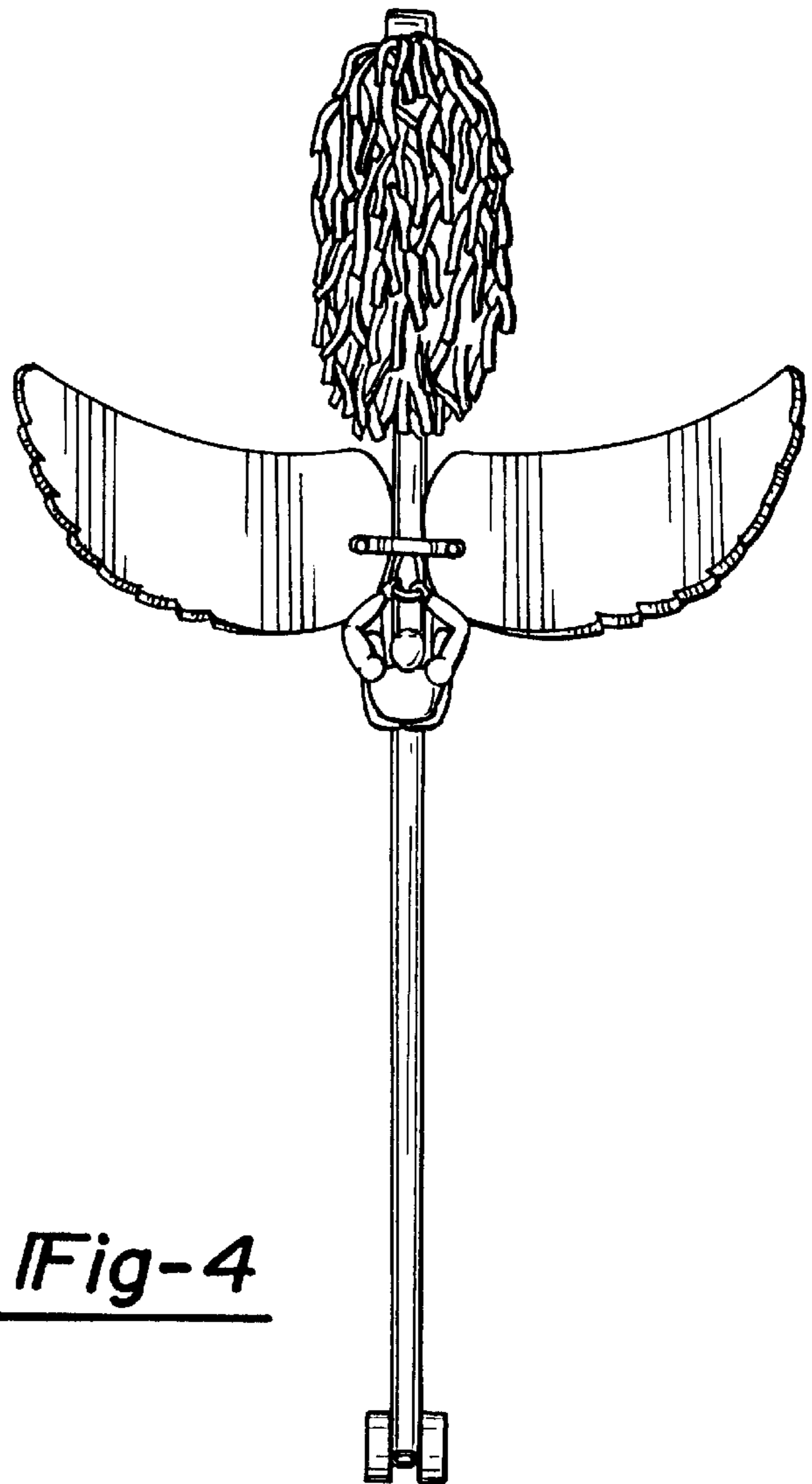


Fig-4

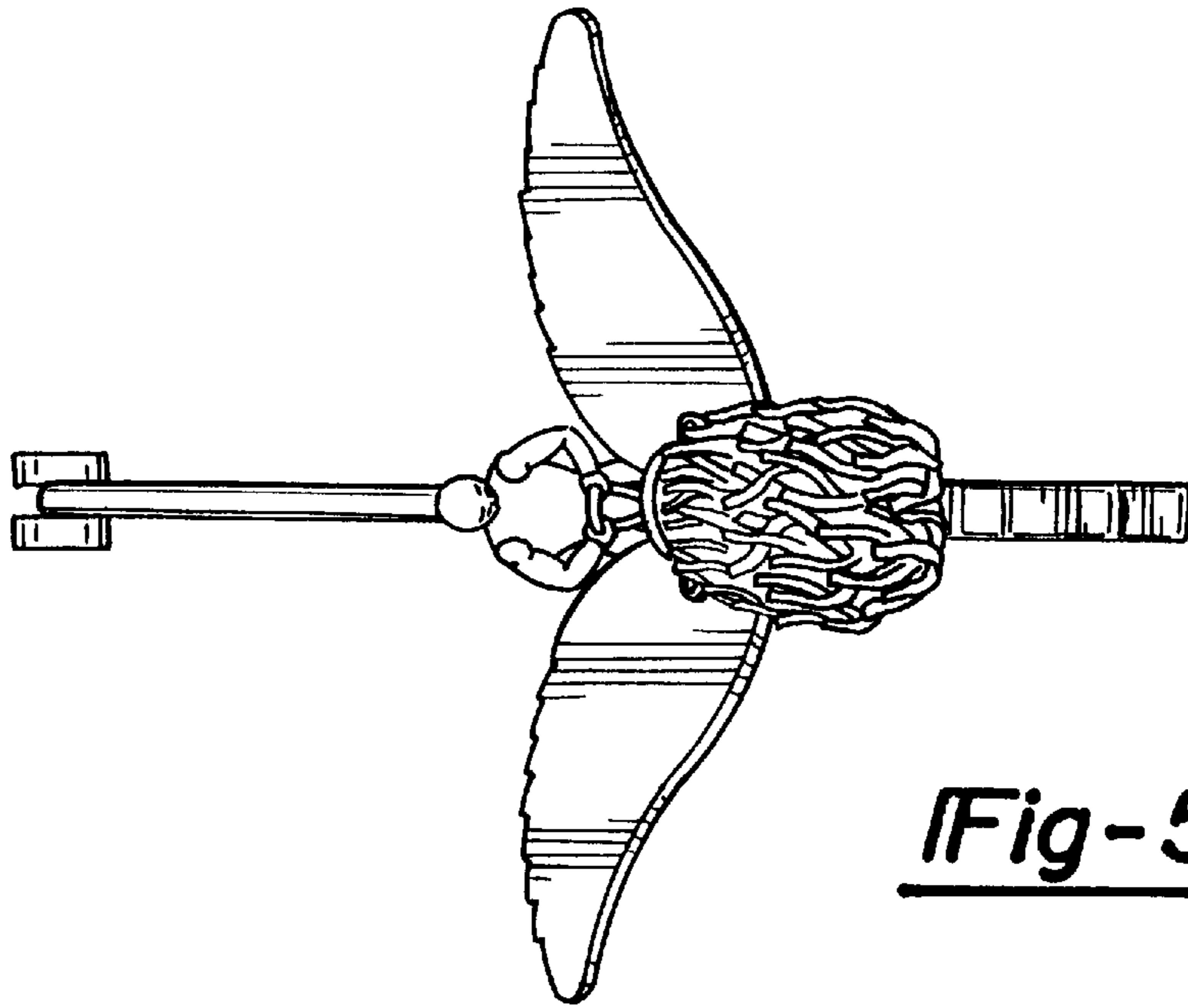


Fig-5

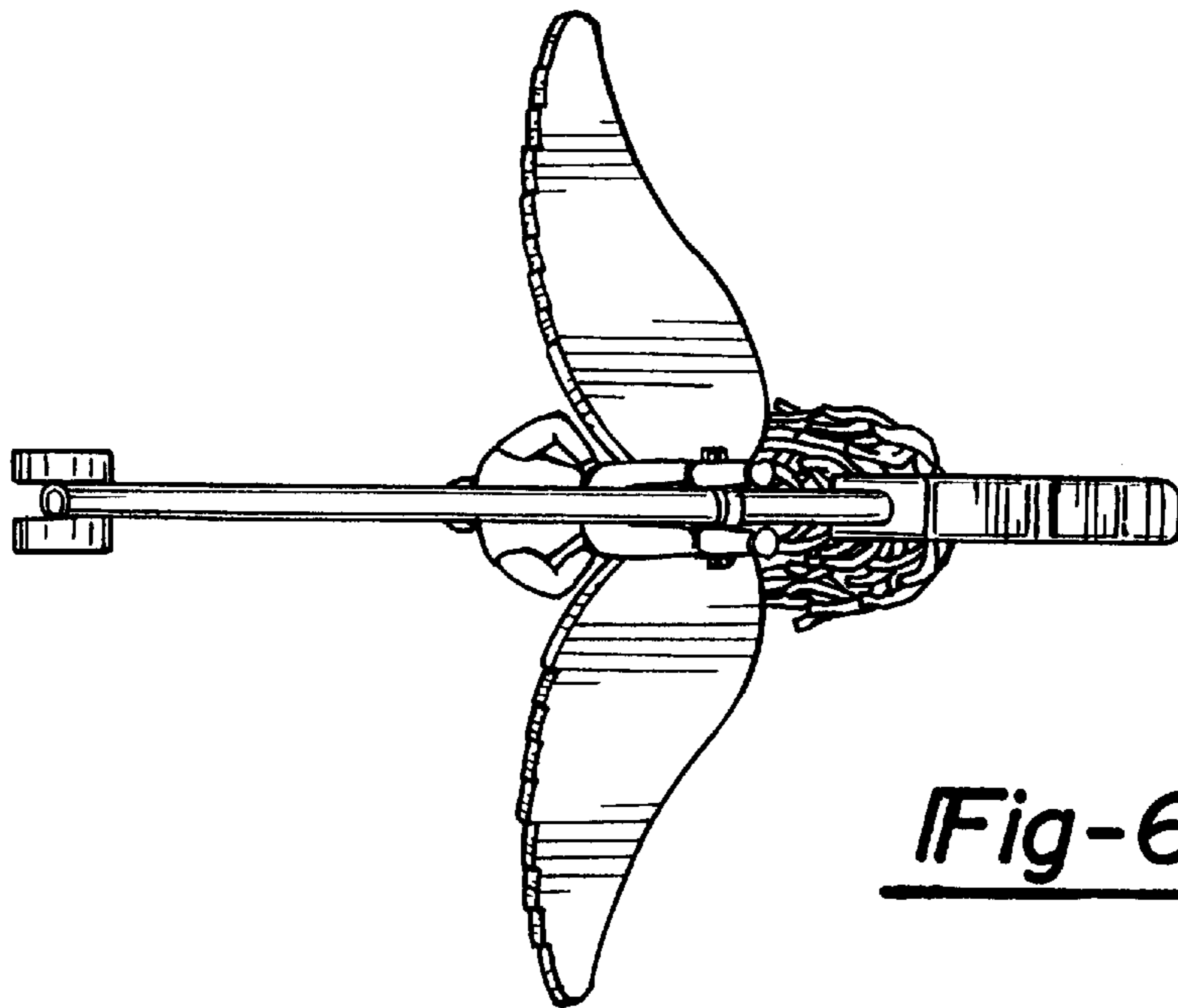


Fig-6