



US00D404760S

United States Patent [19]
Johnson, Jr.

[11] **Patent Number: Des. 404,760**
[45] **Date of Patent: **Jan. 26, 1999**

[54] **NOTEBOOK BINDER**

[75] Inventor: **John E. Johnson, Jr.**, Charlotte, N.C.

[73] Assignee: **Carolina Pad and Paper Co.**,
Charlotte, N.C.

[**] Term: **14 Years**

[21] Appl. No.: **83,595**

[22] Filed: **Feb. 12, 1998**

Related U.S. Application Data

[63] Continuation-in-part of Ser. No. 63,086, Nov. 26, 1996,
abandoned.

[51] **LOC (6) Cl.** **19-04**

[52] **U.S. Cl.** **D19/26; D19/27**

[58] **Field of Search** D19/26, 27, 32,
D19/86, 91, 99, 100; 281/15.1, 3.1, 21.1,
29, 30, 34, 19.1, 49, 51; 402/2, 4, 53, 60,
68, 75, 78, 79, 80 R

[56] **References Cited**

U.S. PATENT DOCUMENTS

D. 33,908	1/1901	Miller	D19/26
807,450	12/1905	Fieberg	402/53
2,741,495	4/1956	Gould	281/19.1
3,008,470	11/1961	Rubinstein	402/68
3,252,462	5/1966	Quarton et al.	D19/26 X
3,347,565	10/1967	Konkel	D19/26 X

Primary Examiner—Marite K. Hohje

Attorney, Agent, or Firm—Kennedy Covington Lobdell &
Hickman, LLP

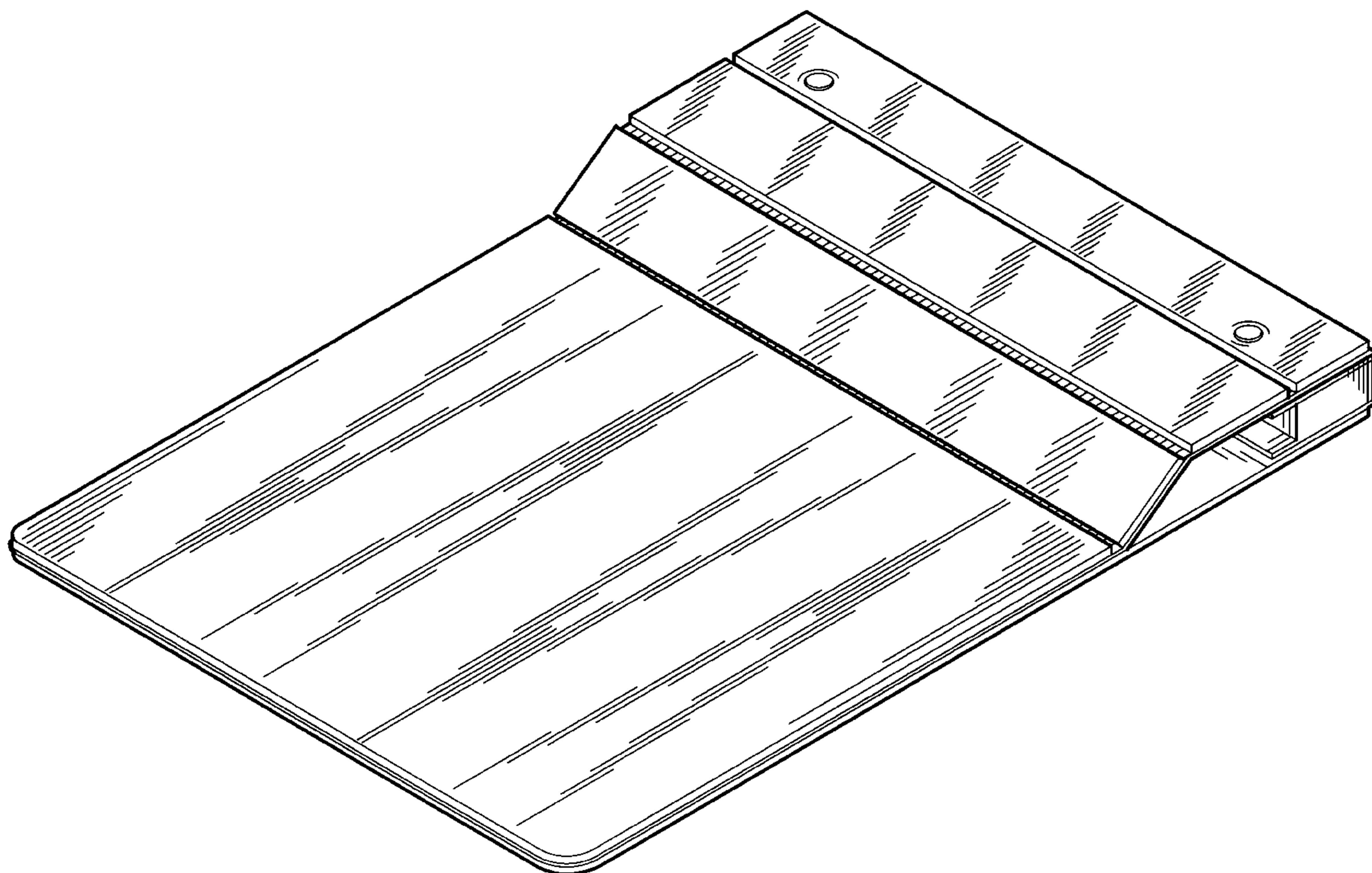
[57] **CLAIM**

The ornamental design for notebook binder, as shown and
described.

DESCRIPTION

FIG. 1 is a perspective view of a notebook binder according to my new design, shown in folded condition;
 FIG. 2 is a top plan view thereof;
 FIG. 3 is a right side view thereof, the left side view being identical in mirror image;
 FIG. 4 is a top end view thereof;
 FIG. 5 is a bottom end view thereof;
 FIG. 6 is another perspective view thereof, shown in unfolded condition;
 FIG. 7 is another top plan view thereof, shown in unfolded condition;
 FIG. 8 is a perspective view of a notebook binder according to a second embodiment of my new design, shown in folded condition;
 FIG. 9 is a top plan view thereof;
 FIG. 10 is a right side view thereof, the left side view being identical in mirror image;
 FIG. 11 is a top end view thereof;
 FIG. 12 is a bottom end view thereof;
 FIG. 13 is another perspective view thereof, shown in unfolded condition; and,
 FIG. 14 is another top plan view thereof, shown in unfolded condition.

1 Claim, 8 Drawing Sheets



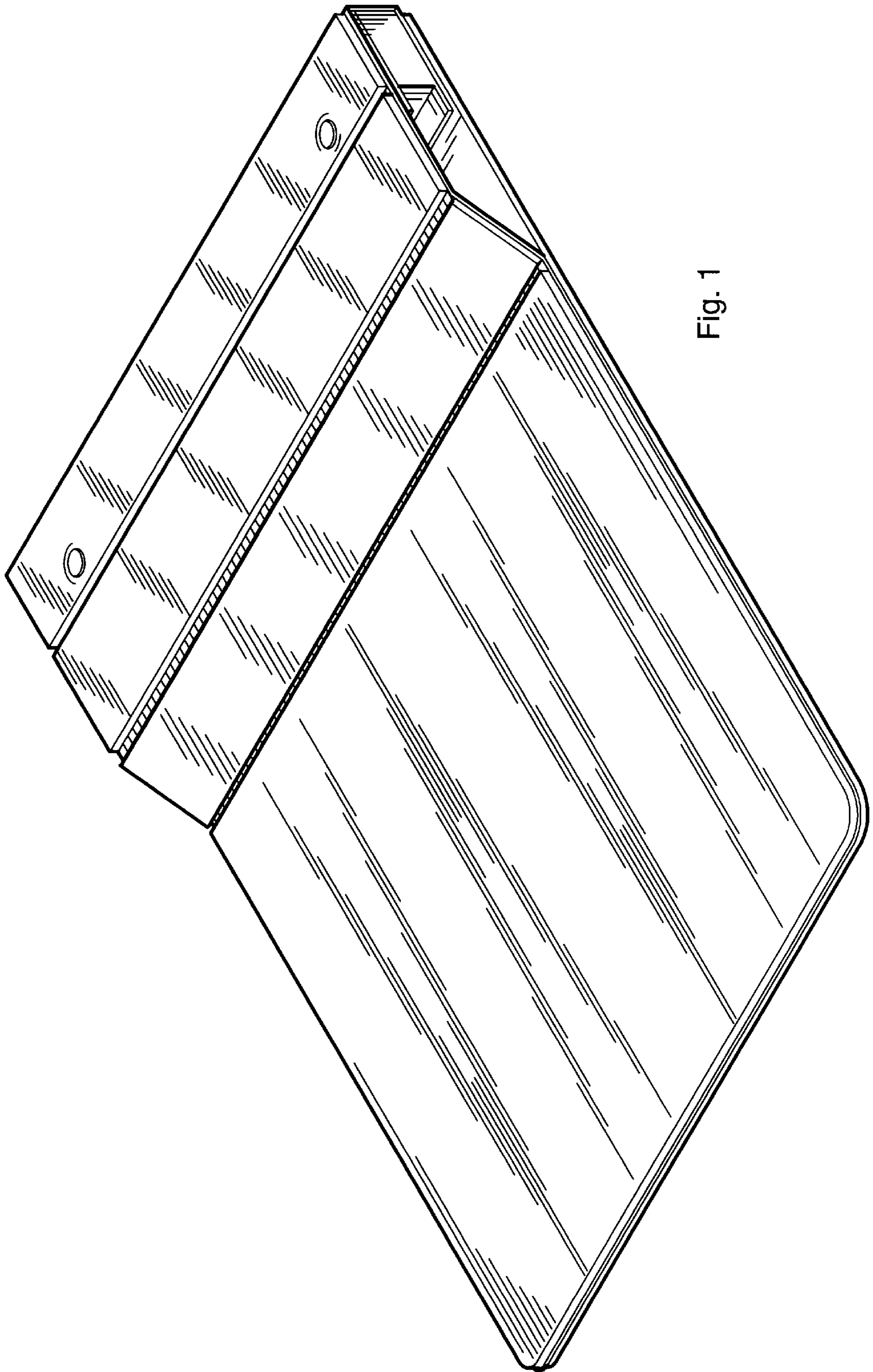


Fig. 1

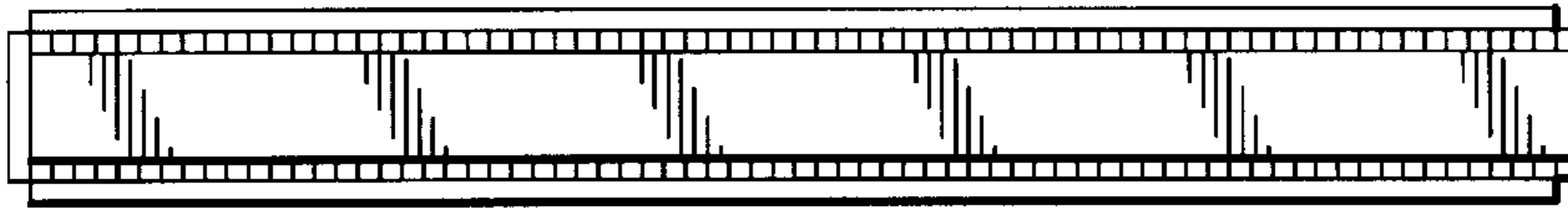


Fig. 4

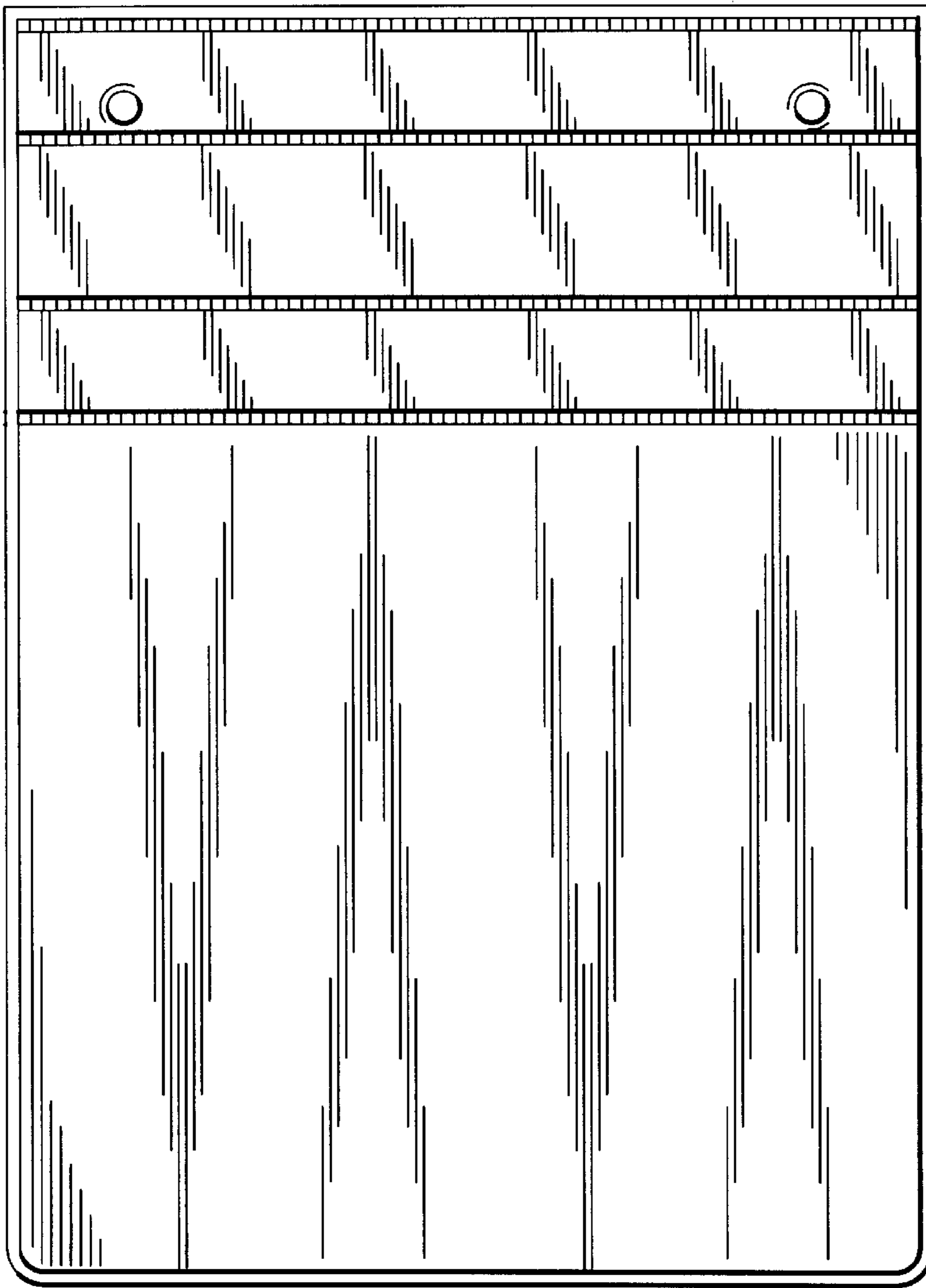


Fig. 2

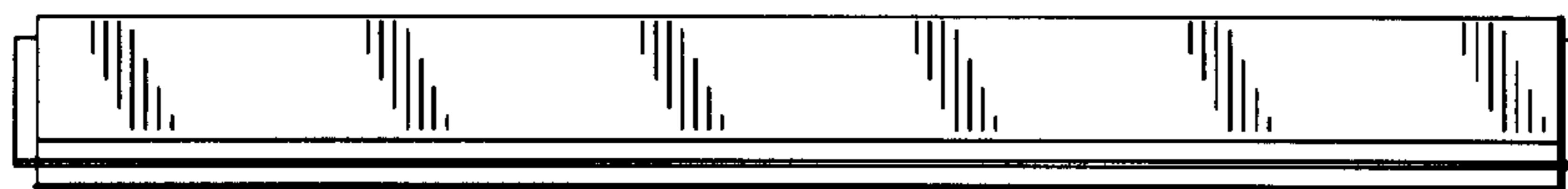


Fig. 5

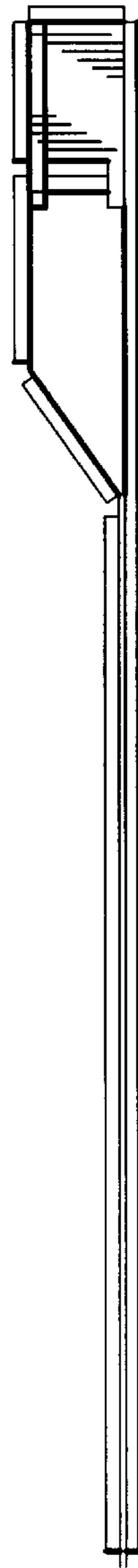


Fig. 3

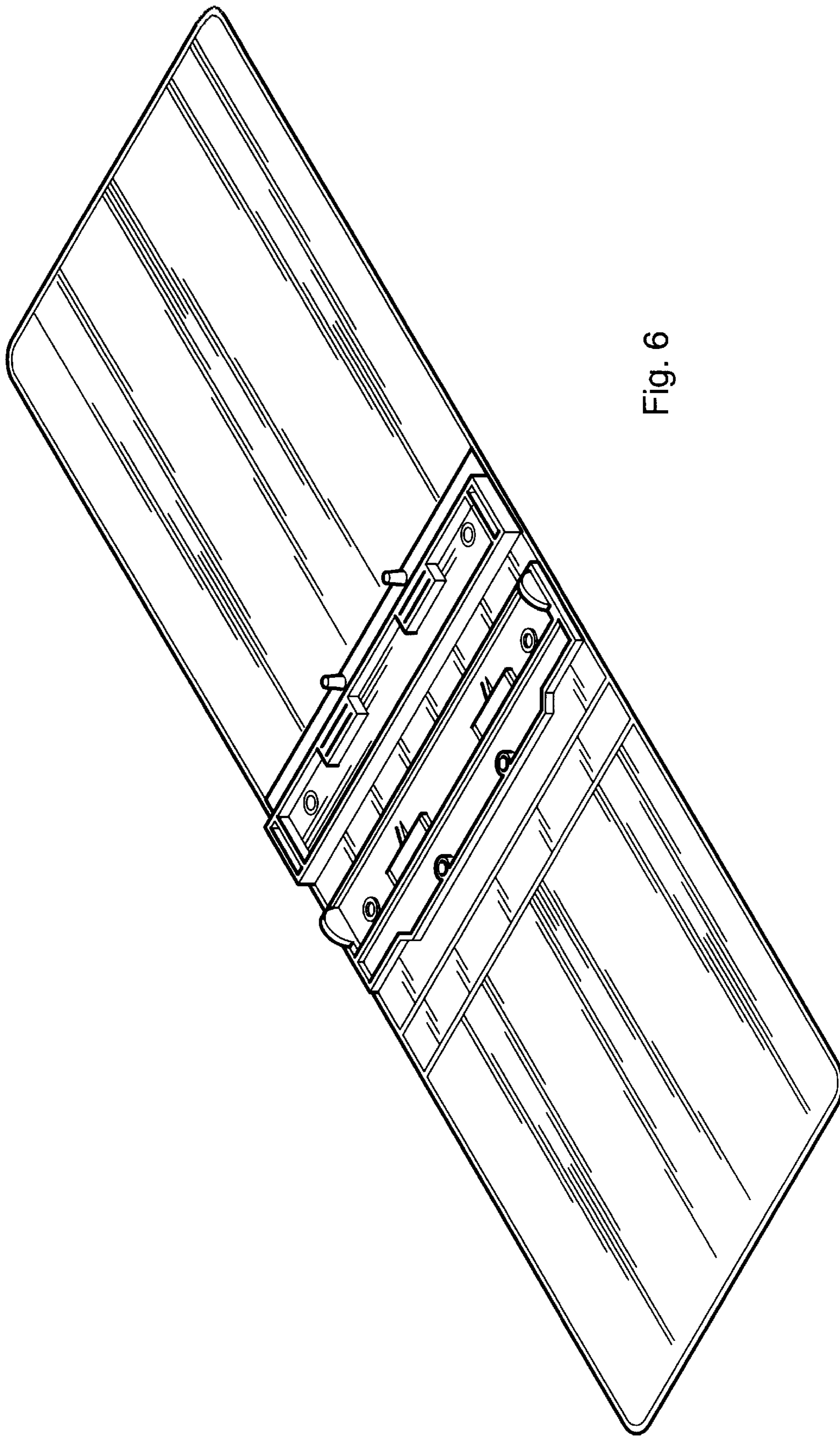


Fig. 6

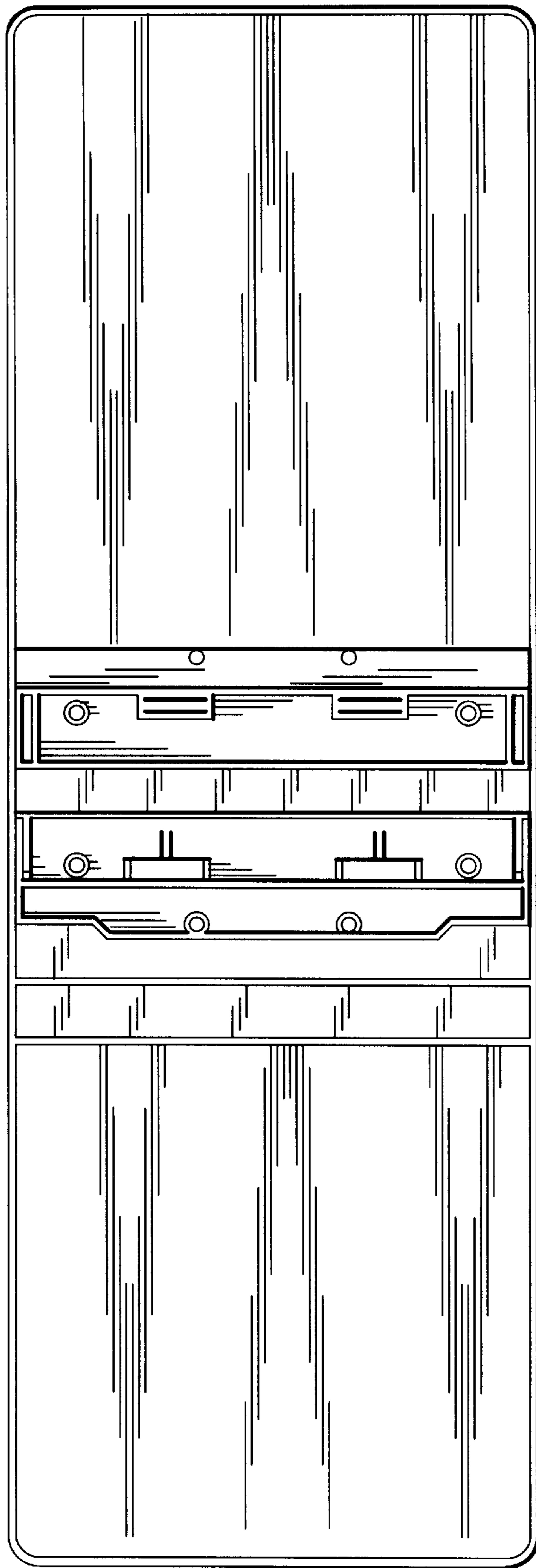


Fig. 7

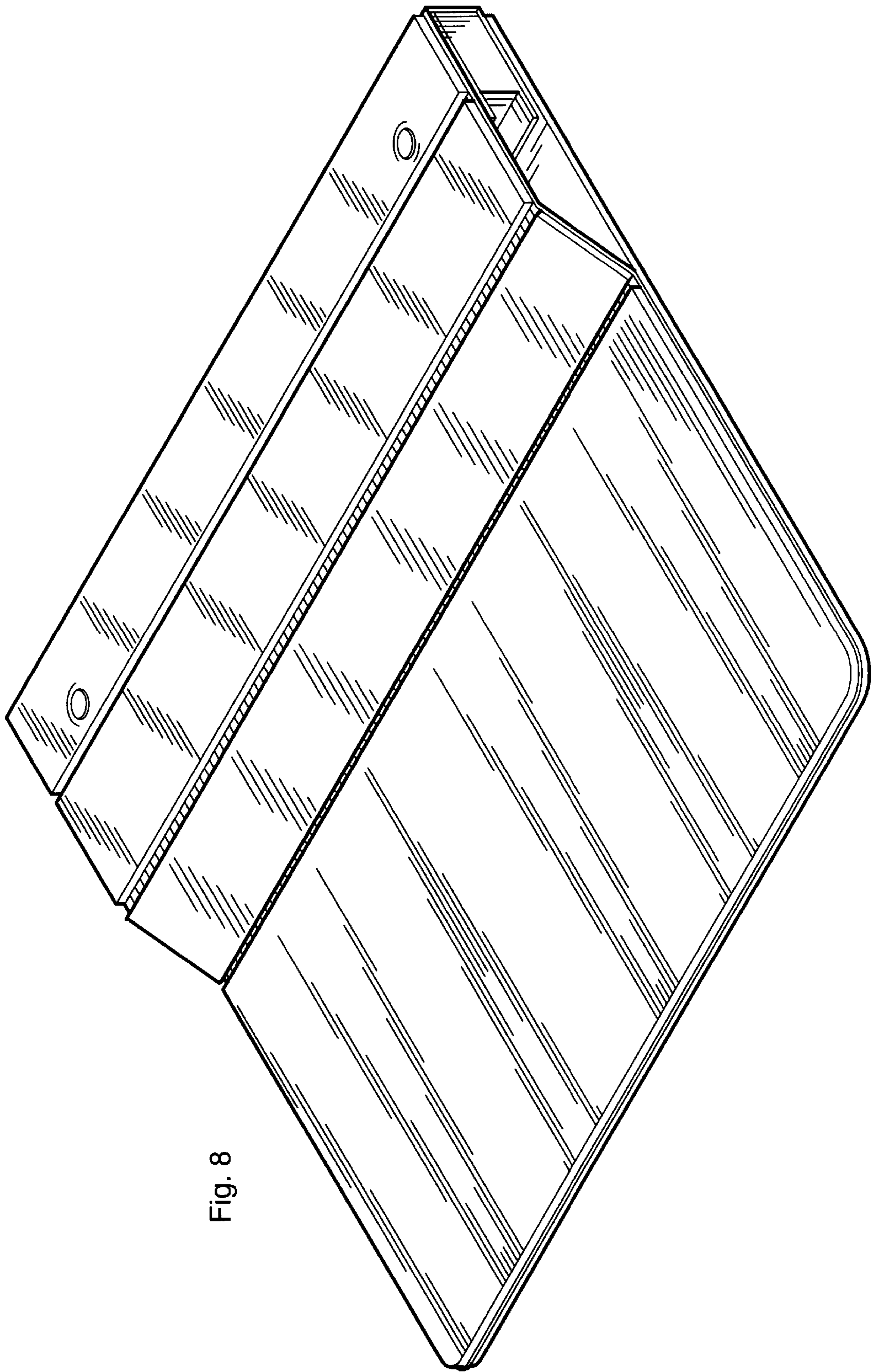


Fig. 8

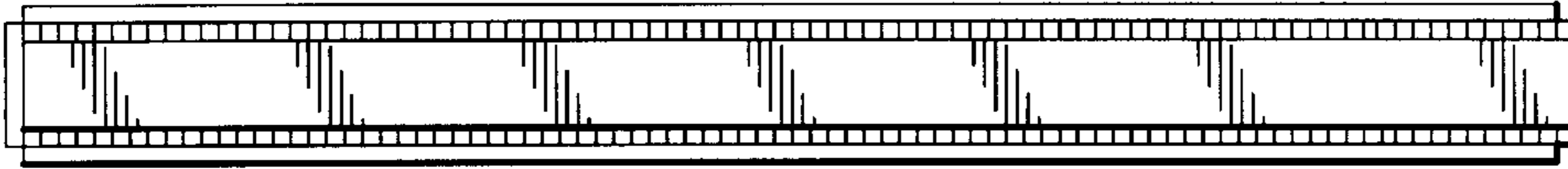


Fig. 11

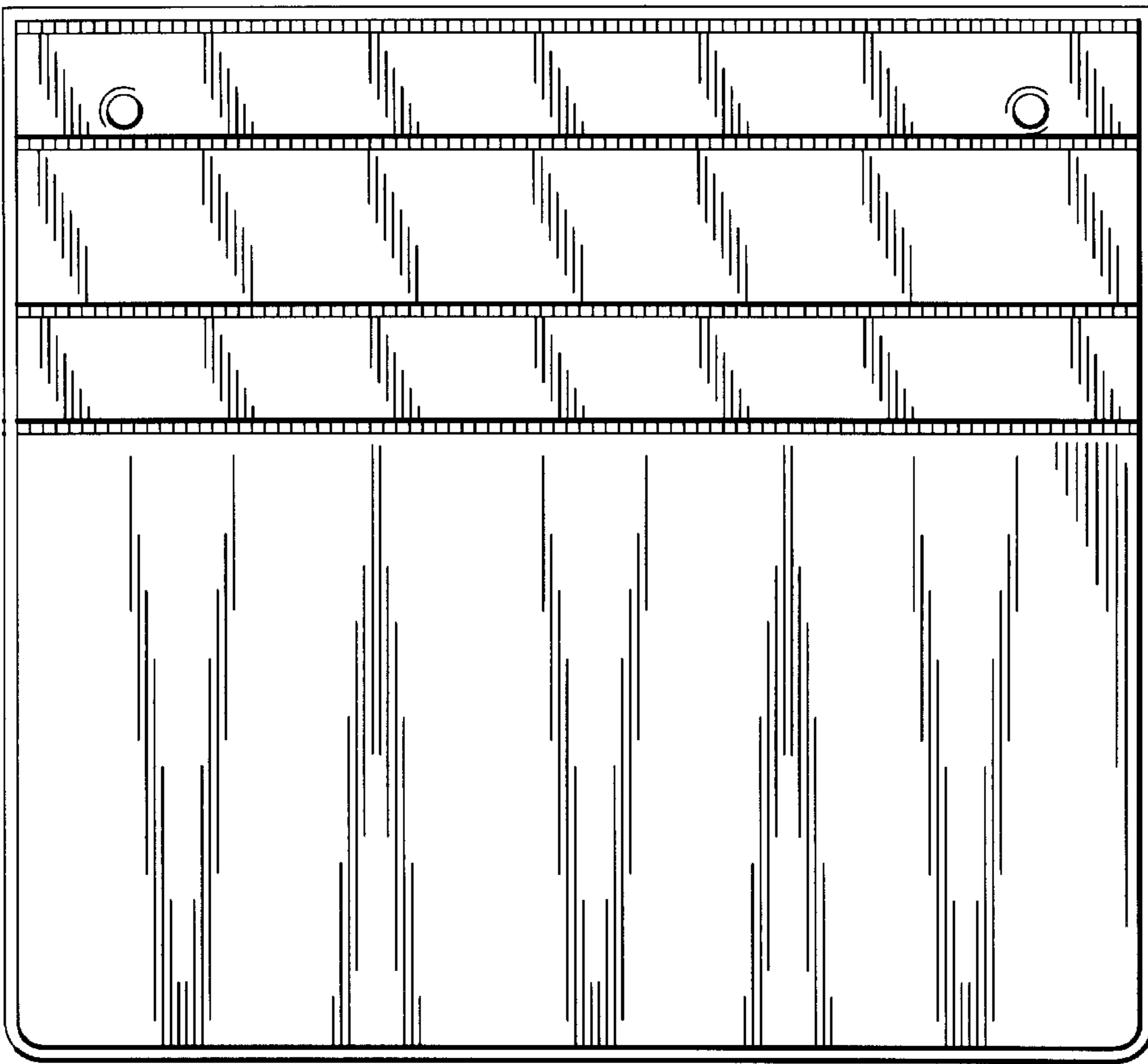


Fig. 9

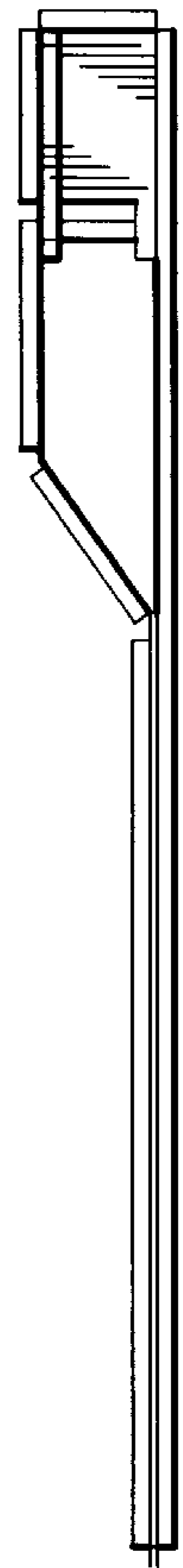


Fig. 10



Fig. 12

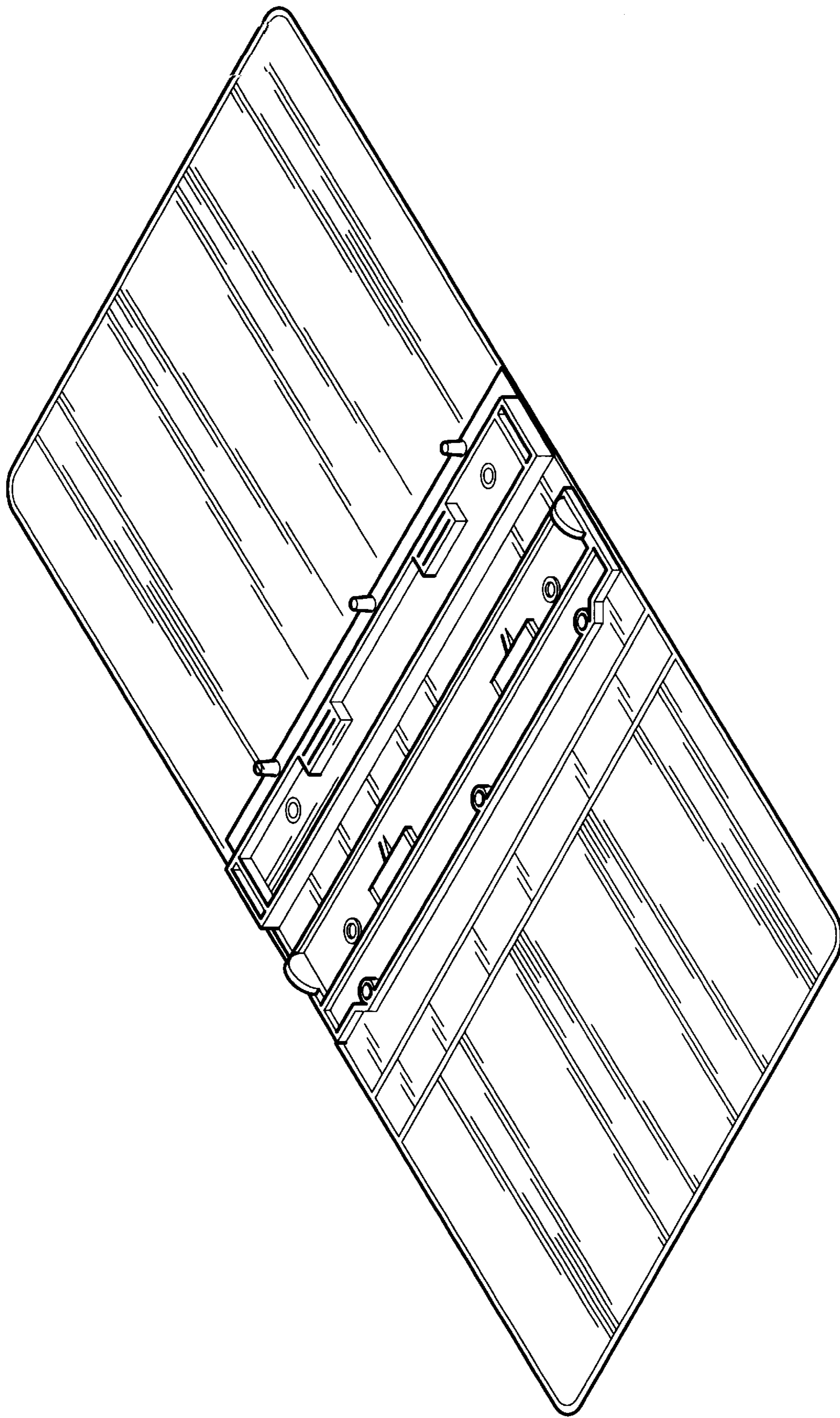


Fig.13

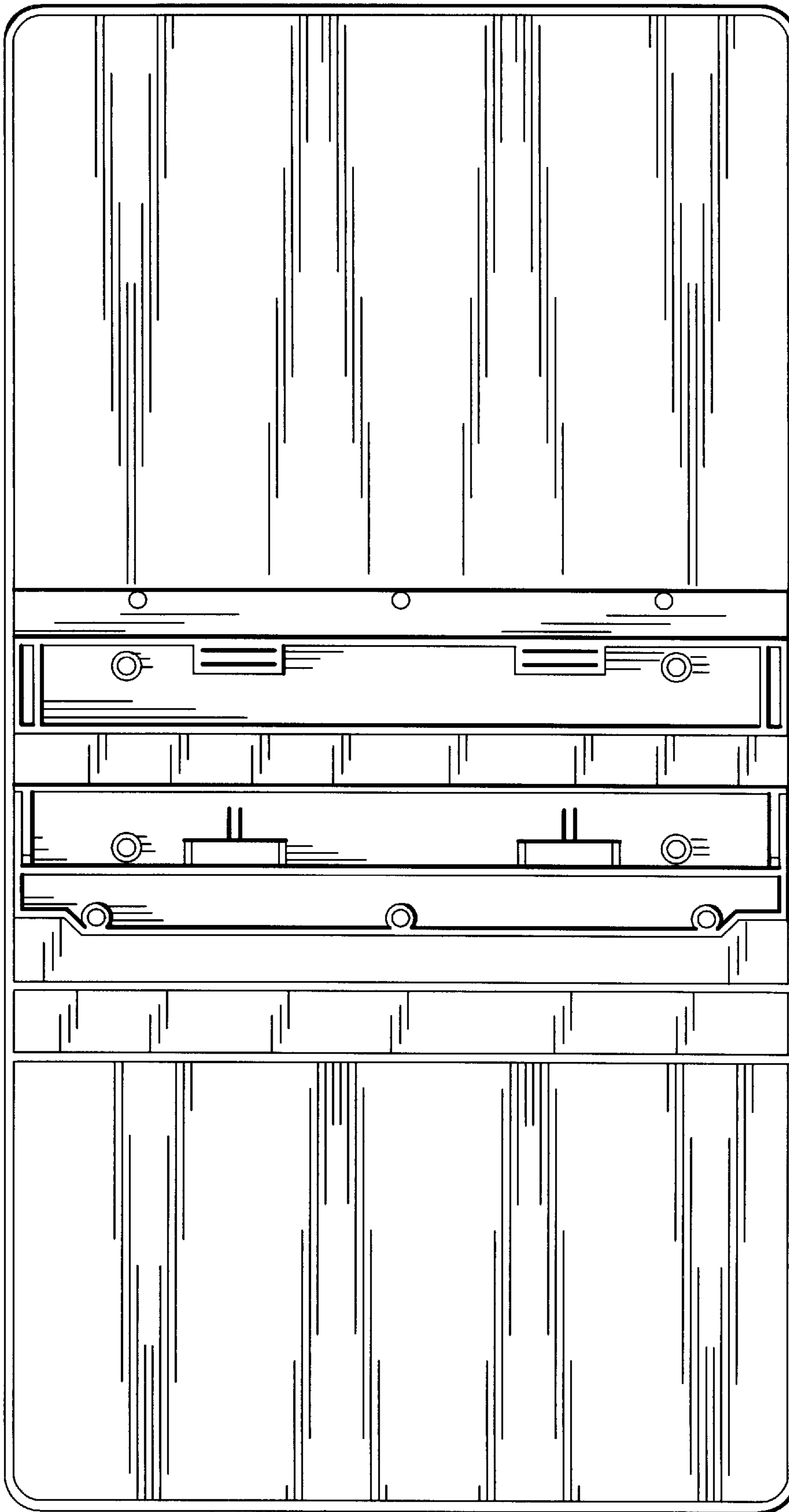


Fig. 14