



US00D404757S

United States Patent [19]

Victor

[11] Patent Number: **Des. 404,757**

[45] Date of Patent: *****Jan. 26, 1999**

[54] **PORTION OF A TONER CONTAINER FOR A COPYING MACHINE**

D. 344,284 2/1994 Suzuki et al. D18/43
D. 351,187 10/1994 Suga D18/43

[75] Inventor: **David P. Victor**, Mitchell, S. Dak.

Primary Examiner—Caron D. Veynar
Attorney, Agent, or Firm—Limbach & Limbach LLP

[73] Assignee: **Toshiba America Information Systems, Inc.**, Irvine, Calif.

[*] Notice: The portion of the term of this patent subsequent to Oct. 4, 2008, has been disclaimed.

[**] Term: **14 Years**

[57] CLAIM

The ornamental design for a portion of a toner container for a copying machine, as shown and described.

[21] Appl. No.: **37,500**

[22] Filed: **Apr. 14, 1995**

DESCRIPTION

[51] **LOC (6) Cl.** **16-03**

[52] **U.S. Cl.** **D18/43**

[58] **Field of Search** D18/43, 22, 40, D18/56; D9/500, 503, 545, 549, 552, 555, 558, 565; 118/657, 653; 141/1; 206/216, 316, 446, 461, 467; 222/DIG. 1, 166, 240, 325, 541; 355/200, 245, 260, 298

FIG. 1 is a front elevational view of a portion of a toner container for a copying machine, showing my design; the back elevational view is the same;

FIG. 2 is a right side elevational view thereof;

FIG. 3 is a left side elevational view thereof;

FIG. 4 is an enlarged cross-sectional view thereof; and,

FIG. 5 is an enlarged cross-sectional view thereof, taken along line 5—5 of FIG. 2.

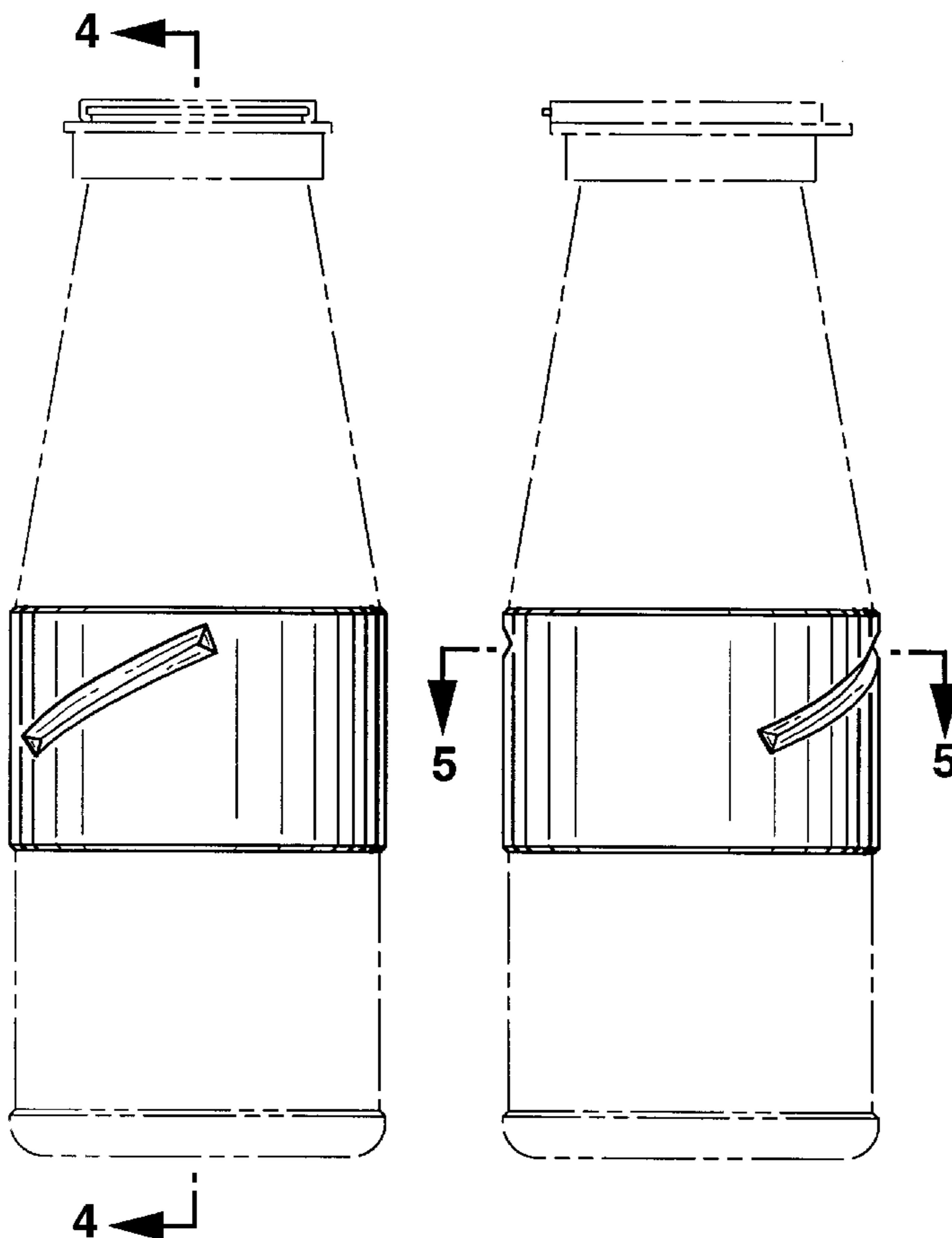
The broken lines which define the bounds of the claimed design form no part thereof.

[56] References Cited

U.S. PATENT DOCUMENTS

D. 332,280 1/1993 Yoshida et al. D18/43

1 Claim, 2 Drawing Sheets



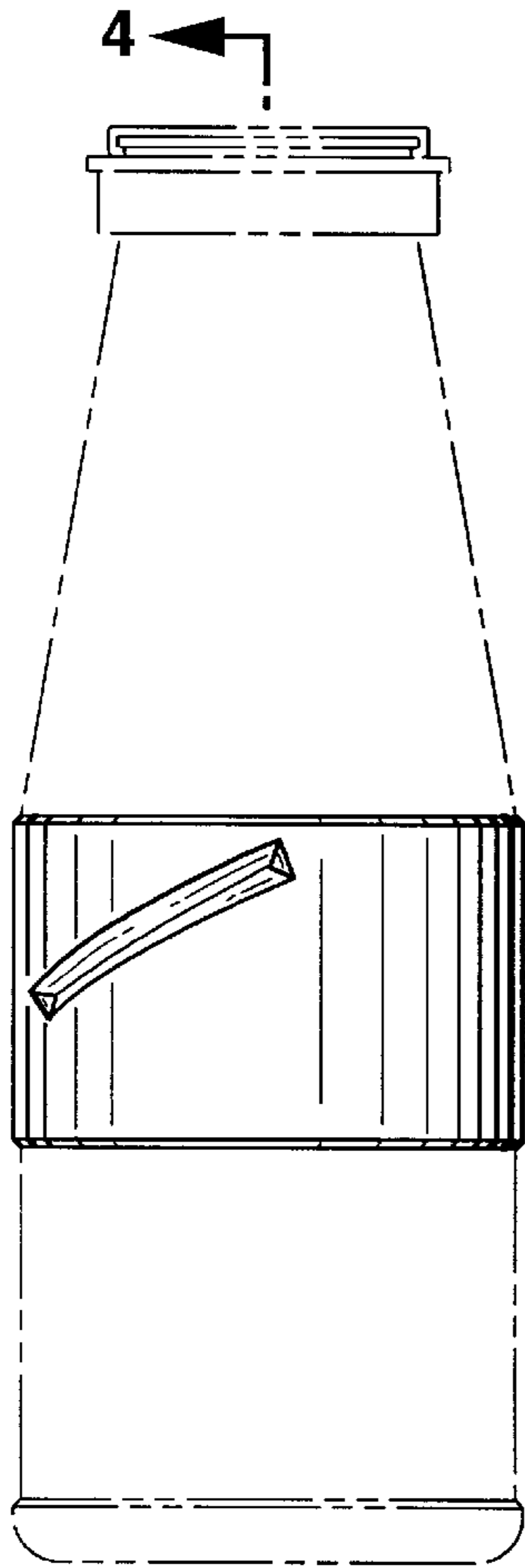


FIG. 1

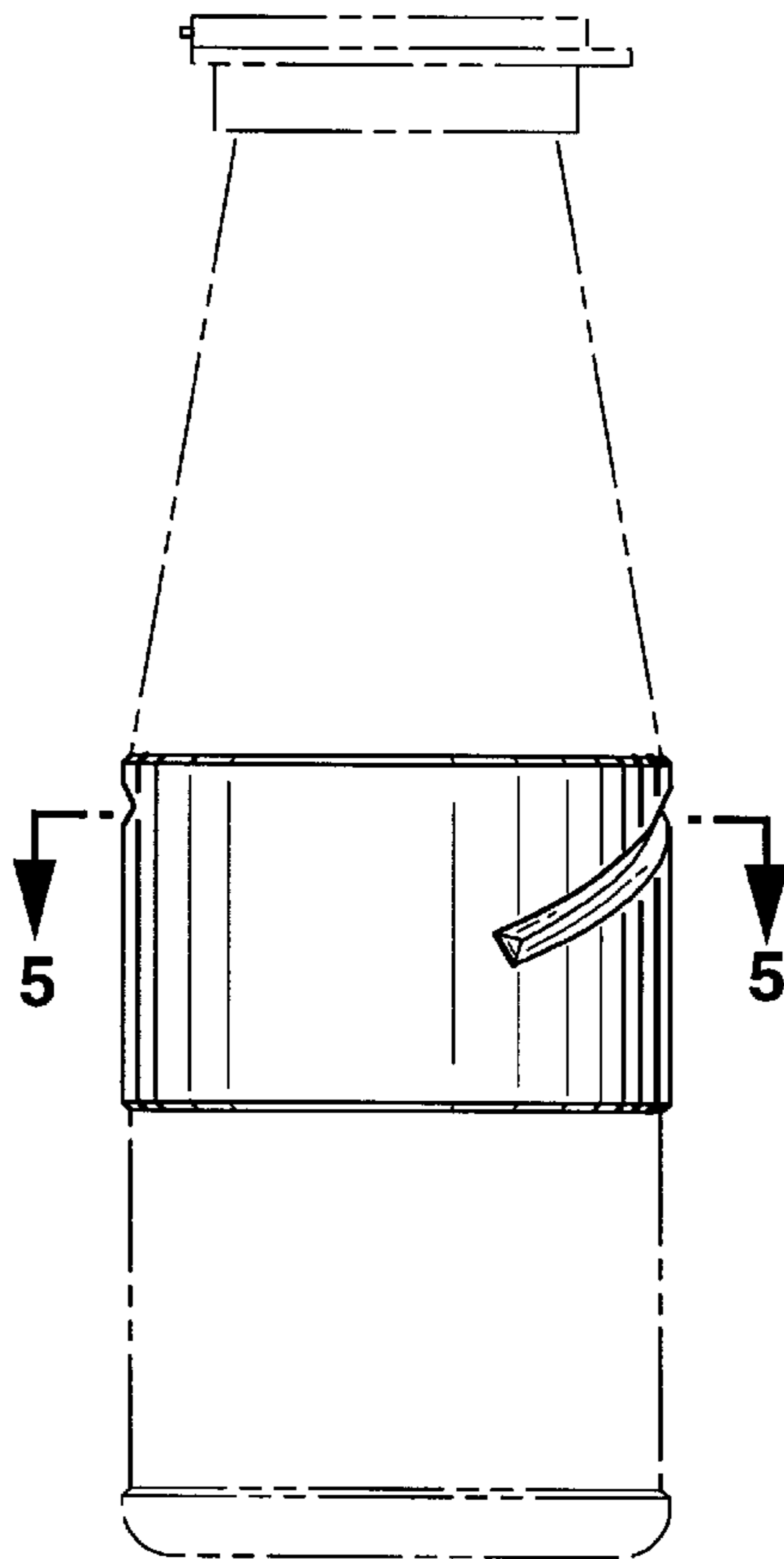


FIG. 2

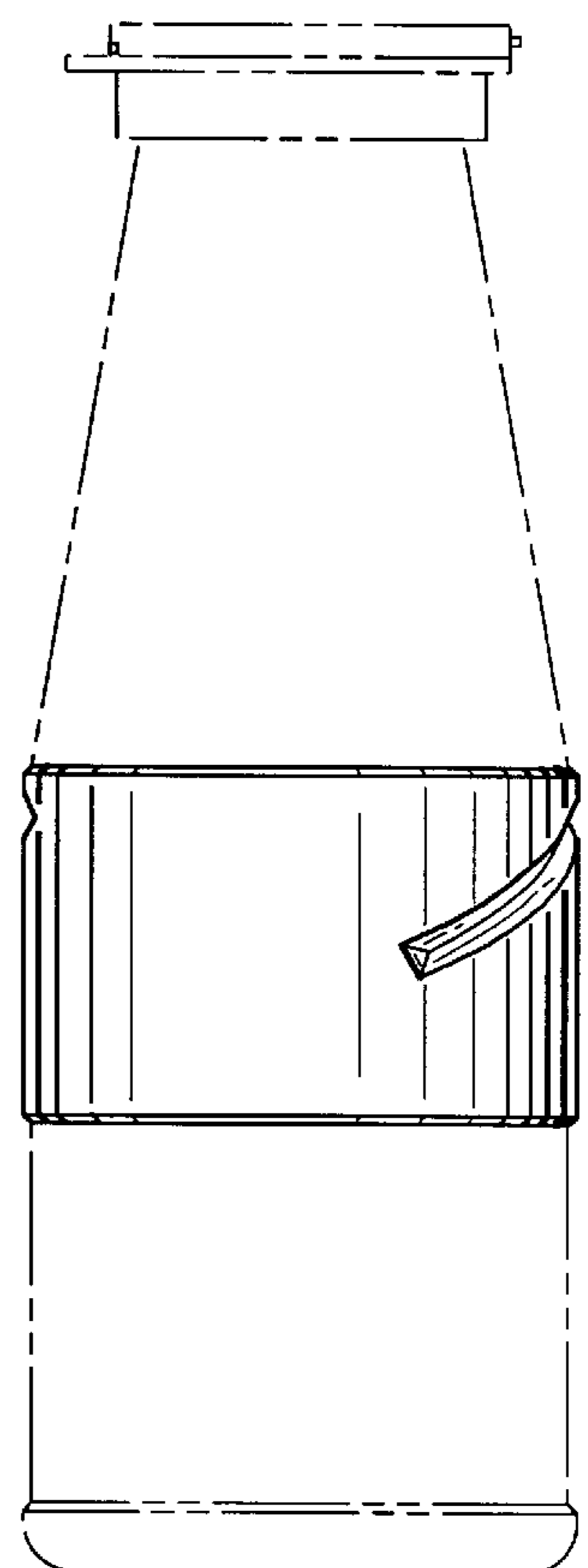


FIG. 3

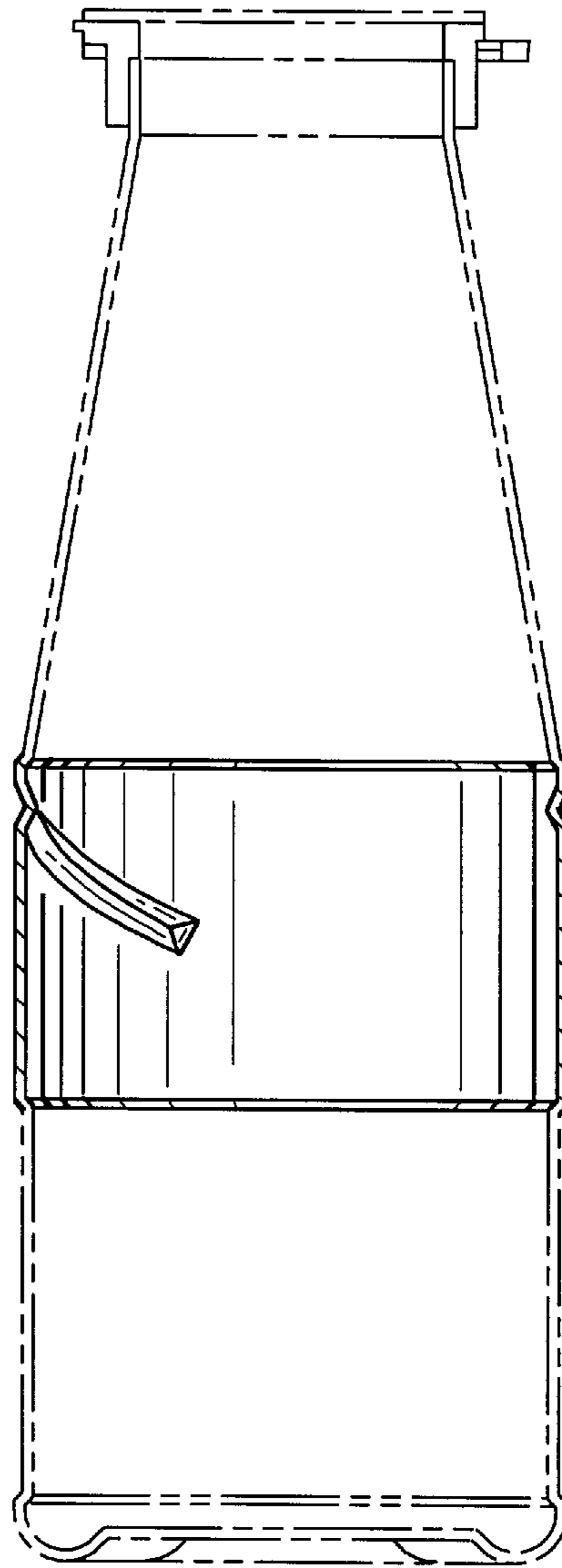


FIG. 4

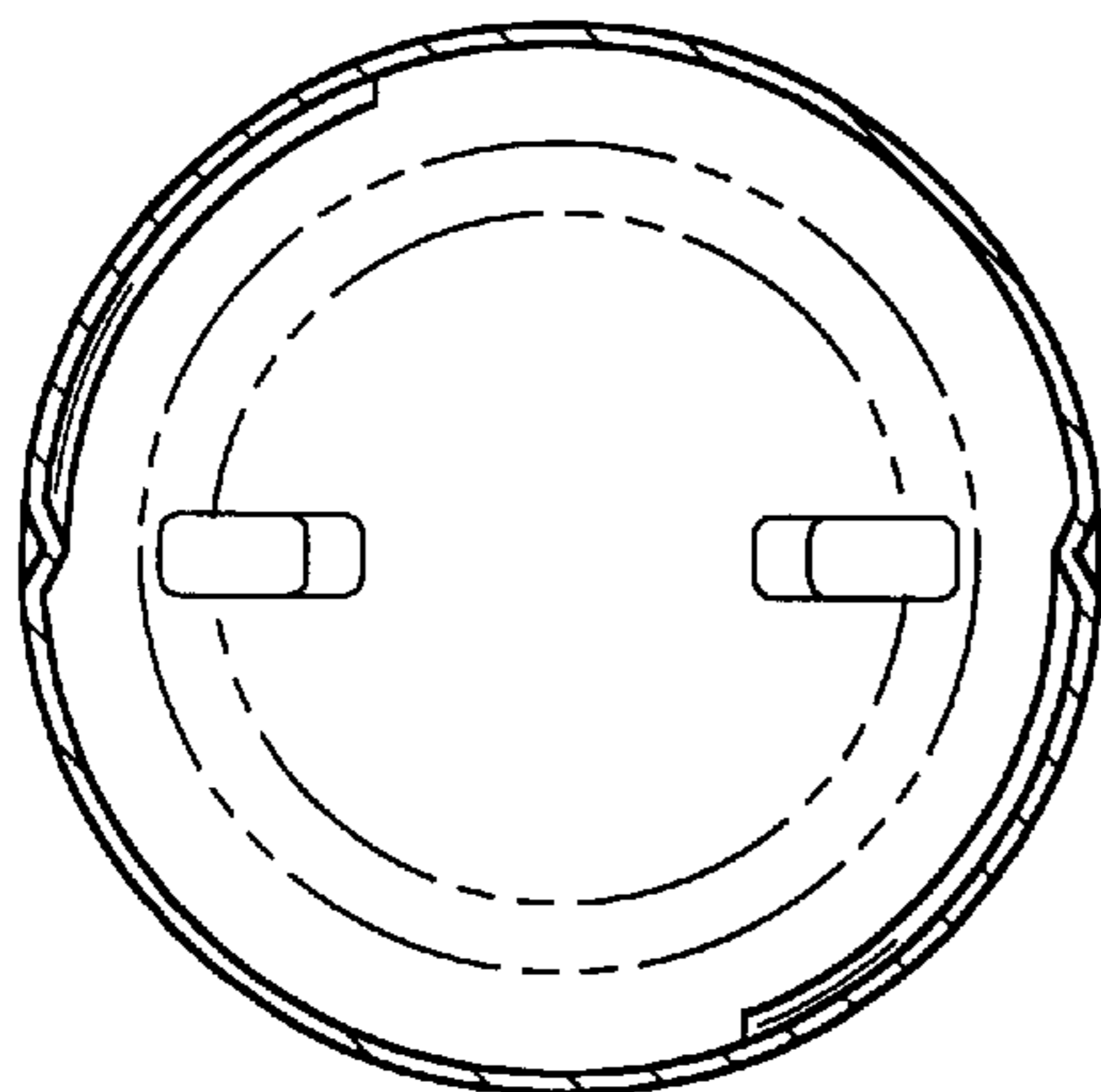


FIG. 5