



US00D404751S

United States Patent [19] Takaba

[11] Patent Number: **Des. 404,751**

[45] Date of Patent: ****Jan. 26, 1999**

[54] CAMERA

[75] Inventor: **Tetsufumi Takaba**, Hino, Japan

[73] Assignee: **Konica Corporation**, Tokyo, Japan

[**] Term: **14 Years**

[21] Appl. No.: **86,429**

[22] Filed: **Apr. 13, 1998**

[30] **Foreign Application Priority Data**

Oct. 20, 1997 [JP] Japan 9-72038

[51] **LOC (6) Cl.** **16-01**

[52] **U.S. Cl.** **D16/209; D16/218**

[58] **Field of Search** **D16/200-205,
D16/208, 209; 396/535-543**

[56] **References Cited**

U.S. PATENT DOCUMENTS

D. 369,820	5/1996	Chapman	D16/209
D. 380,002	6/1997	Schelling	D16/209
D. 386,773	11/1997	Smithborne	D16/209
5,619,295	4/1997	Seya et al.	396/535

Primary Examiner—Philip S. Hyder
Assistant Examiner—Adir Aronovich

Attorney, Agent, or Firm—Frishauf, Holtz, Goodman,
Langer & Chick

[57] **CLAIM**

The ornamental design for a camera, as shown and described.

DESCRIPTION

FIG. 1 is a front elevational view of a camera showing my new design;

FIG. 2 is a rear elevational view thereof;

FIG. 3 is a left side view thereof;

FIG. 4 is a right side view thereof;

FIG. 5 is a top plan view thereof;

FIG. 6 is a bottom plan view thereof;

FIG. 7 is a front, right side and top perspective view thereof;

FIG. 8 is a rear, left side and top perspective view thereof;

FIG. 9 is a front elevational view of a modified embodiment thereof;

FIG. 10 is a rear elevational view thereof;

FIG. 11 is a left side view thereof;

FIG. 12 is a right side view thereof;

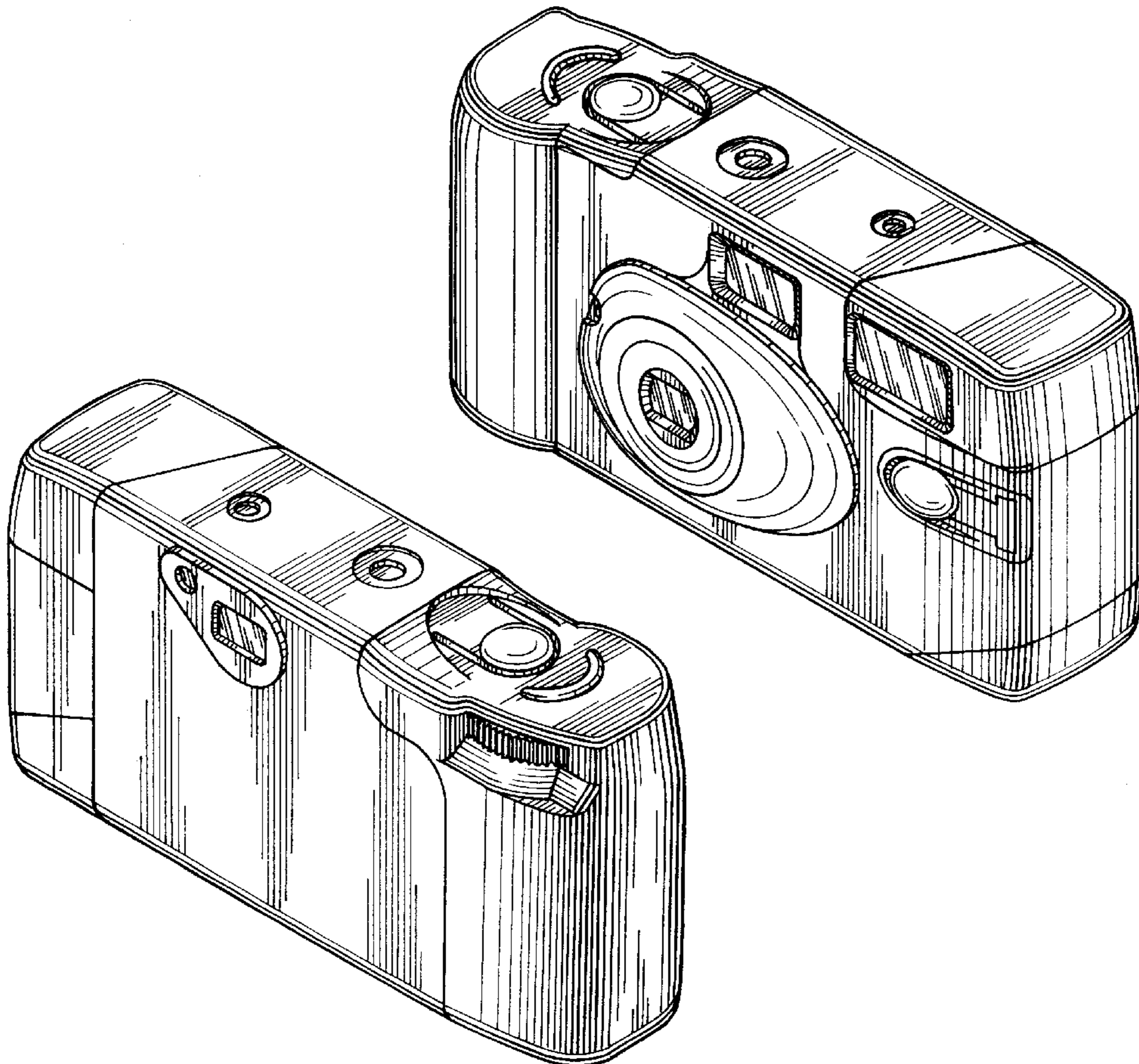
FIG. 13 is a top plan view thereof;

FIG. 14 is a bottom plan view thereof;

FIG. 15 is a front, right side and top perspective view thereof; and,

FIG. 16 is a rear, left side and top perspective view thereof.

1 Claim, 4 Drawing Sheets



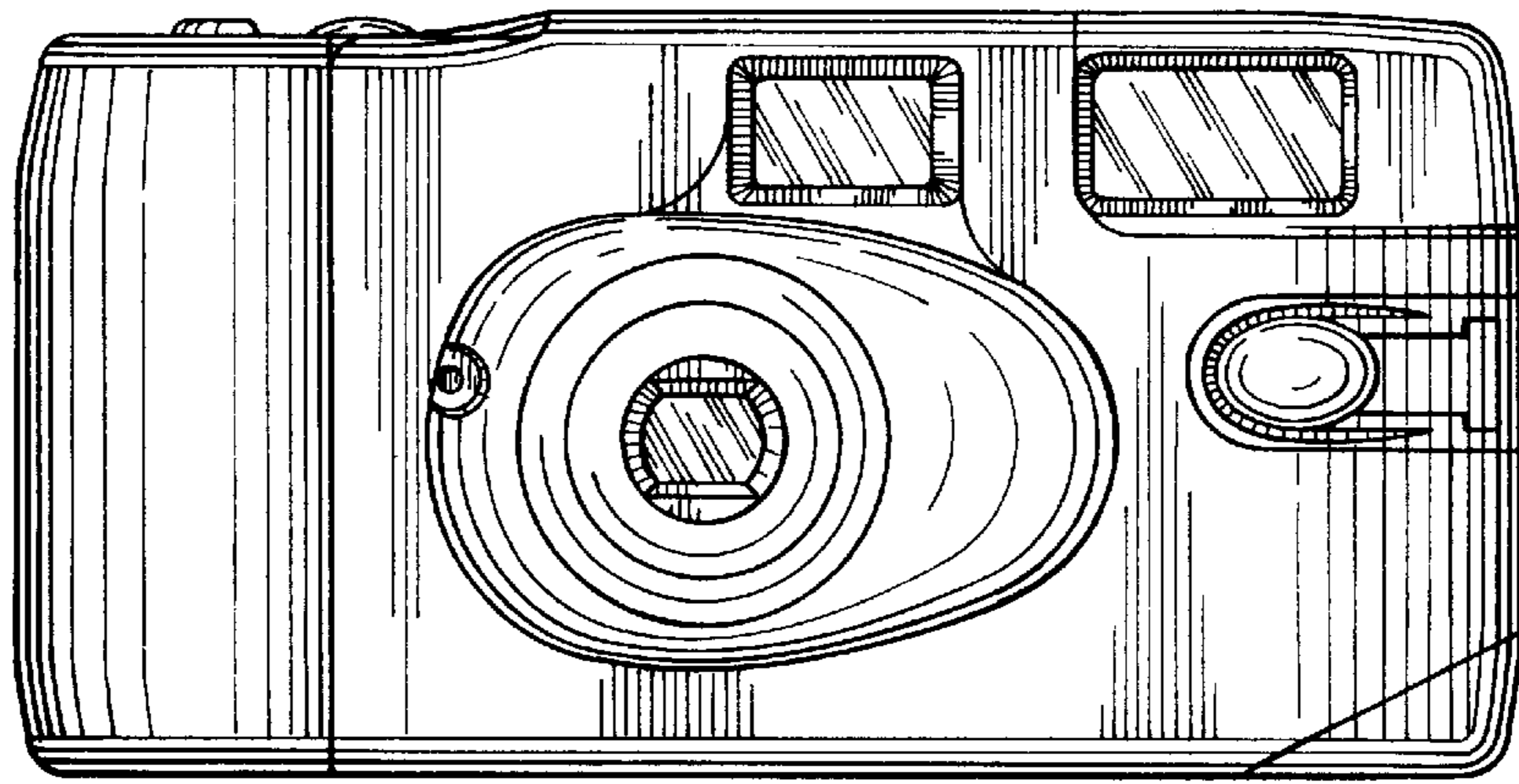


Fig. 1

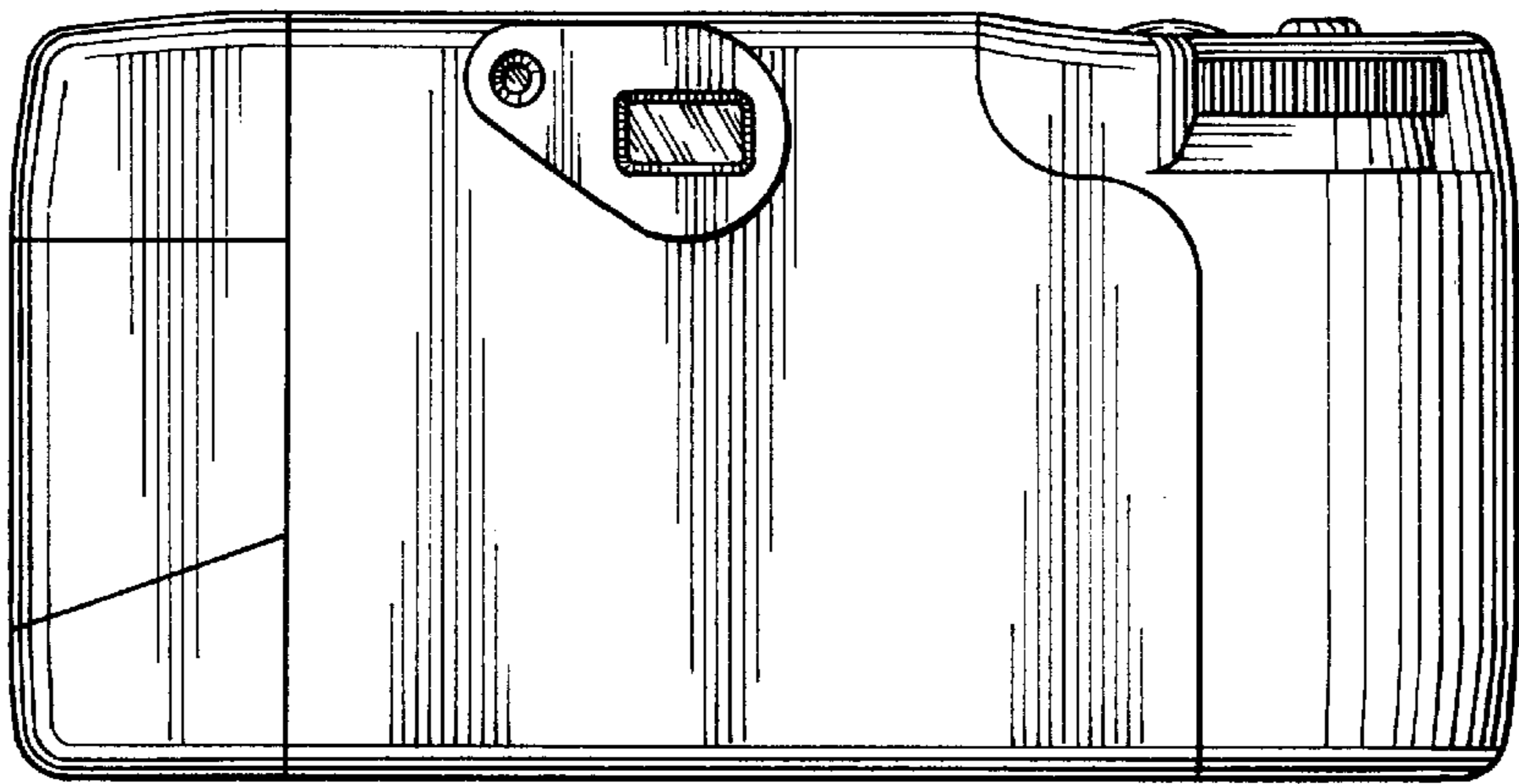


Fig. 2

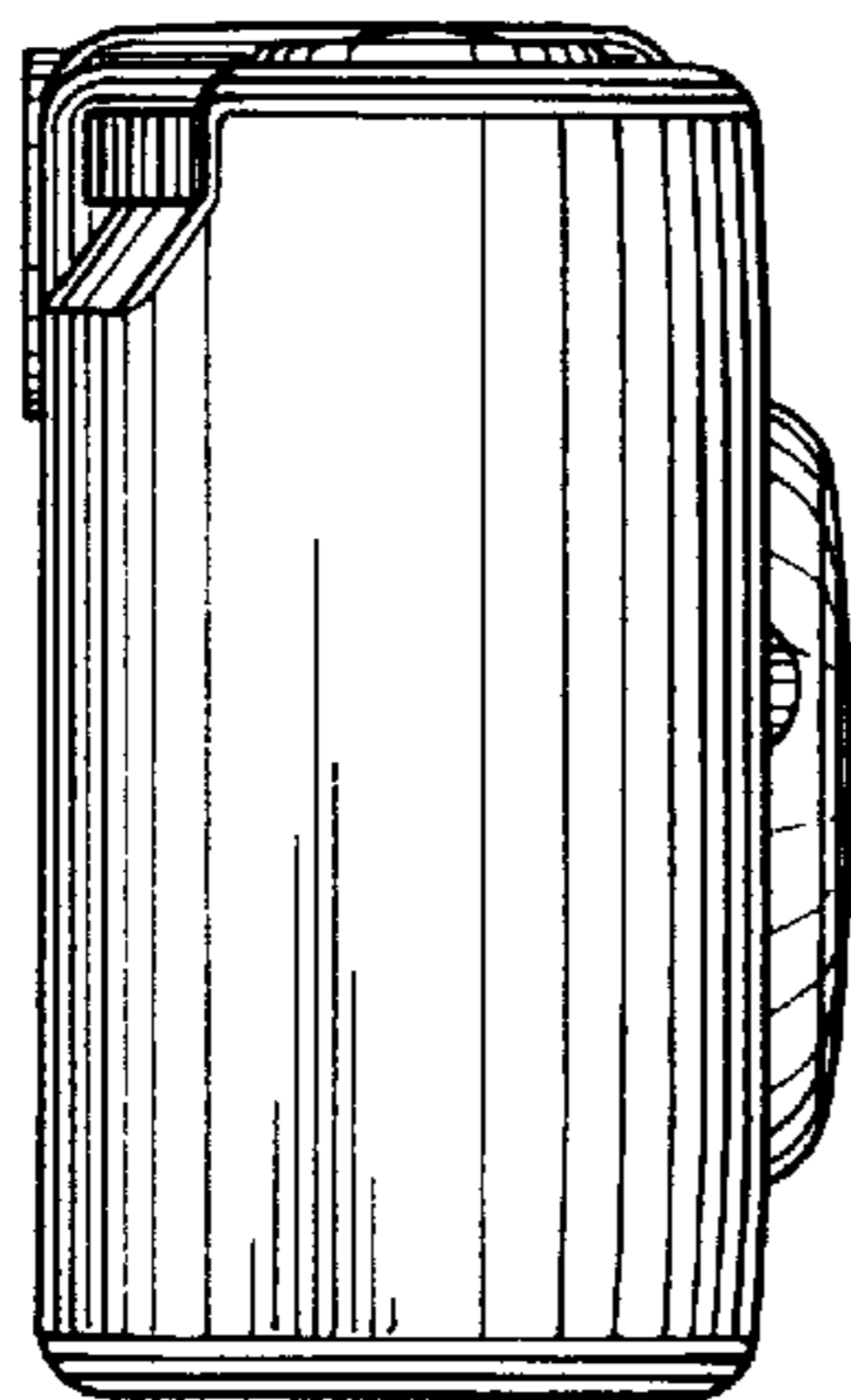


Fig. 3

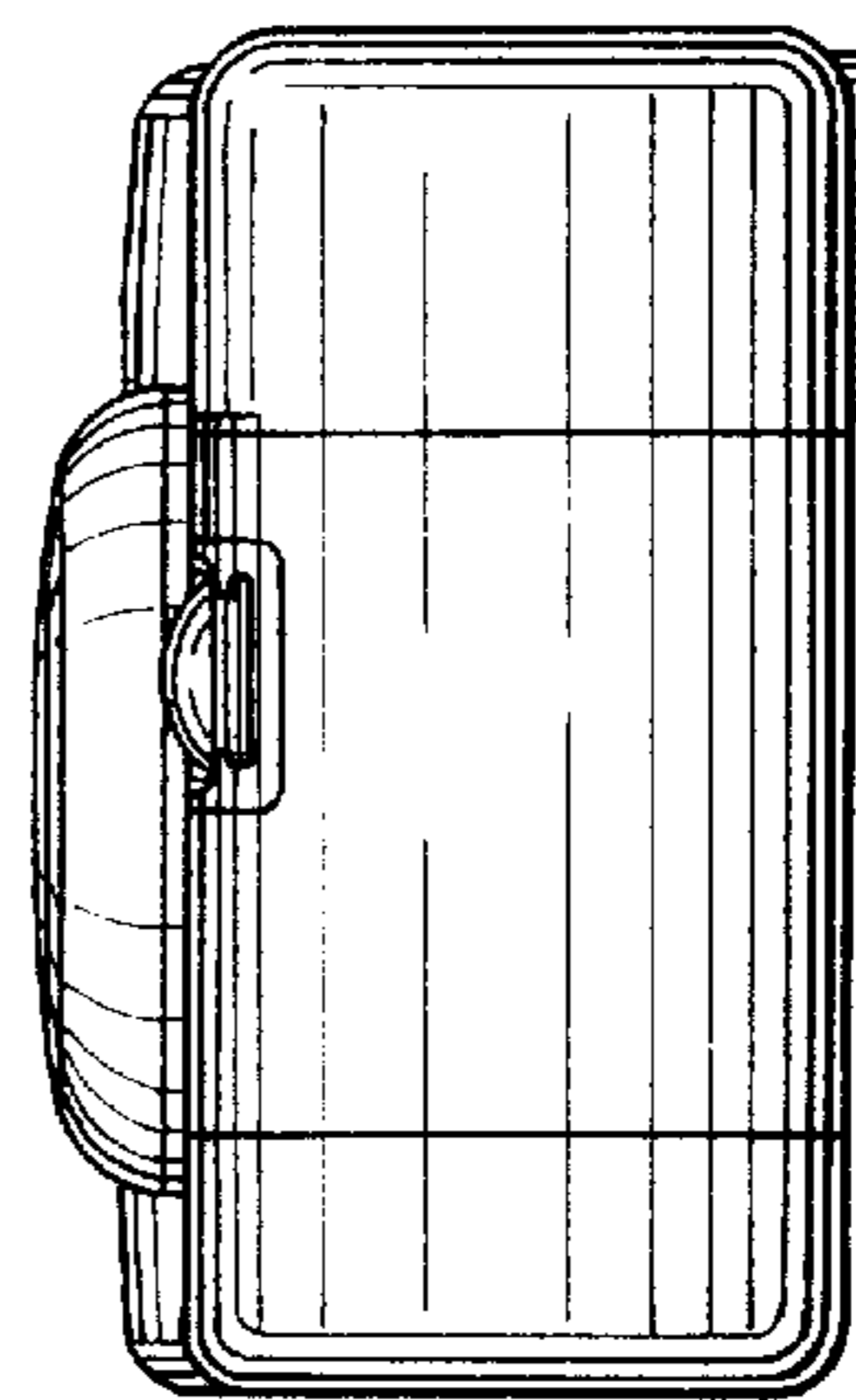


Fig. 4

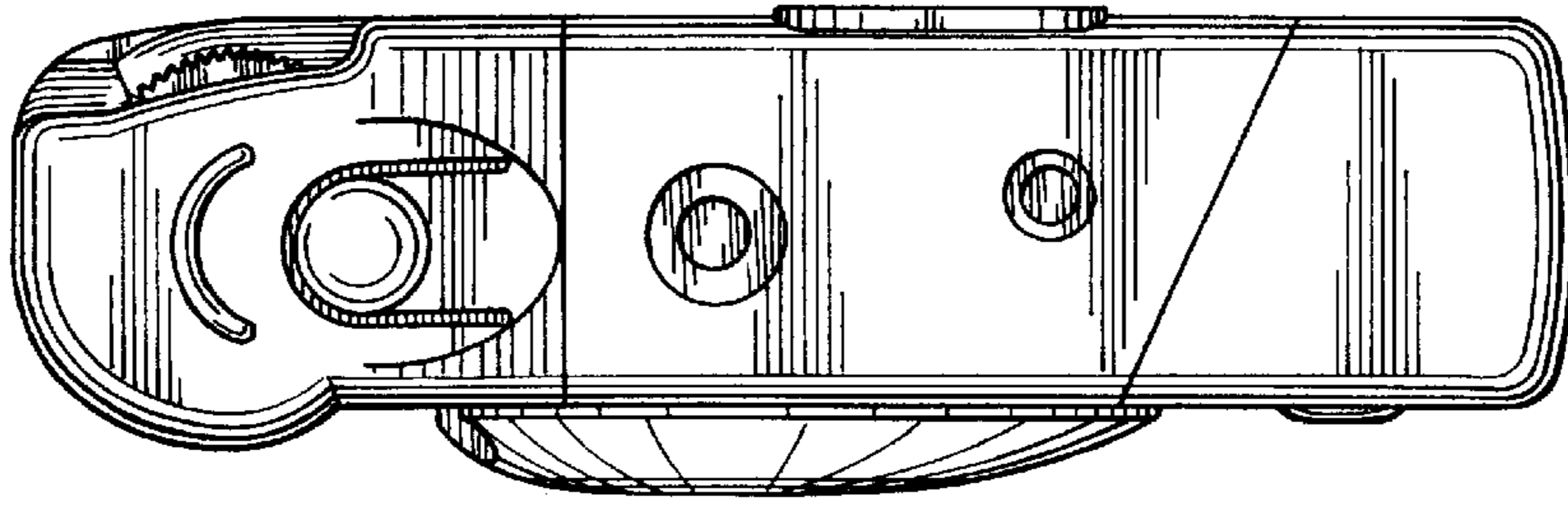


Fig. 5

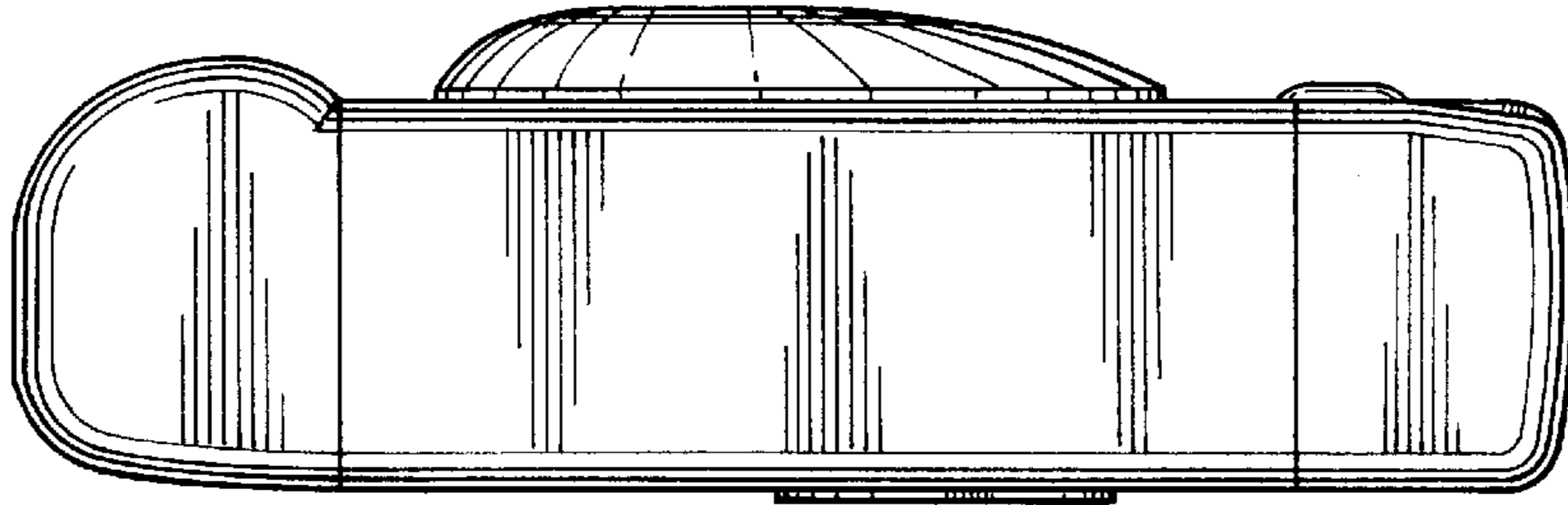


Fig. 6

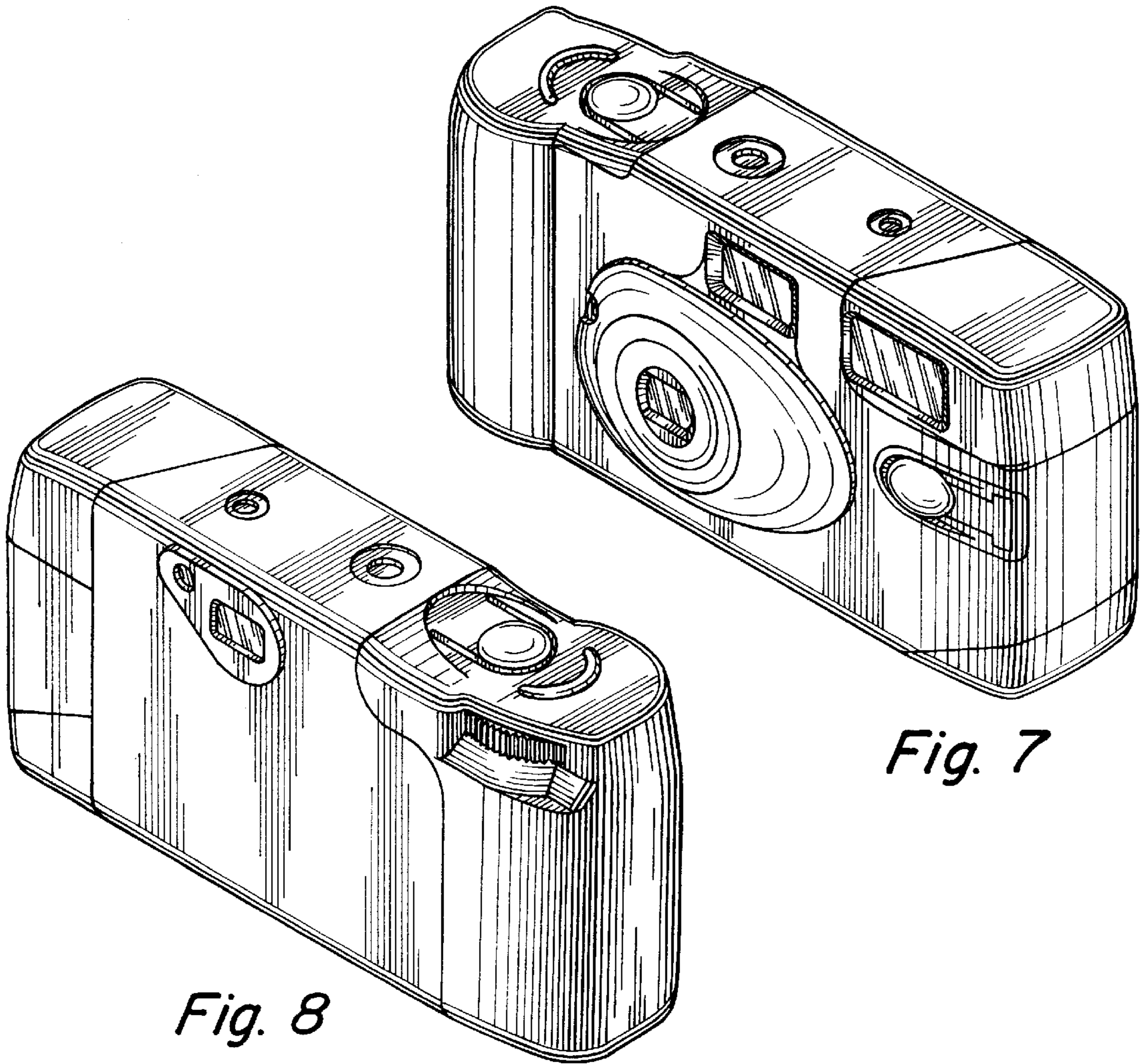


Fig. 7

Fig. 8

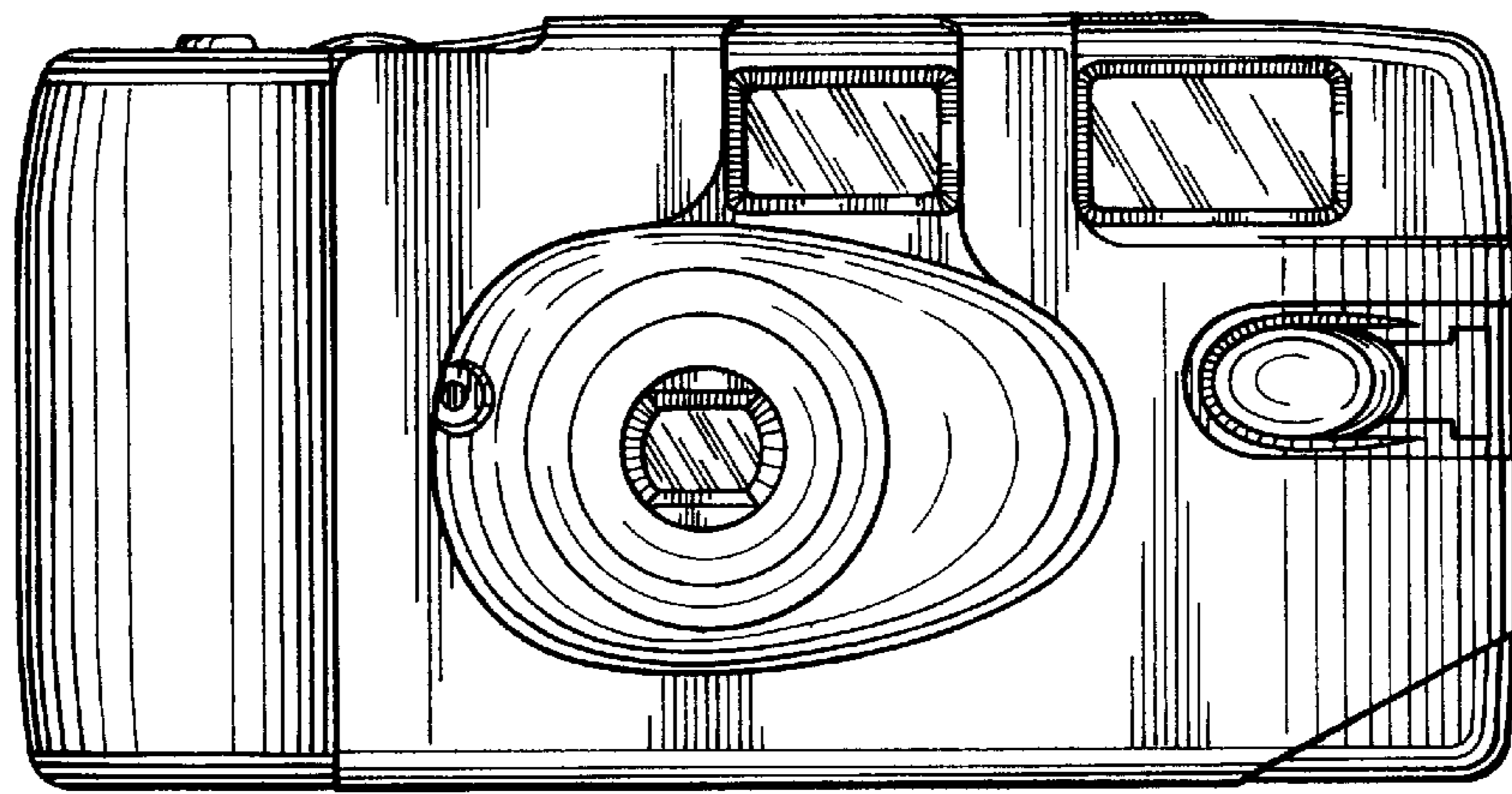


Fig. 9

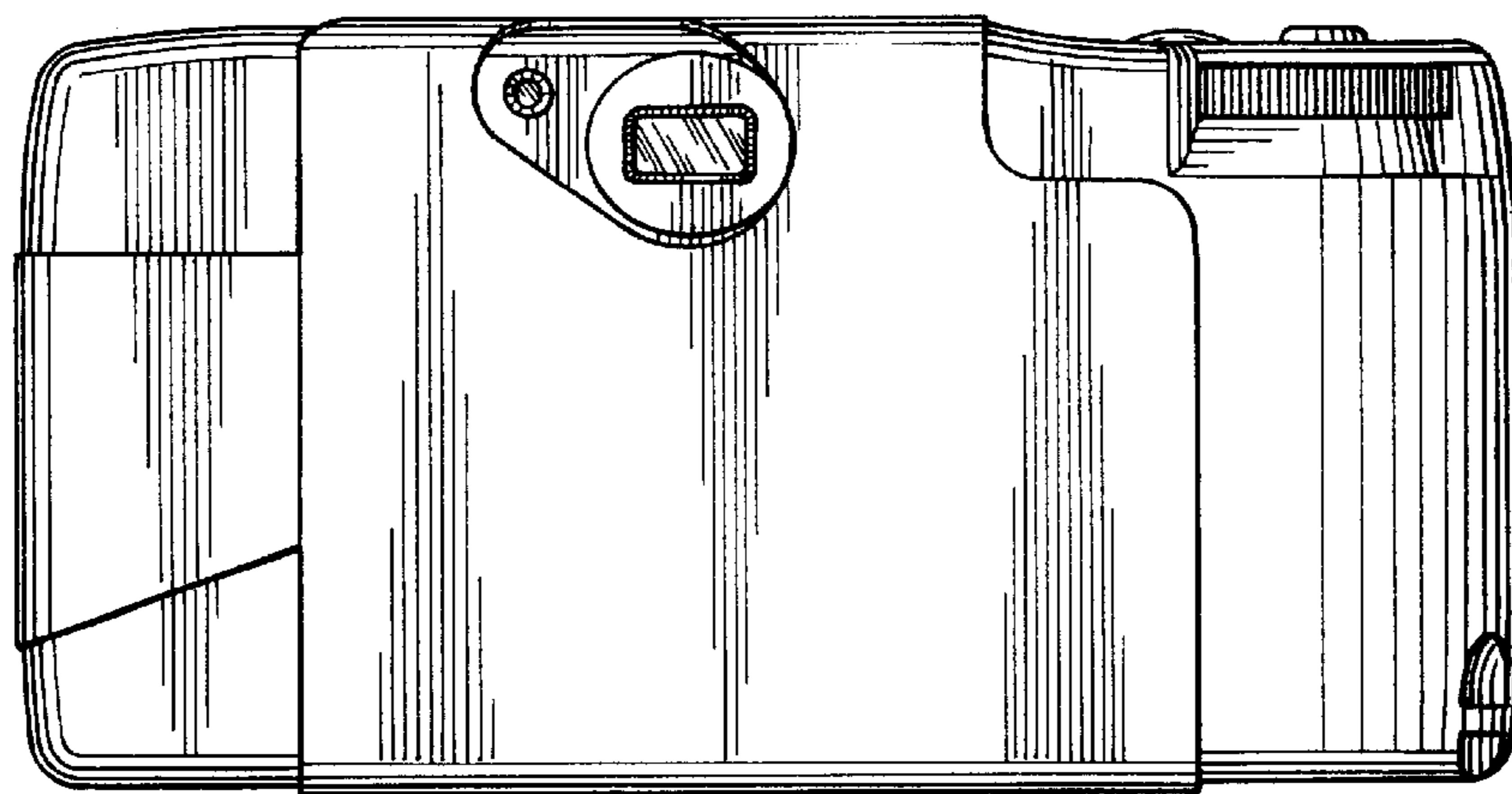


Fig. 10

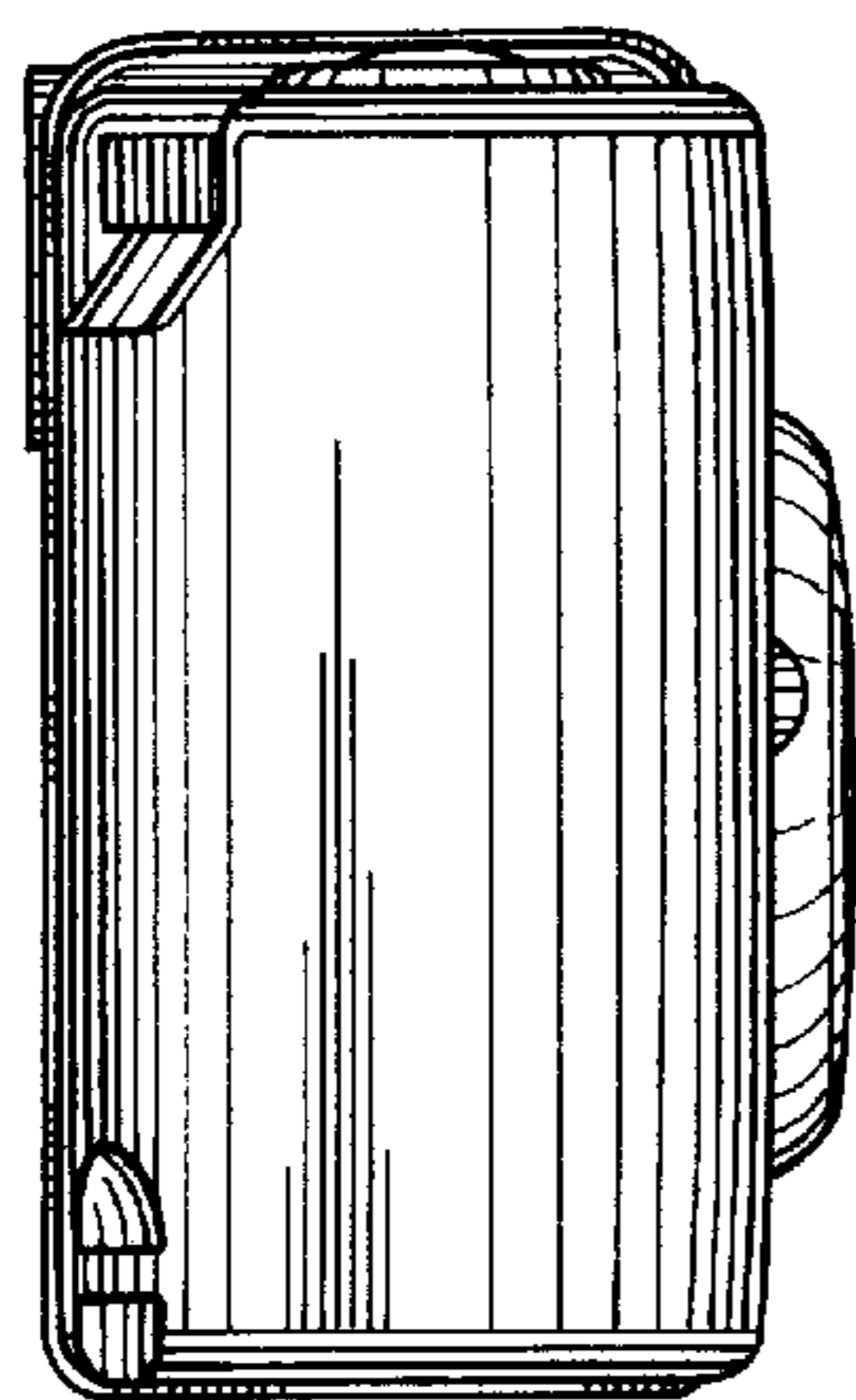


Fig. 11

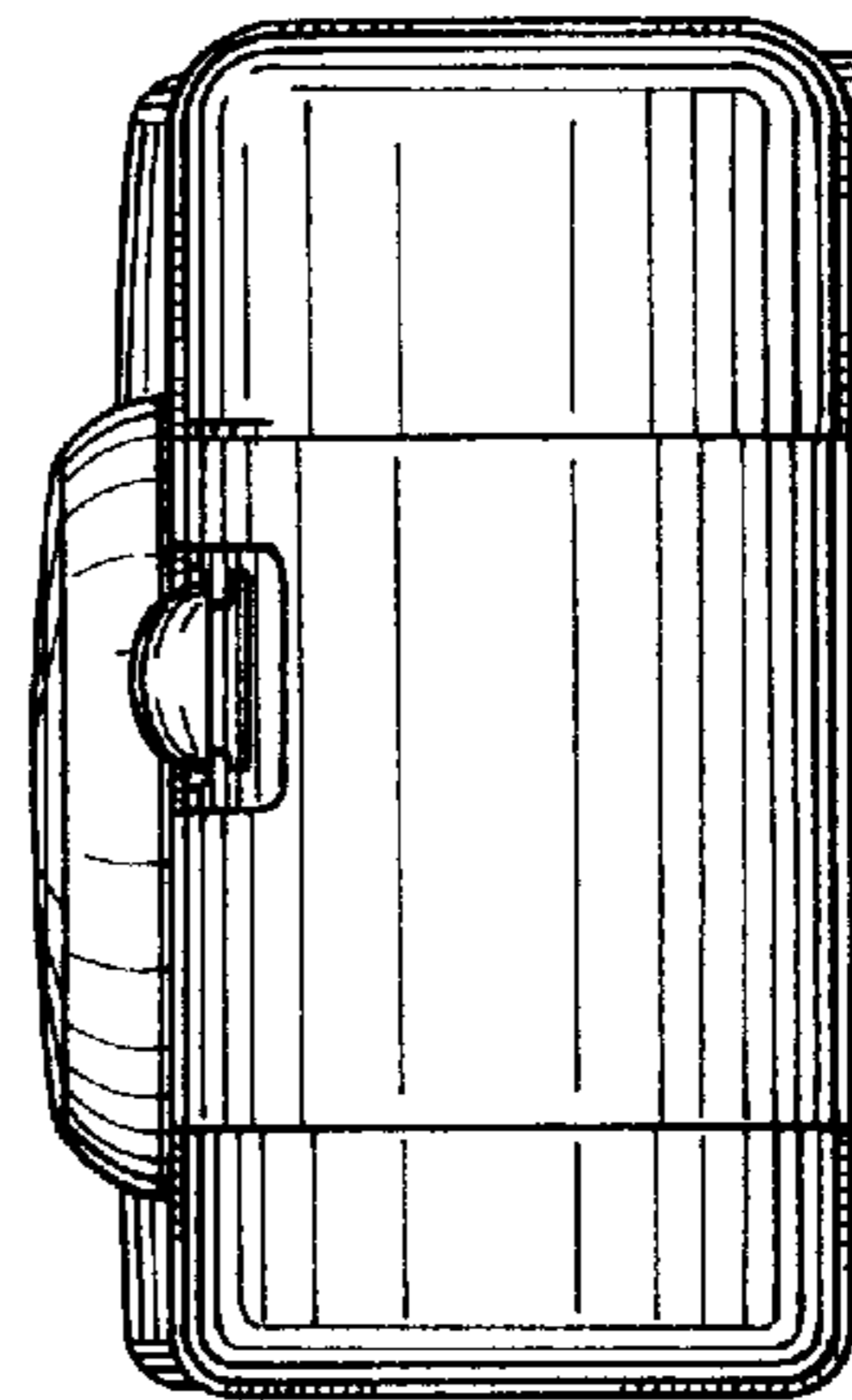


Fig. 12

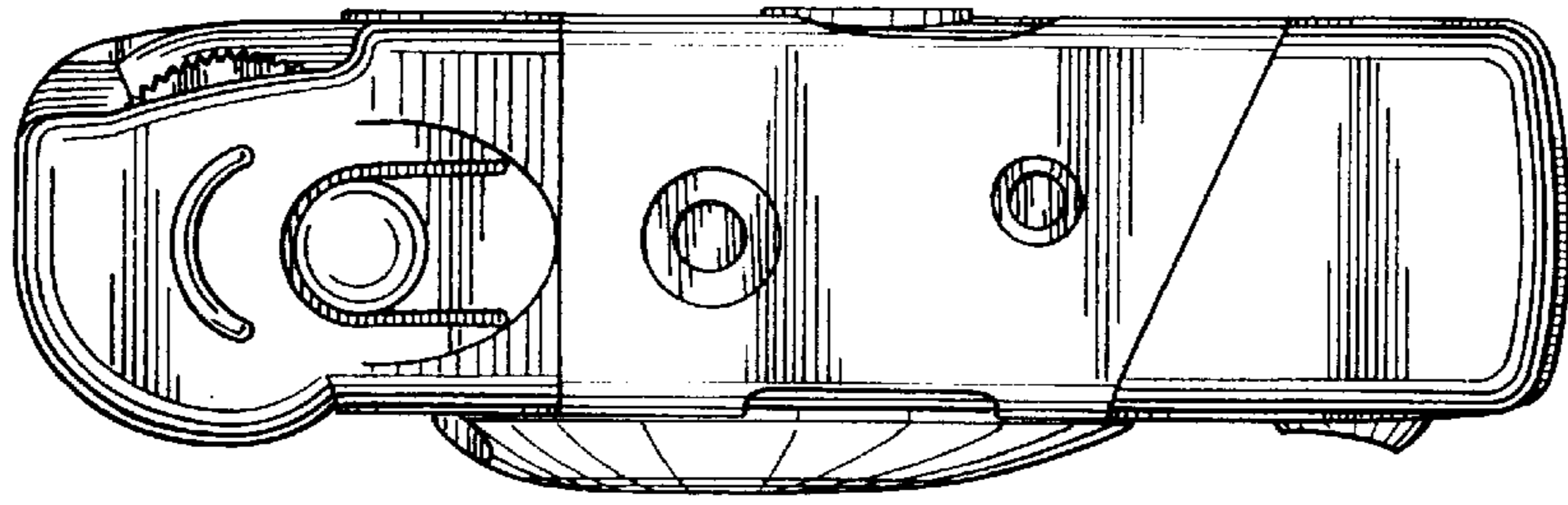


Fig. 13

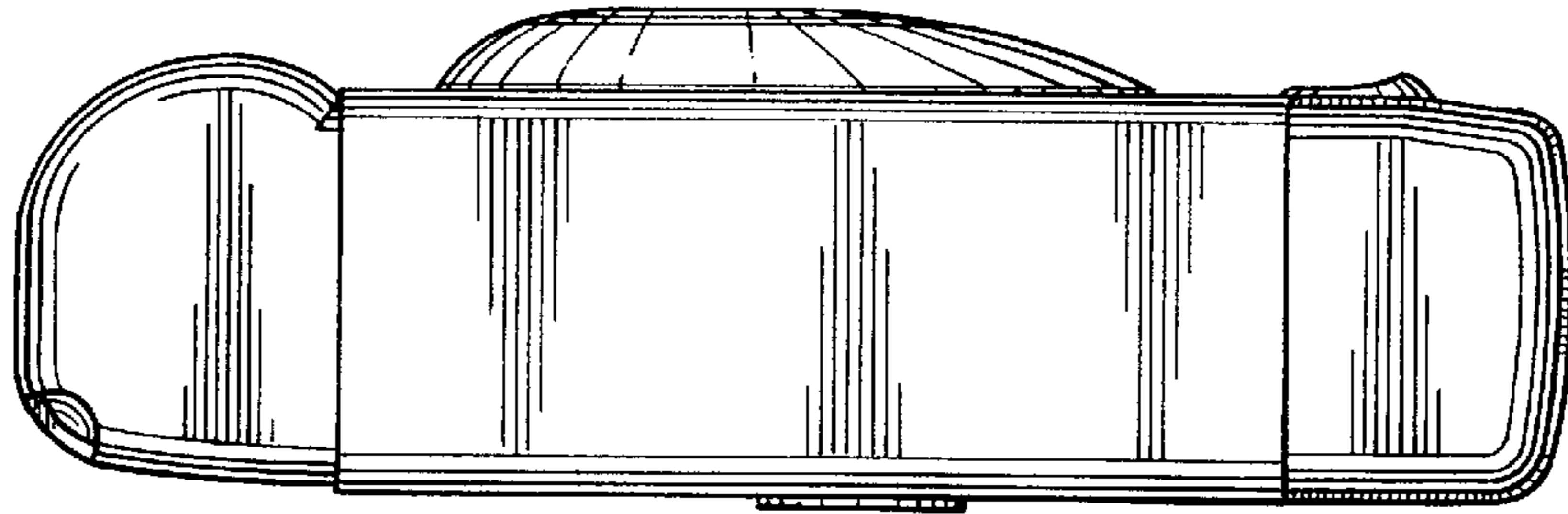


Fig. 14

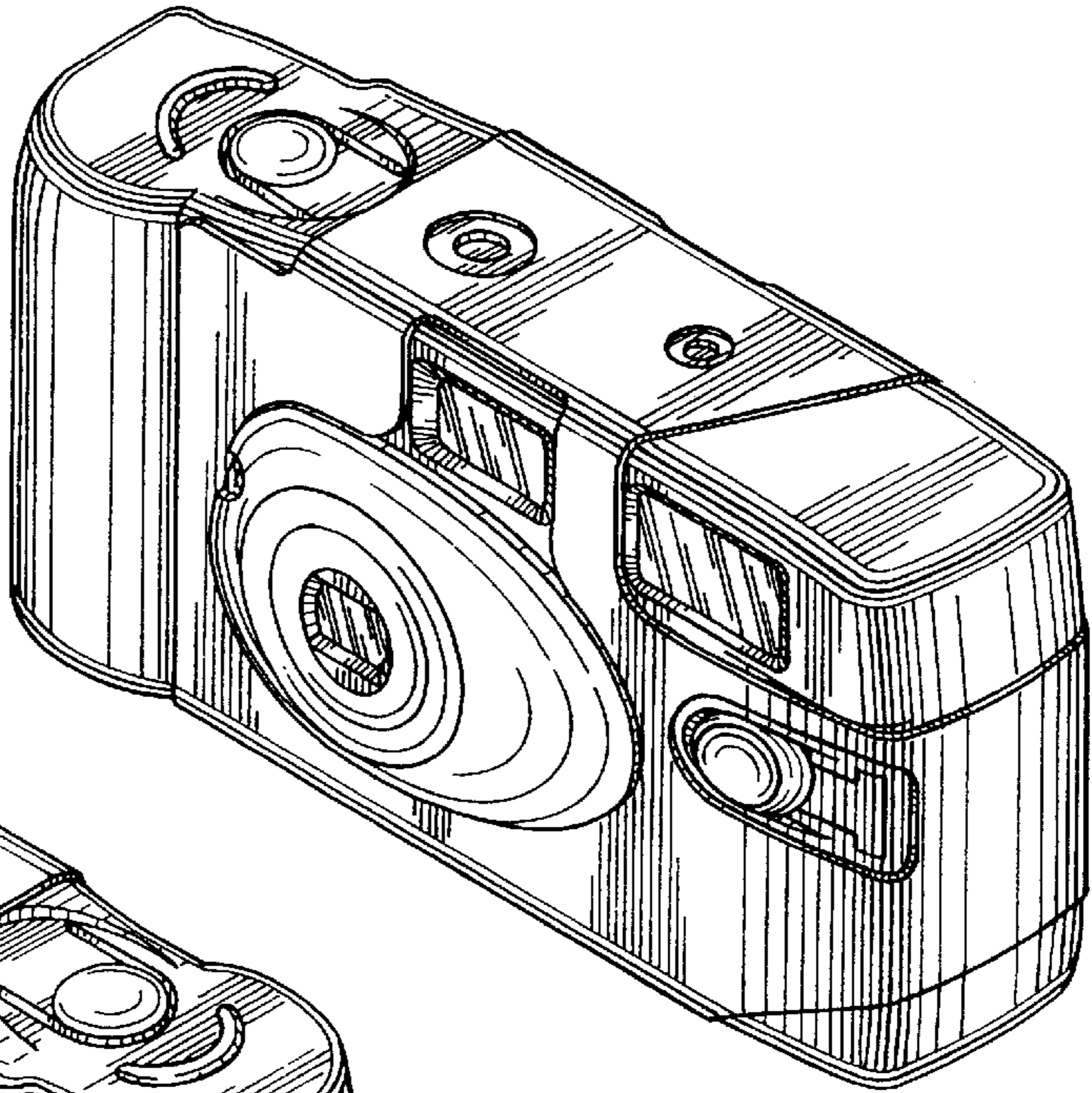


Fig. 15

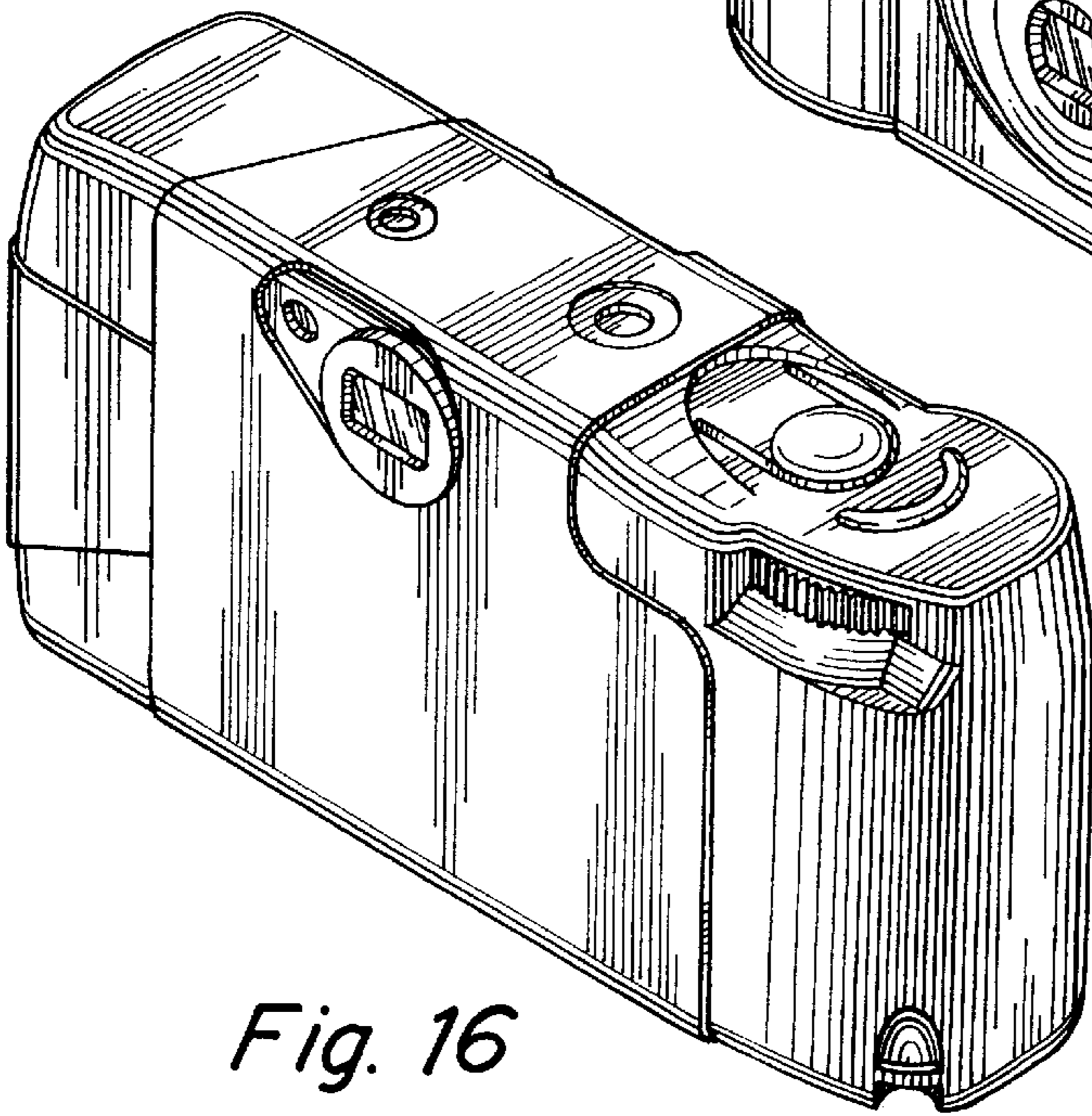


Fig. 16