



US00D404749S

# United States Patent [19]

Tsui

[11] Patent Number: **Des. 404,749**

[45] Date of Patent: **\*\*Jan. 26, 1999**

[54] CAMERA

D. 385,289 10/1997 Tsui ..... D16/218  
4,609,270 9/1986 Kohno et al. .... 396/535

[76] Inventor: **Victor Wai Man Tsui**, Block G, 7/F.,  
Tower 4, Bayshore Towers, 608 Sai Sha  
Road, Ma On Shan, Shatin, Hong Kong

*Primary Examiner*—Philip S. Hyder  
*Assistant Examiner*—Adir Aronovich  
*Attorney, Agent, or Firm*—Beveridge, DeGrandi, Weilacher  
& Young, LLP

[\*\*] Term: **14 Years**

[21] Appl. No.: **82,603**

[57] **CLAIM**

[22] Filed: **Jan. 27, 1998**

The ornamental design for a camera, as shown and described.

[51] LOC (6) Cl. .... **16-01**

**DESCRIPTION**

[52] U.S. Cl. .... **D16/209**

[58] Field of Search ..... D16/200–205,  
D16/208–209, 216–218; 396/535–543

FIG. 1 is a front elevational view of a camera showing my new design;

FIG. 2 is a back elevational view thereof;

FIG. 3 is a left side elevational view thereof;

FIG. 4 is a right side elevational view thereof;

FIG. 5 is a top elevational view thereof; and,

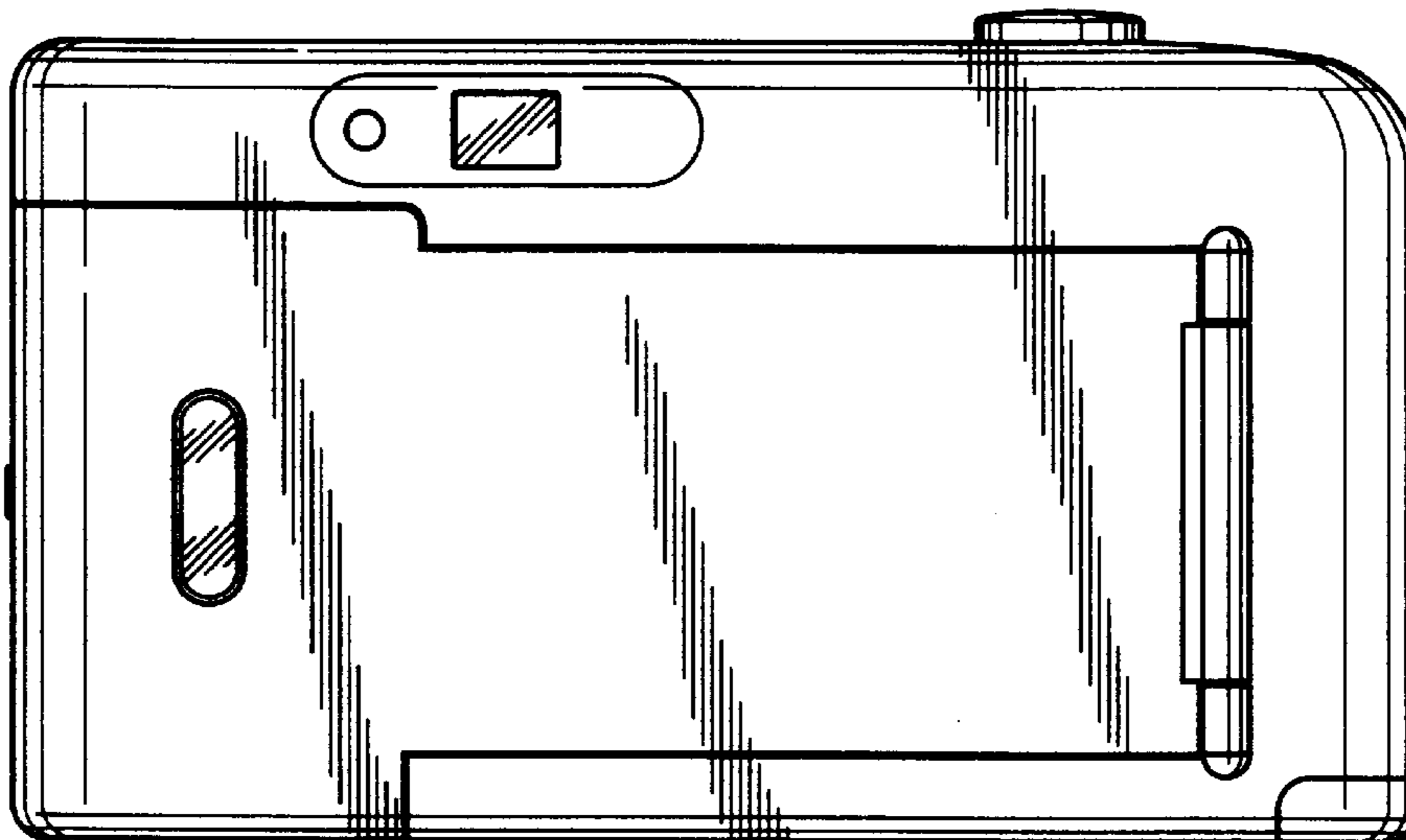
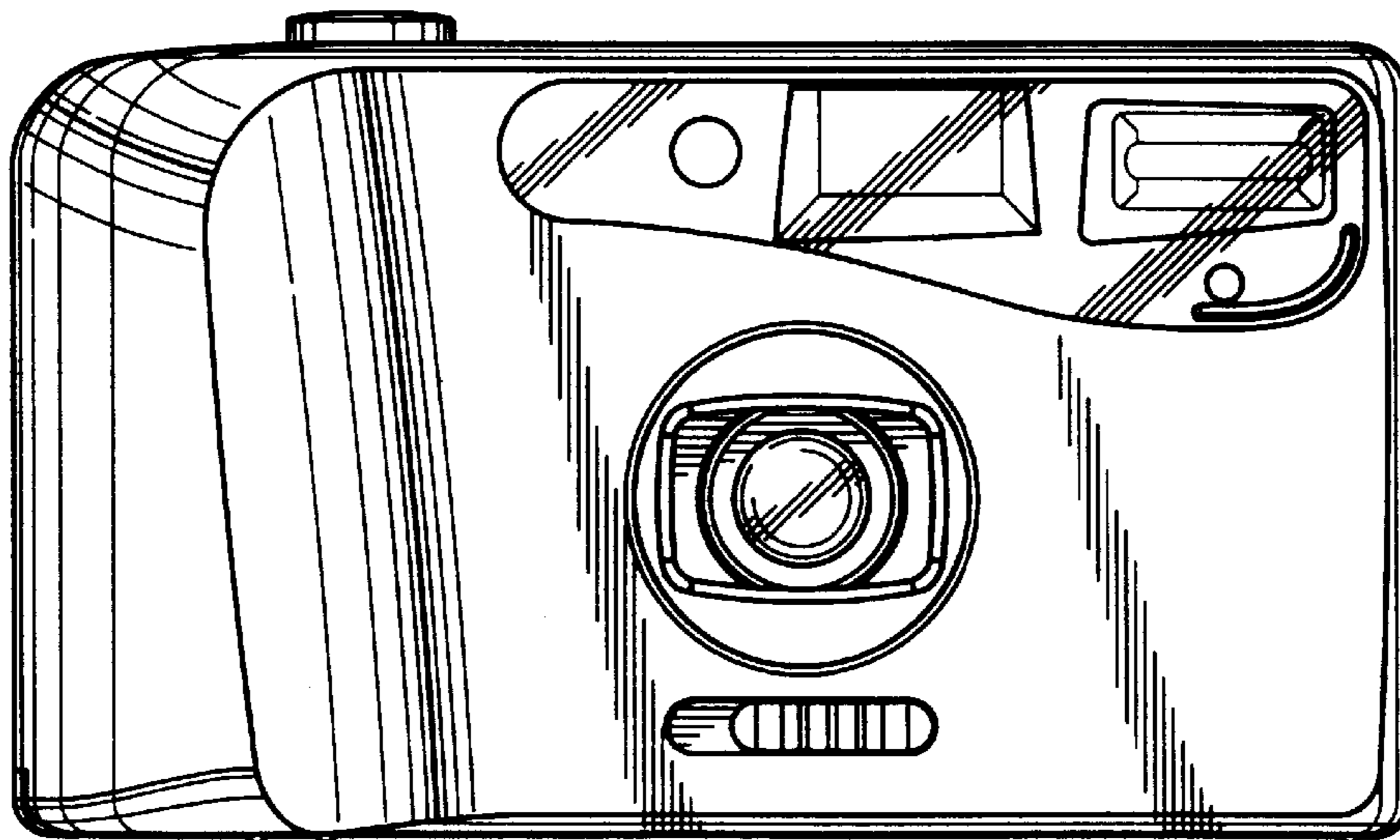
FIG. 6 is a bottom elevational view thereof.

[56] **References Cited**

U.S. PATENT DOCUMENTS

D. 353,609 12/1994 Nojima ..... D16/209  
D. 355,432 2/1995 Oshima ..... D16/209  
D. 360,217 7/1995 Shull et al. .... D16/209

**1 Claim, 6 Drawing Sheets**



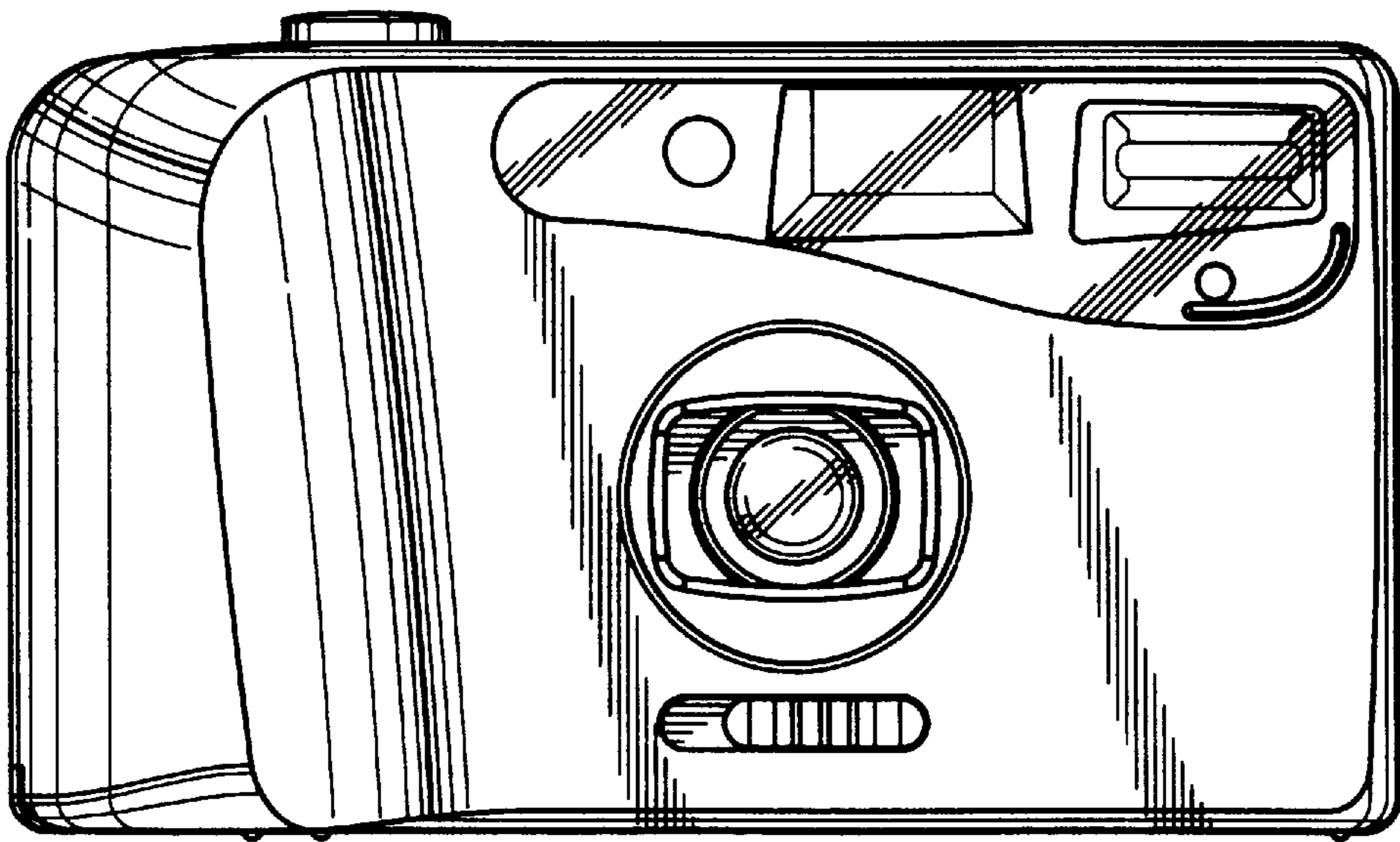


FIG. 1

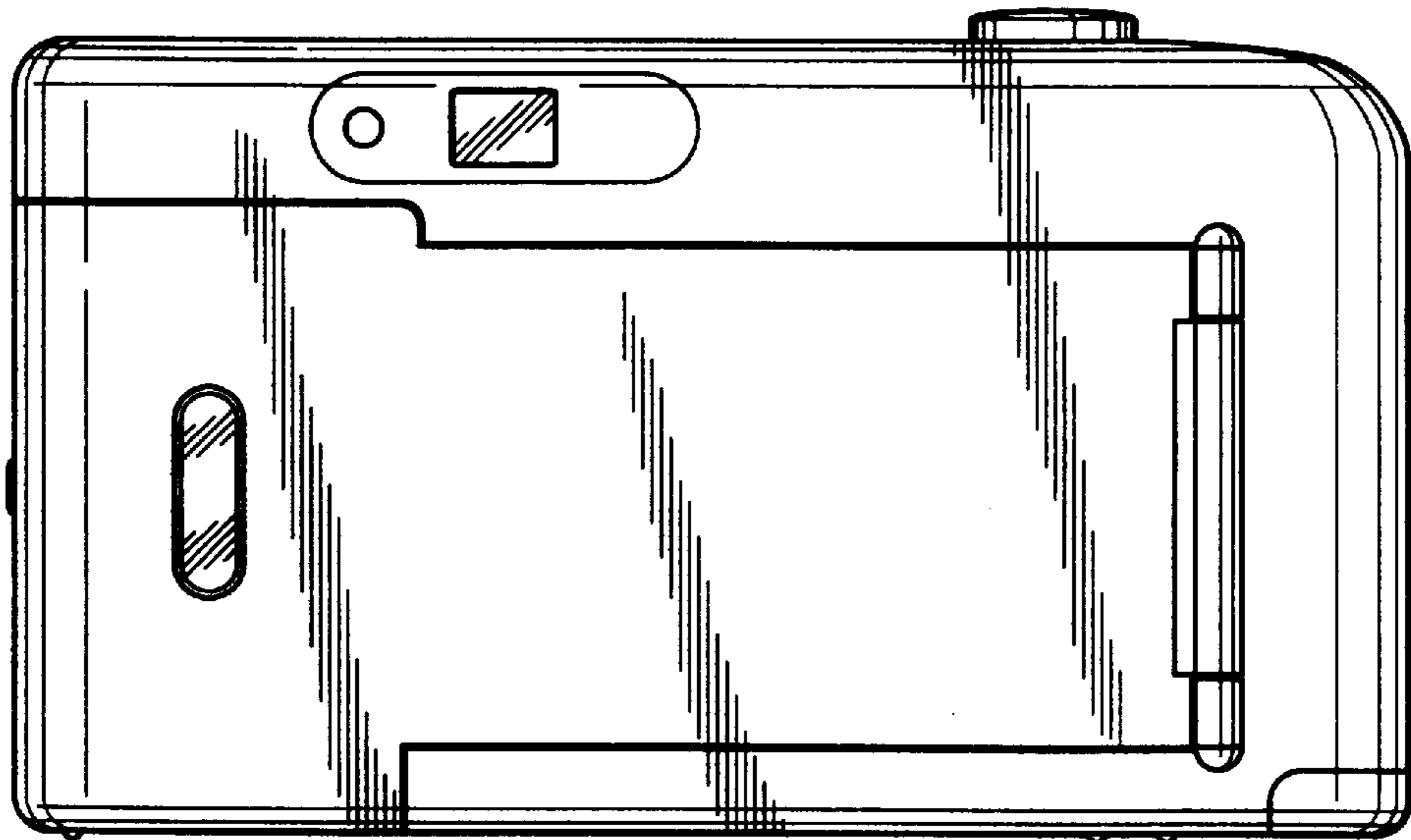


FIG. 2

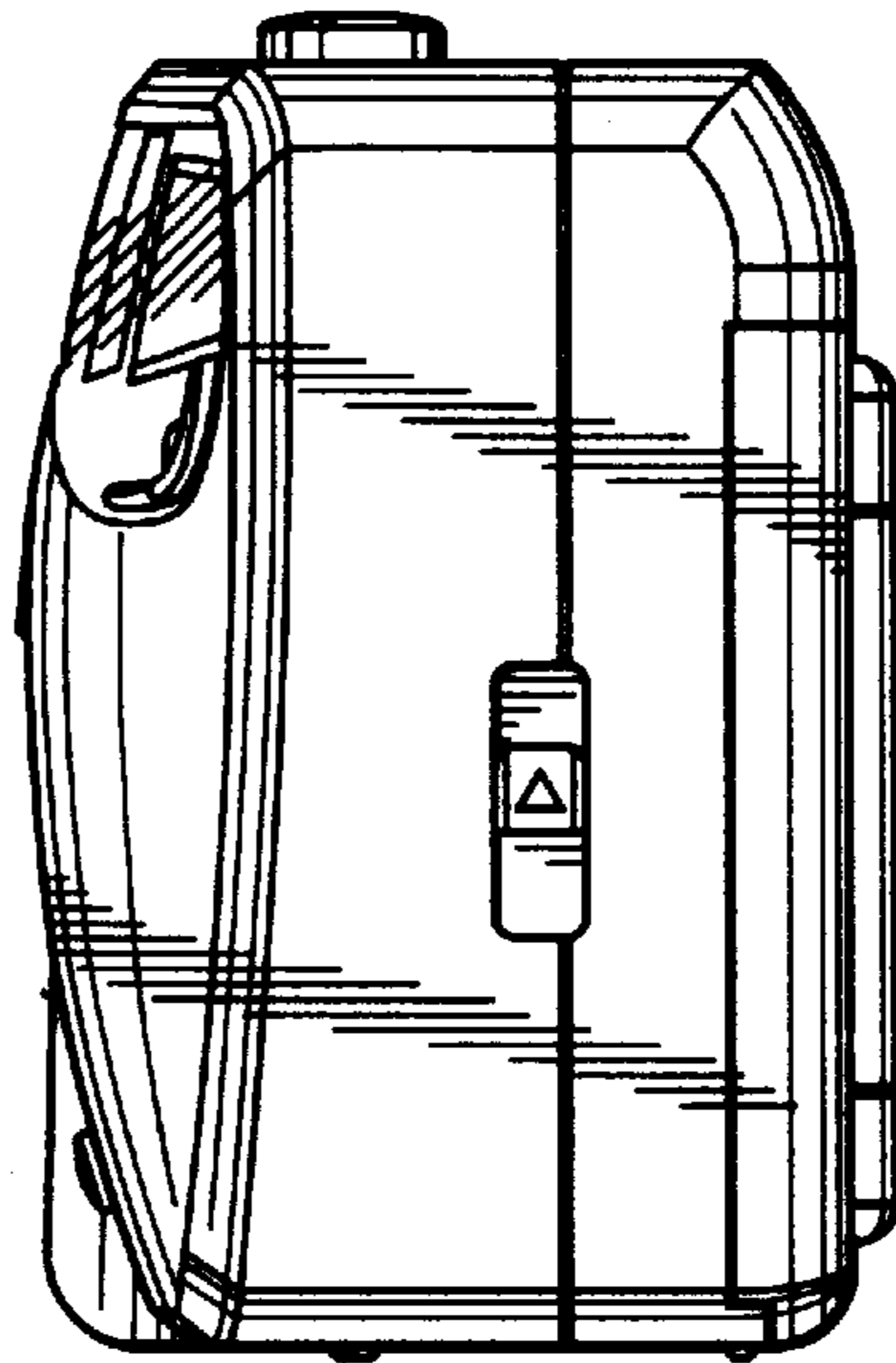


FIG. 3

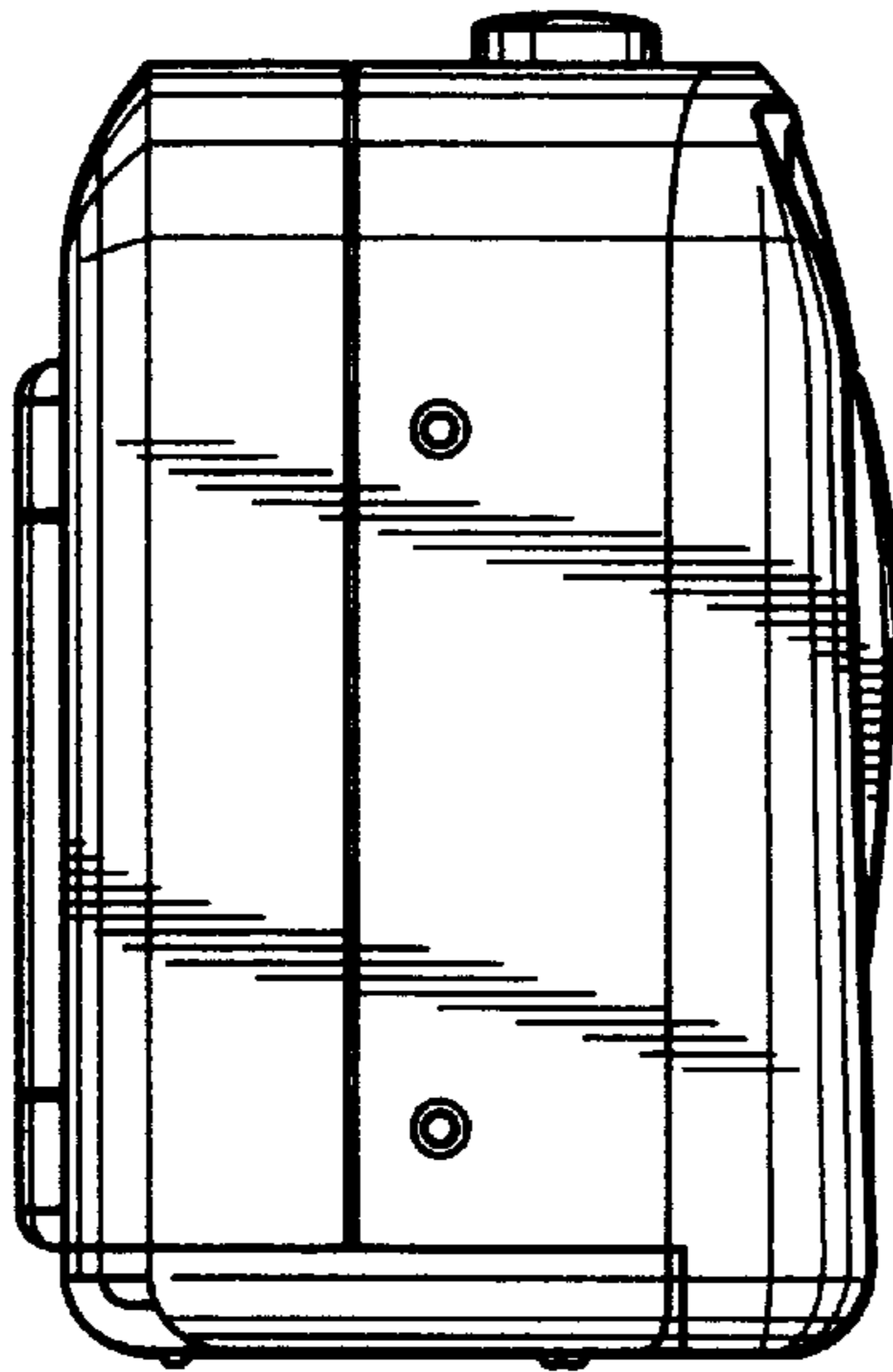


FIG. 4

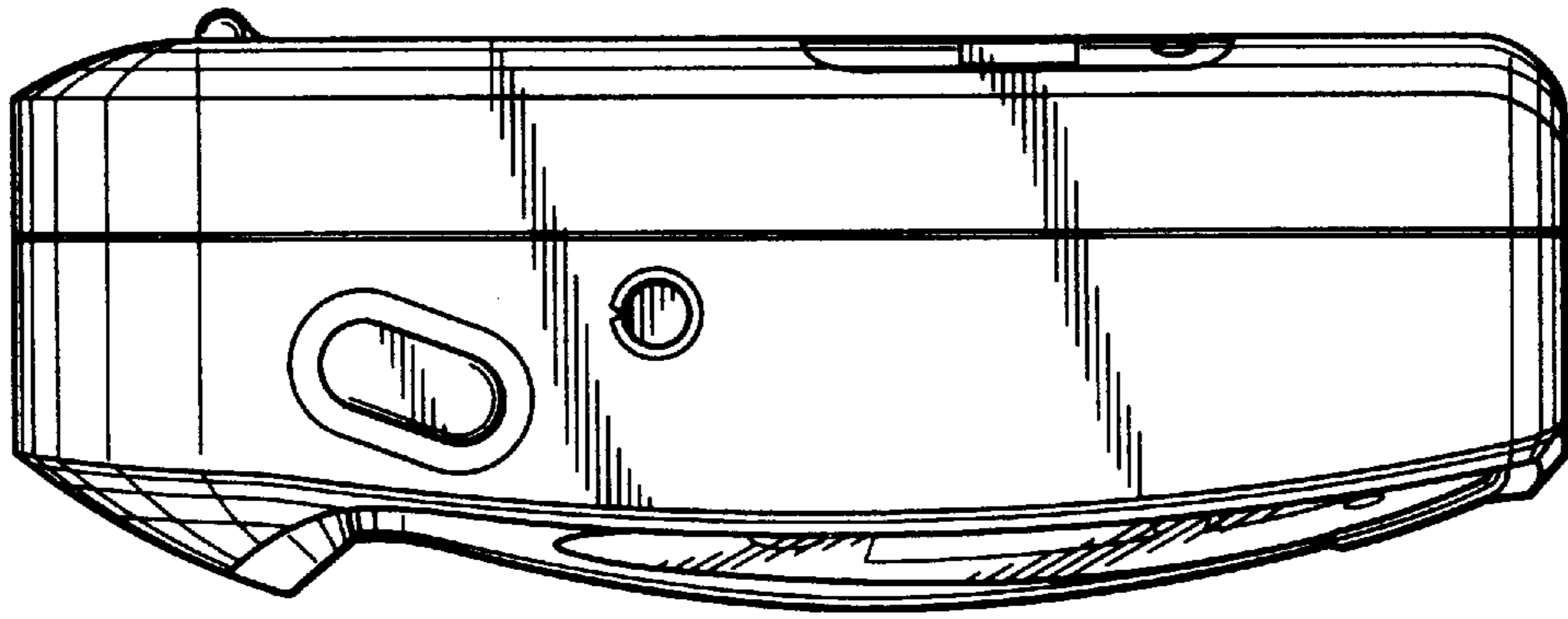


FIG. 5

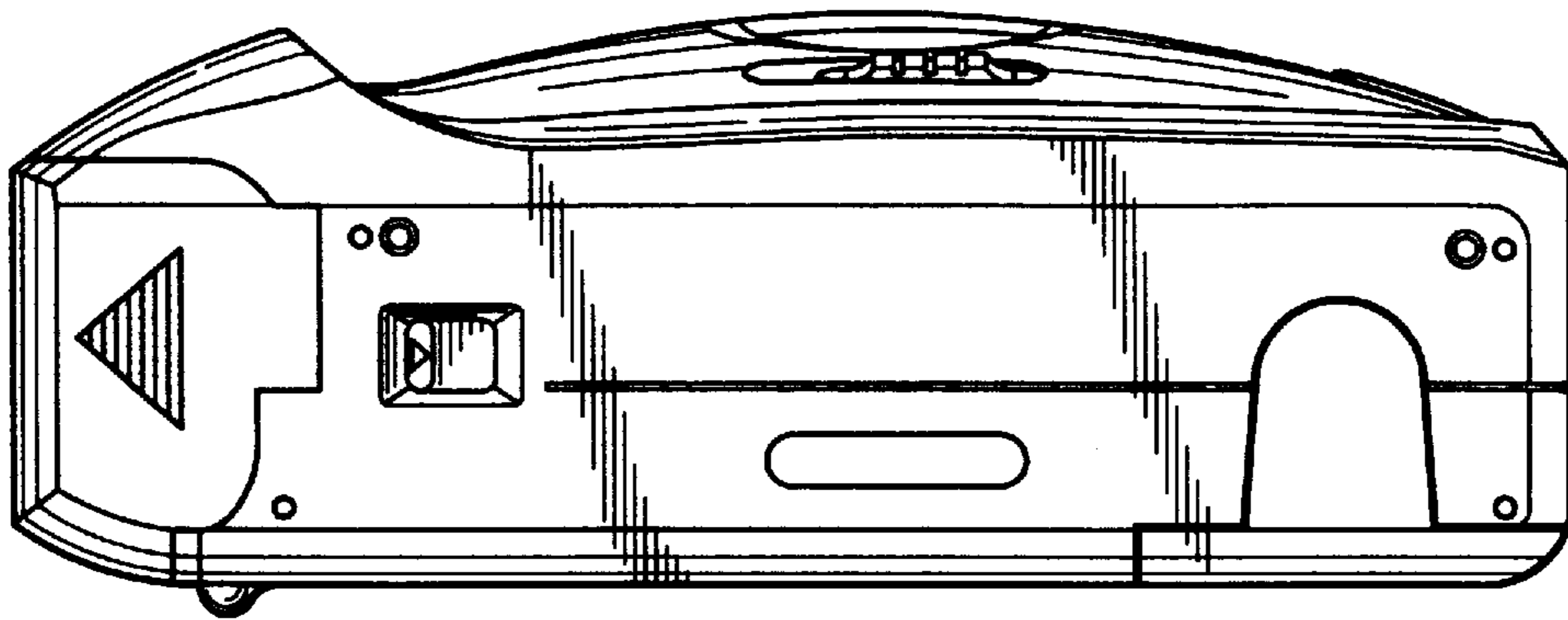


FIG. 6