



US00D404748S

United States Patent [19]
Miyashita

[11] **Patent Number: Des. 404,748**

[45] **Date of Patent: **Jan. 26, 1999**

[54] **COMBINED VIDEO CAMERA AND VIDEO TAPE RECORDER**

[75] Inventor: **Shin Miyashita**, Tokyo, Japan

[73] Assignee: **Sony Corporation**, Tokyo, Japan

[**] Term: **14 Years**

[21] Appl. No.: **61,340**

[22] Filed: **Oct. 22, 1996**

[51] **LOC (6) Cl.** **16-01**

[52] **U.S. Cl.** **D16/202**

[58] **Field of Search** D16/200-206,
D16/208; 352/34, 242; 348/373-376; 396/535-543

[56] **References Cited**

U.S. PATENT DOCUMENTS

D. 285,683	9/1986	Shibata	D16/202
D. 289,157	4/1987	Inai et al.	D16/202
D. 289,893	5/1987	Takemoto et al.	D16/202
D. 317,457	6/1991	Ooi et al.	D16/202
D. 350,552	9/1994	Cha	D16/202
4,623,931	11/1986	Inaga et al.	348/374

OTHER PUBLICATIONS

Abe's Cameras and Eletronics of Maine Catalog, Cover page(Sony's videocamera), Oct. 1996.

"Video Equipment 1995-1996" Sony, pp. 6, 12, 40, 41, 70, 71 (Jun. 1995).

Primary Examiner—Philip S. Hyder

Assistant Examiner—Adir Aronovich

Attorney, Agent, or Firm—Foley & Lardner

[57] **CLAIM**

The ornamental design for a combined video camera and a video tape recorder, as shown and described.

DESCRIPTION

FIG. 1 is a top, right perspective view of a combined video camera and a video tape recorder showing my new design;

FIG. 2 is a top, left perspective view thereof;

FIG. 3 is a top plan view thereof;

FIG. 4 is a left side elevational view thereof;

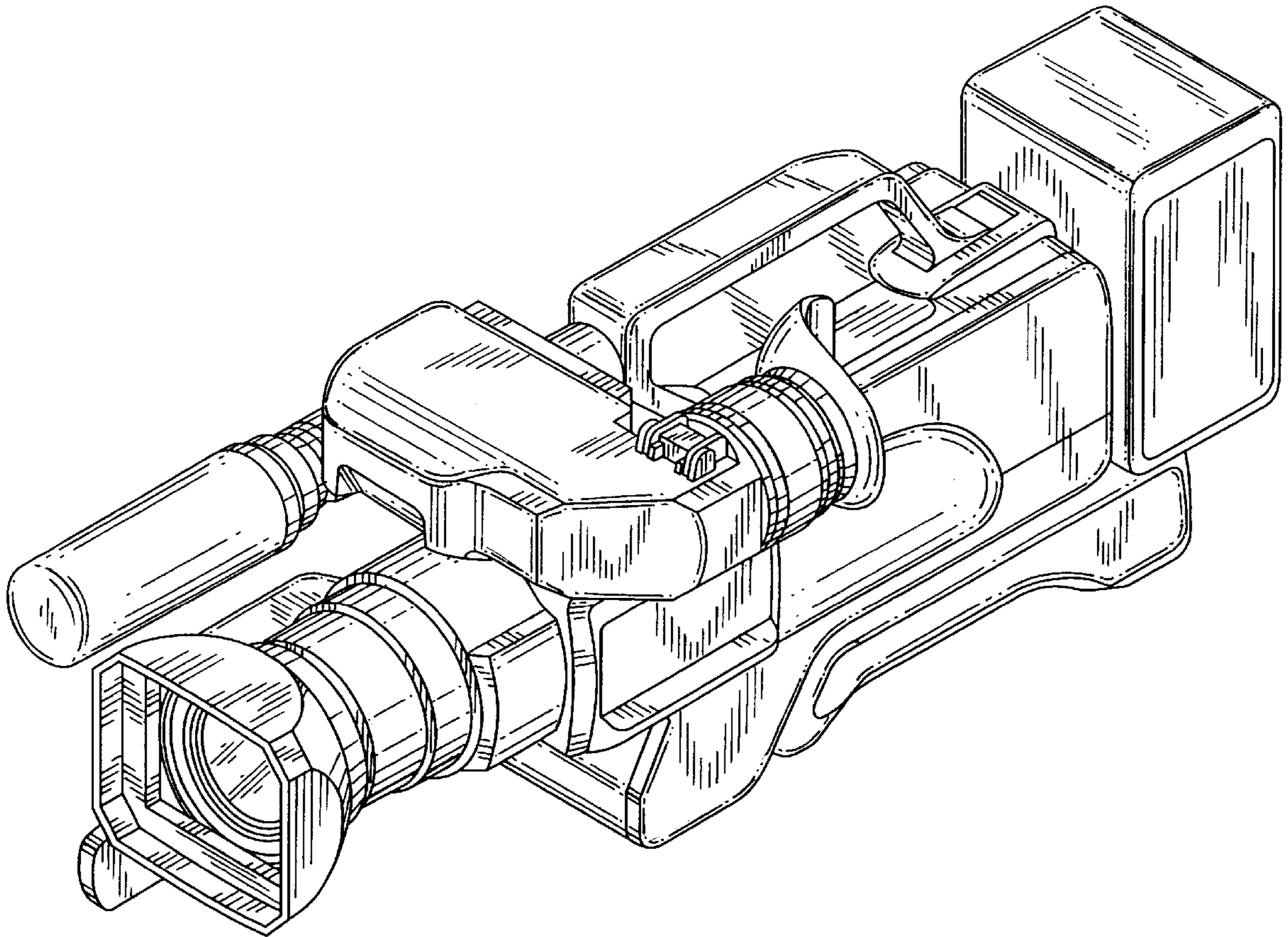
FIG. 5 is a front elevational view thereof;

FIG. 6 is a bottom plan view thereof;

FIG. 7 is a right side elevational view thereof; and,

FIG. 8 is a rear elevational view thereof.

1 Claim, 5 Drawing Sheets



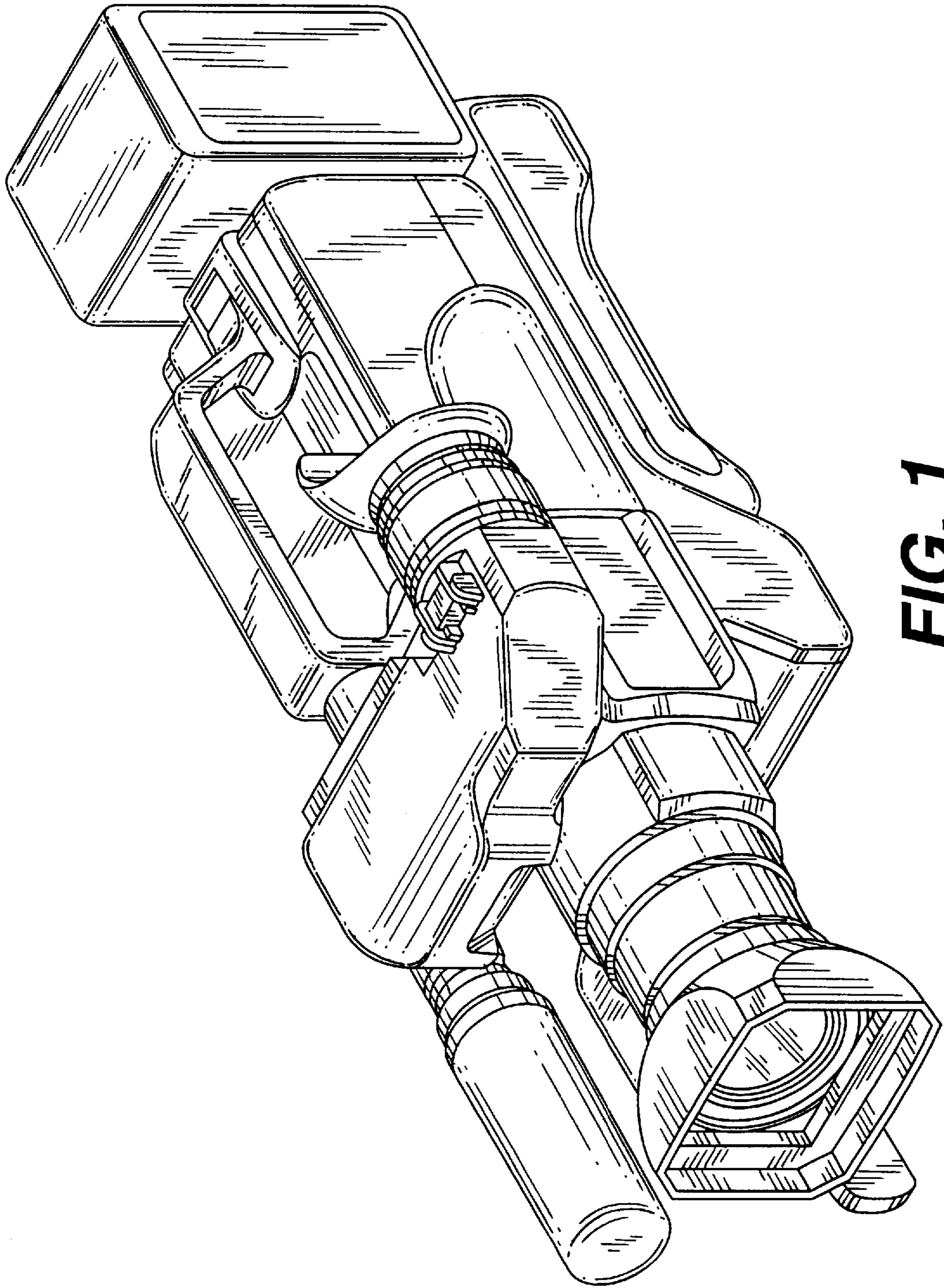


FIG. 1

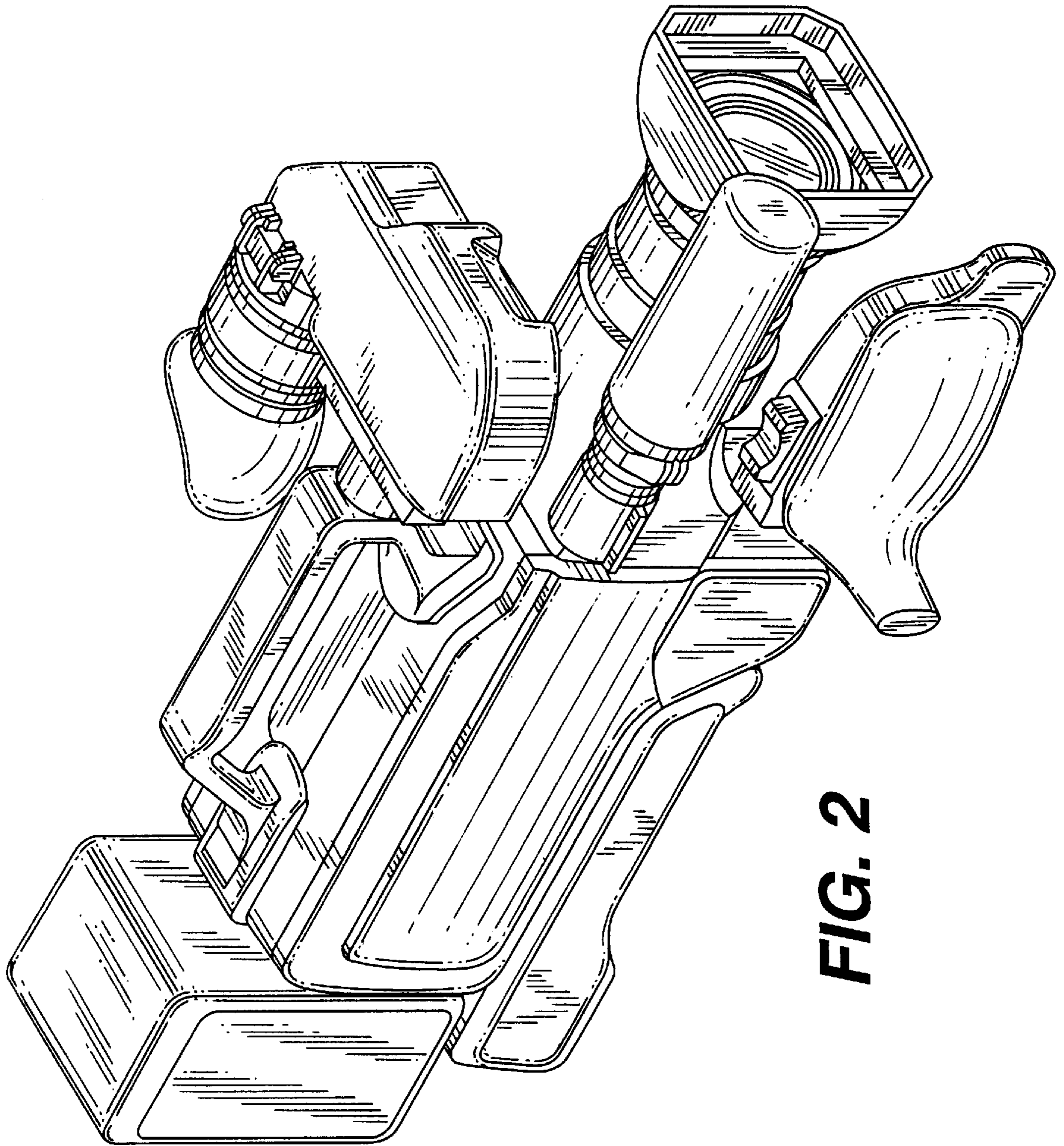


FIG. 2

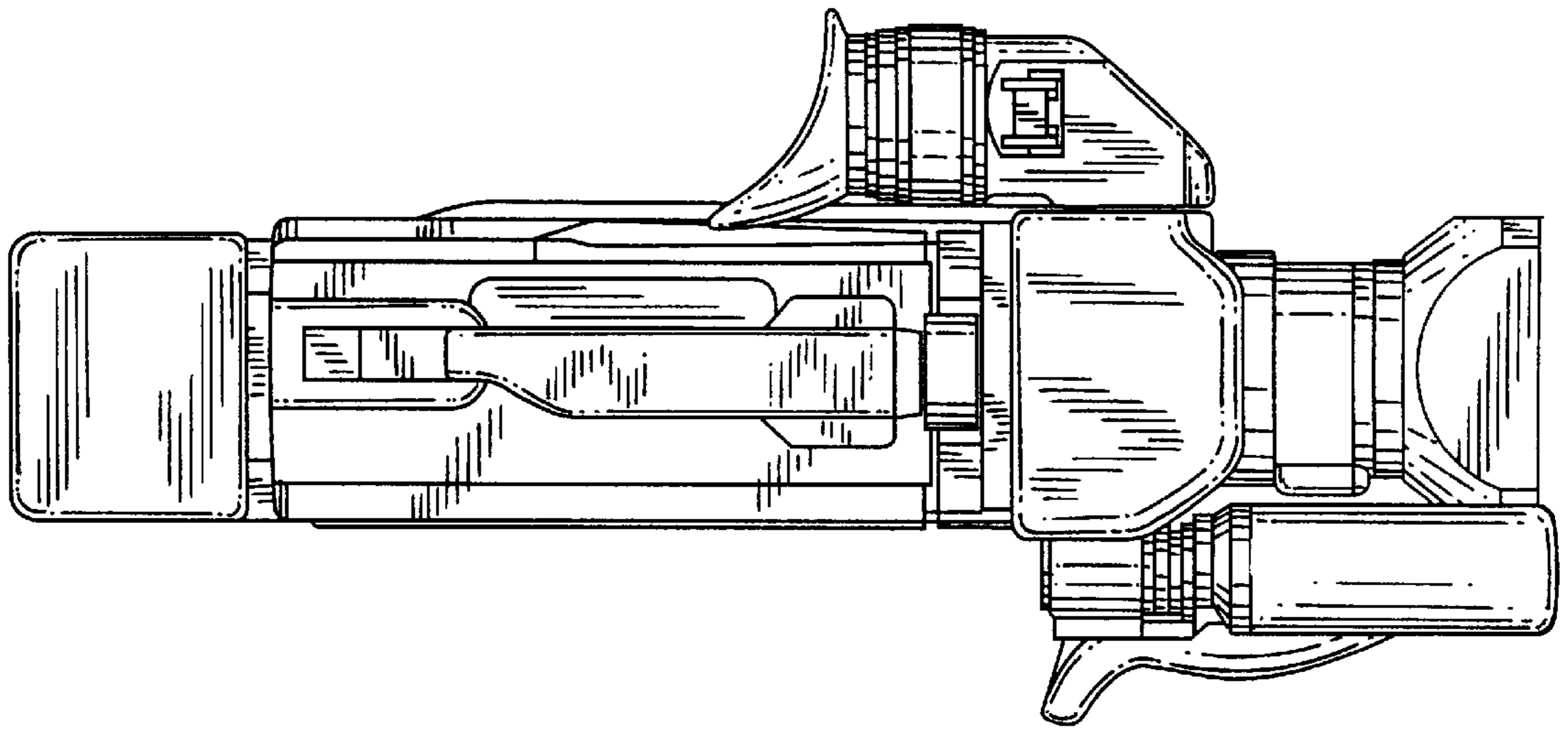


FIG. 3

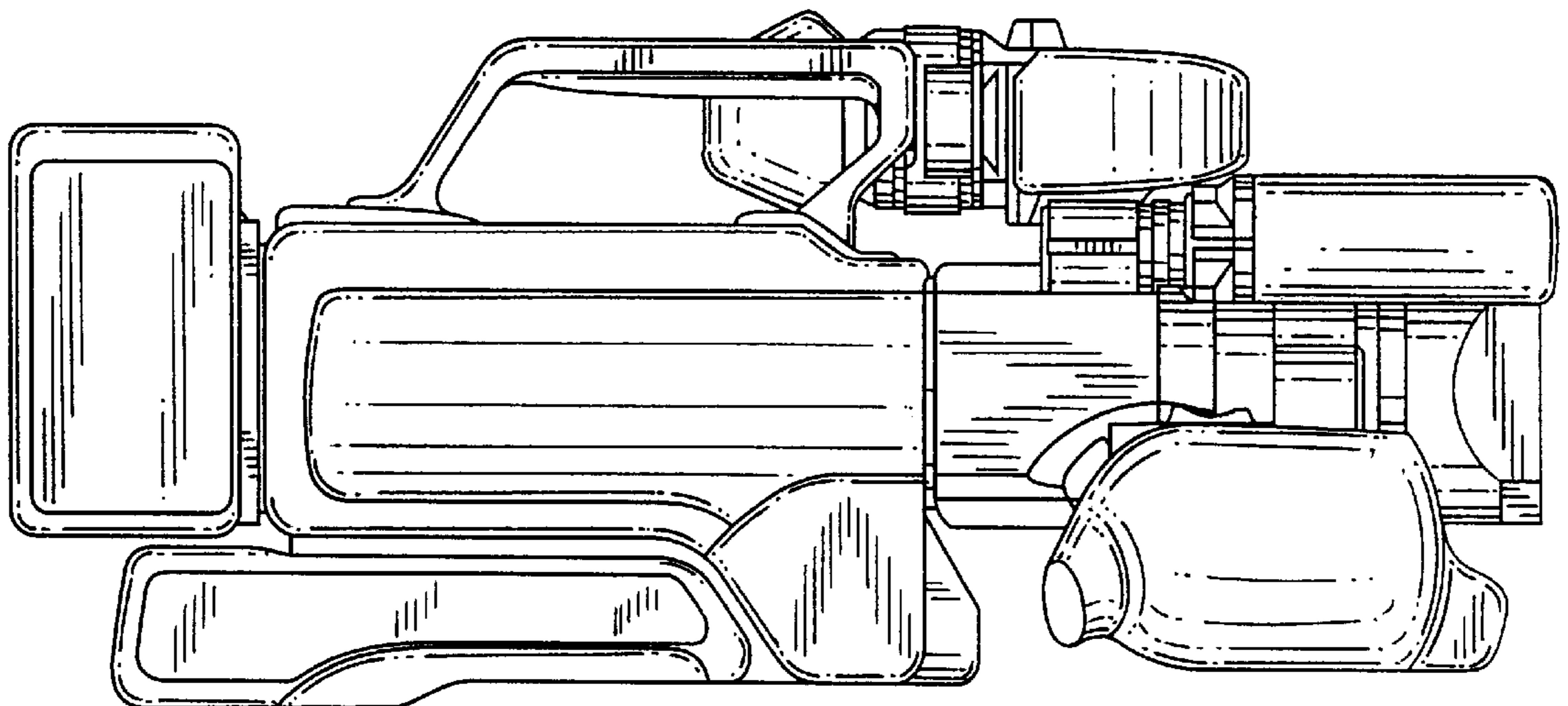


FIG. 4

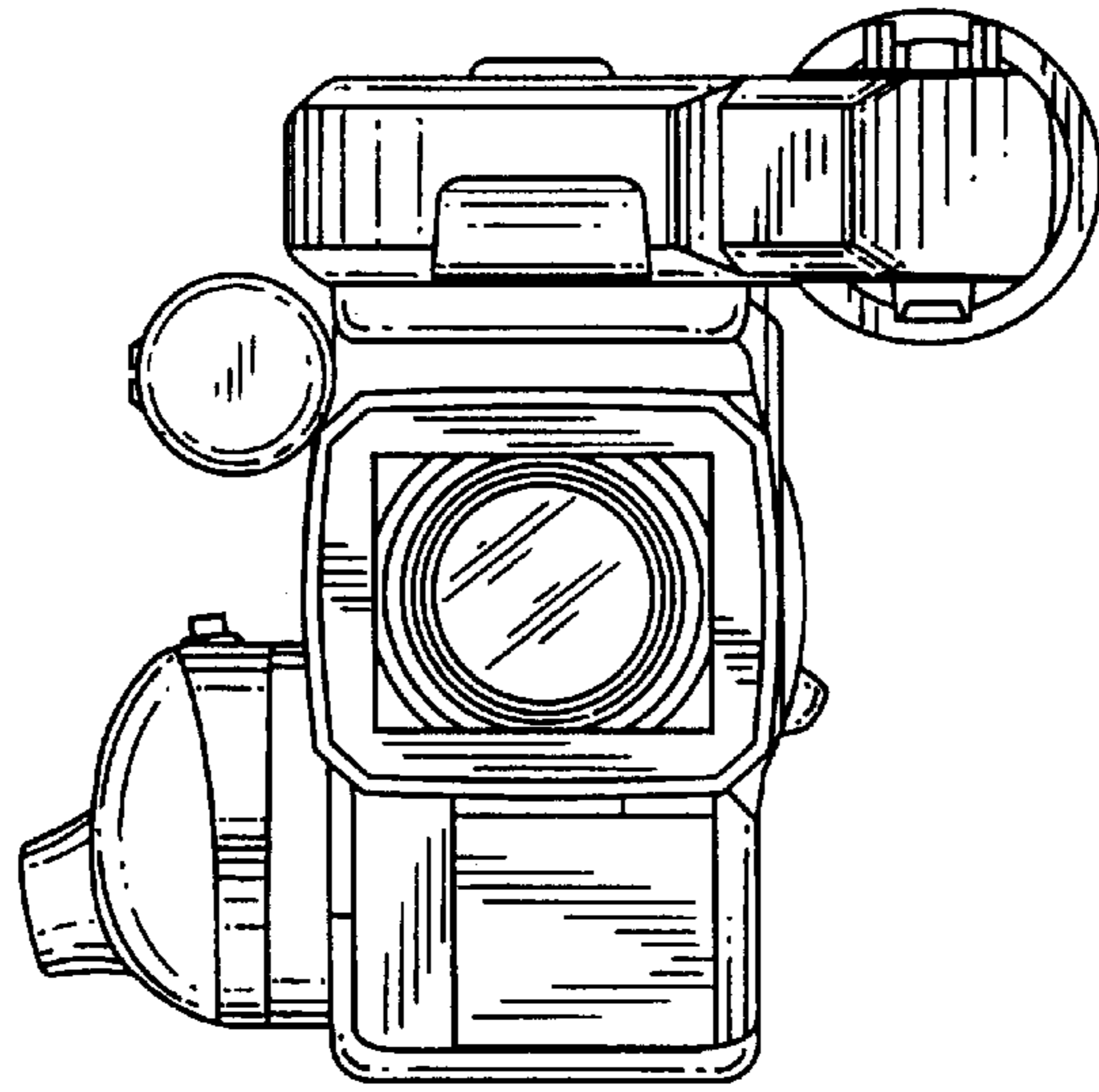


FIG. 5

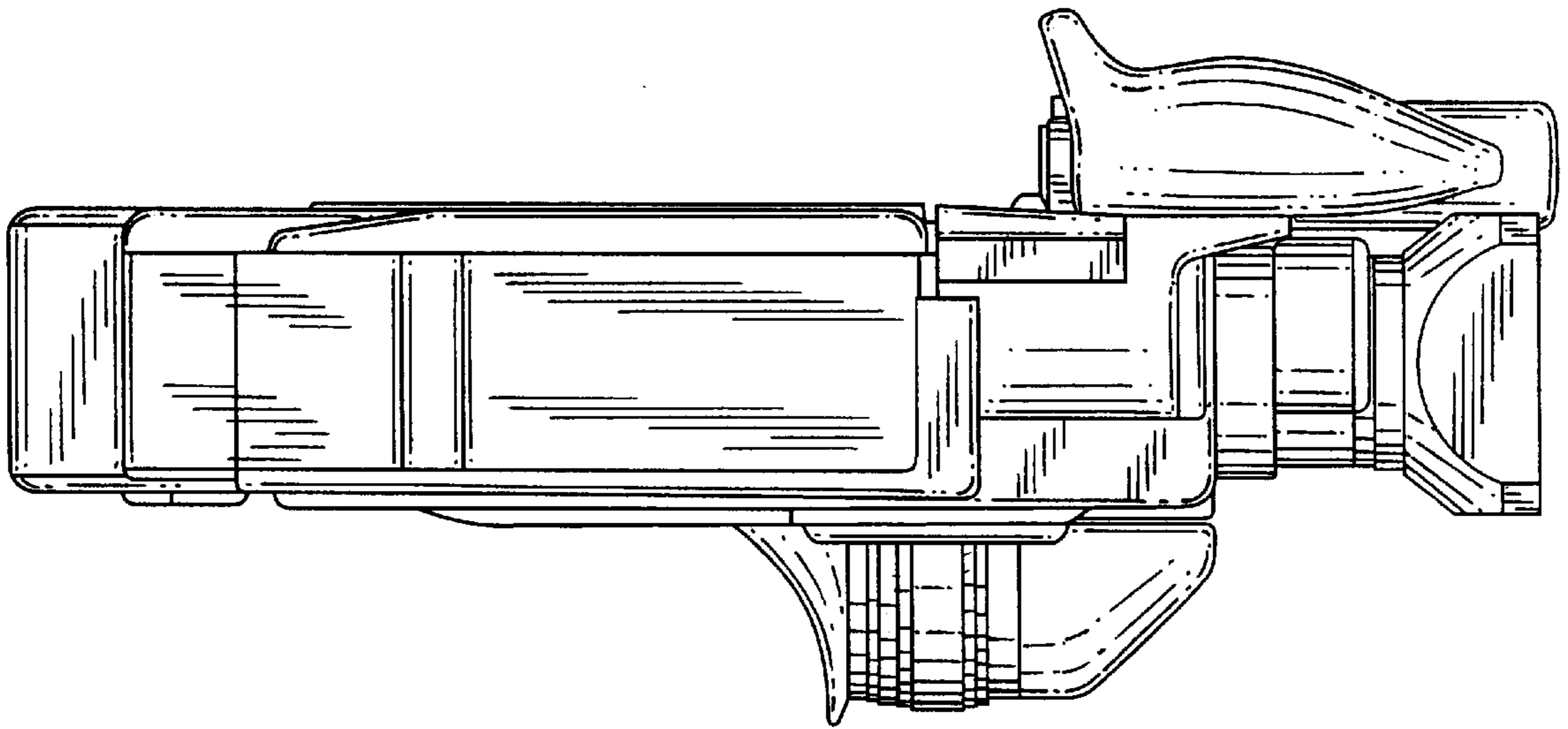


FIG. 6

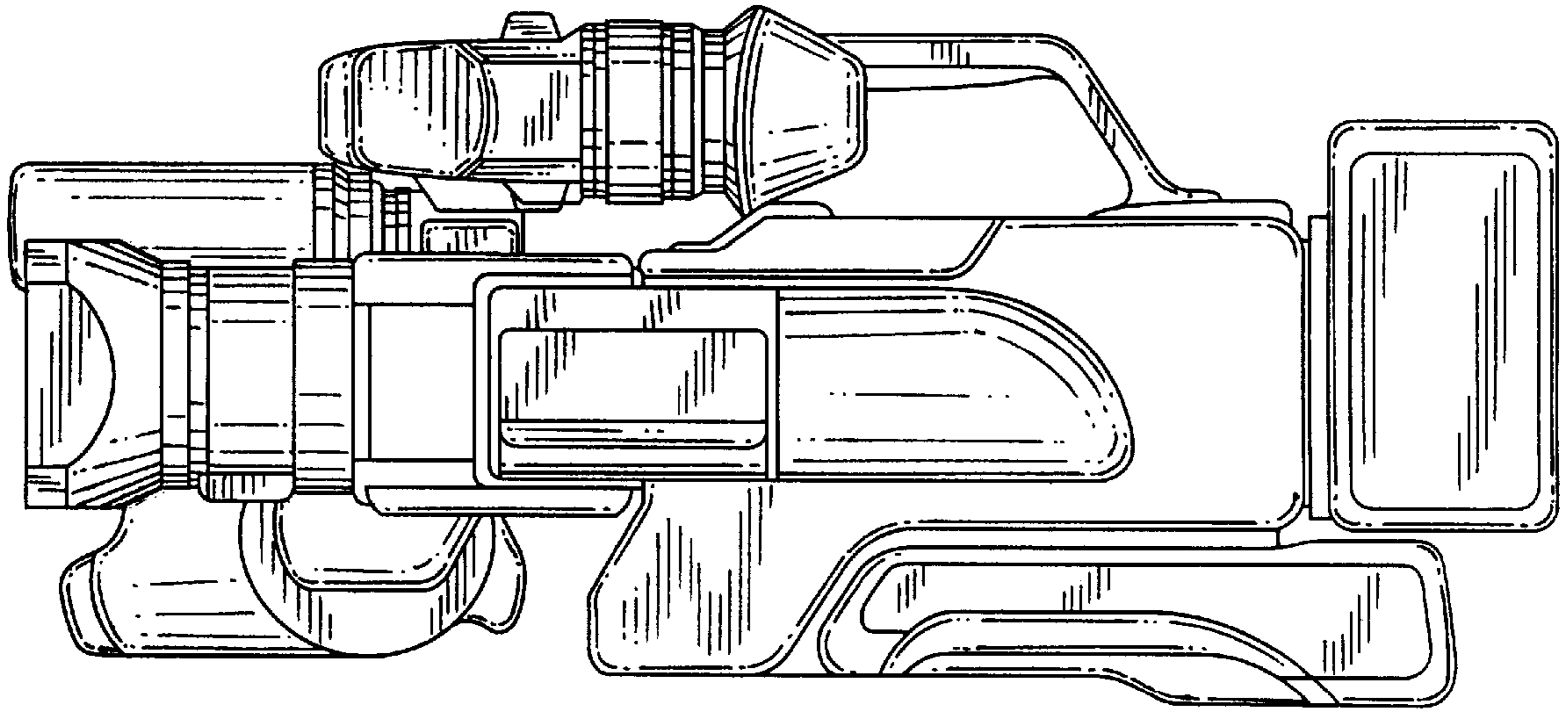


FIG. 7

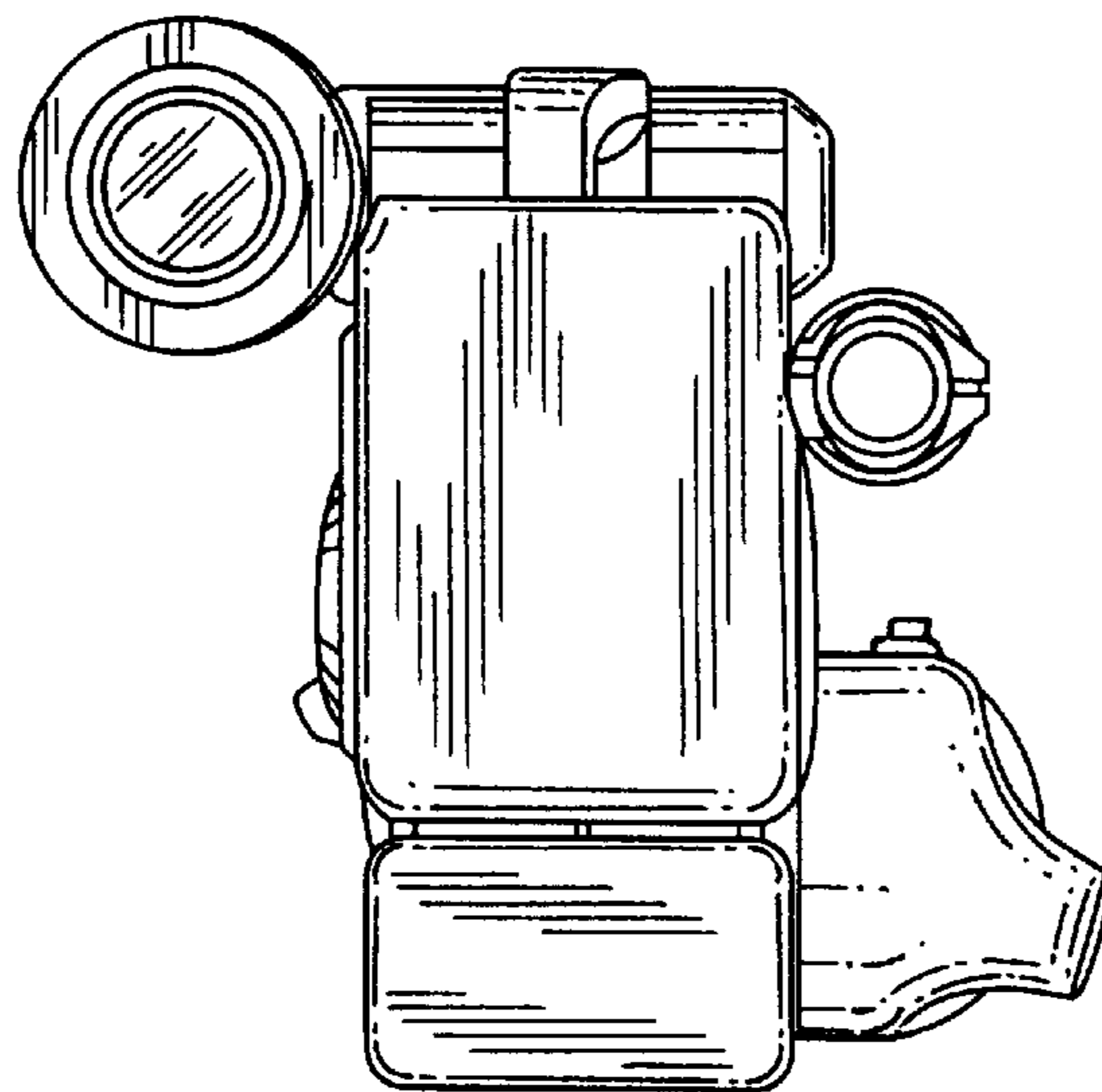


FIG. 8