



US00D404746S

United States Patent [19]
Hörmann

[11] **Patent Number: Des. 404,746**

[45] **Date of Patent: **Jan. 26, 1999**

[54] **DRIVE FOR MOVING A GATE OF A GARAGE**

[75] Inventor: **Michael Hörmann**, Halle in Westfalen, Germany

[73] Assignee: **Marantec Antriebs und Steuerungstechnik GmbH & Co. Produktions KG**, Marienfeld, Germany

[**] Term: **14 Years**

[21] Appl. No.: **72,545**

[22] Filed: **Jun. 18, 1997**

[30] **Foreign Application Priority Data**

Dec. 20, 1996 [DE] Germany M 96 11 155.0

[51] **LOC (6) Cl.** **15-09**

[52] **U.S. Cl.** **D15/148**

[58] **Field of Search** D15/148, 149; 192/150; 74/89.22; 49/25, 26; D10/104, 106

[56] **References Cited**

U.S. PATENT DOCUMENTS

5,730,027 3/1998 Hormann 74/89.22

Primary Examiner—Antoine Duval Davis
Attorney, Agent, or Firm—Evenson, McKeown, Edwards & Lenahan, P.L.L.C.

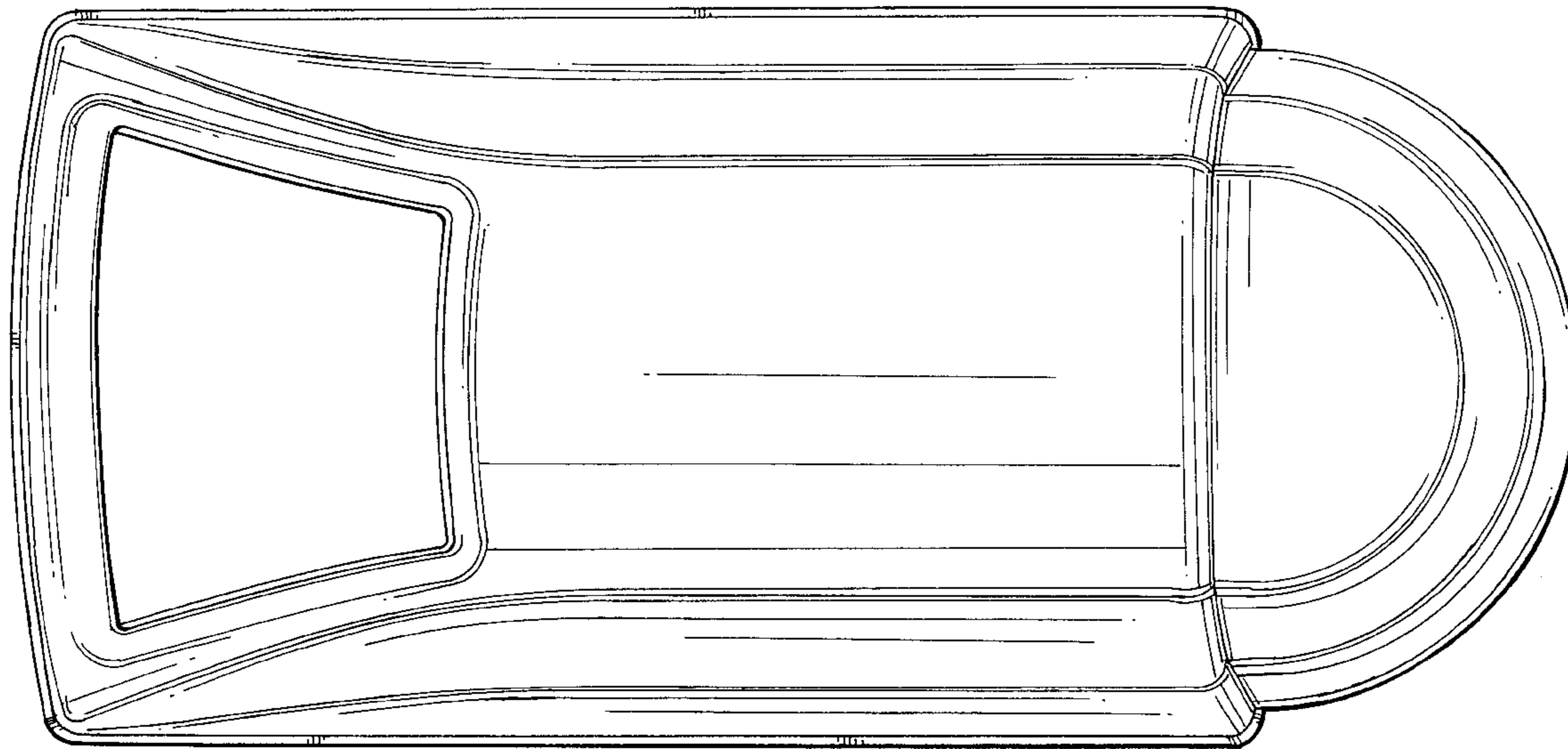
[57] **CLAIM**

The ornamental design for a drive for moving a gate of a garage, as shown and described.

DESCRIPTION

FIG. 1 is a top plan view of a first embodiment of a drive for moving a gate of a garage according to my invention; FIG. 2 is a bottom plan view thereof; FIG. 3 is a left side elevational view thereof; FIG. 4 is a right side elevational view thereof; FIG. 5 is a front elevational view thereof; and FIG. 6 is a rear elevational view thereof; FIG. 7 is a top plan view of a second embodiment of a drive for moving a gate of a garage according to my invention; FIG. 8 is a bottom plan view thereof; FIG. 9 is a left side elevational view thereof; FIG. 10 is a right side elevational view thereof; FIG. 11 is a front elevational view thereof; and, FIG. 12 is a rear elevational view thereof.

1 Claim, 10 Drawing Sheets



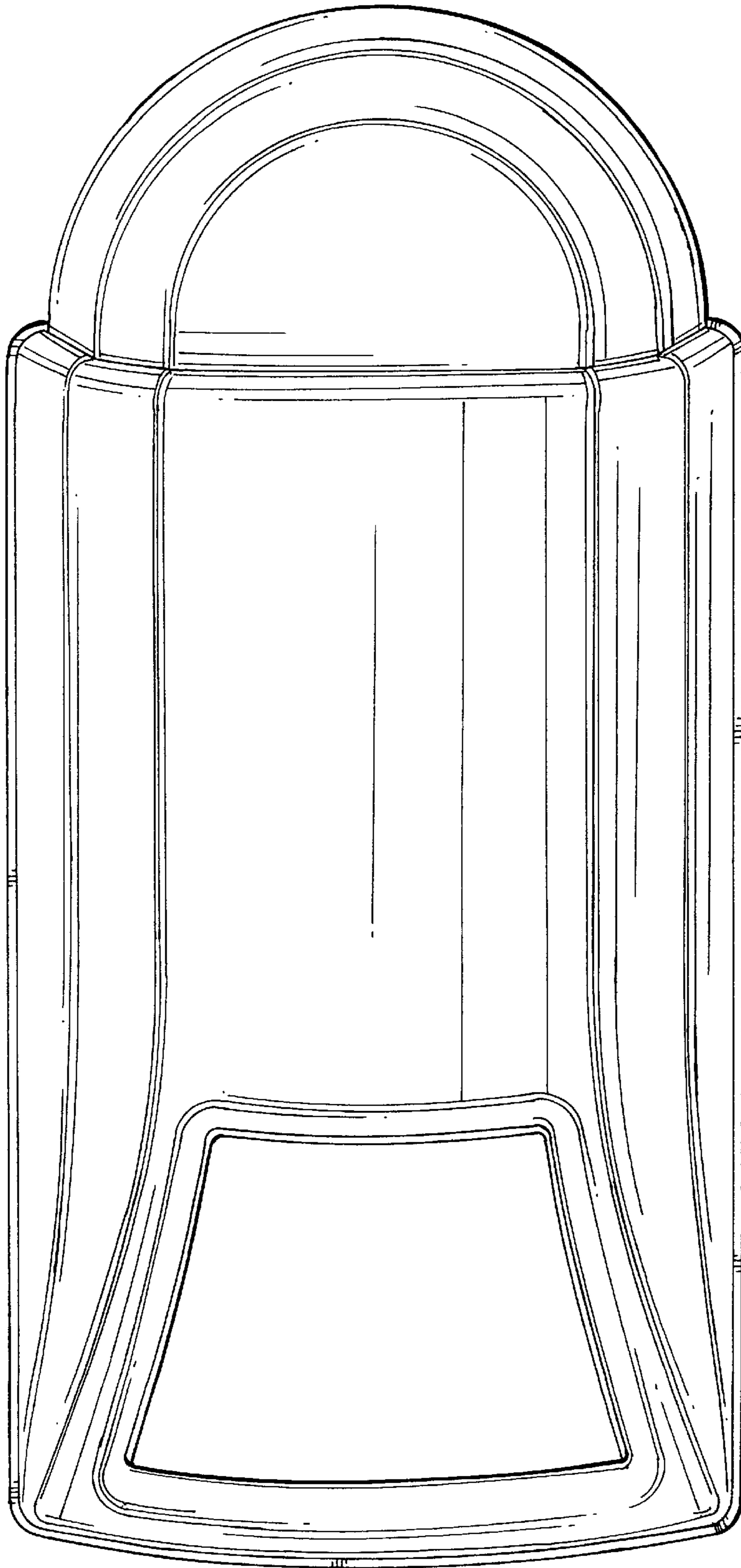


FIG. 1

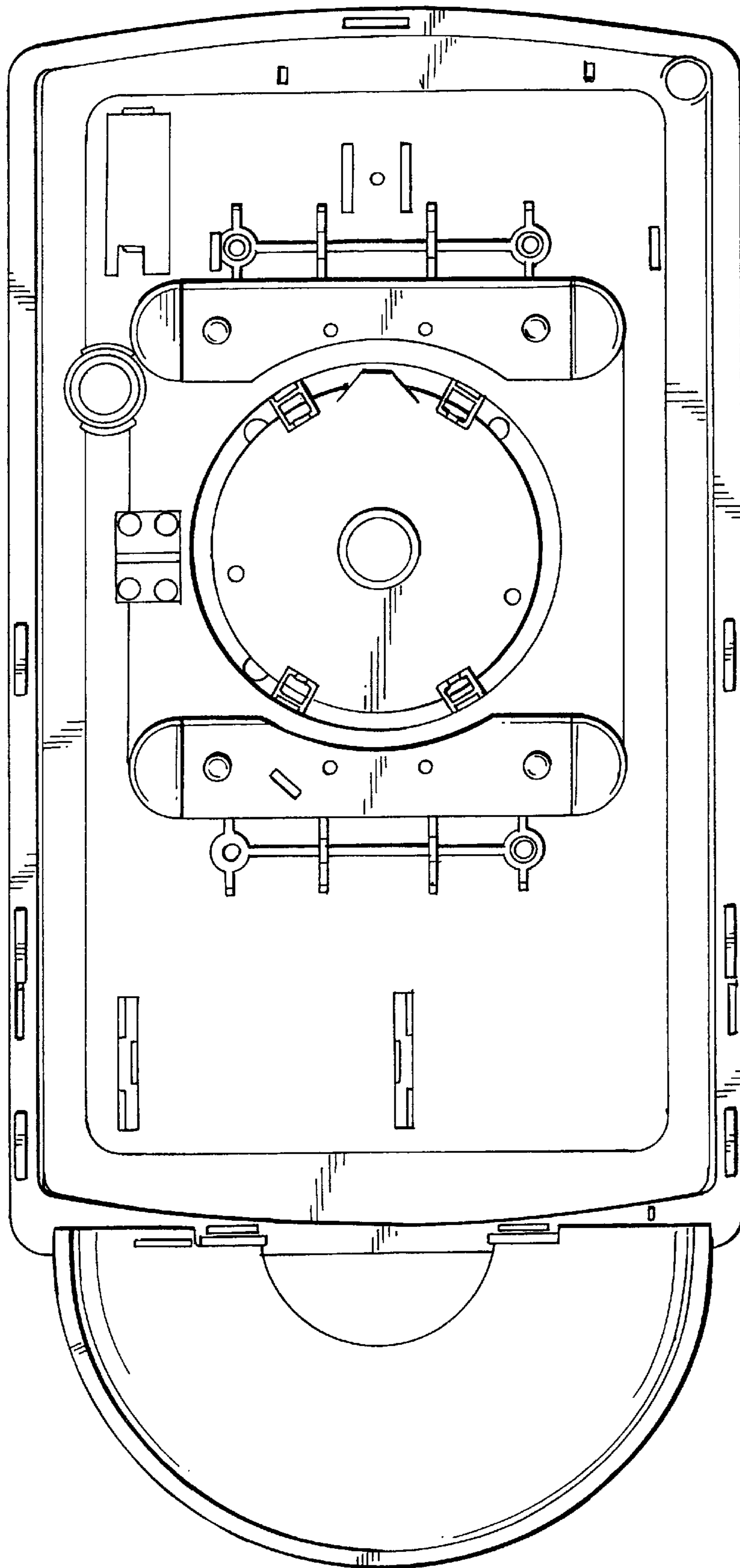


FIG. 2

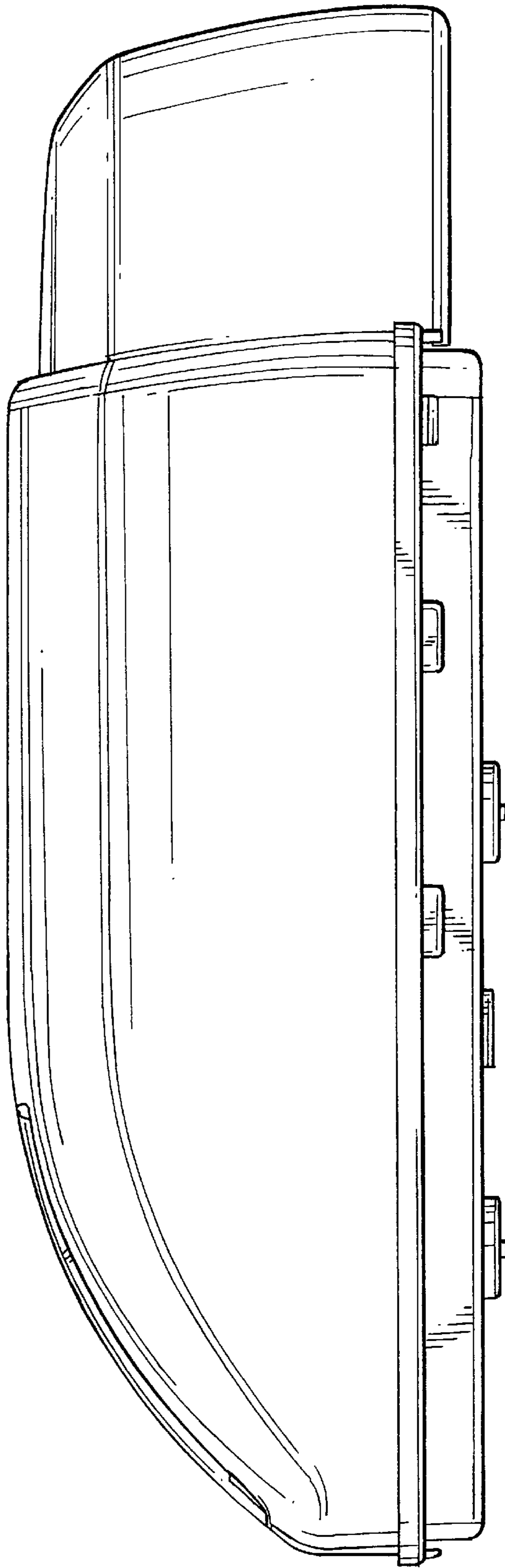


FIG. 3

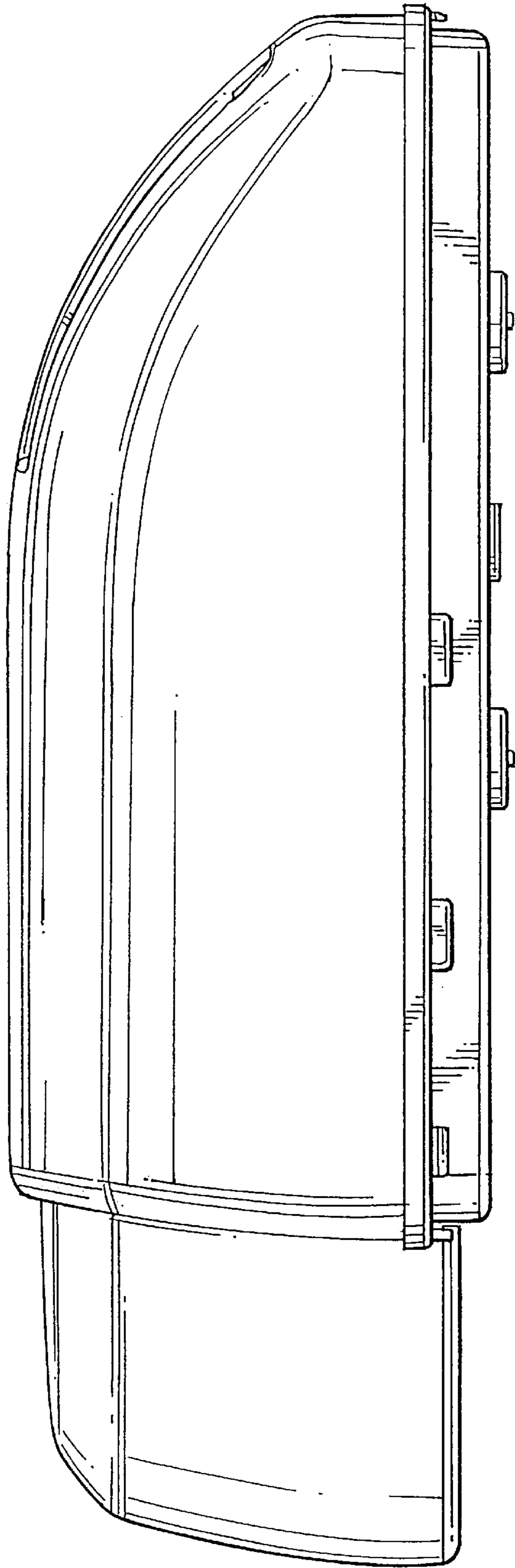


FIG. 4

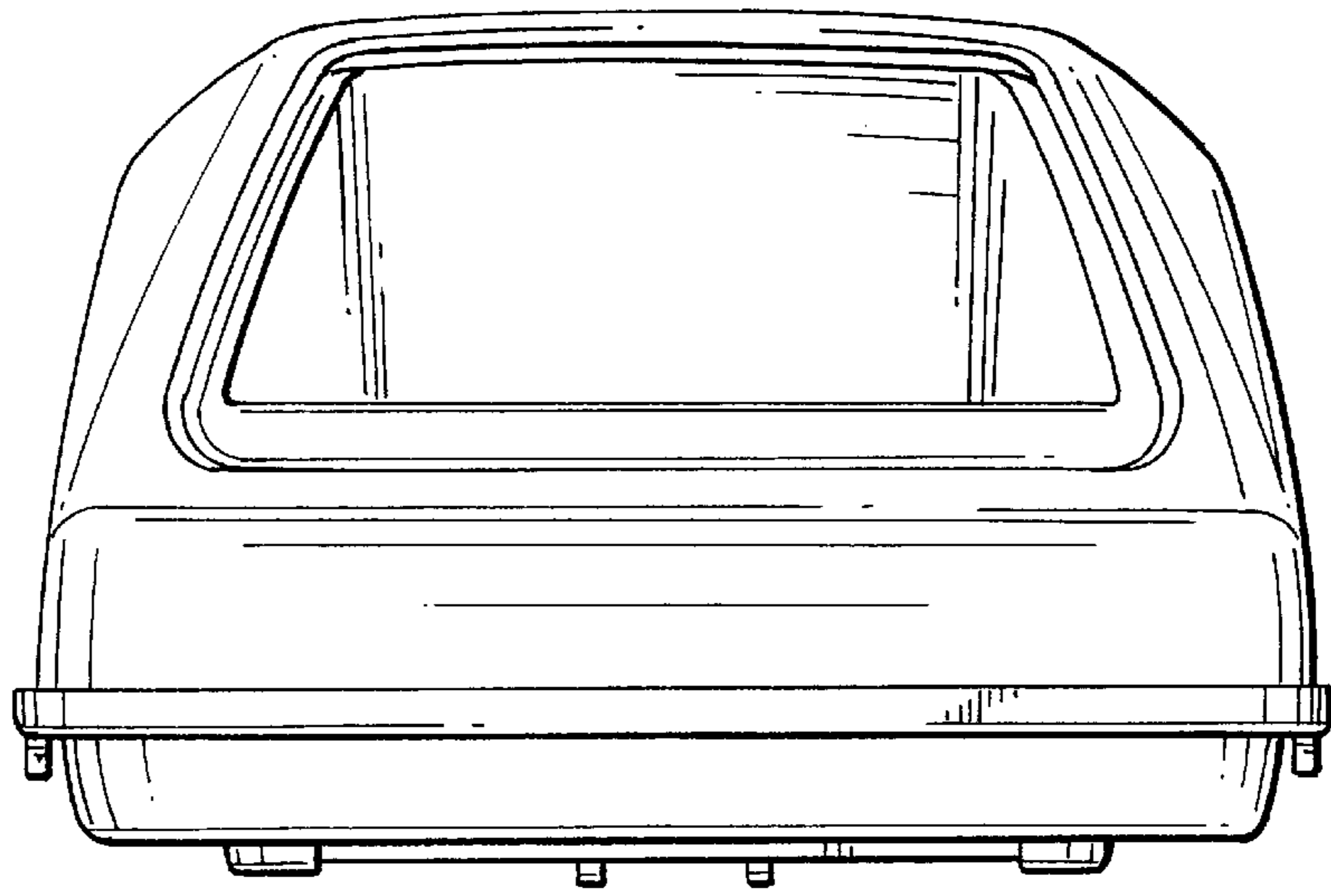


FIG. 5

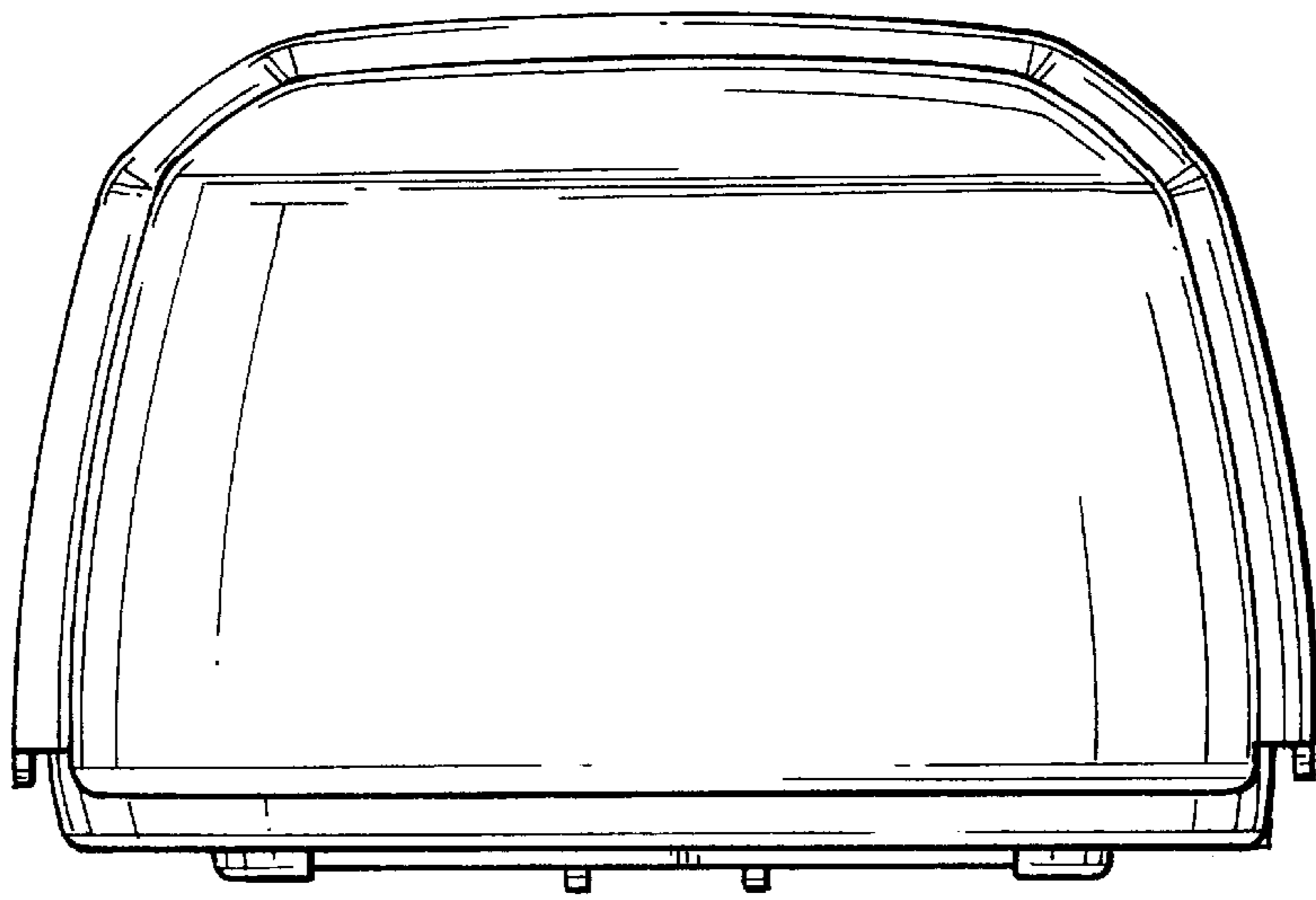


FIG. 6

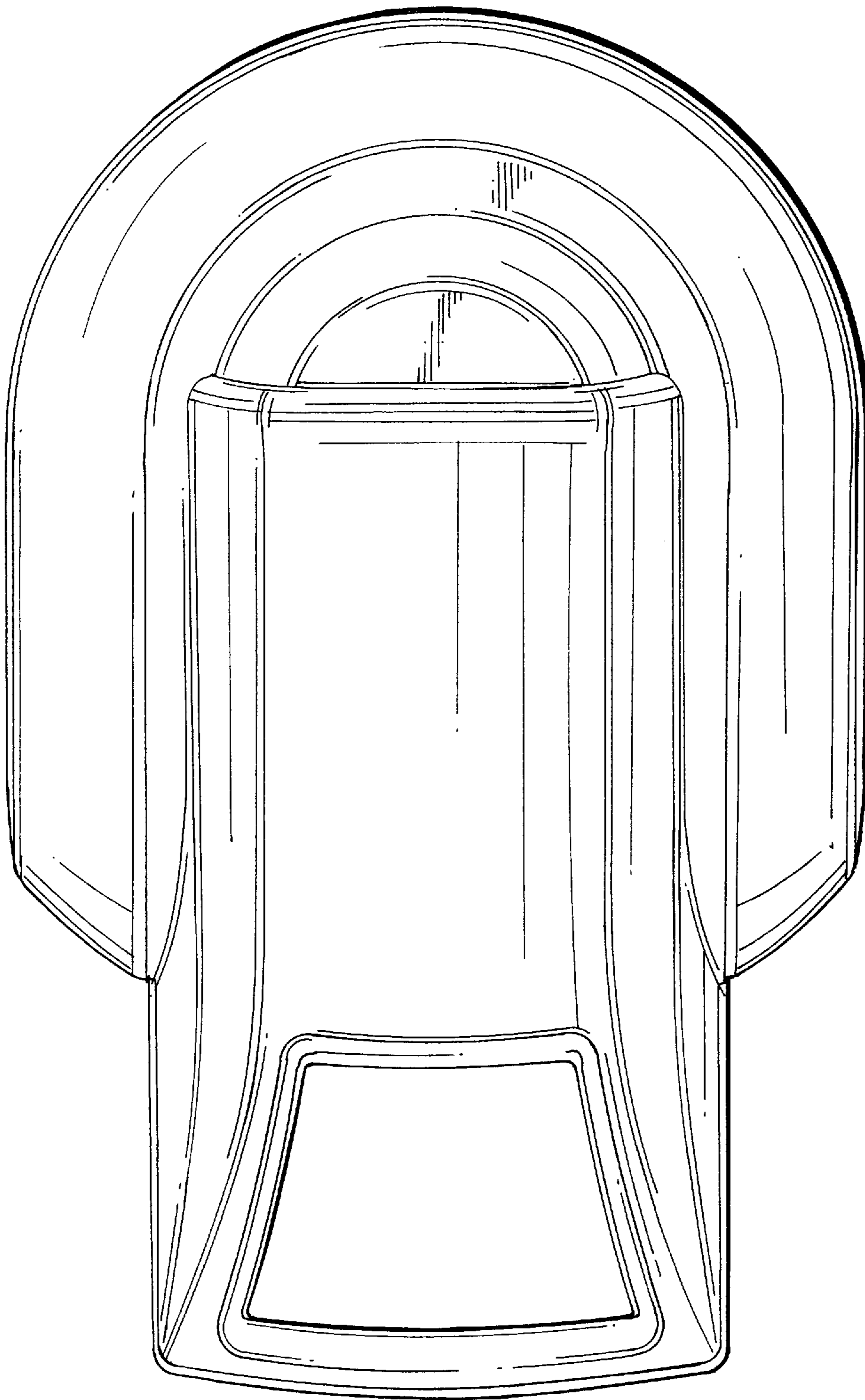


FIG. 7

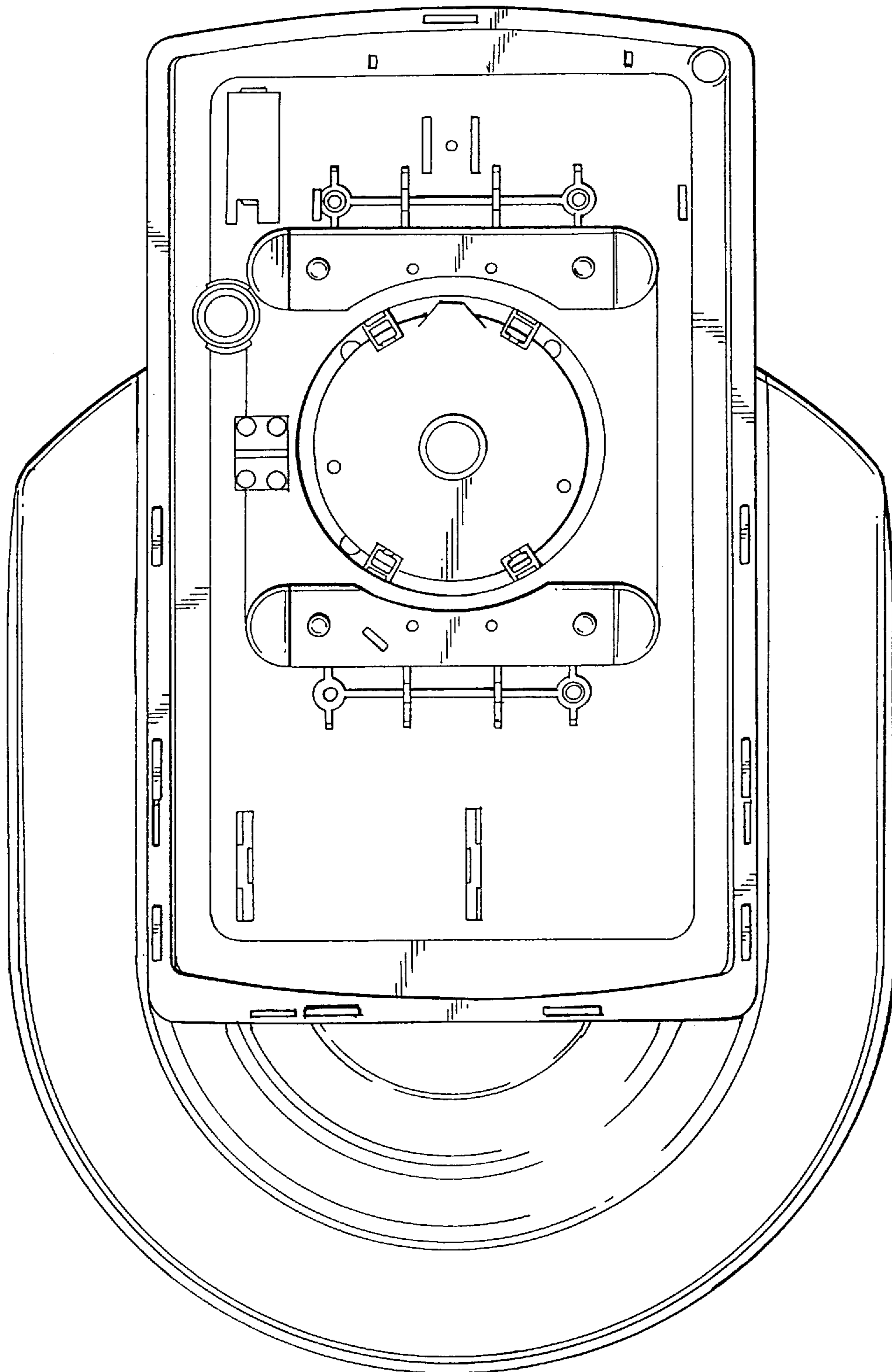


FIG. 8

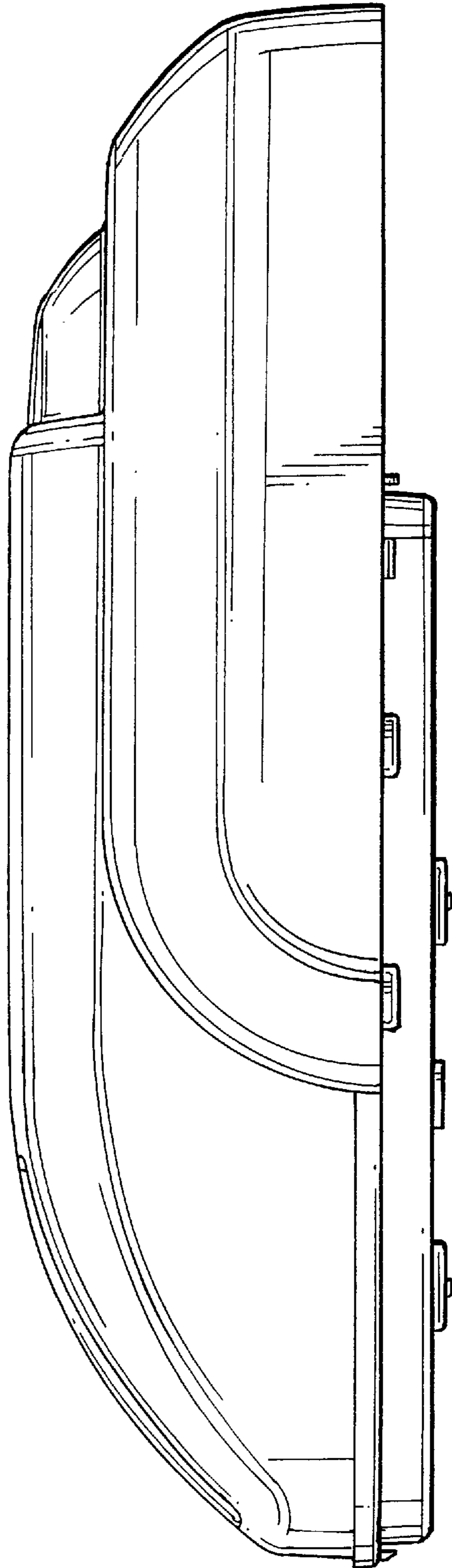


FIG. 9

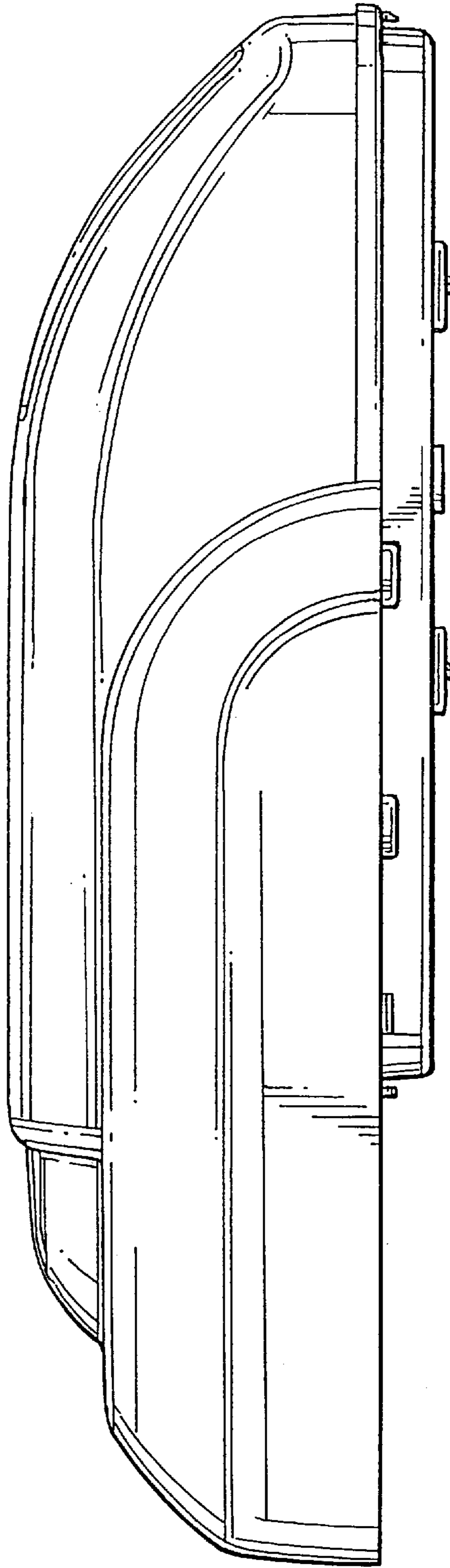


FIG. 10

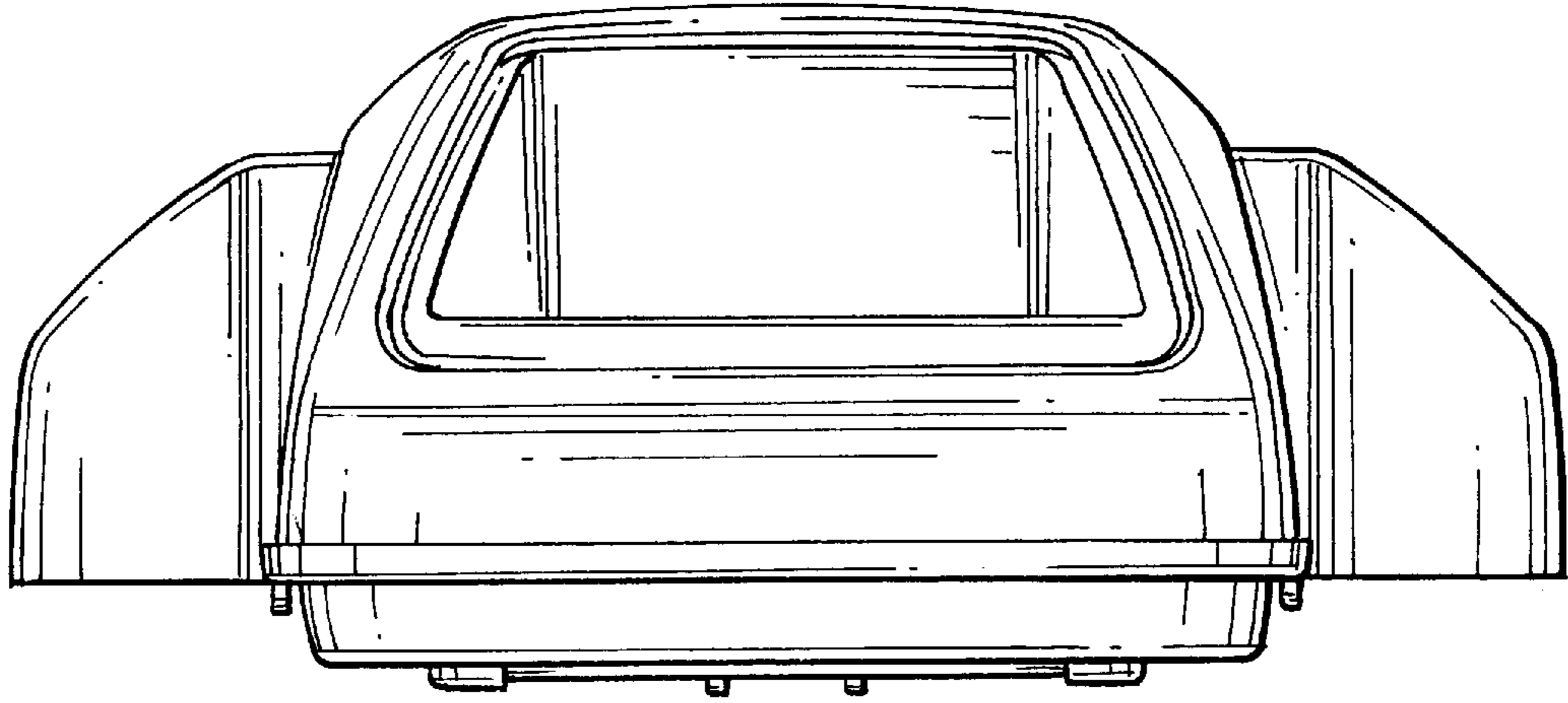


FIG. 11

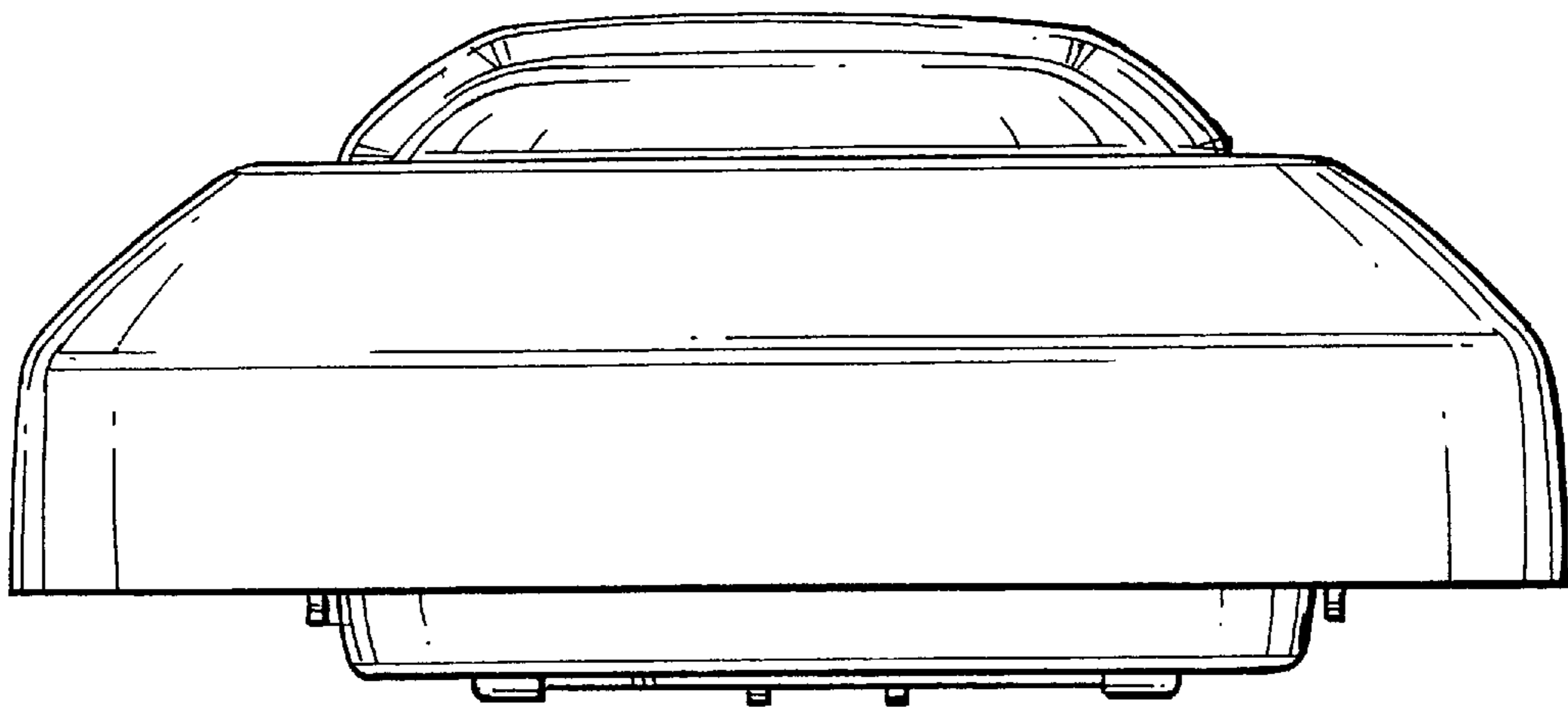


FIG. 12